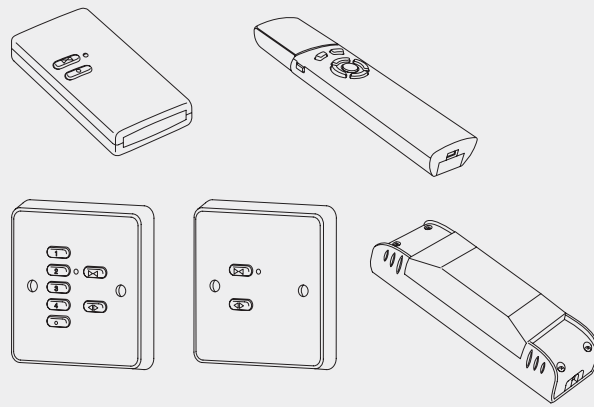


Control System

Silent Gliss® 0450 Radio Control System



Product Information

- For use with all Silent Gliss motors
- Radio controlled - no wiring from switch to control box
- Up to 255 house and 255 room addresses
- Can be retro fitted
- Simple multi-switch possibilities without complex cabling
- Control of up to 8 motor groups both individually and simultaneously from a single gang switch
- Wall switches available in either mirror polish, brushed stainless or brass finish
- Multi-channel programmable handset available
- Black pattress box as standard, white box available on request
- Range: max. 100m
- In some situations a booster may be required for distances over 15m. Ask Silent Gliss
- Pulse function allows slat tilting action on vertical and venetian blinds



0450

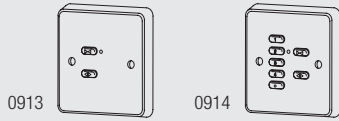
Supplied by

SG-S | Silent Gliss Spares
Silent Gliss Systems

www.sg-s.co.uk email: sales@sg-s.co.uk tel: 01395 232528

Components

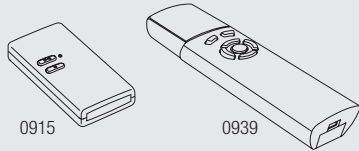
Wall mounted switches 0913/0914



0913(BS, MP or BR): Wall mounted switch single channel
 0914(BS, MP or BR): Wall mounted switch 8-channel

Wall switches are available in either mirror polish (...MP), brushed stainless (...BS) or brass (...BR)

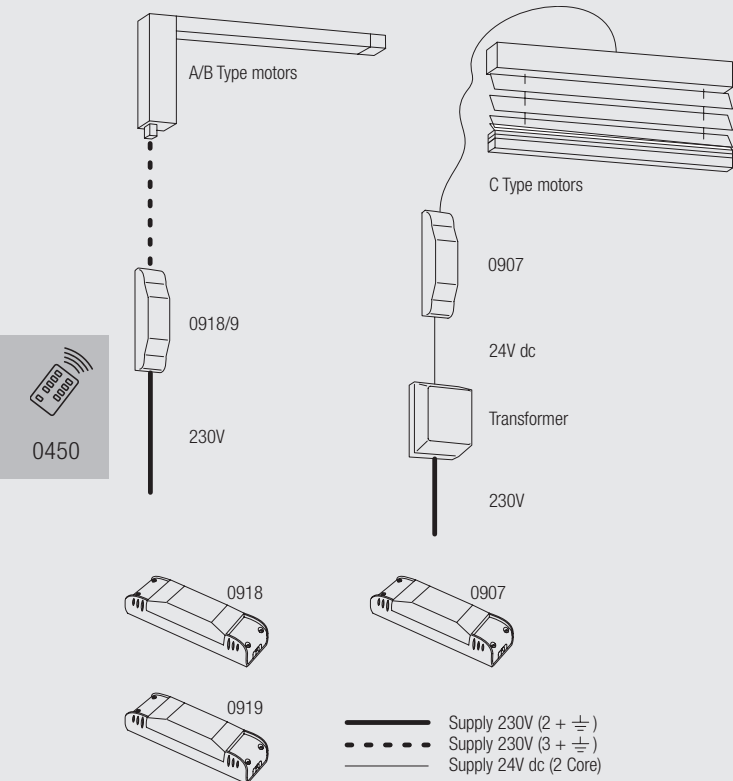
Hand held transmitters 0915/0939



0915: Hand held transmitter single-channel
 0939: Multi-channel programmable transmitter

Switches and remotes 0913 - 0916 are also compatible with motors 9021 and 9023 integrated radio receivers.

Control modules 0907/0918/0919

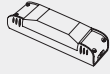


See application chart

Typical wiring installation

Standard Accessories

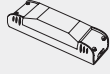
0907 Control module (motor type C)



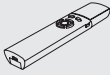
0914 Wall mounted switch 8-channel
BS Brushed Stainless/MP Mirror
Polish/BR Brass



0918 Control module (motor type A, AA)



0939 Multi-channel programmable
transmitter



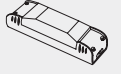
0913 Wall mounted switch single-channel
BS Brushed Stainless/MP Mirror
Polish/BR Brass



0915 Hand held transmitter single-
channel



0919 Control module (motor type B, BB)



Optional Accessories

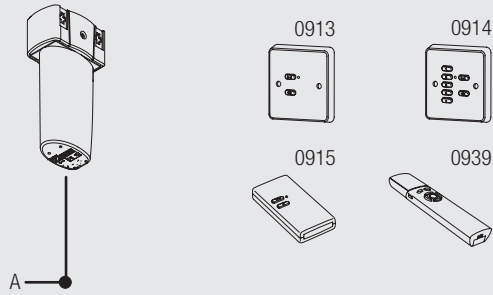
0917 White pattress box



0450

Transmitter/Receiver Combinations

Motors with integrated receivers

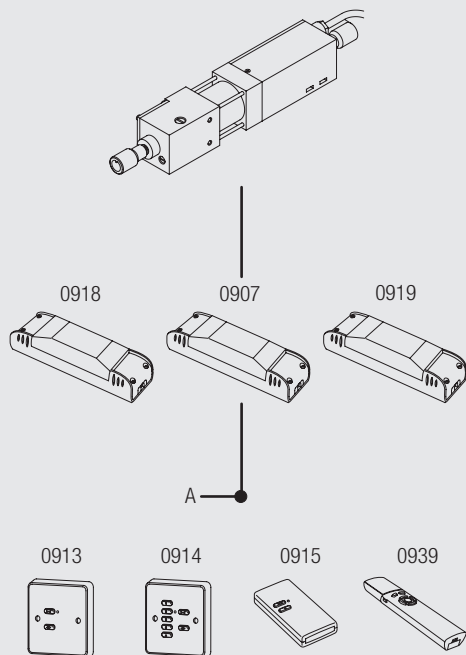


A: 230V

The following motors with integrated receivers can be operated directly with hand held transmitters Silent Gliss 0915 and 0939 and wall switches Silent Gliss 0913 and 0914.

Motor 9060 (Systems 5600)
Motor 9091EL (Systems 2650, 2950)

Motors without integrated receiver

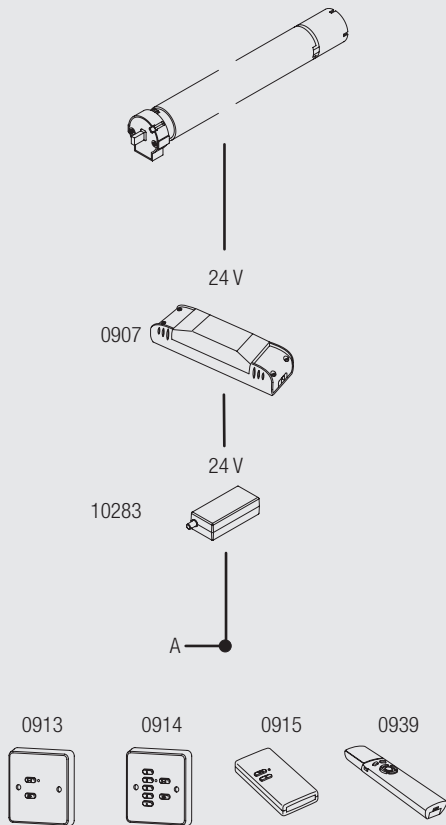


A: 230V

The following motors without integrated receivers can be operated in combination with receivers Silent Gliss 0918, 0907 or 0919:

Motor 2160 (Systems 2195, 8950)
Motor 4575 (System 4595)
Motor 10322 (Systems 2350 up to 15kg, 4550, 4960, 4880)
Motor 5360 (System 5300)
Motor 5805 (System 5800)
Motor 8605 (System 8600)
Motor 9009 (Systems 8700, 8800)
Motor 10522 (Systems 2350 up to 7.5kg, 4870)

24V motors without integrated receiver



A: 230V

The following motors (24V) without integrated receivers can be operated with receiver 0907

Motor 8060 (Systems 8250, 8500)

For specific wiring diagrams and detailed information about each motor and systems compatible with the Radio Remote Control System Silent Gliss 0450, please contact Silent Gliss.



0450

Supplied by



www.sg-s.co.uk email: sales@sg-s.co.uk tel: 01395 232528

www.silentgliss.co.uk

www.silentglissglobal.com

Silent Gliss Ltd
Pyramid Business Park
Poorhole Lane
Broadstairs
Kent
CT10 2PT
Great Britain

Tel: +44 (0) 1843 863571
Fax: +44 (0) 1843 864503
info@silentgliss.co.uk

Silent Gliss Global Ltd
Pyramid Business Park
Poorhole Lane
Broadstairs
Kent
CT10 2PT
Great Britain

Tel: +44 (0) 1843 874250
Fax: +44 (0) 1843 874457
info@silentglissglobal.com