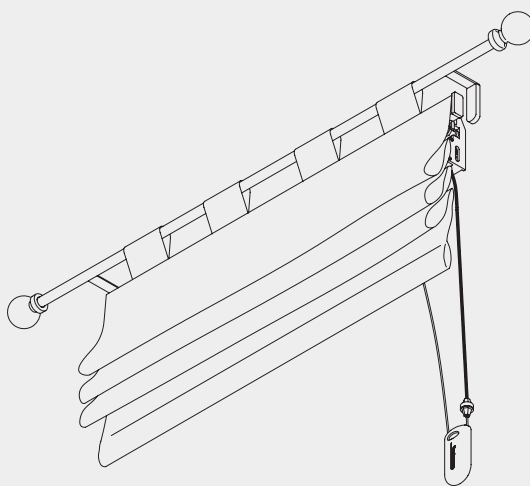


Cord Operated Roman Blind System

Silent Gliss® 2010



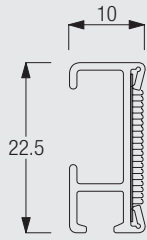
Product Information

- System 2010 is an innovation combining a Roman blind and curtain pole system.
- Suitable for light and medium weight curtains.
- A unique suspension system attached to the fabric of the Roman blind, leaving the blind to hang freely from any new or existing curtain pole.
- Patented cord lock enables movement to blind up and down vertically - no need to lock-off by pulling cord forwards or backwards.
- Fabric can be easily removed from headrail for washing/maintenance.
- 2010 is available as Metropole Roman where Metropole curtain pole, decorative finials/ midials plus fabric from our own fabric ranges are provided made-to-measure.
- Customers can also choose to supply their own curtain pole for Silent Gliss to make up Roman blinds from our own fabric ranges.
- Three heading styles of Roman blind are available; tab-top, flat or rings.
- Left or right hand operation.
- Wall or ceiling fix.



2010

Profile, Bending and Specification Information



2116

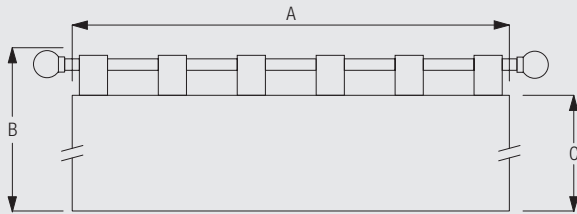


Cannot be bent

Specification Guide - download from Silent Gliss Extranet

Silent Gliss 2010 headrail system for Roman blinds. Can be combined with Silent Gliss Metropole curtain pole system or customer's own curtain pole. Ready assembled with Silent Gliss fabric, colour /for customer to attach own fabric. Headrail 2116 with bonded Velcro. Left or right hand operation with vertical cord lock 2265 and click-in cord guide 2261 and operated with cord 3637. Available with a range of heading styles; tab top, flat or with rings. Click-in plates 2269 supplied with tab top headings. With flat-top headings and rings 6057 hooks with 6007 end stops, fitted into 3016 stops in headrail 2116.

How to Measure



- A: System width (= fabric width)
- B: Height of complete system (incl. pole system)
- C: Fabric drop (without tabs, rings, etc.)

System Dimensions



2010



2m



3m



5



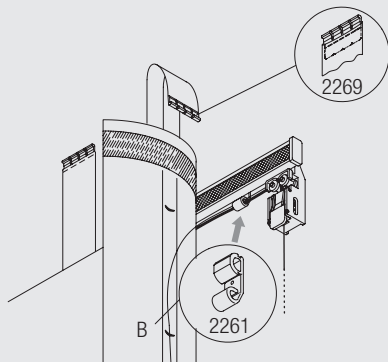
2kg

Max 1.25kg per spool

The system dimensions depend on the total fabric weight including the bottom bar, lead weight tapes and cross rods (for hard fold roman blinds). See **System Options** section of the 2100 for weight and dimension details.

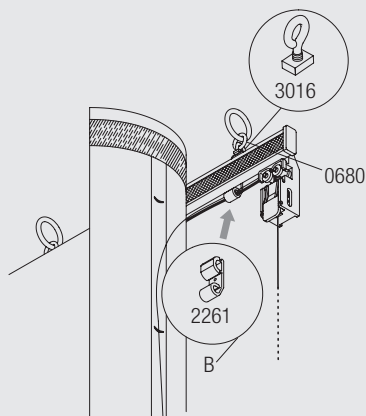
System Options

Tab-top heading



- Option uses:
- 2261 Click-in eyelet
 - 2269 Plate

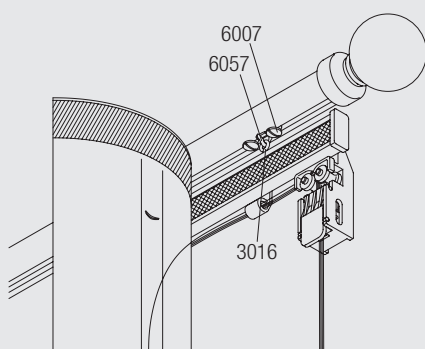
Flat heading with curtain rings (customer's own pole)



Option uses:
0680 Brass split ring
3016 Endstop

Top, (larger), ring is customer's own curtain pole ring which attaches to the endstop 3016 through the use of a brass split ring 0680.

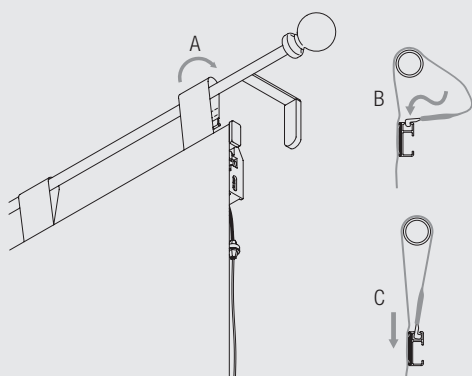
Flat heading with gliders (Metropole)



Option uses:
2261 Click-in eyelet
6057 Hook
6007 Endstops
3016 Endstop

Fitting and Sewing Information

Use of click-in plate 2269 for tab top heading option

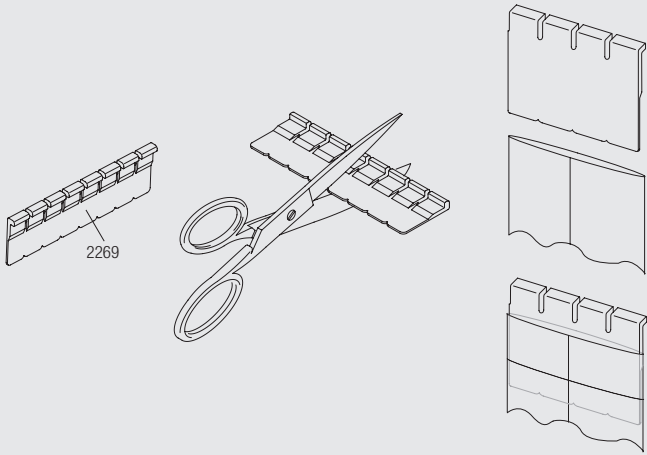


A: Hang tab over the pole
B: Click in plate 2269 into profile 2116 "upside down"
C: Tighten curtain downwards

This feature makes removal of Roman curtain from pole system very easy.

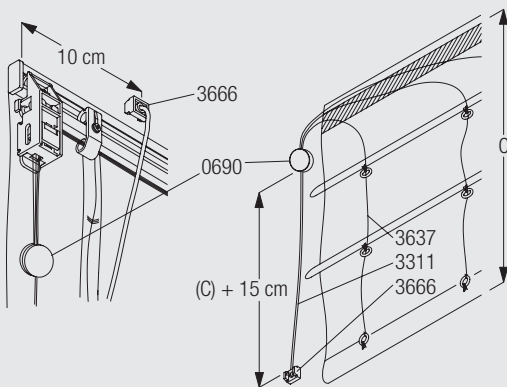


2010



Cut plate 2269 to size and sew into tab.

Make-up recommendations



0690 Cord connector
 3637 Cord (1.5mm)
 3311 Cord (2.5mm)
 3666 Cord-tidy (insert into rear of profile)

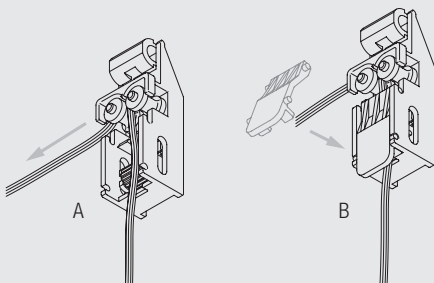
C: Total fabric drop
 (C) + 15cm: Recommended cord drop

This method avoids trailing of cords.



2010

Insertion of cords in cord lock 2265



Patented new vertical operated cord lock with easy cord insertion feature:

A: Open cover
 B: Insert cords and close cover

Parts / Accessories for all heading styles

0680 Brass ring



2006 Weight bar



2116 Velcro profile



0690 Cord connector



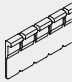




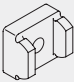




2109 Bottom ring



2131 Short endcover



2261	Cord guide		2265	Cord lock	
2269	Tab top clip in hook		3016	Endstop	
3311	Cord (ø 2.5 mm)		3340	Cord/Chain weight	
3637	Cord (ø 1.5mm)		3666	Cord tidy	
6007	Endstop		6057	Hook	

For general fabric make-up components see accessories section for 2100 system