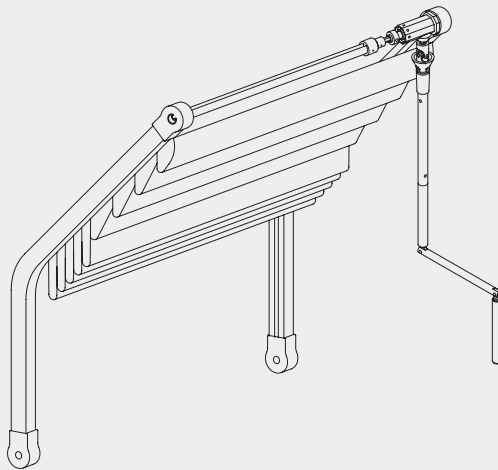


## Crank Operated Wintergarden System

# Silent Gliss® 2190



### Product Information

- Crank operated system for domestic or contract use
- Pleasing Roman blind effect with Silent Gliss technical or decorative fabrics or customers' own material
- Side guide profile standard colours: silver, white, bronze, gold and black
- Crank may be detached for security
- Left or right hand operation
- Horizontal, sloping, bent and arched applications



2190

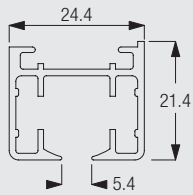
Supplied by

**SG-S** | Silent Gliss Spares  
Silent Gliss Systems

www.sg-s.co.uk email: sales@sg-s.co.uk tel: 01395 232528

## Profile, Bending and Specification Information

### Side guide profile



2191



Min. radius 200mm

Specification Information - download from [www.silentgliss.co.uk](http://www.silentgliss.co.uk) (password required).

2190 crank operated Wintergarden system ready assembled complete with drive shaft, crank handle, 2191 side guide channels and side fixed with 3825 clamps at 30cm centres. ....off.....wide x .....drop (girth) guide channels, side channels each bent .....times with cross rods at .....cm intervals.

## System Dimensions



2.5m (single)  
3m (double)



6m (single and double)



10kg



15sqm (single)  
18sqm (double)

### Max. size and weight chart

2190		kg max.	A	B	2190		kg max.	A	B
		10	1.8 m	6 m			10	2 m	5 m
		10	1.8 m	6 m			10	2 m	5 m
		10	2 m	5 m			10	2 m	5 m
		10	2 m	5 m			10	2 m	4 m
		10	2.5 m	6 m			10	2 m	4 m
		10	3 m	6 m			10	2 m	4 m

The system dimensions depend on the application, number of connected systems and the total fabric weight (including cross rods, 2579 - 0.146kg per m, 2248 - 0.32kg per m).

When a full arch the system must be centre opening.

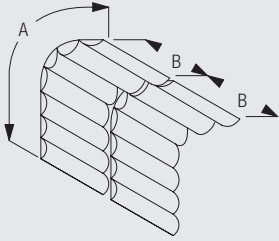
Supplied by

**SG-S** | Silent Gliss Spares  
Silent Gliss Systems

[www.sg-s.co.uk](http://www.sg-s.co.uk) email: [sales@sg-s.co.uk](mailto:sales@sg-s.co.uk) tel: 01395 232528

## System Options

### Connected systems

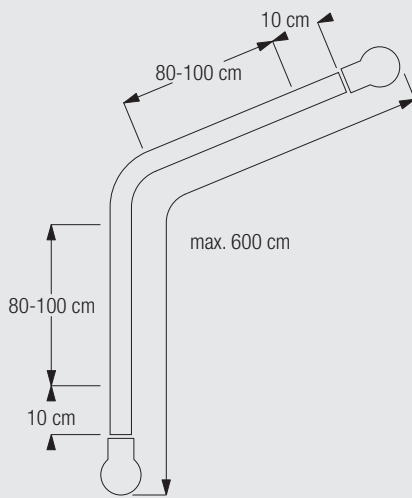


Maximum of two bays can be connected with one crank operation. The maximum system sizes are indicated in the chart under system dimensions.

Please note that the two sections can be asymmetrical but one section can never exceed a total width of 2.5 m.

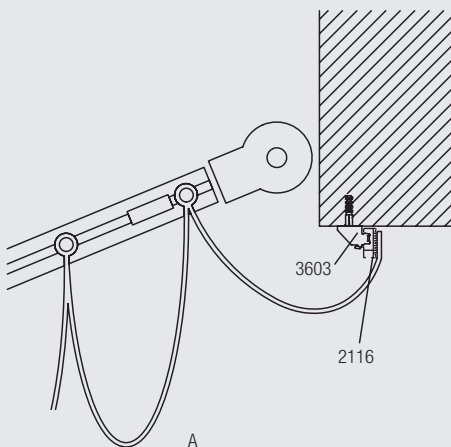
## Fitting Information

### Bracket positioning



Please fix the last bracket as close as possible (max. 10cm) to the guide returns.

### Fixing the end of the fabric



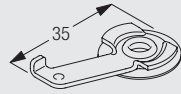
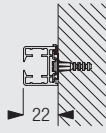
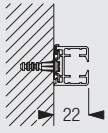
Fixing of fabric to Velcro profile 2116



2190

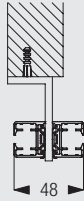
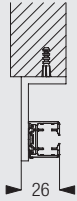
## Fitting Options

### Inside reveal fix with clamp 3825



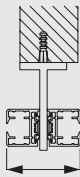
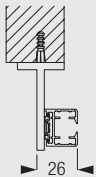
3825  
Clamp (35mm)

### Outside reveal fix with clamp 3065a



3065A  
Bracket - single  
clamp

### Outside reveal fix with clamp 3066a and 3066b (double system)



## Accessories

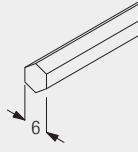


2190

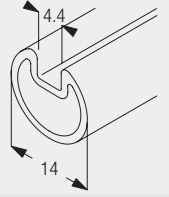
2116	Velcro profile		2111	Hexagonal bar	
2156	Drive shaft		2145	Glider	
2242	Connector		2191	Profile	
2746	Detachable crank handle		2248	Heavy duty cross rod	
3603	Top fix bracket		2759	Crossrod	
6086	Spring stop		3825	Clamp (35mm)	
3065B	Bracket - double clamp		3065A	Bracket - single clamp	

## Useful Measurements

2111 Hexagonal bar



2156 Drive shaft



2190

Supplied by



www.sg-s.co.uk email: sales@sg-s.co.uk tel: 01395 232528

[www.silentgliss.co.uk](http://www.silentgliss.co.uk)

[www.silentglissglobal.com](http://www.silentglissglobal.com)

Silent Gliss Ltd  
Pyramid Business Park  
Poorhole Lane  
Broadstairs  
Kent  
CT10 2PT  
Great Britain

Tel: +44 (0) 1843 863571  
Fax: +44 (0) 1843 864503  
info@silentgliss.co.uk

Silent Gliss Global Ltd  
Pyramid Business Park  
Poorhole Lane  
Broadstairs  
Kent  
CT10 2PT  
Great Britain

Tel: +44 (0) 1843 874250  
Fax: +44 (0) 1843 874457  
info@silentglissglobal.com