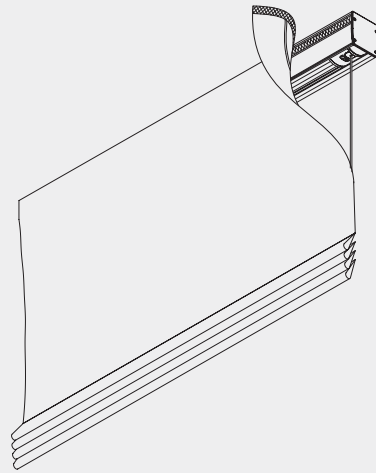


## Battery Operated Roman Blind System

# Silent Gliss® 2345



### Product Information

- Battery operated, radio controlled Roman blind system for contract and residential applications.
- Motor contained within headbox.
- Battery pack concealed behind fabric. Batteries can be easily exchanged.
- Long lasting battery life, up to three years (depending on usage, system size, fabric and battery type, room temperature)
- A revolutionary cord release mechanism combined with velcro tape fixing makes maintenance and cleaning of fabric easy.
- Easy ceiling or wall fix to all surfaces.
- Compliant with Child Safety Legislation (EN13120).



2345

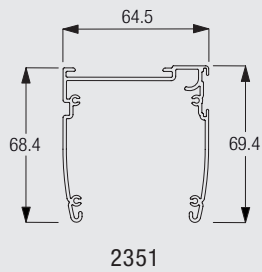
Supplied by

**SG-S** | Silent Gliss Spares  
Silent Gliss Systems

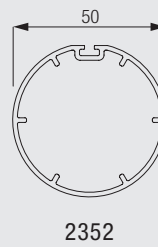
www.sg-s.co.uk email: sales@sg-s.co.uk tel: 01395 232528

## Profile and Bending Information

### Cassette



### Winding Tube



**Specification Guide** - download from [www.silentgliss.co.uk](http://www.silentgliss.co.uk) (password required). Silent Gliss 2345 battery operated Roman blind system ready-assembled in aluminium headbox 2351 complete with winding tube 2352, lift cord 2216 and cord release mechanism 2353/2354. Ceiling/face fix using universal bracket 2363 at 80cm centres.

## System Dimensions



6m



60cm



6m



2.5kg  
(incl. bottom bar and rods)

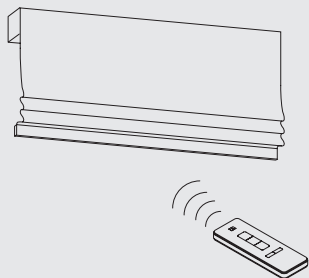
The system dimensions depend on the total fabric weight including the bottom weight bar and the cross rods (if hard fold).

## System Features



2345

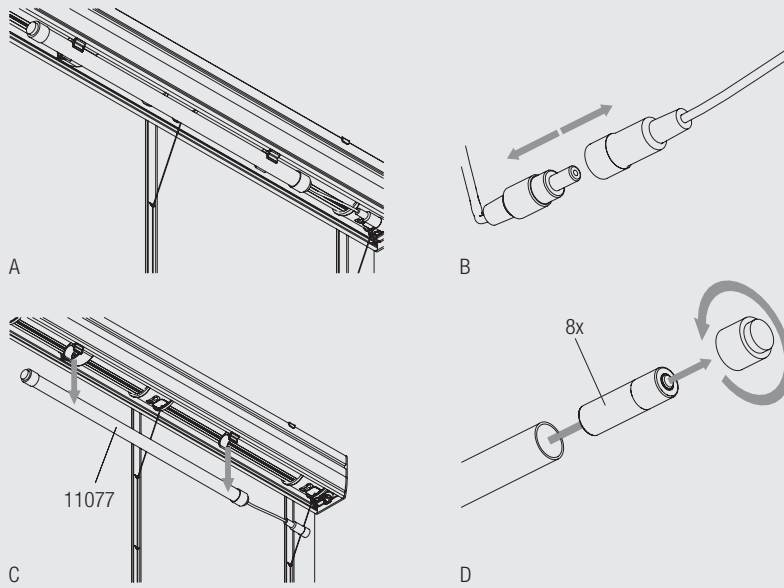
### Radio hand-held and wall controls



The motor SG 11076 features an integrated radio receiver. Combined with radio remote controls and wall switches, this system offers the benefits of motorised operation without wiring.

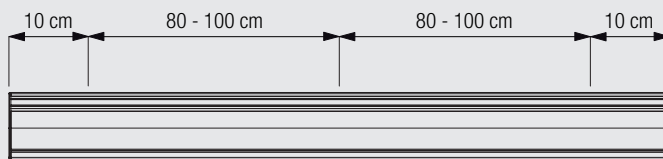
**Note:** The blind is supplied as standard with a WALL SWITCH, hand held remotes can be purchased separately, refer to Optional Accessories.

## Battery exchange

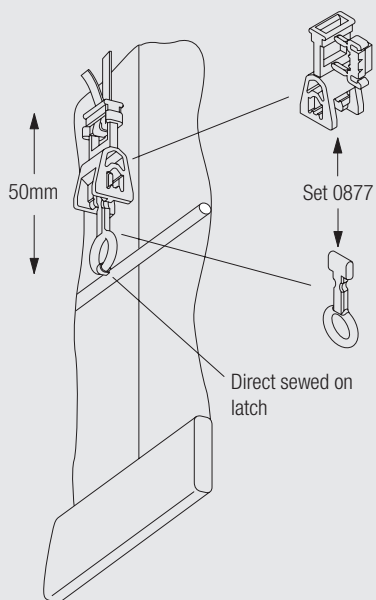


## Fitting and Sewing information

### Bracket Positioning



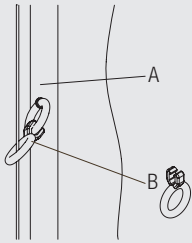
### Fixing of cords / tapes



Using Breakaway Bottom Bar Set 0877

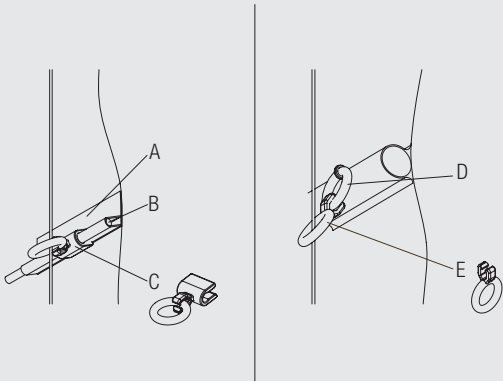


2345



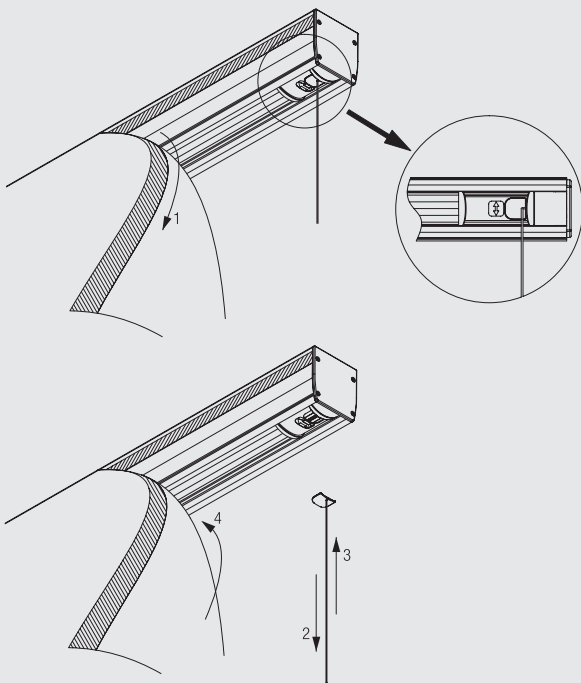
Soft fold:  
 A: Breakaway Ring Tape Set 0879  
 B: Set includes Child Safety Eyelet

Note: The Breakaway Ring Set is available without tape (part number 0878).



Hard fold:  
 A: Tape 2136  
 B: Steel rod 2135  
 C: Child Safety Eyelet (hard fold) 3069  
 D+E: Breakaway Ring Set 0878

### Easy Washing / Easy Maintenance through Cord Release Mechanism



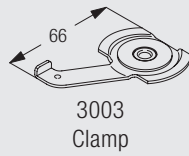
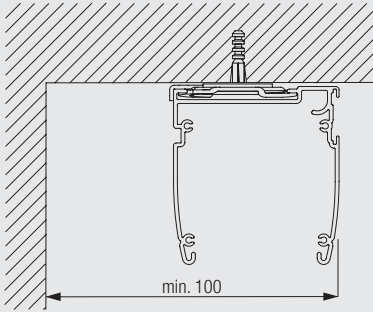
With the new developed cord release mechanism, taking down of the fabric becomes very easy.

- 1: Remove fabric from the hook and loop tape when the blind is in down position of blind
- 2: Take off the pins by pulling on the lift cord
- 3: After washing, just press pins back to the shell
- 4: Refix fabric to the hook and loop tape on profile

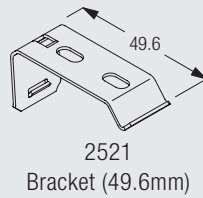
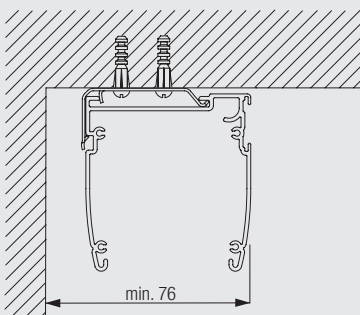


## Fitting Options

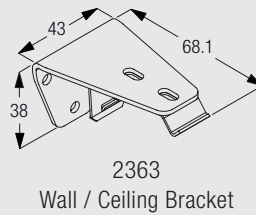
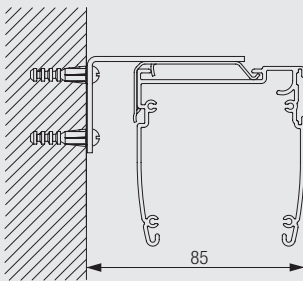
### Ceiling fitting with clamp 3003



### Ceiling fitting with bracket 2521

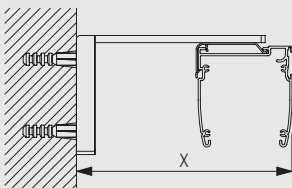


### Ceiling / Wall fitting with bracket 2363

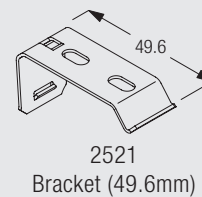
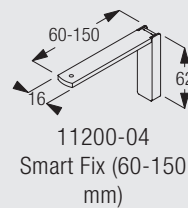


The ceiling fixing with the Bracket 2363 is according to the ceiling fixing with the Bracket 2521.

### Wall fitting with Smart Fix 11200-11204 and bracket 2521

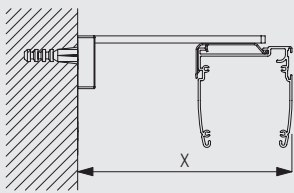


	X (mm)
11200	80-84
11201	100-104
11202	120-124
11203	140-144
11204	170-174

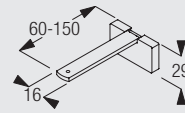


Brackets feature thread for screw SG 10395 (M4x6) for fixing bracket SG 2521.

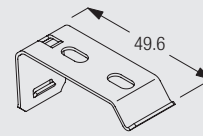
## Wall fitting with Square Smart Fix 11210-11214 and bracket 2521



	X (mm)
11210	80-84
11211	100-104
11212	120-124
11213	140-144
11214	170-174



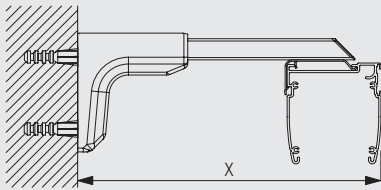
11210-14  
Square Smart Fix  
(60-150 mm)



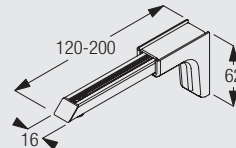
2521  
Bracket (49.6mm)

Brackets feature thread for screw SG 10395 (M4x6) for fixing bracket SG 2521.

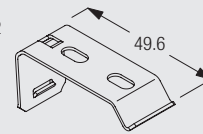
## Wall fitting with Universal Smart Fix 11154-11156 and bracket 2521



	X (mm)
11154	134-162
11155	164-192
11156	214-242



11154-56  
Universal Smart Fix  
(120-200 mm)



2521  
Bracket (49.6mm)

Brackets feature thread for screw SG 10492 (M4x8) for fixing bracket SG 2521.

## Standard Accessories

2216 Cord



2221 Hook and loop tape



2351 Profile



2352 Profile



2353 Motor Cover



2354 Cover



2357 Pin



2358 Shell



2359 Support



2361 Adapter



2363 Wall / Ceiling Bracket



2368 Motor adapter plate



3003 Clamp



3069 Breakaway rod cover (hard fold)



10949 Radio wall transmitter, 1 channel



11071 Motor drive



11074 Tube adapter



11076 Motor, 1.2 Nm



11077 Battery box



11085 Battery box holder



2345

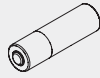
Supplied by

**SG-S** | Silent Gliss Spares  
Silent Gliss Systems

www.sg-s.co.uk email: sales@sg-s.co.uk tel: 01395 232528

Silent Gliss®

11099 Alkaline AA battery



## Optional Accessories

2004 Bottom bar



2006 Weight bar



2362 Wire Holder



2521 Bracket (49.6mm)



8235 Wire base short



8236 Wire base long



8237 Wire holder



8249 Locking ring



10946 Radio hand-held transmitter, 1 channel



10947 Radio hand-held transmitter, 2+1 channel



10948 Radio hand-held transmitter, 6+1 channel



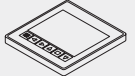
10950 Radio wall transmitter, 2 channel



10951 Radio wall transmitter, 5+1 channel



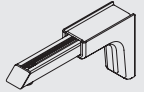
11092 Single Channel Timer (Radio)



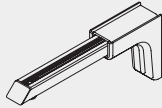
11093 Multi-Channel Radio Control Timer



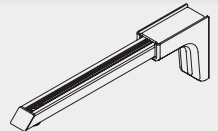
11154 Universal Smart Fix, 120 mm set



11155 Universal Smart Fix, 150 mm set



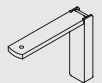
11156 Universal Smart Fix, 200 mm set



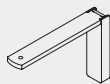
11200 Smart Fix, 60 mm set



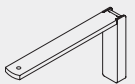
11201 Smart Fix, 80 mm set



11202 Smart Fix, 100 mm set



11203 Smart Fix, 120 mm set



11204 Smart Fix, 150 mm set



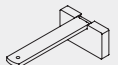
11210 Square Smart Fix, 60 mm set



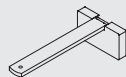
11211 Square Smart Fix, 80 mm set



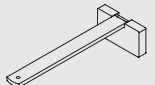
11212 Square Smart Fix, 100 mm set



11213 Square Smart Fix, 120 mm set



11214 Square Smart Fix, 150 mm set



3133L Extended bracket cover for 3137/8/9



2345


## Sewing Accessories

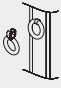
2135 Steel rod



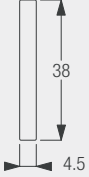
2136 Rod Tape

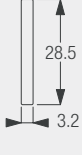


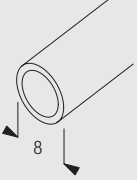
3069	Breakaway rod cover (hard fold)	
3165	Breakaway ring set for soft fold (was 0878)	

3164	Breakaway bottom bar set (was 0877)	
3166	Breakaway ring tape for soft fold (was 0879)	

## Useful Measures

2004	Bottom Bar	
------	------------	---

2006	Bottom Bar	
------	------------	---

2144	Profile	
------	---------	---



2345

Supplied by

**SG-S** | Silent Gliss Spares  
Silent Gliss Systems

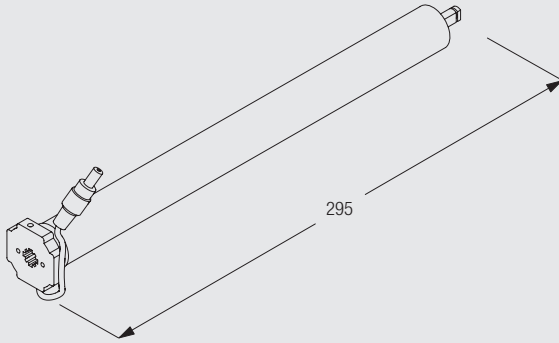
www.sg-s.co.uk email: sales@sg-s.co.uk tel: 01395 232528

Silent Gliss®



## Motor & Controls

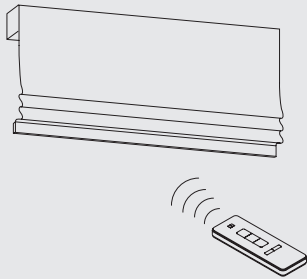
### Motor Silent Gliss 11076



- Voltage: DC 12 V
- Torque: 1.2 Nm
- Speed: 30 rpm
- Power: 6.6 W
- Current: 550 mA

### Operation Methods

Radio hand-held and wall controls



The motor SG 11076 features an integrated radio receiver. Combined with radio remote controls and wall switches, this system offers the benefits of motorised operation without wiring.

**Note:** The blind is supplied as standard with a WALL SWITCH, hand held remotes can be purchased separately, refer to Optional Accessories.



2345

Supplied by



www.sg-s.co.uk email: sales@sg-s.co.uk tel: 01395 232528

[www.silentgliss.co.uk](http://www.silentgliss.co.uk)

[www.silentglissglobal.com](http://www.silentglissglobal.com)

Silent Gliss Ltd  
Pyramid Business Park  
Poorhole Lane  
Broadstairs  
Kent  
CT10 2PT  
Great Britain

Tel: +44 (0) 1843 863571  
Fax: +44 (0) 1843 864503  
info@silentgliss.co.uk

Silent Gliss Global Ltd  
Pyramid Business Park  
Poorhole Lane  
Broadstairs  
Kent  
CT10 2PT  
Great Britain

Tel: +44 (0) 1843 874250  
Fax: +44 (0) 1843 874457  
info@silentglissglobal.com