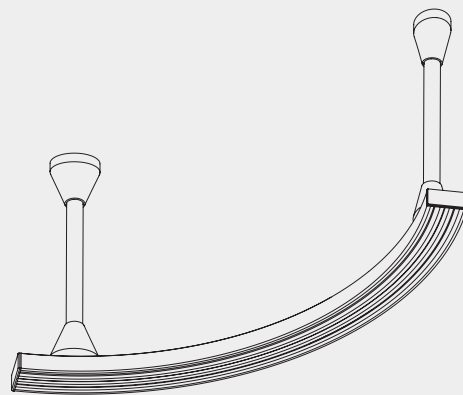


Panel Glide System

Silent Gliss® 2760



Product Information

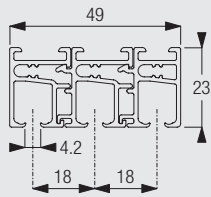
- Innovative suspended Panel Glide system that can be curved
- Ideal for rooms with uneven ceilings or where ventilation is needed
- A truly unique system of three or more sliding panels
- Flexible carriers allow smooth and silent operation
- System adjusts to almost every possible room situation due to bendable tracks and flexible carriers
- Hand or draw rod operated
- Panels are easily removed for cleaning
- Can be bent to a minimum radius of 15cm
- Wide selection of Silent Gliss fabrics available for this system



2760

Profile and Bending Information

3 Channel Profile

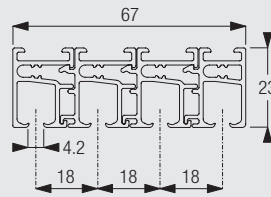


10133



15cm

4 Channel Profile

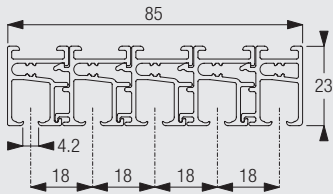


10134



15cm

5 Channel Profile



10135



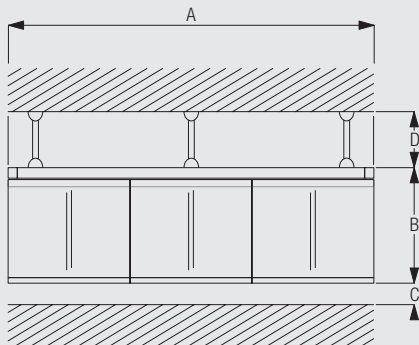
15cm

Specification Guide - download from www.silentgliss.co.uk (password required). Silent Gliss 2760 system complete and assembled comprising tracks 10133/10134/10135 as necessary with carrier 10180, bottom weight 10233 and all necessary fittings to provide a fully working sliding panel systemm o/a drop arranged to stack right hand single/left hand single/pair/centre stack, hand operated with fabric Detail specification to be agreed between architect/interior designer/contractor and Silent Gliss Ltd.

How to Measure & Panel Dimensions

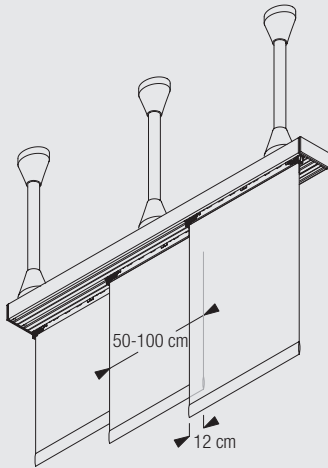


2760



- A: System width
- B: System height
- C: Distance between panel and floor: 15mm
- D: Hanger height

Dimension of Panels



Panels are suspended from flexible carrier 10180 in the profile channel. The width of the fabric panel can be varied but is normally between 50-100cm for flexibility. The overlap of 12cm is fixed. Panels should not exceed 2kg per metre including lead weight.

Note: the minimum stack size on a single stack will be the width of one panel. For pair stack it will be width of one panel on each side.

System Dimensions



unlimited (unconnected panels)
6m (connected panels)



3m



max. 200g per roller glider (incl. weight bar)

The system dimension depends mainly on the operation method and the fabric weight.

For hand operated (unconnected panels), the system length is unlimited.

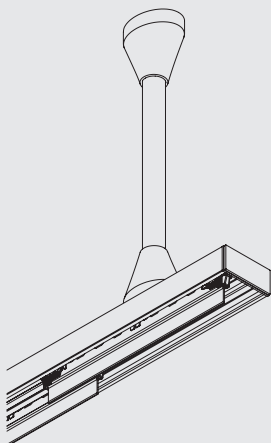
The maximum drop of the system should not exceed 3m (top of profile to bottom of fabric panel).

Operating Methods, Stacking Variations & Layout/System Options



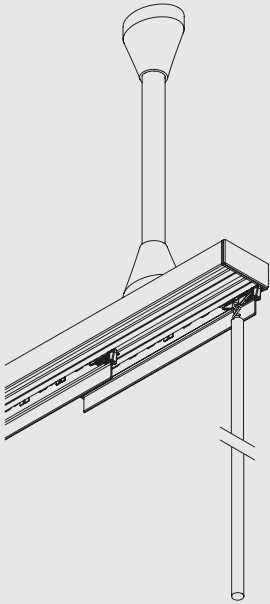
2760

Hand operated (unconnected panels)



Draw rods optional.

Hand operated by draw rod (connected panels)



Single stack right or left (open / closed)



Centre stack (open / closed)



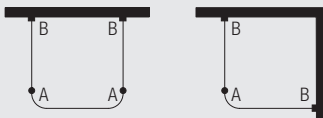
Pair stack (open / closed)



2760

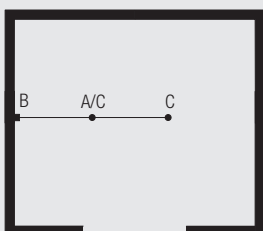
Other variations are possible. Same splitting for curved profiles.

Corner and wall application



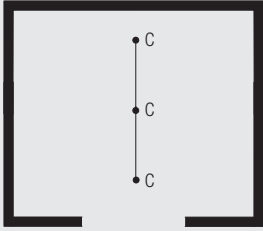
A: Hanger 10356
B: Wall bracket 10333, 10334 or 10335

Straight application with wall bracket



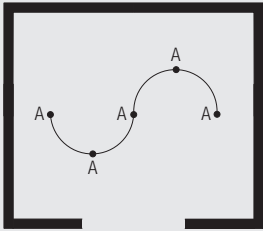
A: Hanger 10356
B: Wall bracket 10333, 10334 or 10335
C: V-Hanger 10357

Straight application without wall bracket



C: V-Hanger 10357

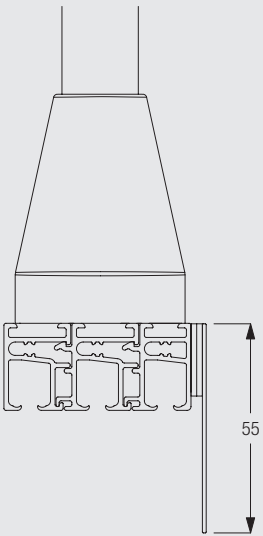
Application with s-shape form



A: Hanger 10356

Other variations are possible.

Fascia option



The fascia option allows you to cover the profile and workings of the system in an elegant way.

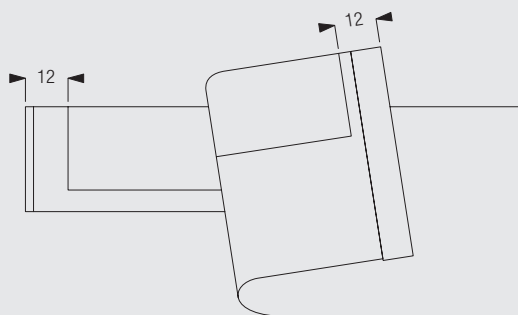
The fascia components are:

- 10399 Fascia
- 10398 Magnetic tape for fascia
- 10396 End cap for fascia

Fascia height is 55mm.



2760



Distance from magnetic tape 10398 to the end of profile/fascia is 12mm.

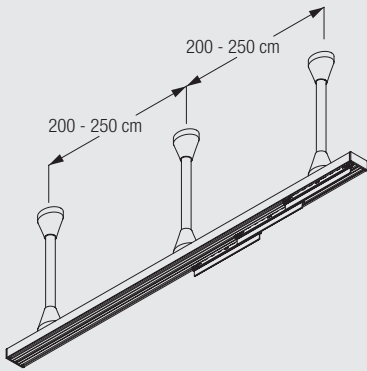
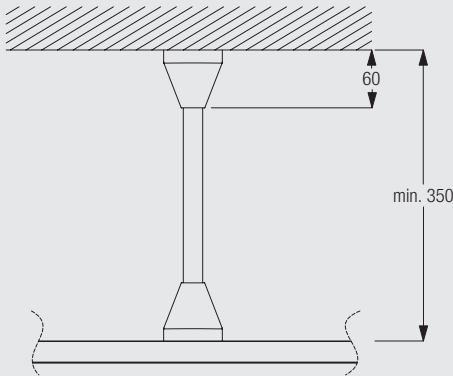
Fitting Information

Hanger Positioning

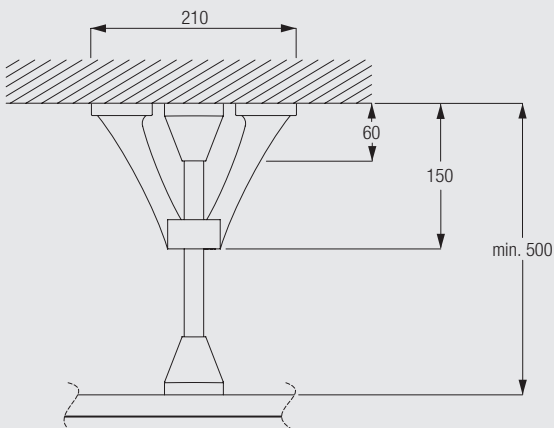


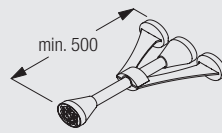
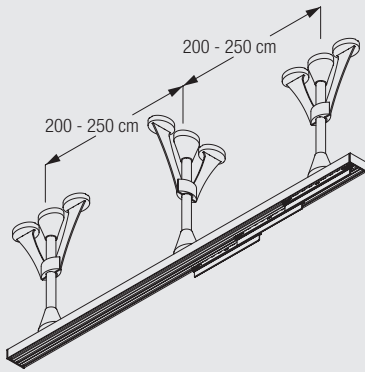
Fitting Options

Ceiling fix with hanger 10356



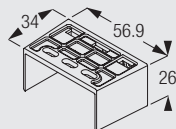
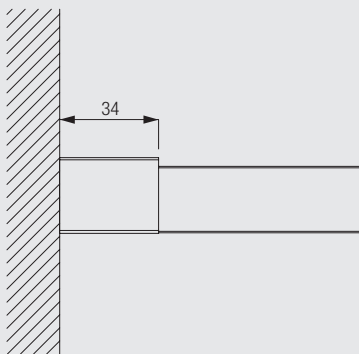
Ceiling fix with V-hanger 10357



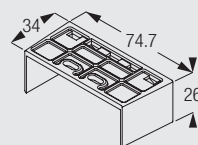


10357
V-Hanger, assembled

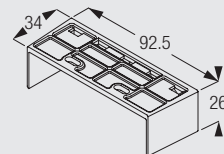
Wall fix with brackets 10333, 10334 or 10335



10333
Wall bracket



10334
Wall bracket





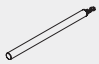
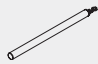
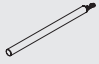
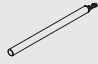
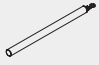


10335
Wall bracket









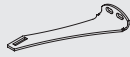



Standard Accessories

10076	Fabric weight		10133	Profile (3 channel)	
10134	Profile (4 channel)		10135	Profile (5 channel)	
10156	End stop (with screw)		10163	Cover (for 3 channel profile)	
10164	Cover (for 4 channel profile)		10165	Cover (for 5 channel profile)	
10167	Clip left		10168	Clip right	
10177	Connection bridge		10179	Profile	
10180	Flexible carrier		10196	Eylet for draw rod	
10200	Roller		10233	Lead weight 100 gr/m	
10234	Fabric weight glass		10237	Clip holder with roller	
10239	Angle left with roller		10241	Angle right with roller	

2760


10243	Angle (with screw)		10244	Slider	
10395	Pan head screw M4x6		10407	Pan head screw M4x10	
10430	Draw rod with hook, 50cm		10431	Draw rod with hook, 75cm	
10432	Draw rod with hook, 100cm		10433	Draw rod with hook, 125cm	
10434	Draw rod with hook, 150cm				


Sets


10356	Hanger rod assembly, comprising		10160	Slot nut	1	
			10330	Cover	1	
			10331	Console with right hand threads	1	
			10332	Console with left hand threads	1	
			10336	Profile	1	
			10349	Connector with right hand threads	1	
			10350	Connector with left hand threads	1	
10357	V-Hanger Assembly, comprising Comprises parts as for hanger rod assembly (above) , plus these additional parts:		10352	Cover	1	
			10353	Bracket	1	
			10354	Sleeve	1	
			10355	Lock	1	
10333	Wall Brackets 3 channel, comprising		10160	Slot nut	2	





2760

10333 Wall bracket 1 


10334 Wall Bracket 4 channel, comprising 10160 Slot nut 2 

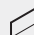
10334 Wall bracket 1 

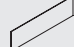
10335 Wall Bracket 5 channel, comprising 10160 Slot nut 2 

10335 Wall bracket 1 


Optional Accessories


10396 End cap for fascia 

10398 Magnetic tape for fascia, 19mm 

10399 Fascia 

Useful Measurements

10160 Slot nut 

10177 Connection bridge 


2760