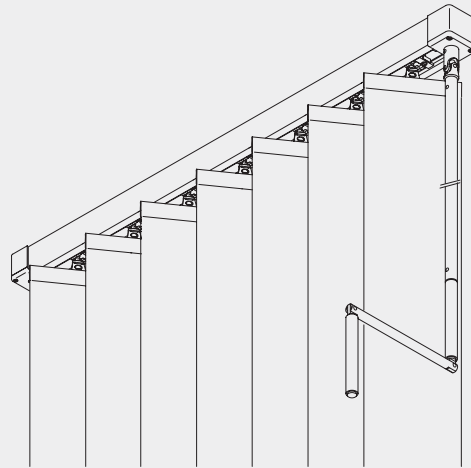


Crank Operated Vertical Blind System

Silent Gliss® 2900



Product Information

- Mono-control crank operation, purpose designed for curved and sloping installations
- A unique belt operation that can be bent to a tight radius
- The robust detachable operating handle is used to open, close and tilt the louvres
- Systems up to 6m in length
- Can be safely used with heavy louvres such as PVC and aluminium
- Easy snapping on and off of louvres
- Single, multiple or unequal stacks possible
- Can also be used for sloping windows
- Ceiling fix recommended but can be wall fixed with extension brackets
- Headrail available in silver or white as standard
- Made to measure
- Vertical Waves and 3D Vertical Wave options available



2900

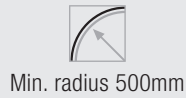
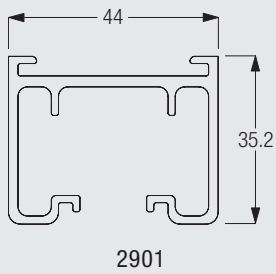
Supplied by

SG-S | Silent Gliss Spares
Silent Gliss Systems

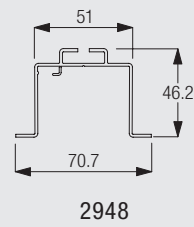
www.sg-s.co.uk email: sales@sg-s.co.uk tel: 01395 232528

Profile, Bending and Specification Information

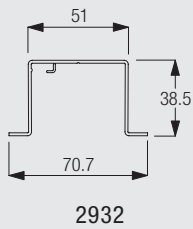
Main profile



Recess profile for suspended ceilings



Recess profile



Specification Information - download from www.silentgliss.co.uk (password required).

Silent Gliss 2900 mono control vertical blind system. Aluminium profile assembled with internal drive belt 2912, rotation elements to suit mm louvres and with detachable crank handle. Louvres to be chosen from Silent Gliss range price group 1/2/3. Track top fixed with clamps 3033/ face fixed with extension brackets 11154-11156.

How to Measure

Please complete a Silent Gliss measure sheet (these can be obtained from head office or found on the Silent Gliss website www.silentgliss.co.uk (password required)).



2900

System Dimensions



6m



1.1m (pair stack)
50cm (single stack)



600g per louvre
(incl. bottom weight)



4m

Stack sizes (each stack)

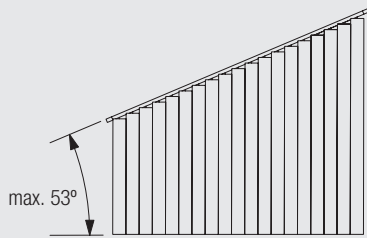
mm	mm	max. (cm)													
		80	100	120	140	160	180	200	220	240	260	280	300	320	340
127		25	27	30	33	36	39	42	45	48	51	54	57	60	63
		19	21	22	24	25	27	28	30	31	33	34	36	37	38
89		26	29	33	38	41	45	50	53	57	62	65	69	74	77
		18	20	21	24	26	27	30	32	33	36	38	39	42	44

mm	mm	max. (cm)													
		360	380	400	420	440	460	480	500	520	540	560	580	600	
127		66	69	72	75	78	81	84	87	90	93	96	99	101	101
		40	41	43	44	46	47	49	50	52	53	55	56	58	58
89		81	86	89	93	98	101	105	110	113	117	122	125	129	129
		45	48	50	51	54	57	59	60	62	63	66	68	69	69

The stack sizes above don't apply for the system option Vertical Waves. Please contact Silent Gliss for further information.

System Options

Sloping windows

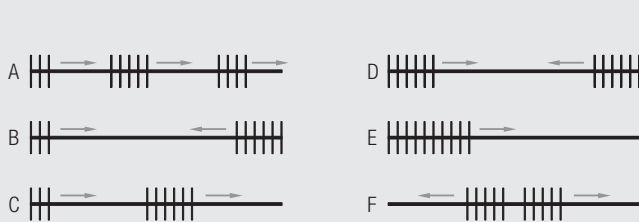


Special longer-necked rotation elements are used. The maximum slope depends on the louvre widths: 45° with 127 mm and 53° with 89 mm louvres.



2900

Stacking variations (examples)



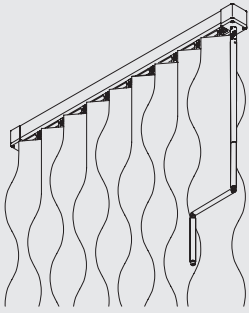
- A: 3 stacks in 1 direction (can also be asymmetric)
- B: Pair stack, asymmetrical
- C: Asymmetrical in 1 direction
- D: Pair stack, equal
- E: Single stack
- F: Centre stack

The vertical blind system Silent Gliss 2900 offers uniquely varied application possibilities.

Bent systems

System 2900 is designed for bending and various shapes are possible - see 2950.

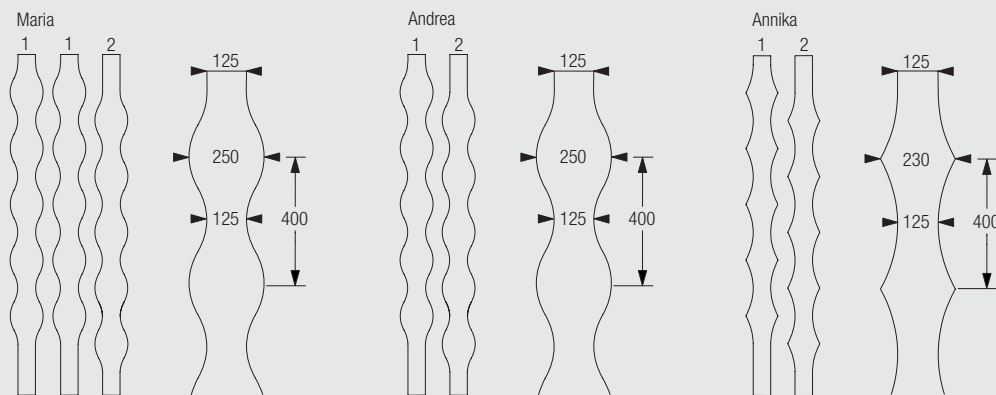
System Option Vertical Waves



The system can be optionally equipped with the system option Vertical Waves.

NOTE: Vertical Wave cannot be supplied on a sloping system.

Vertical Wave and 3D Vertical Wave louvres 127mm



Three exceptional designs, Maria, Andrea and Annika, are available.

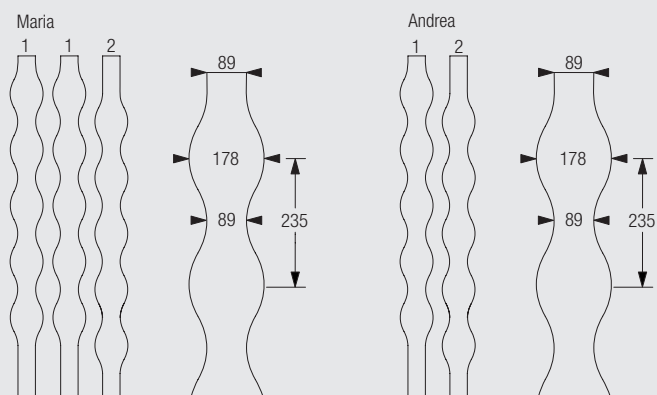
3D Vertical Wave only applicable with design Andrea (5-shape and 6 shape louvres, 218 - 297cm louver height).

Minimum drop: 104cm



2900

Vertical Wave louvres 89mm



Two exceptional designs, Maria and Andrea, are available.

Minimum drop: 110cm

Supplied by

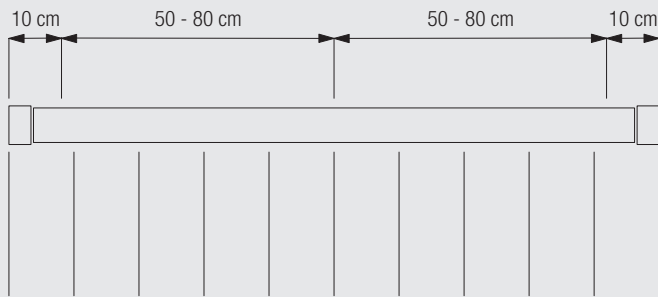
SG-S | Silent Gliss Spares
Silent Gliss Systems

www.sg-s.co.uk email: sales@sg-s.co.uk tel: 01395 232528

Silent Gliss®

Fitting Information

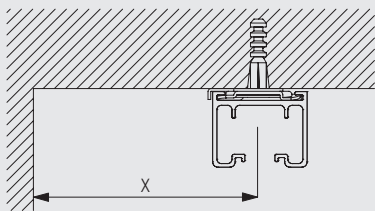
Bracket positioning



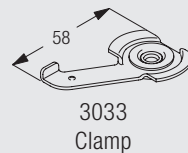
Fitting Options

CAD download from www.silentgliss.co.uk (password required).

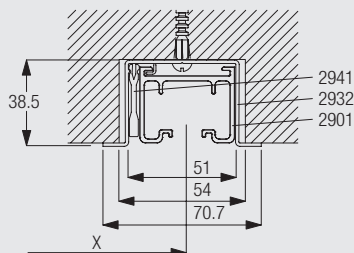
Ceiling fixing with clamp 3033



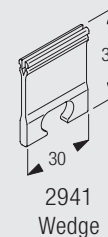
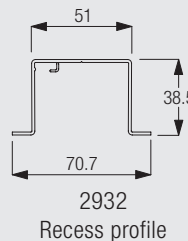
	X (mm)
Louvres	
89mm	65
127mm	85



Recess fixing with recess profile 2932

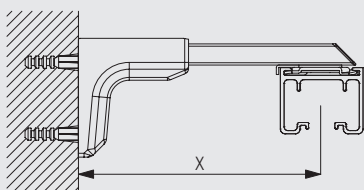


	X (mm)
Louvres	
89mm	65
127mm	85

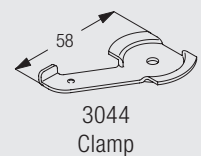
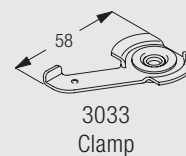
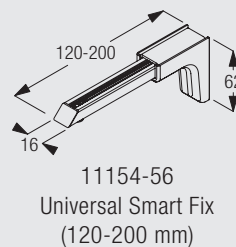


Profile 2932 can not be bent

Wall fitting with Universal Smart Fix 11154-11156 and clamp 3033/3044



	X (mm)
11154	102-130
11155	132-160
11156	182-210


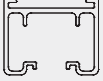




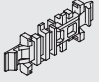
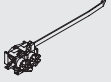


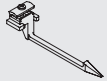



Minimum wall distance with Vertical Waves:
89 mm Vertical Wave louvres = 115 mm
127 mm Vertical Wave louvres = 140 mm

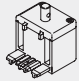
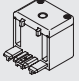
Brackets feature thread for screw SG 11158 (M4x12) for fixing clamps 3033/3044.

Standard Accessories

Single Parts

2746	Detachable crank handle		2901	Profile	
2908	Spacer (90mm)		2912	Drive Belt	
2916	Rotation element set (127mm)		2918	Rotation element set (89mm)	
2925	Belt Connector		2927	Pilot runner	
2937	Buffer		2949	Endstop	
2982	Endstop		3033	Clamp	
1148C	Countersunk screw				


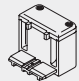


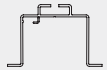


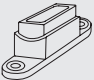
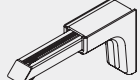
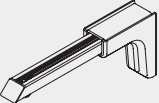
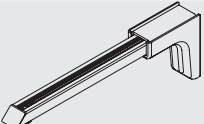
Sets

2920	Guide set, containing		2921	Gear drive	1	
			2922	Guide return	1	



2900

Optional Accessories

2747	Fixed crank handle		2930	Endset	
2932	Recess profile		2941	Wedge	
2948	Recess profile		2948	Recess profile	
6268	Hanger		6952	Magnetic handle holder	
11154	Universal Smart Fix, 120 mm set		11155	Universal Smart Fix, 150 mm set	
11156	Universal Smart Fix, 200 mm set				

Supplied by

SG-S | Silent Gliss Spares
Silent Gliss Systems

www.sg-s.co.uk email: sales@sg-s.co.uk tel: 01395 232528

Silent Gliss®

Louvre Accessories

2471 Bottom weight (127mm)



2473 Bottom weight (89mm)



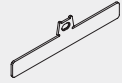
2479 Bottom link chain (127mm)



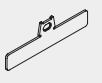
2481 Bottom link chain (89mm)



2605 Top clip (127mm)



2813 Top clip (89mm)



2849 Top clip (PVC)



2900

Supplied by



www.sg-s.co.uk email: sales@sg-s.co.uk tel: 01395 232528

www.silentgliss.co.uk

www.silentglissglobal.com

Silent Gliss Ltd
Pyramid Business Park
Poorhole Lane
Broadstairs
Kent
CT10 2PT
Great Britain

Tel: +44 (0) 1843 863571
Fax: +44 (0) 1843 864503
info@silentgliss.co.uk

Silent Gliss Global Ltd
Pyramid Business Park
Poorhole Lane
Broadstairs
Kent
CT10 2PT
Great Britain

Tel: +44 (0) 1843 874250
Fax: +44 (0) 1843 874457
info@silentglissglobal.com