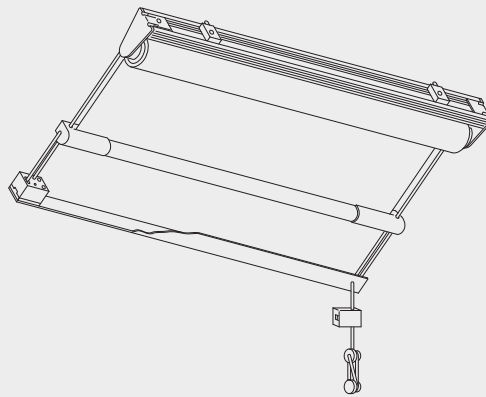


Spring Operated Roller Blind System

Silent Gliss® 4220



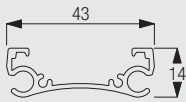
Product Information

- Tensioned wire-supported roller blind for sloping and horizontal applications.
- Delivered assembled with fabric.
- Tension assured by special stop controller and spring balance sets. Pull diverters ensure equal tension over the blind.
- Continuous headrail with snap brackets allows choice of fixing points.
- Range of accessories for diverting cord around obstructions.
- Triangular and hip blinds may be specified with Thermoscreen fabric (within certain parameters).

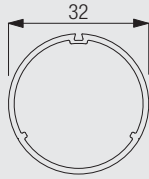


4220

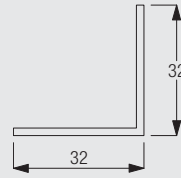
Profile and Specification Information



4412 Support Bar



4227 Headrail



4434W 'L' section

Specification Guide - download from the Silent Gliss Extranet

Silent Gliss 4220 manually operated blind for horizontal and sloping installations. Fully assembled using 4227 aluminium headrail and 4442 end piece sets with white polyester powder coated aluminium support bar 4412. Fit using 4372 snap fix brackets at 40 to 70cm intervals, 35-45cm from ends. Complete with 4443 tensioner and 4428 tensioned side guide wires with 4438/9 wire tensioners. Supplied with L section 4434 white bar (for in recess mounting only). Specify system width (max 2m)drop (max 2m), required length of lift cord 4316, type of fabric and requirements for optional pulley mechanisms enabling complex lift cord routing.

Maximum Dimensions



200cm



60cm



200cm

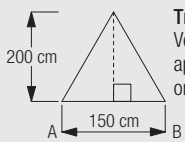


4

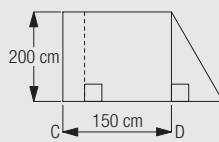


1.6

Within parameters below, triangular and hip blinds may be specified



Triangular
Vertical line from apex must fall on base line



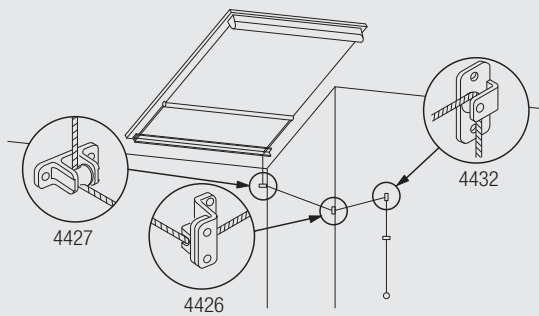
Single hip
Line A-B must be parallel to line C-D.
Vertical line on A-B must fall on base line

System Options

Diverting cord around obstructions



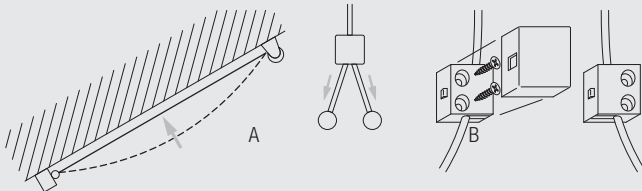
4220



4227 Pulley guide
4426 External angle fixture
4432 Side pulley guide

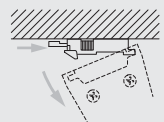
Fitting Information

Tighten spring tensioner to reduce sag



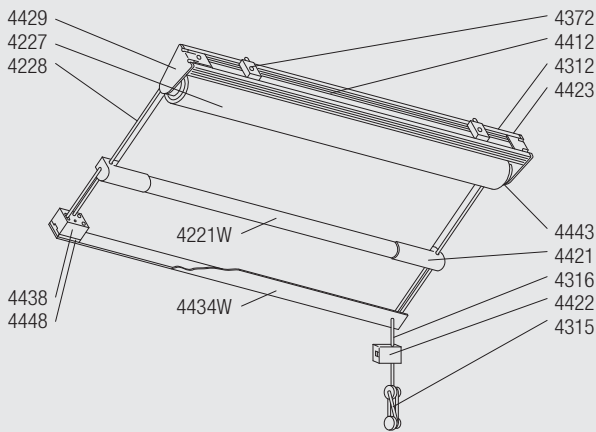
A: After fitting tighten spring tensioner to reduce sag
B: 4422 Cord lock

Removal of blind



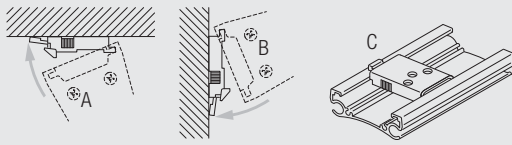
Fitting Options

Ceiling or wall fix with snap brackets 4372



- 4228 Guide wire
- 4312 Spring
- 4315 Cord winder set
- 4316 Lift cord
- 4412 Support bar
- 4421 Endcovers
- 4422 Cord lock
- 4423 Wire guide
- 4372 Snap brackets (fix at 35-45cm from ends and at 40/70 cm intervals)
- 4438 Wire tensioner
- 4429 Endpiece set
- 4443 Tensioner
- 4448 Wire tensioner base
- 4221W Weight bar
- 4434W 'L'-section

Fixing with snap brackets 4372



- A: Ceiling fix
- B: Wall fix
- C: 4372 Snap bracket

For recess fixing use 'L'-section 4434W

Standard Accessories

| | | | |
|-------------------------------------|--|------------------------------------|--|
| 4221 Bottom bar | | 4227 Headrail | |
| 4315 Cord winder set | | 4316 Lift cord | |
| 4372 Snap bracket | | 4412 Support bar | |
| 4413 Spring balance set (4413-4419) | | 4421 End Covers | |
| 4422 Cord lock | | 4423 Wire guide (2x) | |
| 4428 Guide wire | | 4429 Endpiece set (2x) | |
| 4438 Wire tensioner assembly left | | 4439 Wire tensioner assembly right | |
| 4443 Tensioner | | 4448 Tensioner base inside recess | |
| 4449 Tensioner base outside recess | | | |

4220

Optional Accessories

| | | | |
|-----------------------------|--|--------------------|--|
| 4426 External angle fixture | | 4427 Pulley guide | |
| 4432 Side pulley guides | | 4434W 'L'-section. | |