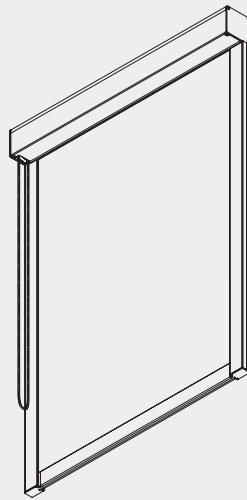


## Chain Operated Dim-Out Blind System

# Silent Gliss® 4710 Small



### Product Information

- Technically advanced chain-operated dim-out blind system.
- For applications up to 1.6m wide, 1.6m high or 2.5m<sup>2</sup> with a maximum weight of 2kg.
- Easy click-in side profiles.
- Fabrics are 'zipped' into the side profiles.
- Inside or outside recess fitting.
- Supplied powder coated in black or white.
- Delivered ready-assembled, made-to-measure.
- Suitable for inclined positions up to 15° from vertical.
- Spring assisted when required (larger sizes).



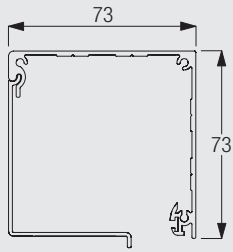
4710

Supplied by

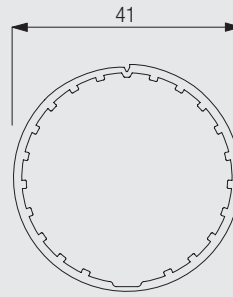
**SG-S** | Silent Gliss Spares  
Silent Gliss Systems

www.sg-s.co.uk email: sales@sg-s.co.uk tel: 01395 232528

## Profile and Bending Information



10994-5

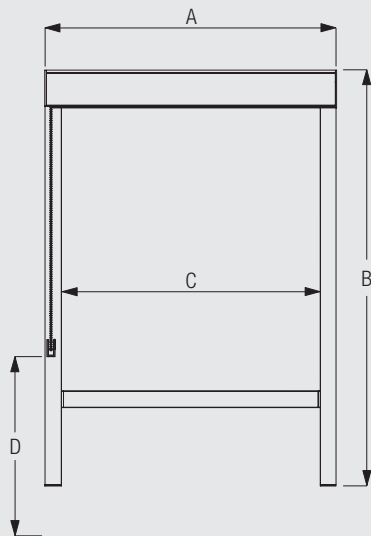


10532



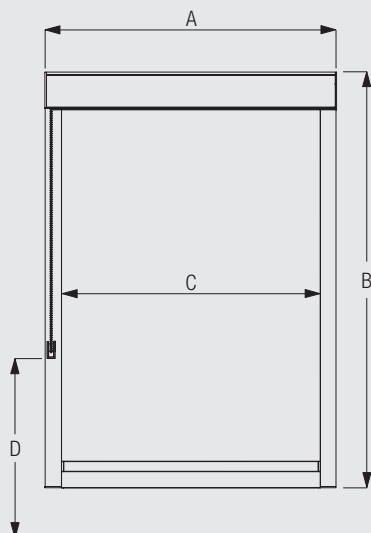
## How to Measure

### Inside fitting



- A: System width
- B: System drop
- C: Fabric width
- D: Safety Retainer 10400 min. 150cm above floor

### Face fitting



- A: System width
- B: System drop
- C: Fabric width
- D: Safety Retainer 10400 min. 150 cm above floor

## System Dimensions



1.6m



65cm



1.6m



2.5 m<sup>2</sup>

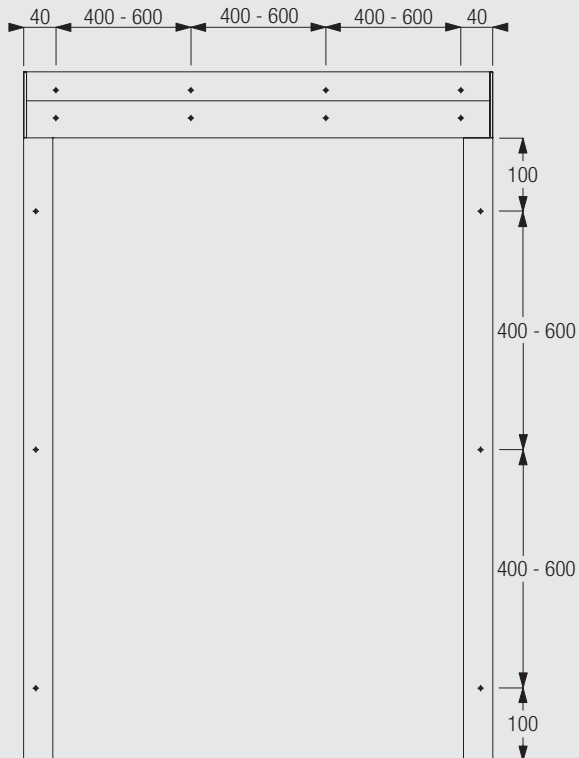


2kg

Please note: The max. system width/drop also depends on the fabric type.

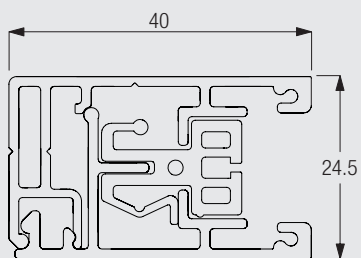
## Fitting Information

### Positioning of drill holes



4710

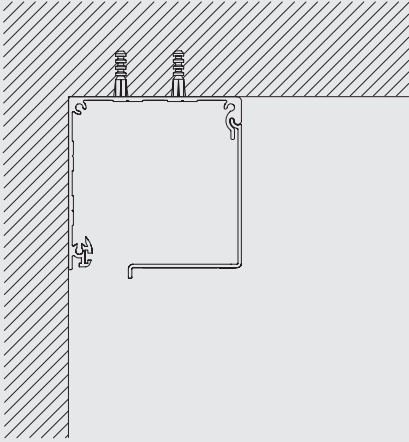
### Side profiles 11001 and 11002



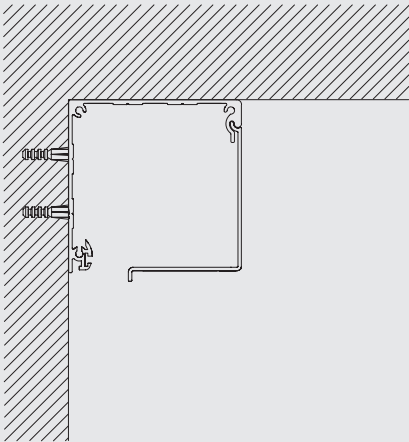
Profile drawing includes zip profile.

## Fitting Options

### Ceiling fitting with direct mounting

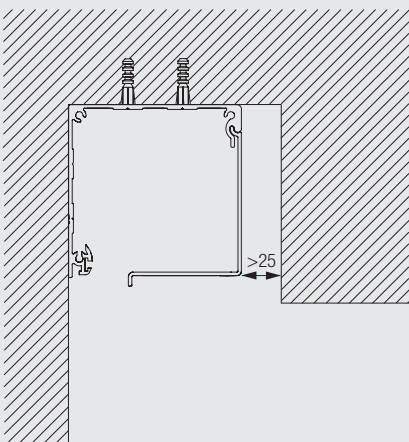


### Wall fitting with direct mounting



4710

### Recess fitting with direct mounting





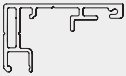
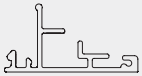



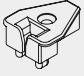
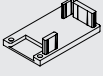
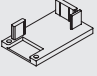
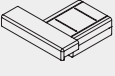
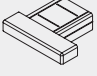

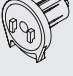


## Standard Accessories

10400 Safety Cord Retainer

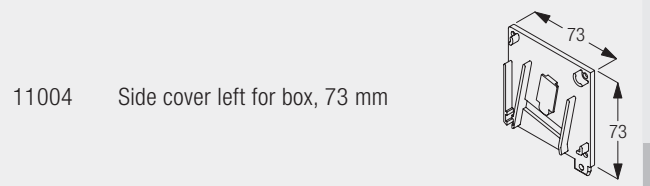
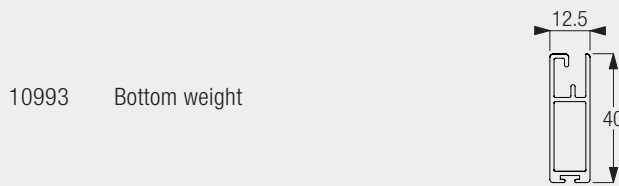


10532 Profile



10961	Zip profile		10993	Bottom weight	
11001	Side guide case		11002	Side guide cover	
11004	Side cover left for box, 73 mm		11010	Clip for chain drive	
11011	Clip for support		11024	Zip guide	
11026	Cover left for side guide		11027	Cover right for side guide	
11028	Bottom weight guide left		11029	Bottom weight guide right	
11030	Bottom weight cover		11031	Chain drive (S)	
11040	Stainless steel bead chain (ø 4.5 mm)		10994-5	Box case and cover, 73 mm	

## Useful Measures



4710

Supplied by



www.sg-s.co.uk email: sales@sg-s.co.uk tel: 01395 232528

[www.silentgliss.co.uk](http://www.silentgliss.co.uk)

[www.silentglissglobal.com](http://www.silentglissglobal.com)

Silent Gliss Ltd  
Pyramid Business Park  
Poorhole Lane  
Broadstairs  
Kent  
CT10 2PT  
Great Britain

Tel: +44 (0) 1843 863571  
Fax: +44 (0) 1843 864503  
info@silentgliss.co.uk

Silent Gliss Global Ltd  
Pyramid Business Park  
Poorhole Lane  
Broadstairs  
Kent  
CT10 2PT  
Great Britain

Tel: +44 (0) 1843 874250  
Fax: +44 (0) 1843 874457  
info@silentglissglobal.com