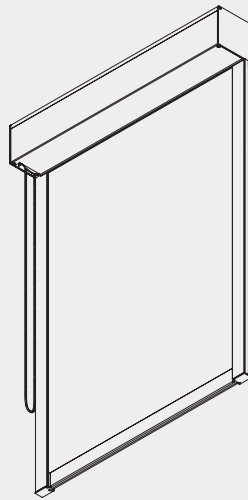


Chain Operated Dim-Out Blind System

Silent Gliss® 4740 Large



Product Information

- Technically advanced chain-operated dim-out blind system.
- Up to 3m wide, 3m high or 9m² with a maximum weight of 6kg.
- Easy click-in side profiles.
- Inside or outside recess fitting.
- Supplied powder coated black or white.
- Fabrics are 'zipped' into the side profiles.
- Delivered ready-assembled made-to-measure.
- Suitable for inclined positions up to 15° from vertical.
- Spring assisted when required (larger sizes).



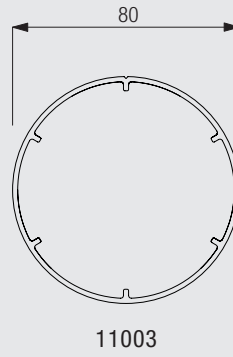
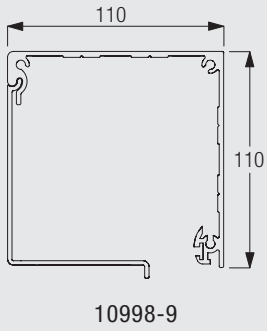
4740

Supplied by

SG-S | Silent Gliss Spares
Silent Gliss Systems

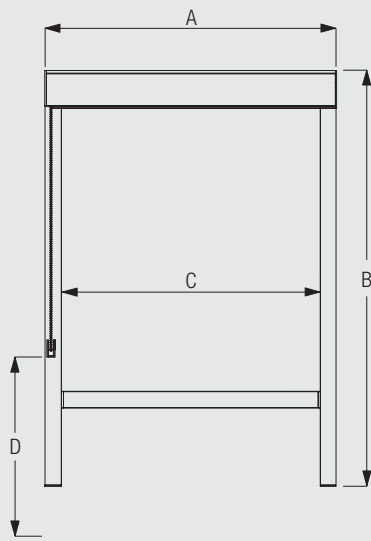
www.sg-s.co.uk email: sales@sg-s.co.uk tel: 01395 232528

Profile and Bending Information



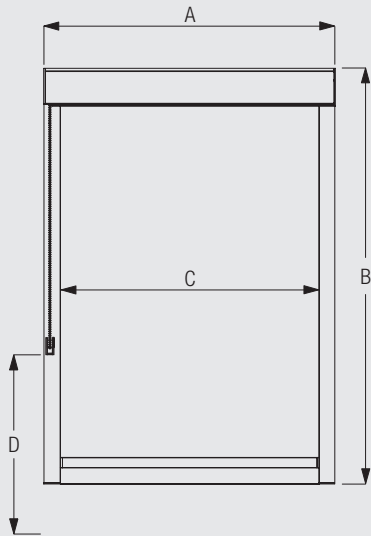
How To Measure

Inside fitting



- A: System width
- B: System drop
- C: Fabric width
- D: Safety Retainer 10400 min. 150cm above the floor

Face fitting



- A: System width
- B: System drop
- C: Fabric width
- D: Safety Retainer 10400 min. 150 cm above floor

System Dimensions



3m



65cm



3m



9m²



6kg

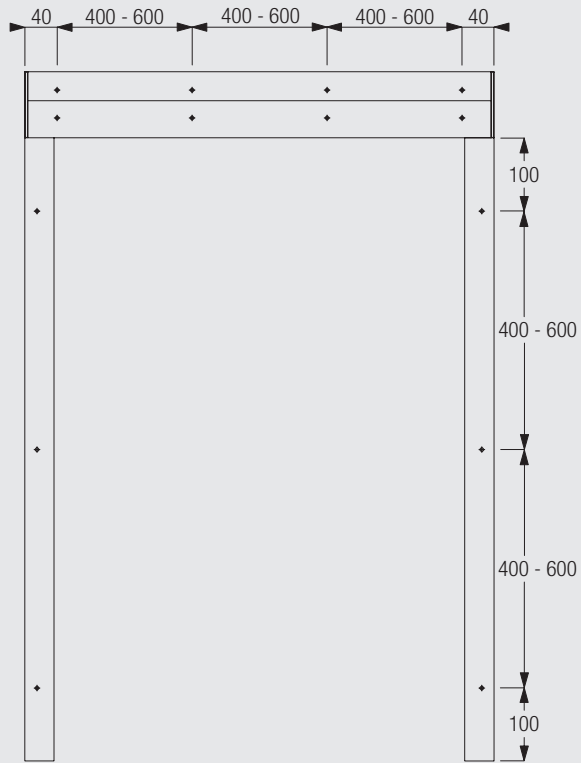
Please note: The max. system width/drop also depends on the fabric type.



4740

Fitting Information

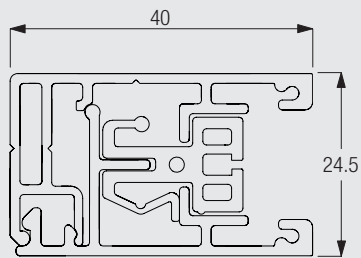
Positioning of drill holes



Side profiles 11001 and 11002



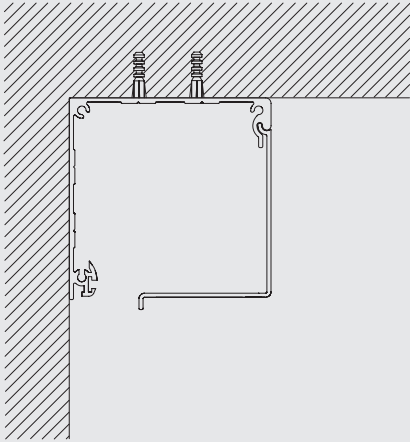
4740



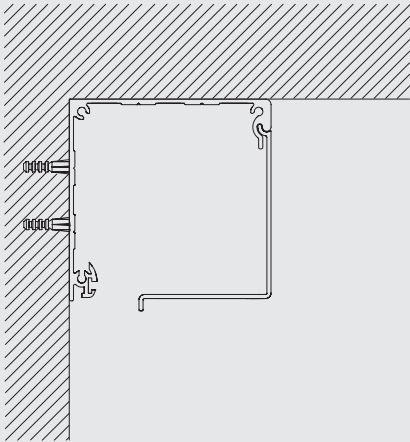
Drawing includes zip profile.

Fitting Options

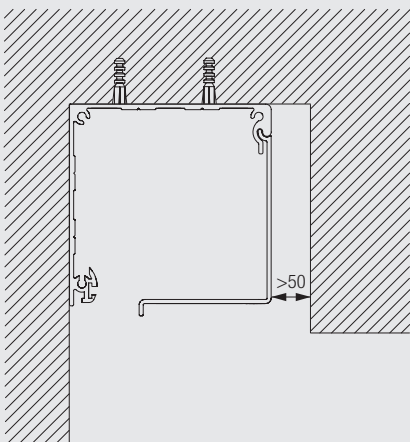
Ceiling fitting with direct mounting



Wall fitting with direct mounting



Recess fitting with direct mounting



4740

Standard Accessories

10400 Safety Cord Retainer



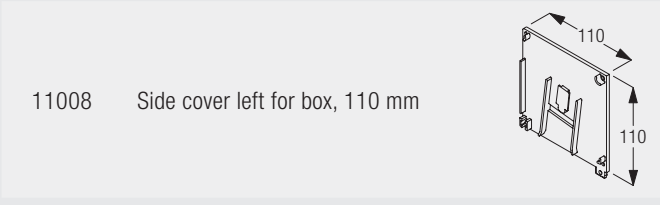
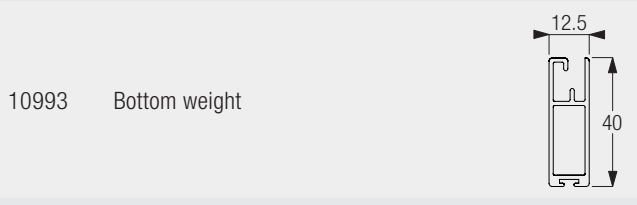
10668 Strip (10mm)



10961	Zip profile		10993	Bottom weight	
11001	Side guide case		11002	Side guide cover	
11003	Profile tube, 80 mm		11008	Side cover left for box, 110 mm	
11009	Side cover right for box, 110 mm		11011	Clip for support	
11012	Clip for chain drive		11020	Tube adapter support 80 mm	
11021	Tube adapter chain drive 80 mm		11024	Zip guide	
11025	Zip		11026	Cover left for side guide	
11027	Cover right for side guide		11028	Bottom weight guide left	
11029	Bottom weight guide right		11030	Bottom weight cover	
11033	Chain drive (L)		11040	Stainless steel bead chain (ø 4.5 mm)	
11040	Stainless steel bead chain (ø 4.5 mm)		11052	Spring set left wound 80 mm	
11053	Spring set right wound 80 mm		10998-9	Box case and cover, 110 mm	



Useful Measures



Supplied by



www.sg-s.co.uk email: sales@sg-s.co.uk tel: 01395 232528

www.silentgliss.co.uk

www.silentglissglobal.com

Silent Gliss Ltd
Pyramid Business Park
Poorhole Lane
Broadstairs
Kent
CT10 2PT
Great Britain

Tel: +44 (0) 1843 863571
Fax: +44 (0) 1843 864503
info@silentgliss.co.uk

Silent Gliss Global Ltd
Pyramid Business Park
Poorhole Lane
Broadstairs
Kent
CT10 2PT
Great Britain

Tel: +44 (0) 1843 874250
Fax: +44 (0) 1843 874457
info@silentglissglobal.com