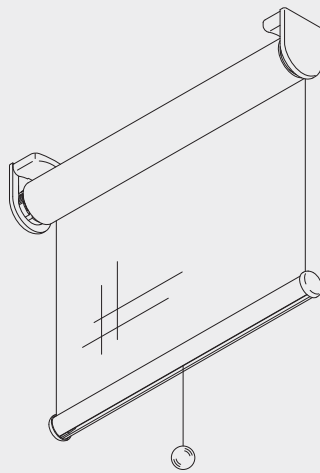


Spring Operated Roller Blind System

Silent Gliss® 4800



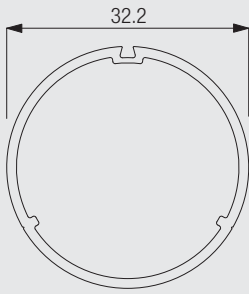
Product Information

- A unique patented decelerator mechanism ensures the smooth, controlled ascent of even our largest roller blinds, creating a silent, maintenance free, high quality roller blind.
- The multi-position rotary clutch enables the blind to be pulled down to stop at exactly the required position every time
- Stiffened fabrics are no longer necessary - soft fabrics may be used
- Pull ball operation or grip set
- The stop controller mechanism halts the blind at any given position - ideal for very tall windows or contracts where all blinds must be at the same level from the outside
- Easy wall or ceiling fixing with a variety of methods
- Aluminium bottom bar in silver, white (standard) and black
- Supplied ready assembled, made to measure with fabric
- Smart bracket covers for outside recess fixing
- Double system option allows two blinds to be mounted in parallel on the same set of brackets
- Optional cassette
- Optional coordinated metal brackets, bottom bar, endcaps and headrail which enhance the design of each roller blind system.



4800

Profile and Specification Information



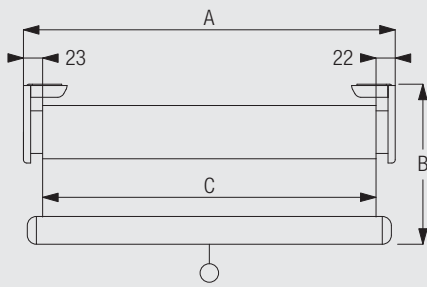
4227

Specification Guide - download from www.silentgliss.co.uk (password required).

Silent Gliss spring operated roller blind 4800 with speed controller 4228. Fixed to wall/ceiling/inside recess with 4803/4804 brackets with bracket covers, using continuous headrail 4802 or double brackets 4967/4968. Spring 4212/4217 to be specified according to weight and characteristics of fabric. Aluminium bottom bar 4221 in white as standard. Optional 4377 stop controller to be fitted to guarantee exact stop positioning of the blind.

How to Measure

Single system



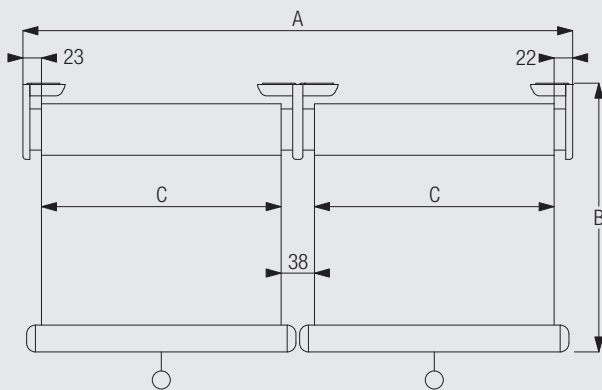
A: system width (including bracket covers)

B: system drop

C: fabric width

Attention: when installing the blind without bracket covers left and right, the total system width will be reduced by 6mm (2 x 3mm).

Side by side system (unconnected)



A: system width (including bracket covers)

B: system drop

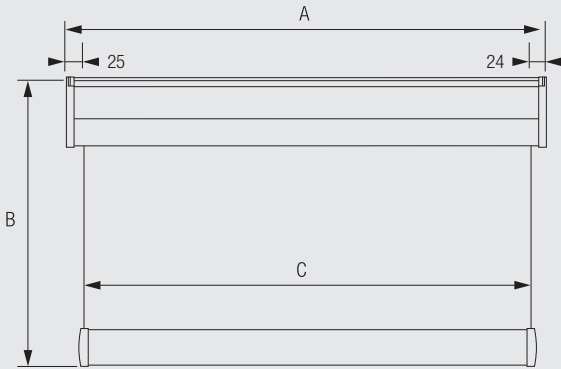
C: fabric width

Attention: when installing the blind without bracket covers left and right, the total system width will be reduced by 6mm (2 x 3mm).



4800

System with cassette



A: system width
B: system drop
C: fabric width

System Dimensions



Single system: 2m
Side by side system: 4m



56cm



3m



Single system: 6
Side by side system: 12



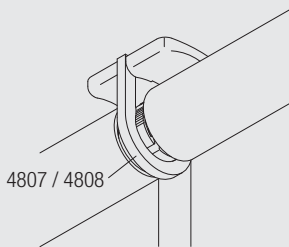
Single system: 1.6
Side by side system: 3.2

Maximum system width to drop ratio should not exceed 3.5:1

Note: When using the optional cassette there may be some fabric drop limitations - please consult Silent Gliss for further details.

System Options

Side-by-side fixing of two systems

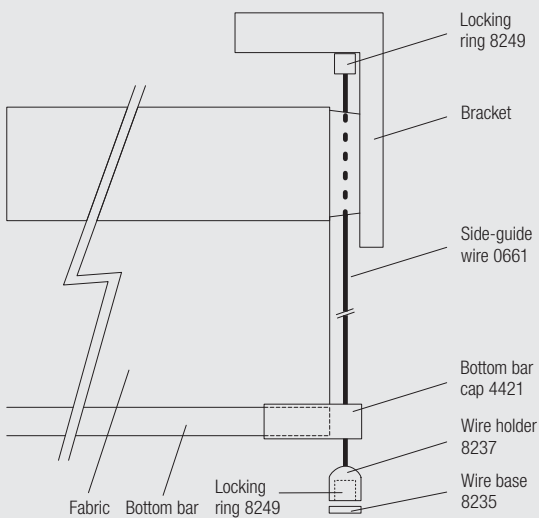


4807 Middle cover for bracket 4803 x 2 (36mm)
4808 Middle cover for bracket 4804 x 2 (46mm)



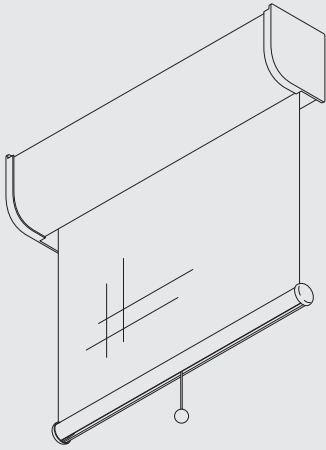
4800

Side-guide option



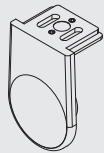
The side guide wire is fixed to the bracket using a locking ring, it then passes down behind the barrel, down the side of the blind, passing through a bottom bar cap and is secured to the window frame using a second locking ring contained within a wire housing/wire base holder.

Cassette option



21601 rear cassette cover x 1
 21611 front cassette cover x 1
 3186 cassette plate x 2
 3187 cassette cover x 2

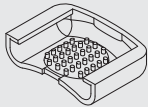
Metallic Line Option



Metal bracket
10389-94



Metal endcap
10043



Bracket cover
10387

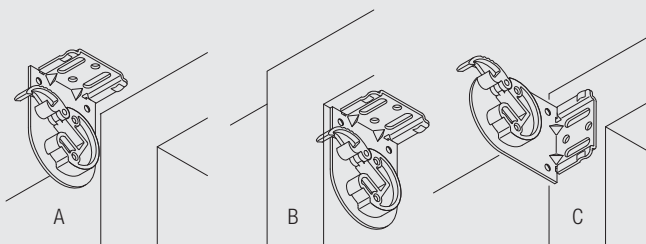


Continuous headrail
4802

Enhance the design of each roller blind system with optional metal brackets, bracket covers and coordinating metal bottom bar, endcaps and headrail.

Fitting Information

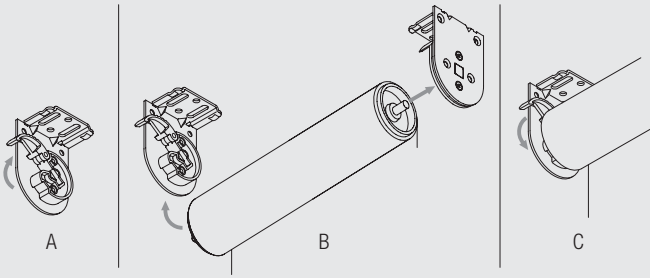
Bracket positioning and basic fitting features



A: Ceiling fix
 B: Recess fix
 C: Wall fix

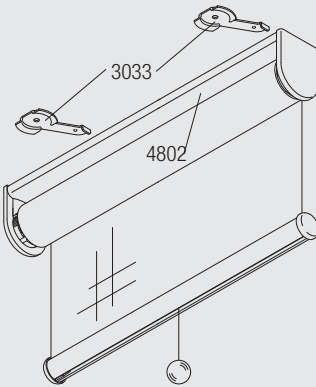
Two different brackets available: standard bracket 4804 (46mm) and optional bracket 4803 (36mm)

Easy front loading and removal of the blind



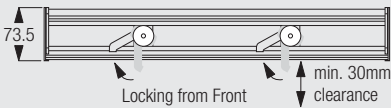
- A: Open click clasp on left side bracket
- B: Put blind into place: First right hand side, then left side
- C: Close click clasp

Alternative fixing with continuous headrail (optional)



The complete system is pre-mounted on the continuous aluminium headrail for flexibility in fitting. Just mount the system with pre-fixed clamps 3033.

Alternative fixing with cassette (optional)



30mm allowance must be given for closure of clamps. Tip of clamps may show when ceiling fitted.

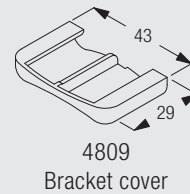
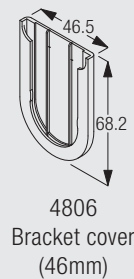
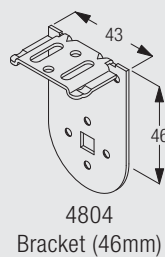
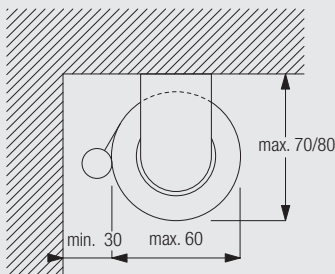


4800

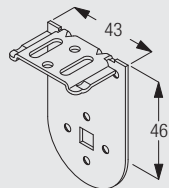
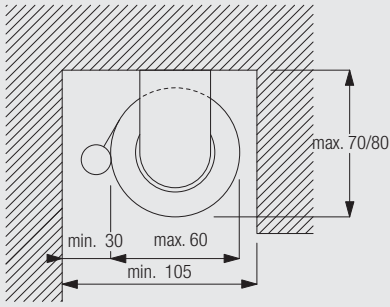
Fitting Options

CAD download from www.silentgliss.co.uk (password required).

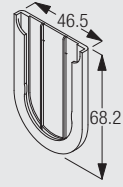
Ceiling fix



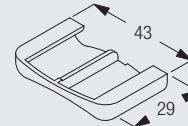
Recess fix



4804
Bracket (46mm)

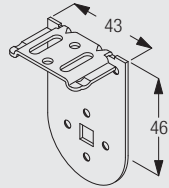
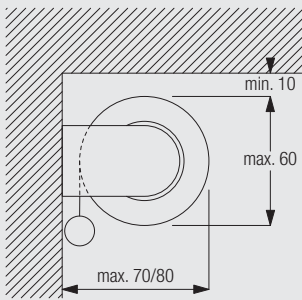


4806
Bracket cover
(46mm)

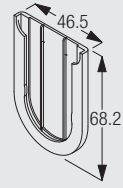


4809
Bracket cover

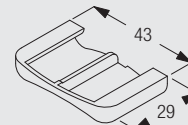
Wall fix



4804
Bracket (46mm)

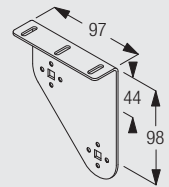
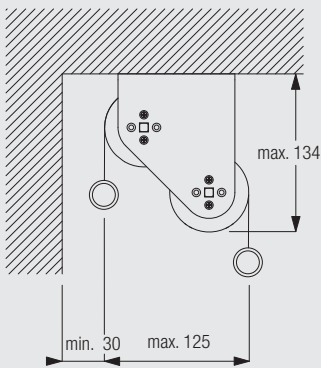


4806
Bracket cover
(46mm)

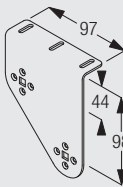


4809
Bracket cover

Ceiling fix with double brackets 4967 and 4968

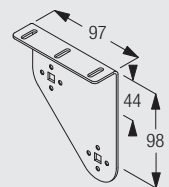
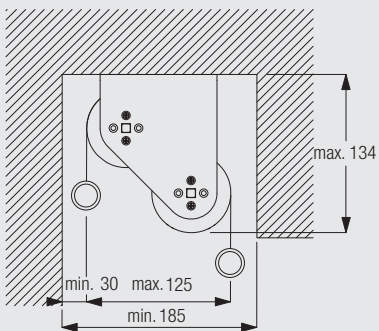


4967
Double Bracket

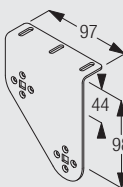


4968
Double Bracket

Recess fix with double brackets 4967 and 4968



4967
Double Bracket

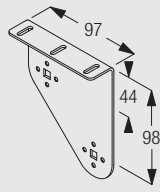
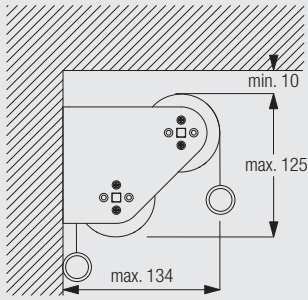


4968
Double Bracket

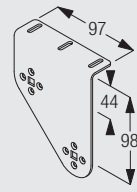


4800

Wall fix with double brackets 4967 and 4968

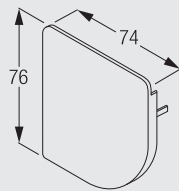
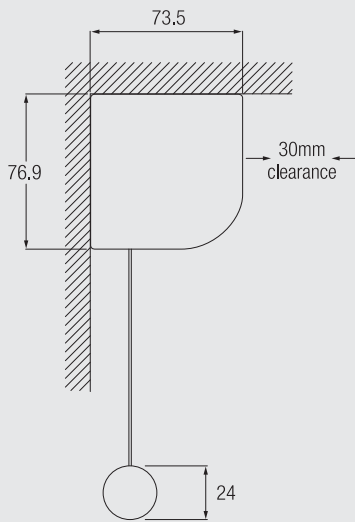


4967
Double Bracket

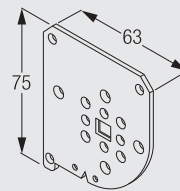


4968
Double Bracket

Ceiling fix with cassette (optional)

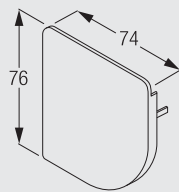
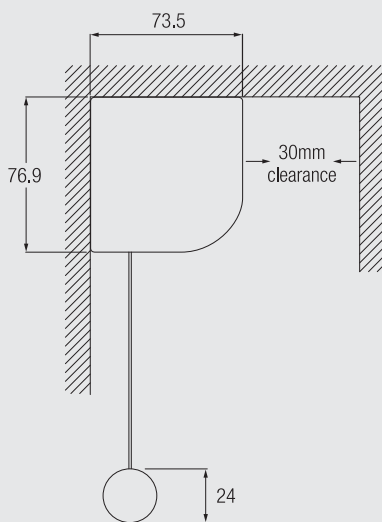


3187
Cassette Cover

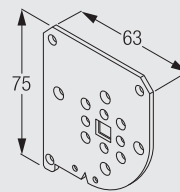


3186
Cassette Plate

Recess fix with cassette (optional)



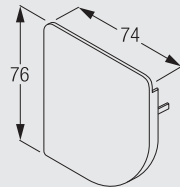
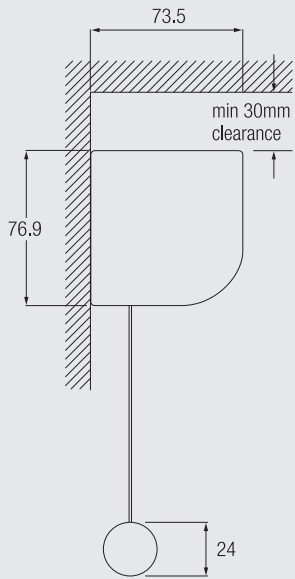
3187
Cassette Cover



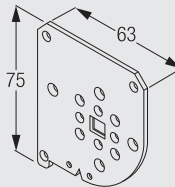
3186
Cassette Plate



Wall fix with cassette (optional)



3187
Cassette Cover



3186
Cassette Plate

Standard Accessories

4221 Bottom bar



4227 Profile



4231 Tube end cap



4241 Weight bar cap



4246 Pull ball set



4804 Bracket (46mm)



4806 Bracket cover (46mm)



4809 Bracket cover



4867 Support



4868 Lock



Optional Accessories

3033 Clamp



4207 Long brackets



4247 Pull grip set



4802 Continuous headrail



4803 Bracket (36mm)



4805 Bracket cover (36mm)



4807 Intermediate bracket cover (36mm)



4808 Intermediate bracket cover (46mm)



4967 Double Bracket





4968 Double Bracket



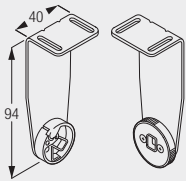
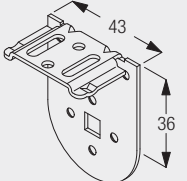
10043	Metal cover for weight bar cap		10387	Cover for metal bracket	
10389	Metal bracket, wall and ceiling, right and left (46mm)		10390	Metal bracket, ceiling, left (46mm)	
10391	Metal bracket, ceiling, right (46mm)		10392	Metal bracket, wall, left (46mm)	
10393	Metal bracket, wall, right (46mm)		10394	Metal bracket, wall and ceiling, right and left (46mm)	

Sets

0579A/1	Stop Controller Set, containing	4377	Endstop	1	
		4868	Lock	1	
Cassette,	containing	21601	Rear Cassette Cover	1	
		21611	Front Cassette Cover	1	
		3186	Cassette Plate	2	
		3187	Cassette Cover	2	

4800

Useful Measurements

4207	Long brackets		4803	Bracket (36mm)	
4805	Bracket cover (36mm)	