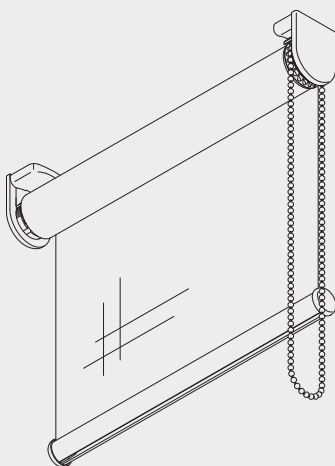


Chain Operated Roller Blind System

Silent Gliss® 4810



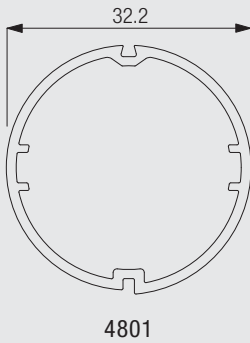
Product Information

- Unique triple spring clutch mechanism allows heavier fabric with precise and balanced control within a compact headrail
- Finger-touch raising of blind by metal or plastic bead chain, left or right operation
- Can be stopped at any given position
- Aluminium bottom bar in white as standard. Optional silver or black
- Additional twin spring version for heavy fabrics up to 550gsm (will be automatically supplied where required at no extra cost)
- Side by side version with centre support bracket and minimal light gap
- Varied fixing possibilities to ceiling, wall or recess
- Easy front loading into snap brackets
- Bracket cover for neater appearance outside recess
- Double system option allows two blinds to be mounted in parallel on the same set of brackets - ideal when sheer and dim-out shading is required at same window
- Optional cassette
- Optional coordinated metal brackets, bottom bar, endcaps and headrail which enhance the design of each roller blind system.



4810

Profile and Specification Information

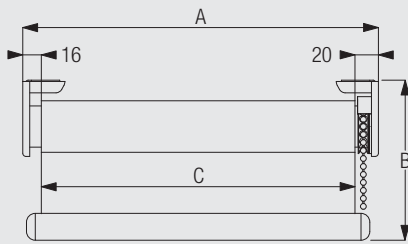


Specification Guide - download from www.silentgliss.co.uk (password required).

Silent Gliss 4810 chain operated roller blind system with counterbalancing triple spring and planetary gear set. Fixed to wall/ceiling/inside recess with 4803 or 4804 bracket set with bracket covers or double system brackets 4967/4968. Fabric to be selected from Silent Gliss range.

How to Measure

Single system



A: system width (incl. bracket covers)

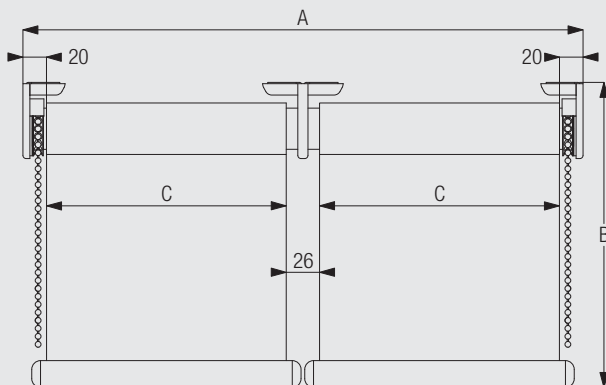
B: system drop

C: fabric width

For **twin spring system**, the distance between the outside edge of the left hand bracket and the start of the fabric increases from 16mm to 20mm

Attention: when installing the blind without bracket covers left and right, the total system width will be reduced by 6mm (2 x 3mm).

Side-by-side system (unconnected)



A: system width (incl. bracket covers)

B: system drop

C: fabric width

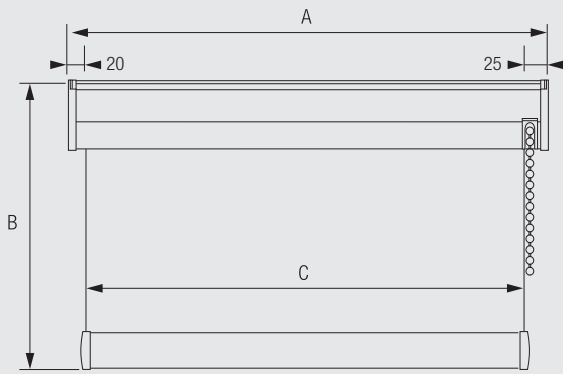
For **twin spring system**, the distance between the outside edge of the left hand bracket and the start of the fabric increases from 20mm to 36mm

Attention: when installing the blind without bracket covers left and right, the total system width will be reduced by 6mm (2 x 3mm).



4810

System with cassette



A: system width
B: system drop
C: fabric width

System Dimensions



Single system: 2m
Side by side system: 4m



46cm



3m



Single system: 6sqm
Side by side system:
12sqm



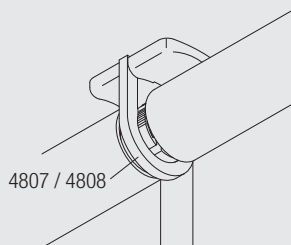
Single system: 3.5kg
Side by side system: 7kg

Maximum width to drop ratio should not exceed 3.5:1

Note: When using the optional cassette there may be some fabric drop limitations - please consult Silent Gliss for further details.

System Options

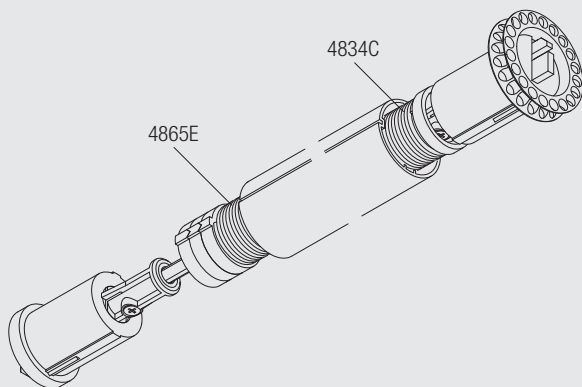
Side by side fixing of two systems



4810

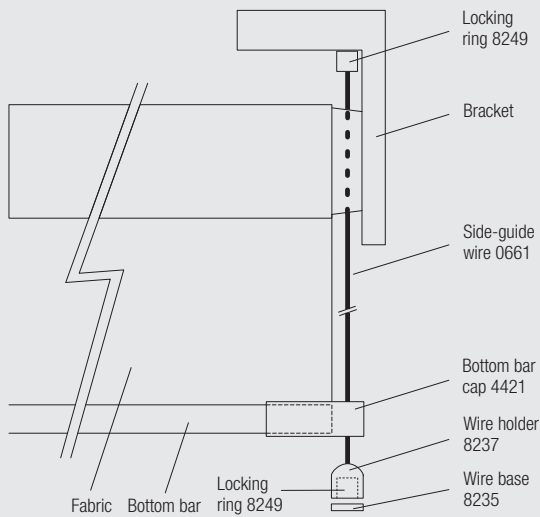
4807 Middle cover for brackets 4803 (36mm)
4808 Middle cover for brackets 4804 (46mm)

Twin spring option



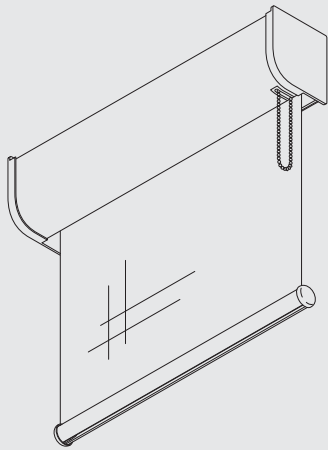
The twin spring is fitted as standard for heavy fabrics where necessary.

Side guide wire option



The side guide wire is fixed to the bracket using a locking ring, it then passes down behind the barrel, down the side of the blind, passing through a bottom bar cap and is secured to the window frame using a second locking ring contained within a wire housing/wire base holder.

Cassette option

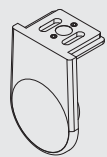


21601 rear cassette cover x 1
 21611 front cassette cover x 1
 3186 cassette plate x 2
 3187 cassette plate x 2



4810

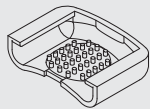
Metallic Line Option



Metal bracket
10389-94



Metal endcap
10043



Bracket cover
10387

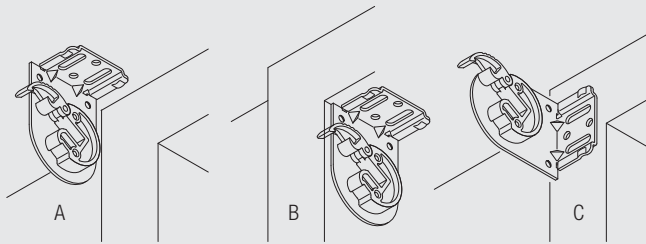


Continuous headrail
4802

Enhance the design of each roller blind system with optional metal brackets, bracket covers and coordinating metal bottom bar, endcaps and headrail.

Fitting Information

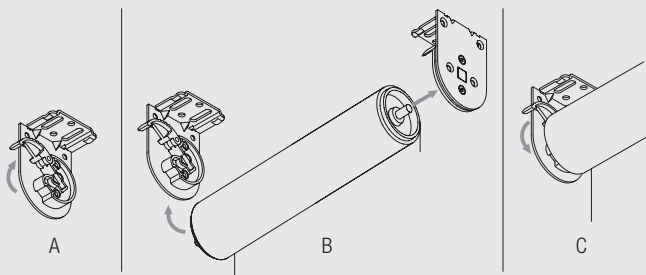
Bracket positioning and basic fitting features



- A: Ceiling fixing
- B: Recess fixing
- C: Wall fixing

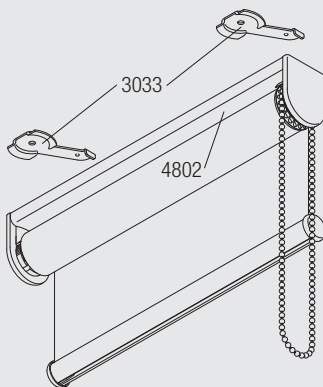
Two different brackets available: standard bracket 4804 (46mm) and optional bracket 4803 (36mm).

Easy front loading and removal of the blind



- A: Open click clasp on left side bracket
- B: Put blind into place: First right hand side, then left side
- C: Close click clasp

Alternative fixing with continuous headrail (optional)

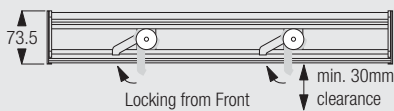


The complete system is pre-mounted on the continuous aluminium headrail for flexibility in fixing. Just mount the system with pre-fixed clamps 3033.



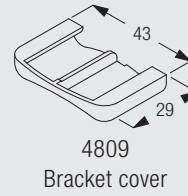
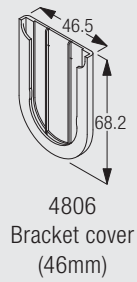
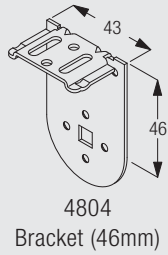
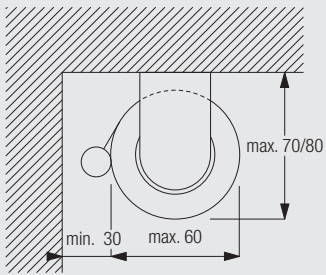
4810

Alternative fixing with cassette (optional)

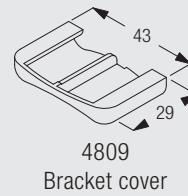
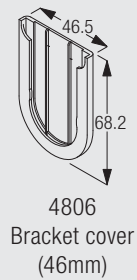
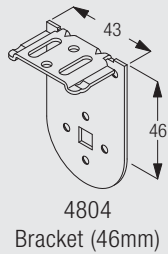
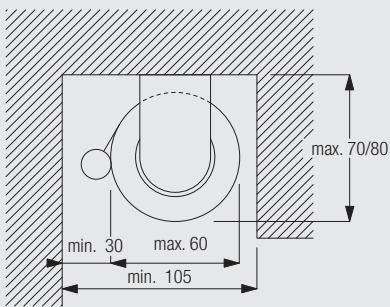


30mm allowance must be given for closure of clamps. Tips of clamps may show when ceiling fitted

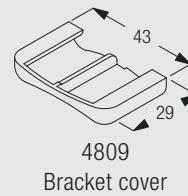
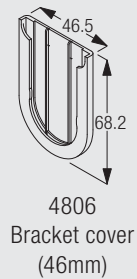
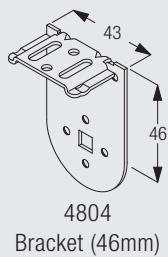
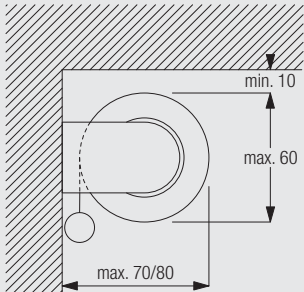
Ceiling fix



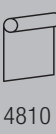
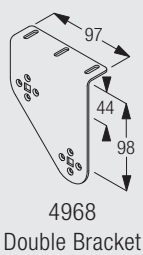
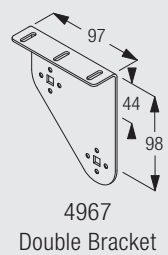
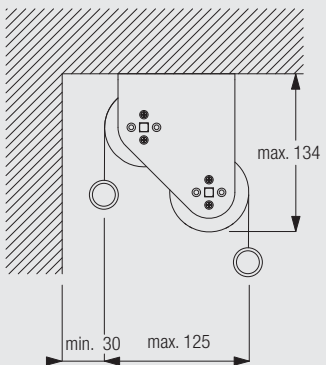
Recess fix



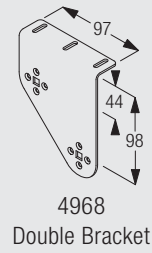
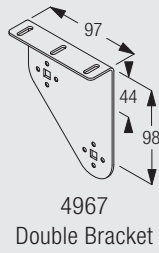
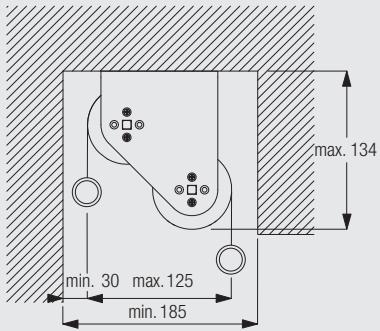
Wall fix



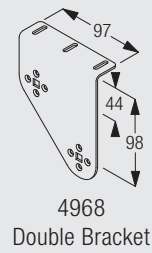
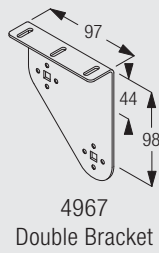
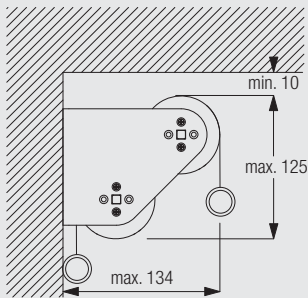
Ceiling fix with double brackets 4967 and 4968



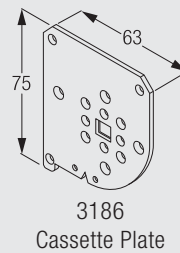
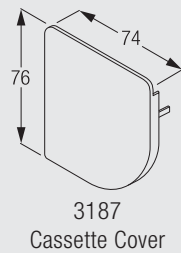
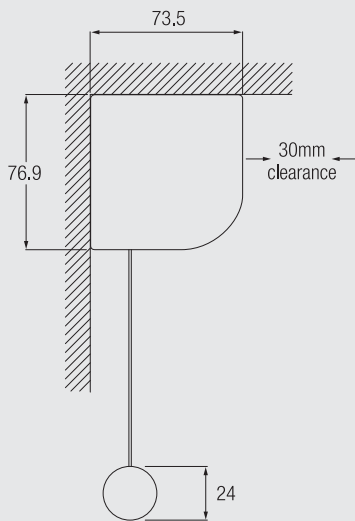
Recess fix with double brackets 4967 and 4968



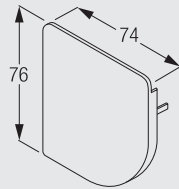
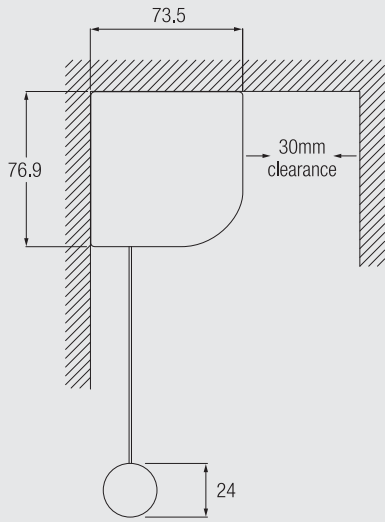
Wall fix with double brackets 4967 and 4968



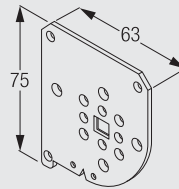
Ceiling fix with cassette (optional)



Recess fix with cassette (optional)

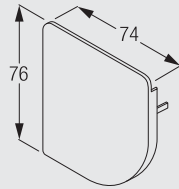
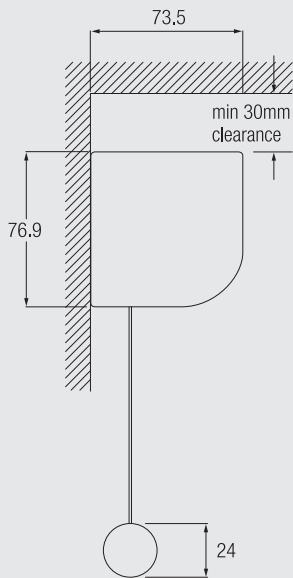


3187
Cassette Cover

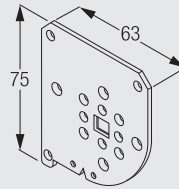


3186
Cassette Plate

Wall fix with cassette (optional)






3187
Cassette Cover





3186
Cassette Plate



Standard Accessories

0998	Safety Cord Retainer		4221	Bottom bar	
4241	Weight bar cap		4801	Profile	
4804	Bracket (46mm)		4806	Bracket cover (46mm)	
4809	Bracket cover		4815	Fastener and chain cover	
4845	Metal bead chain (ø 4.6mm)		4862	Lock	

Optional Accessories

2048	Plastic bead chain		2226	Bead chain stop	
3033	Clamp		3799	Cord Tidy	
4139	Bottom bar endcover (ø 19mm)		4165	Bottom bar	
4311	Metal bead chain connector		4802	Continuous headrail	
4803	Bracket (36mm)		4805	Bracket cover (36mm)	
4807	Intermediate bracket cover (36mm)		4808	Intermediate bracket cover (46mm)	
4857	Plastic bead chain connector		4885	Chain retaining collar	
4967	Double Bracket		4968	Double Bracket	
10043	Metal cover for weight bar cap		10380	Metal bracket, ceiling, left and right (46mm)	
10381	Metal bracket, ceiling, right (46mm)		10382	Metal bracket, ceiling, left (46mm)	
10383	Metal bracket, wall, right (46mm)		10384	Metal bracket, wall, left (46mm)	
10385	Metal bracket, wall, left (46mm)		10386	Metal bracket, wall, right (46mm)	
10387	Cover for metal bracket				



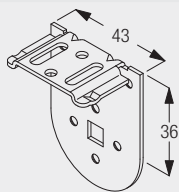
4810

Sets

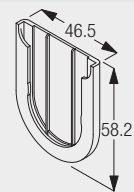
Cassette,	Containing		21611	Front Cassette Cover	1	
			21601	Rear Cassette Cover	1	
			3187	Cassette Cover	2	
			3186	Cassette Plate	2	

Useful Measurements

4803 Bracket (36mm)



4805 Bracket cover (36mm)



4810