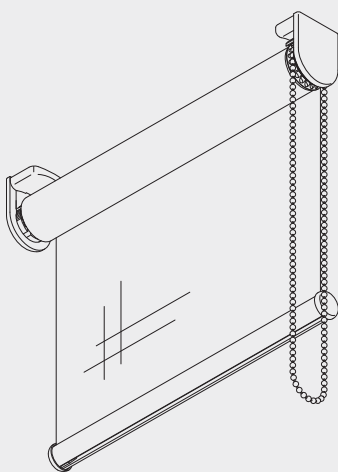


Chain and Spring Operated Roller Blind System

Silent Gliss® 4810DF



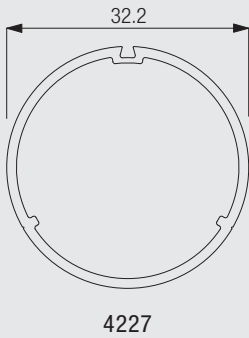
Product Information

- A unique system which allows the blind to be lowered with the sidewinder chain but then to be opened by spring with a slight tug on the bottom bar or chain. The spring release with speed controller makes opening much quicker and smoother, especially where there are banks of blinds
- Optional side-by-side systems with minimal light gap
- Double system option allows two blinds to be mounted in parallel on the same set of brackets - ideal when sheer and dim-out shading is required at same window
- Metal bead chain
- Aluminium bottom bar in white as standard. Optional silver or black
- Easy front loading and removal of the blind
- Easy wall, ceiling or recess fixing with a variety of methods
- Bracket covers for neater appearance outside recess
- Optional cassette
- Optional coordinated metal brackets, bottom bar, endcaps and headrail which enhance the design of each roller blind system.



4810DF

Profile and Specification Information

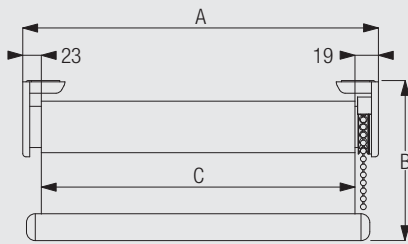


Specification Guide - download from www.silentgliss.co.uk (password required).

Silent Gliss unique roller blind system 4810DF that offers dual operation by spring and chain. Precise lowering of blind by chain operation and fast release by spring with speed controller 4228. Fixed to wall/ceiling/inside recess with 4803/4804 bracket sets with bracket covers, with continuous headrail 4802 or double brackets 4967/4968. Aluminium bottom bar 4221 in white as standard.

How to Measure

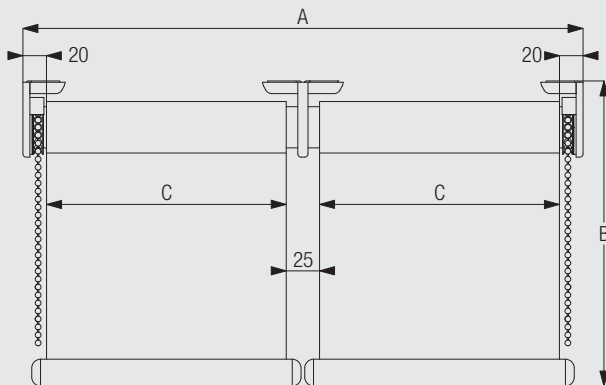
Single system



A: system width
B: system drop
C: fabric width

Attention: when installing the blind without bracket covers left and right, the total system width will be reduced by 6mm (2 x 3mm).

Side by side system (unconnected)



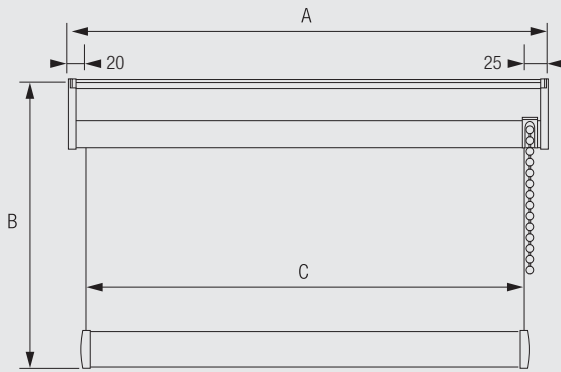
A: system width
B: system drop
C: fabric width

Attention: when installing the blind without bracket covers left and right, the total system width will be reduced by 6mm (2 x 3mm).



4810DF

System with cassette



A = system width
 B = system drop
 C = fabric width

System Dimensions



Single system: 2m
 Side by side system: 4m



56cm



3m



Single system: 6 sqm
 Side by side system: 12 sqm



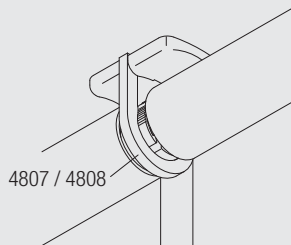
Single system: 1.6 kg
 Side by side system: 3.2 kg

Maximum width to drop ratio should not exceed 3.5:1

Note: When using the optional cassette there may be some fabric drop limitations - please consult Silent Gliss for further details.

System Options

Side-by-side fixing of two systems



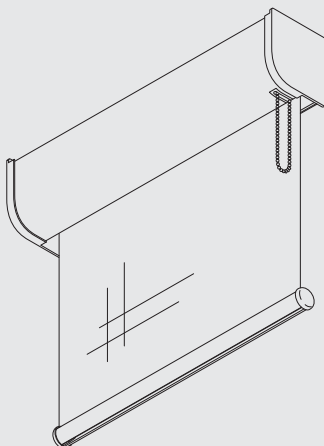
4807 / 4808

4807 Middle cover for brackets 4803 (36mm)
 4808 Middle cover for brackets 4804 (46mm)



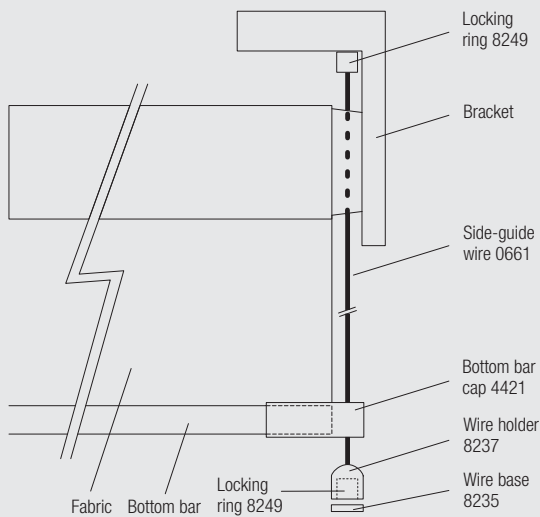
4810DF

Cassette Option



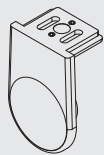
21601 rear cassette cover x 1
 21611 front cassette cover x 1
 3186 cassette plate x 2
 3187 cassette cover x 2

Side guide option



The side guide wire is fixed to the bracket using a locking ring, it then passes down behind the barrel, down the side of the blind, passing through a bottom bar cap and is secured to the window frame using a second locking ring contained within a wire housing/wire base holder.

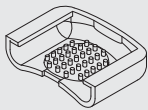
Metallic Line Option



Metal bracket
10389-94



Metal endcap
10043



Bracket cover
10387

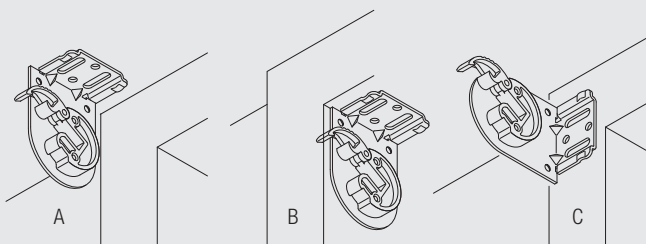


Continuous headrail
4802

Enhance the design of each roller blind system with optional metal brackets, bracket covers and coordinating metal bottom bar, endcaps and headrail.

Fitting Information

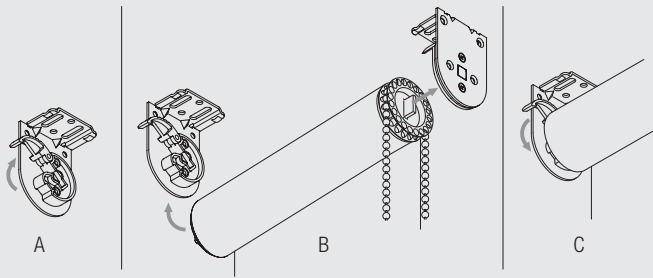
Bracket positioning and basic fitting features



A: Ceiling fix
B: Recess fix
C: Wall fix

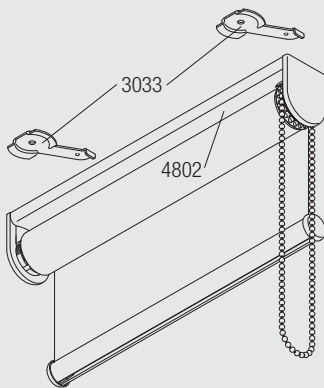
Two different brackets available: standard bracket 4804 (46mm) and optional bracket 4803 (36mm)

Easy front loading and removal of the blind



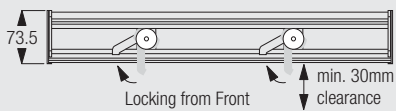
A: Open click clasp on left side bracket
B: Put blind into place: First right hand side, then left side
C: Close click clasp

Alternative fixing with continuous headrail (optional)



The complete system is pre-mounted on the continuous aluminium headrail for flexibility in fitting. Just mount the system with pre-fixed clamps 3033.

Alternative fixing with cassette (optional)



30mm allowance must be given for closure of clamps.
Tips of clamps may show when ceiling fitted.

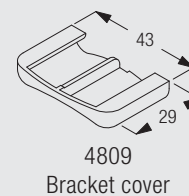
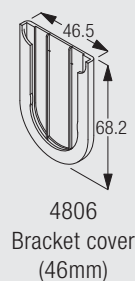
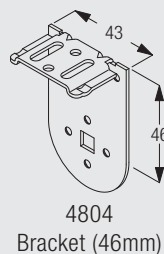
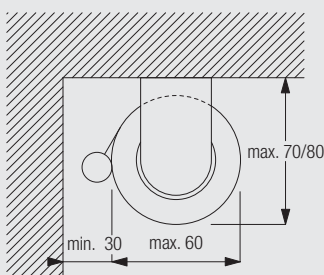


4810DF

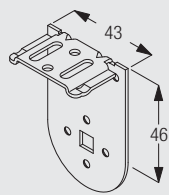
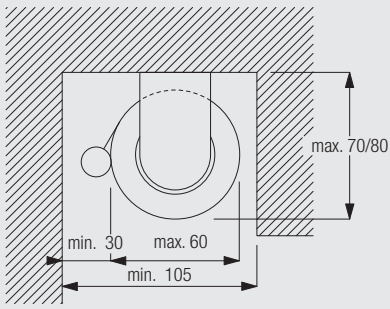
Fitting Options

CAD download from www.silentgliss.co.uk (password required).

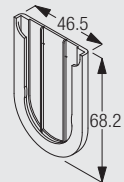
Ceiling fix



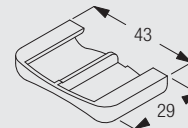
Recess fix



4804
Bracket (46mm)

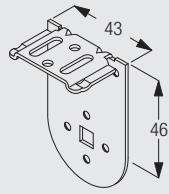
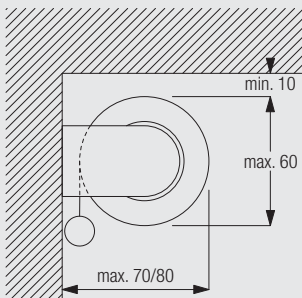


4806
Bracket cover
(46mm)

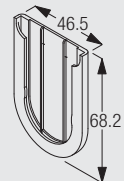


4809
Bracket cover

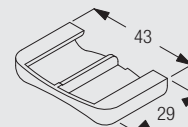
Wall fix



4804
Bracket (46mm)

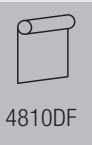
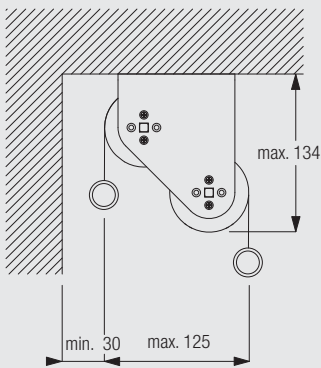


4806
Bracket cover
(46mm)

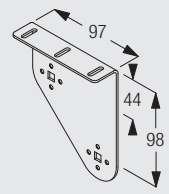


4809
Bracket cover

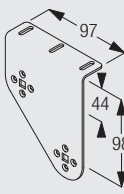
Ceiling fix with double brackets 4967 and 4968



4810DF

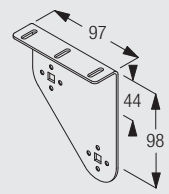
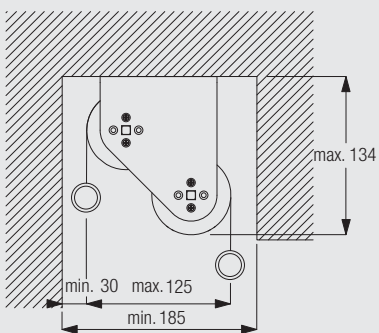


4967
Double Bracket

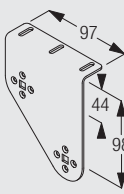


4968
Double Bracket

Recess fix with double brackets 4967 and 4968

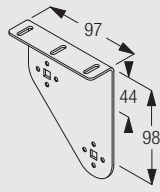
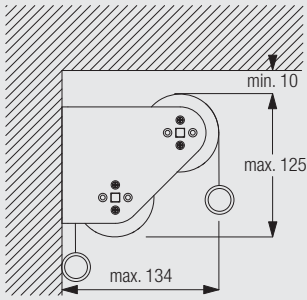


4967
Double Bracket

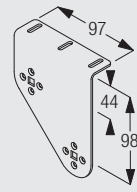


4968
Double Bracket

Wall fix with double brackets 4967 and 4968

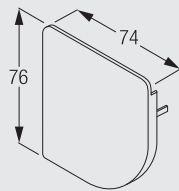
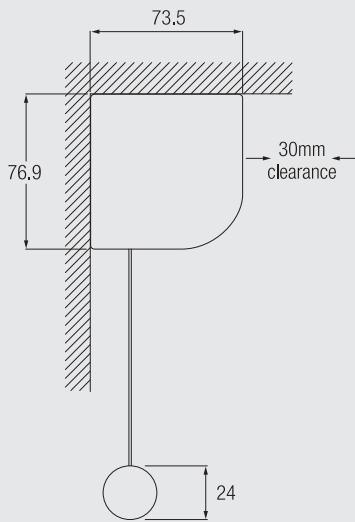


4967
Double Bracket

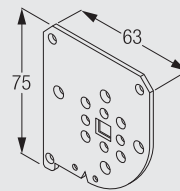


4968
Double Bracket

Ceiling fix with cassette

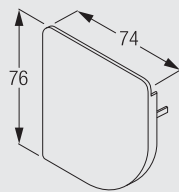
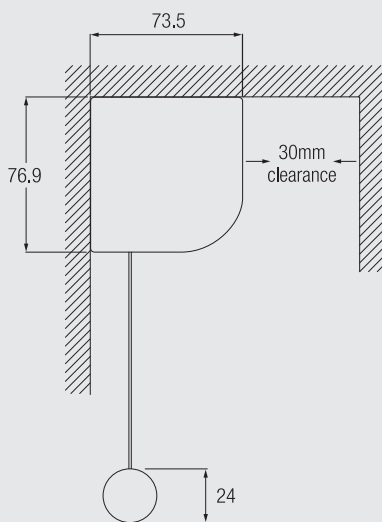


3187
Cassette Cover

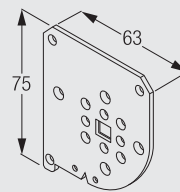


3186
Cassette Plate

Recess fix with cassette



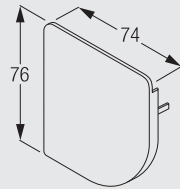
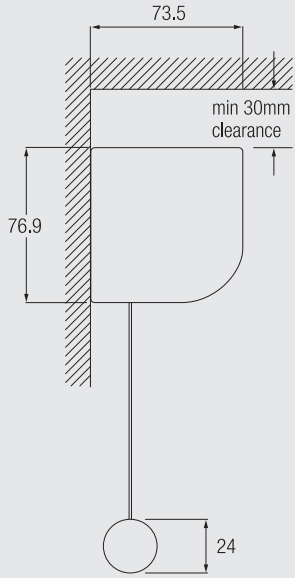
3187
Cassette Cover



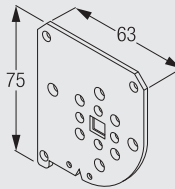
3186
Cassette Plate



Wall fix with cassette



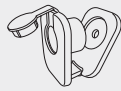
3187
Cassette Cover



3186
Cassette Plate

Standard Accessories

0998 Safety Cord Retainer



4221 Bottom bar



4224 Plastic strip (12mm)



4227 Profile



4241 Weight bar cap



4804 Bracket (46mm)



4806 Bracket cover (46mm)



4809 Bracket cover



4815 Fastener and chain cover



4868 Lock



Optional Accessories

2048 Plastic bead chain



2226 Bead chain stop



3033 Clamp



3799 Cord Tidy



4165 Bottom bar



4311 Metal bead chain connector



4802 Continuous headrail



4803 Bracket (36mm)



4805 Bracket cover (36mm)



4807 Intermediate bracket cover (36mm)



4808	Intermediate bracket cover (46mm)		4857	Plastic bead chain connector	
4885	Chain retaining collar		4967	Double Bracket	
4968	Double Bracket		10043	Metal cover for weight bar cap	
10380	Metal bracket, ceiling, left and right (46mm)		10383	Metal bracket, wall, right (46mm)	
10385	Metal bracket, wall, left (46mm)		10387	Cover for metal bracket	
10390	Metal bracket, ceiling, left (46mm)		10391	Metal bracket, ceiling, right (46mm)	
10392	Metal bracket, wall, left (46mm)		10393	Metal bracket, wall, right (46mm)	

Sets

Cassette, containing	21601	Rear Cassette Cover	1	
	21611	Front Cassette Cover	1	
	3186	Cassette Plate	2	
	3187	Cassette Cover	2	

4810DF

Useful Measurements

4803	Bracket (36mm)		4805	Bracket cover (36mm)	
------	----------------	--	------	----------------------	--