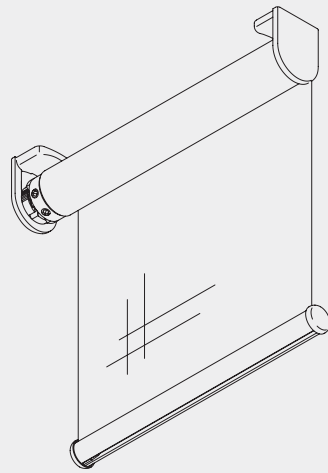


Electrically Operated Roller Blind System

Silent Gliss® 4860



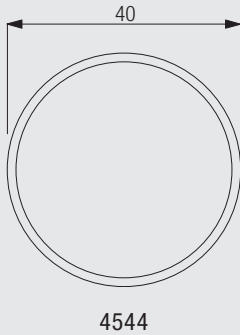
Product Information

- Light to medium duty, electrically operated roller blind for contract and domestic applications
- Full open-close-stop control available at all times
- Extremely quiet and fast mains powered motor
- Speed of operation 15cm/sec
- Easy wall/ceiling/recess fixing. Smart white/black bracket covers for outside recess applications
- Double system option allows two blinds to be mounted in parallel on the same set of brackets - ideal when sheer and dim-out shading is required at same window
- Standard white aluminium bottom bar. Optional silver or black
- Fixed switch or radio control
- Progressive limit switch unit for easy setting and consistent positioning
- Supplied made-to-measure ready-assembled with the technical or decorative fabric of your choice
- Can be combined with Radio Remote Control System Silent Gliss 9940/0450
- Optional cassette
- Optional coordinated metal brackets, bottom bar, endcaps and headrail which enhance the design of each roller blind system.



4860

Profile and Specification Information

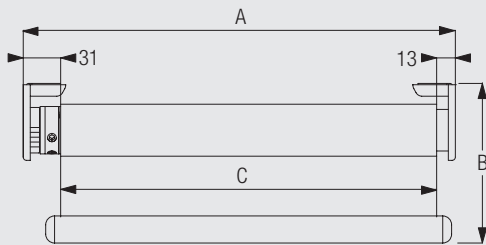


Specification Guide - download from the Silent Gliss Website (password required) www.silentgliss.co.uk

Electrically operated roller blind system 4860. Assembled complete with anodised aluminium headrail and 4803/4804 bracket set for wall or ceiling fixing. White bracket base covers 4809 as standard. White bracket covers 4805/4806 supplied for outside recess fixing. Double system option using brackets 4967/4968. White aluminium bottom weight bar with endcaps 4241. Powered by 230V 50Hz double insulated motor situated left side incorporating a progressive limit switch unit. Provided with 0615 switch and in-line connector 0766 as standard.

How to Measure

Single system



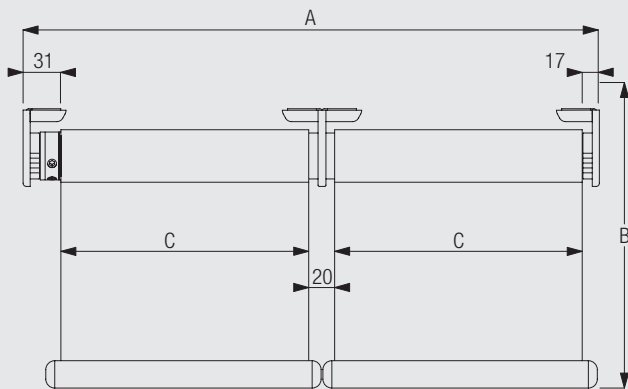
A: system width
B: system drop

Attention: when installing the blind without bracket covers left and right, the total system width will be reduced by 6mm (2 x 3mm).



4860

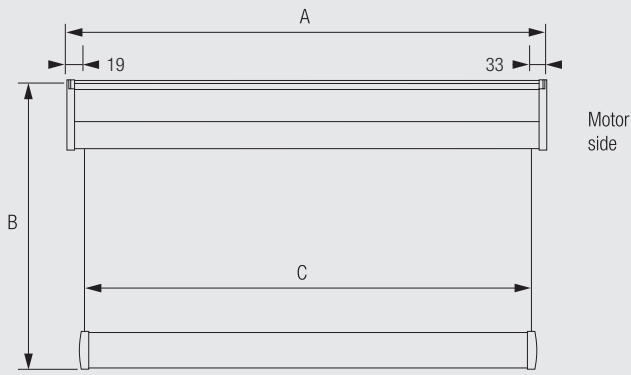
Side by side (linked) system



A: system width
B: system drop
C: fabric width

Attention: when installing the blind without bracket covers left and right, the total system width will be reduced by 6mm (2 x 3mm).

System with cassette (optional)



A: system width
B: system drop
C: fabric width

System Dimensions



Single system: 2.30m
Side by side (linked):
4.60m



60cm



3.50m



Single system: 7.5sqm
Side by side (linked):
12sqm

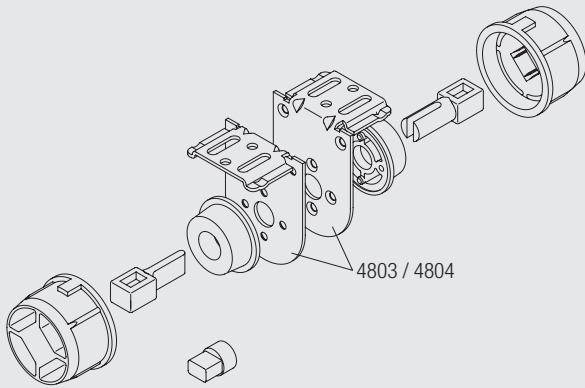


7.5kg

Note: When using the optional cassette there may be some fabric drop limitations - please consult Silent Gliss for further details.

System Options

Side by side (linked) systems with centre support bracket set 4876 (46mm - standard) and 4875 (36mm)



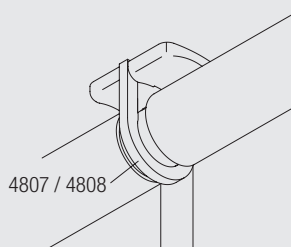
Increase of cost efficiency by using the optional centre support bracket set which allows to power two connected systems with one motor. It can also be combined with the continuous headrail for easy on-site fixing.

4807 Middle cover for bracket 4803 (36mm)
4808 Middle cover for bracket 4804 (46mm)



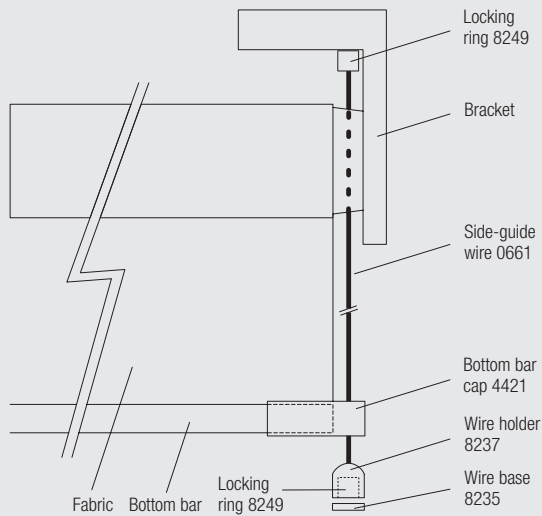
4860

Side-by-Side fixing of two systems



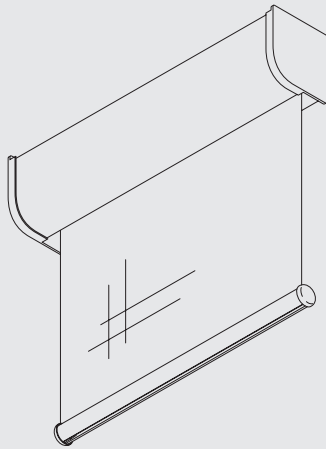
4807 Middle cover for bracket 4803 (36mm)
4808 Middle cover for bracket 4804 (46mm)

Side-guide option



The side guide wire is fixed to the bracket using a locking ring, it then passes down behind the barrel, down the side of the blind, passing through a bottom bar cap and is secured to the window frame using a second locking ring contained within a wire housing/wire base holder.

Cassette option

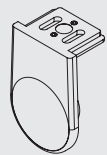


21601 rear cassette cover x 1
21611 front cassette cover x 1
3186 cassette plate x 2
3187 cassette cover x 2



4860

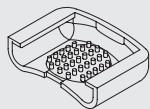
Metallic Line Option



Metal bracket
10389-94



Metal endcap
10043



Bracket cover
10387

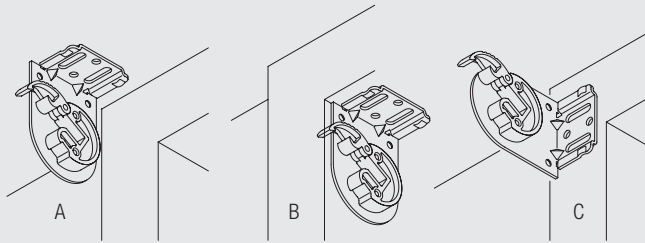


Continuous headrail
4802

Enhance the design of each roller blind system with optional metal brackets, bracket covers and coordinating metal bottom bar, endcaps and headrail.

Fitting Information

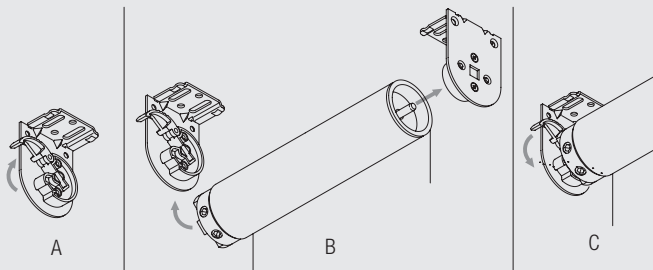
Bracket positioning and basic fitting features



- A: Ceiling fix
- B: Recess fix
- C: Wall fix

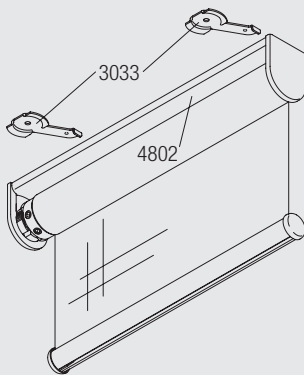
Two different brackets available: standard bracket 4804 (46mm) and optional bracket 4803 (36mm)

Easy front loading and removal of the blind



- A: Open click clasp on left side bracket
- B: Put blind into place: First right hand side, then left side
- C: Close click clasp

Alternative fixing with continuous headrail (optional)

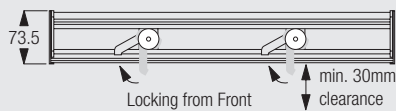


The complete system is pre-mounted on the continuous aluminium headrail for flexibility in fitting. Just mount the system with pre-fixed clamps 3033.



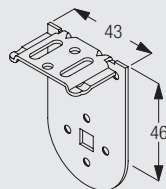
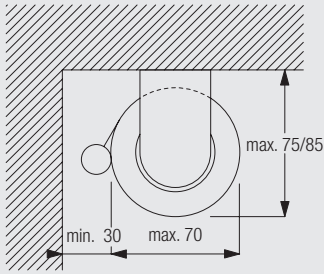
4860

Alternative fixing with cassette (optional)

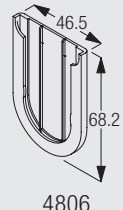


30mm allowance must be given for closure of clamps. Tip of clamps may show when ceiling fitted.

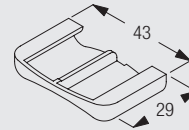
Ceiling fix



4804
Bracket (46mm)

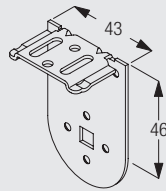
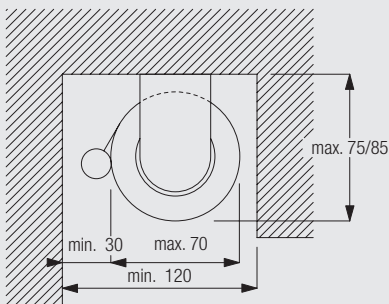


4806
Bracket cover
(46mm)

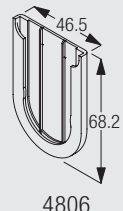


4809
Bracket cover

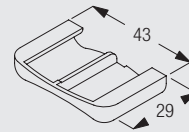
Recess fix



4804
Bracket (46mm)

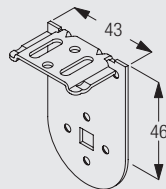
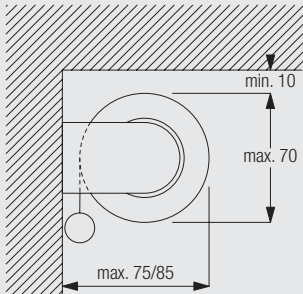


4806
Bracket cover
(46mm)

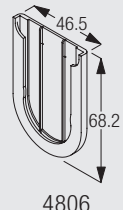


4809
Bracket cover

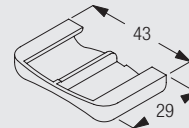
Wall fix



4804
Bracket (46mm)

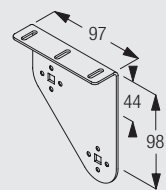
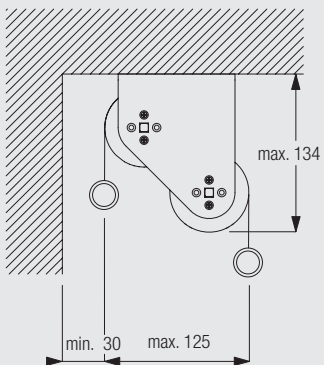


4806
Bracket cover
(46mm)

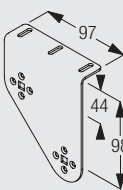


4809
Bracket cover

Ceiling fix with double brackets 4967 and 4968

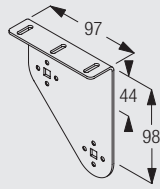
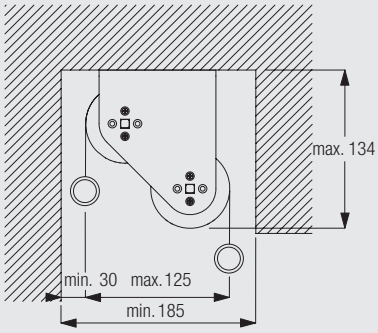


4967
Double Bracket

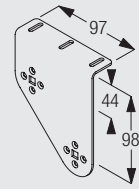


4968
Double Bracket

Recess fix with double brackets 4967 and 4968

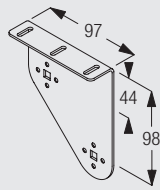
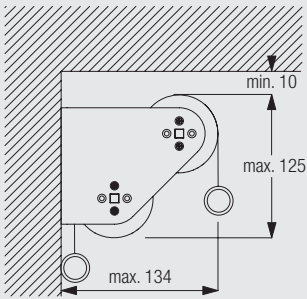


4967
Double Bracket

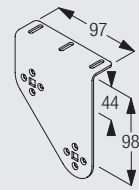


4968
Double Bracket

Wall fix with double brackets 4967 and 4968

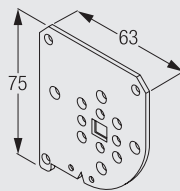
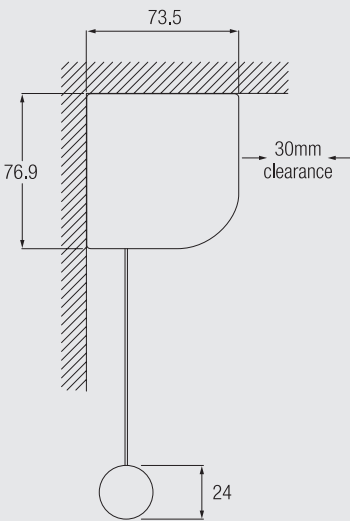


4967
Double Bracket

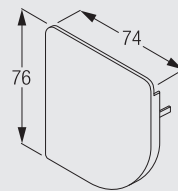


4968
Double Bracket

Ceiling fix with cassette (optional)



3186
Cassette Plate

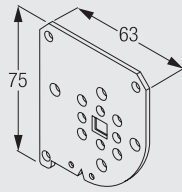
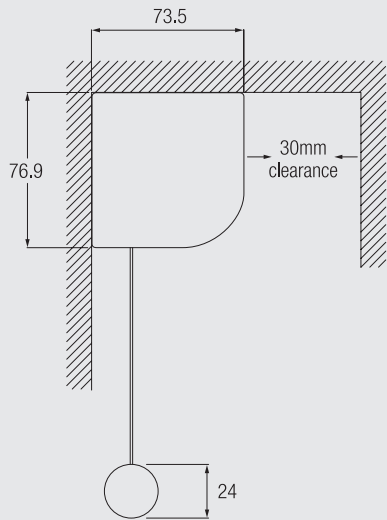


3187
Cassette Cover

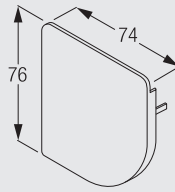


4860

Recess fix with cassette (optional)

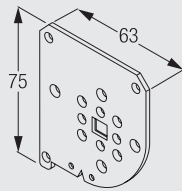
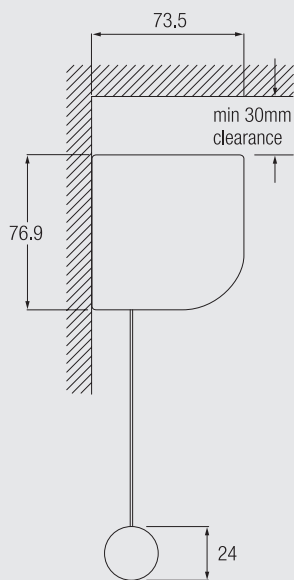


3186
Cassette Plate

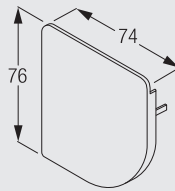


3187
Cassette Cover

Wall fix with cassette (optional)



3186
Cassette Plate



3187
Cassette Cover



4860

Standard Accessories

0766 In-line connector (complete/no lead)



4221 Bottom bar



4241 Weight bar cap



4257 Sleeve



4464 Adaptor



4544 Profile



4573 Master carrier



4804 Bracket (46mm)



4806 Bracket cover (46mm)



4809 Bracket cover



10320 Motor 20-Series, 230V


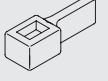
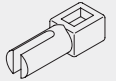





Optional Accessories

0578	Pattress box		0615	Latching switch inc. pattress box	
0997	Motor Test Lead		3033	Clamp	
4139	Bottom bar endcover (ø 19mm)		4165	Bottom bar	
4802	Continuous headrail		4803	Bracket (36mm)	
4805	Bracket cover (36mm)		4807	Intermediate bracket cover (36mm)	
4808	Intermediate bracket cover (46mm)		4967	Double Bracket	
4968	Double Bracket		5741	Klik plug	
5742	Klik socket		10043	Metal cover for weight bar cap	
10321	Motor 20-Series, 230V, radio receiver		10387	Cover for metal bracket	
10389	Metal bracket, wall and ceiling, right and left (46mm)		10390	Metal bracket, ceiling, left (46mm)	
10391	Metal bracket, ceiling, right (46mm)		10392	Metal bracket, wall, left (46mm)	
10393	Metal bracket, wall, right (46mm)				

4860

Sets

4876	Centre support bracket set (46mm) also available for 36mm brackets (set 4875) These parts can not be ordered separately		4871	Bearing	2	
			4872	Shaft	1	
			4873	Shaft	1	
			4874	Bearing	2	
			4877	Pin	1	
			4879	Bracket (46mm)	2	

Cassette, containing	21601	Rear Cassette Cover	1	
	21611	Front Cassette Cover	1	
	3186	Cassette Plate	2	
	3187	Cassette Cover	2	

Overview Motors & Controls

Motor and Control Features	Motor
	10320, 10321

Motor Features

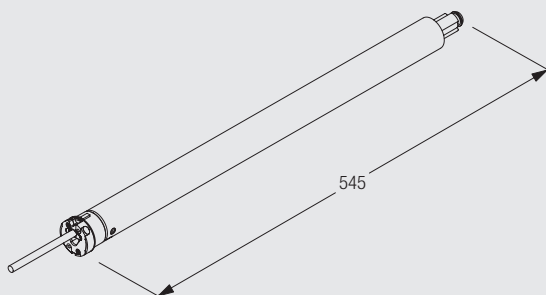
Electronical end-stop programming with Silent Gliss transmitters or motor test lead	•
Electronical revolution counter (unlimited revolution)	•
Two intermediate positions possible (only applicable with built-in motor receiver)	•
Exact programming of intermediate positions possible	•
Parallel wiring possible without additional relays	•
Parallel wiring possible without additional relays with built-in motor receiver	•
Soft stop	•
No stop clicking	•
Cable connectable with plug into motor and available in different lengths	•

Control Features

Silent Gliss Radio Remote Control System 9940 (only applicable with built-in motor receiver)	•
Silent Gliss Radio Remote Control System 0450 (external receiver necessary)	•
Suitable for all common home automation and bus systems	•

Motorisation

Motor Silent Gliss 10320/10321(230V)



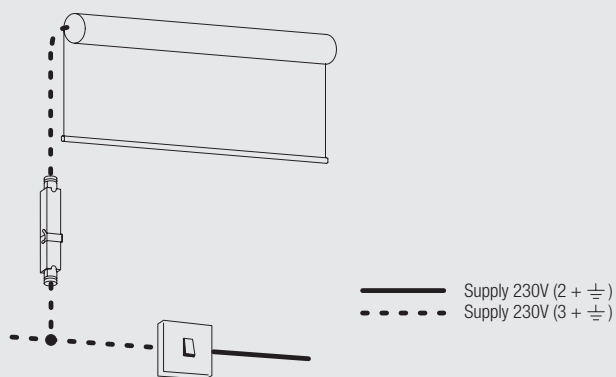
- Voltage: 230V
- Frequency of Receiver of Motors 10321: 915MHz
- Torque: 1.5Nm
- Speed: 70rpm
- Frequency: 50Hz
- Power: 135W
- Current: 0.60A
- Thermal overload protection
- CE Standard
- Cable pluggable



4860

Operating methods

Operation via fixed switch with motor 10320

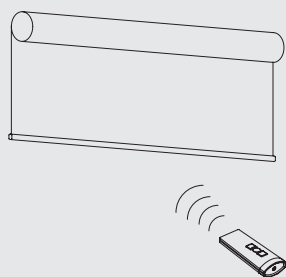


Up to 10 motors can be wired in parallel, cumulative total load must be 25% below the switch/fuse rating.

When using the Fixed Switch control for multiple blinds, when operating simultaneously the blinds may not necessarily stop at precisely the same intermediate point. Top and bottom levels can be preset in alignment.

If this is a requirement then we recommend using Radio Control System 4450/0450 with individual and simultaneous switching.

Operation with Radio Remote Control System 9940 or 0450



System 4860 can be combined with Radio Remote Control System Silent Gliss 9940 using motor 10321 (integrated receiver) or Radio Remote Control system 0450 using motor 10320 (non integrated receiver) with minimum wiring. For further details, please refer to catalogue section "Motors & Controls".

Wiring and connections

Important: Wiring diagrams are available on the Silent Gliss Website (password required) www.silentgliss.co.uk.



4860