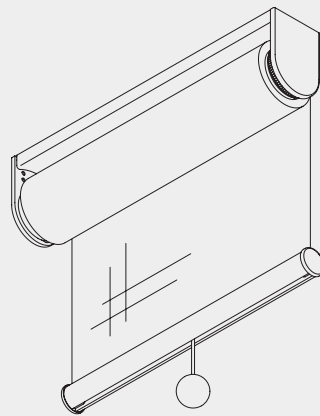


## Spring Operated Roller Blind System

# Silent Gliss® 4900



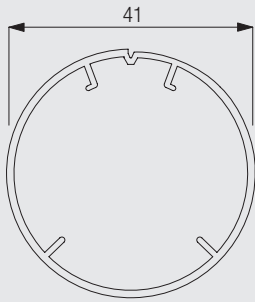
### Product Information

- Silent and smooth spring operated roller blind system for residential and contract applications
- Pull ball operation
- Unique speed controller ensures a smooth, controlled ascent
- Optional end stop controller allows upper end stop limit adjustments - ideal when systems are mounted side-by-side and need to stop at the same level
- Stop clutch mechanism halts the blind at any given position
- Easy wall, ceiling or recess fix
- System supplied with pre-mounted installation profile in white as standard
- Side-by-side version with centre support bracket and minimal light gap
- Side guide option available
- Choice of bottom bar designs



4900

## Profile and Specification Information



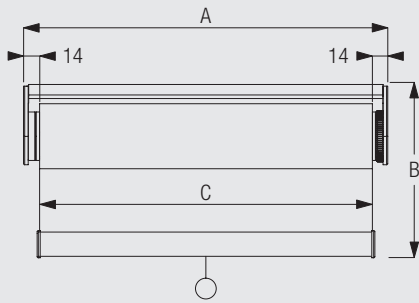
10531

Specification Guide - download from [www.silentgliss.co.uk](http://www.silentgliss.co.uk) (password required).

Silent Gliss spring operated roller blind 4900 with speed controller 10650. Fixed to wall/ceiling/inside recess with 3044 clamp/10539 click bracket, using installation profile 10534 and endcovers 10574. Spring 10561-10567 to be specified according to weight and characteristics of fabric. Aluminium bottom bar 4221 in white/silver as standard (other shape options available). Optional 10570 stop controller to be fitted to guarantee exact stop position of blind.

## How to Measure

### Single system



A: system width (including bracket covers)

B: system drop

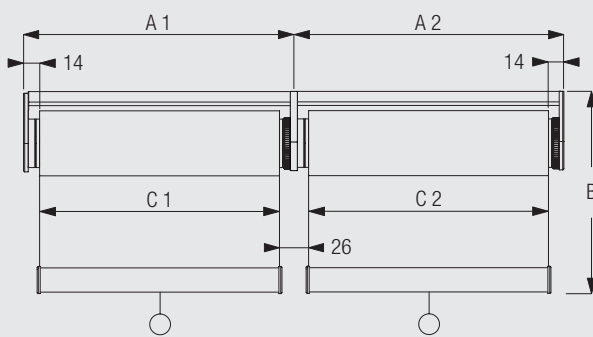
C: fabric width

Please note: measurements differ when side-guide option is used.



4900

### Side-by-side systems (unconnected)



A: system width (including bracket covers)

B: system drop

C: fabric width

Please note: measurements differ when side-guide option is used.

## System Dimensions



Single system: 2.4m



42cm



3m



7.2m<sup>2</sup>



2.2kg

Maximum system width to drop ratio should not exceed 3.5:1

Please note: The maximum system width/drop is also dependant on the fabric type.

### Maximum system drop

**Wall fitting:**

Fabric thickness	mm	0.15	0.20	0.25	0.30	0.35	0.40	0.45	0.50	0.55	0.60	0.65	0.70	0.75	0.80
Max. system drop	cm	300	300	300	300	300	300	300	300	300	290	270	250	230	220

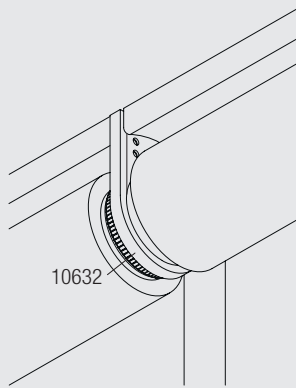
**Ceiling fitting:**

Fabric thickness	mm	0.15	0.20	0.25	0.30	0.35	0.40	0.45	0.50	0.55	0.60	0.65	0.70	0.75	0.80
Max. system drop	cm	300	300	300	300	300	300	300	300	300	300	300	300	300	280

To obtain fabric thickness information for a specific Silent Gliss fabric, please refer to the Silent Gliss fabric binder or contact Silent Gliss.

## System Options

### Side-by-side fixing of two systems

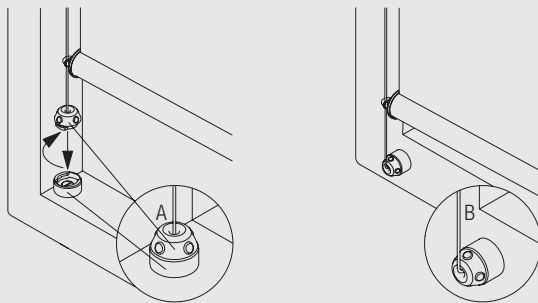


10632 Intermediate cover



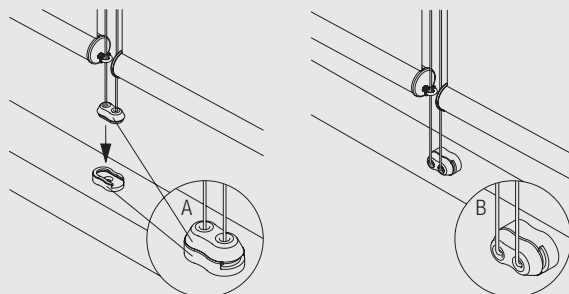
### Side guides for stabilising blind systems and sloped applications (up to 15° incline)

**Single system**

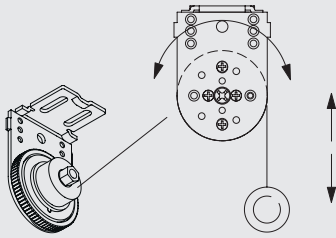


A: Fitting of side guides inside window frame  
B: Fitting of side guides onto front of window frame

**Double system**



## Adjustable end stop



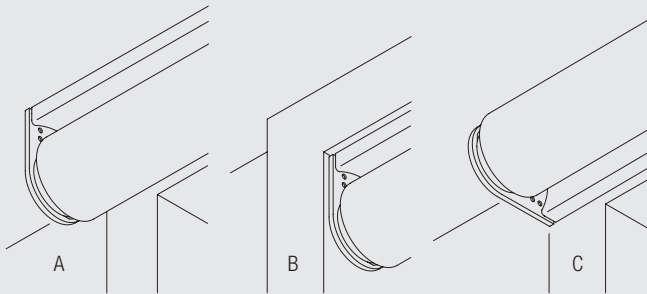
Optional end stop is built-in on the left hand side of roller blind as standard (fabric rolls off back of barrel). For reverse roll blinds (fabric rolls off front of barrel), the end stop is fitted to the right hand side.

## Stop Controller

The stop controller mechanism halts the blind at any given position - ideal for very tall windows or contracts where all blinds must be at the same level from the outside

## Fitting Information

### Positioning of system

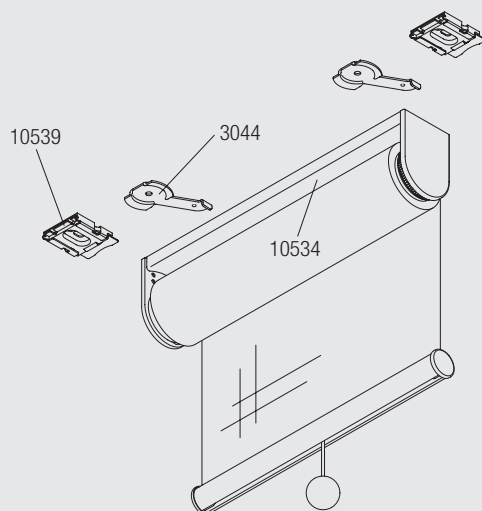


A: Ceiling Fixing  
B: Recess Fixing  
C: Wall Fixing



4900

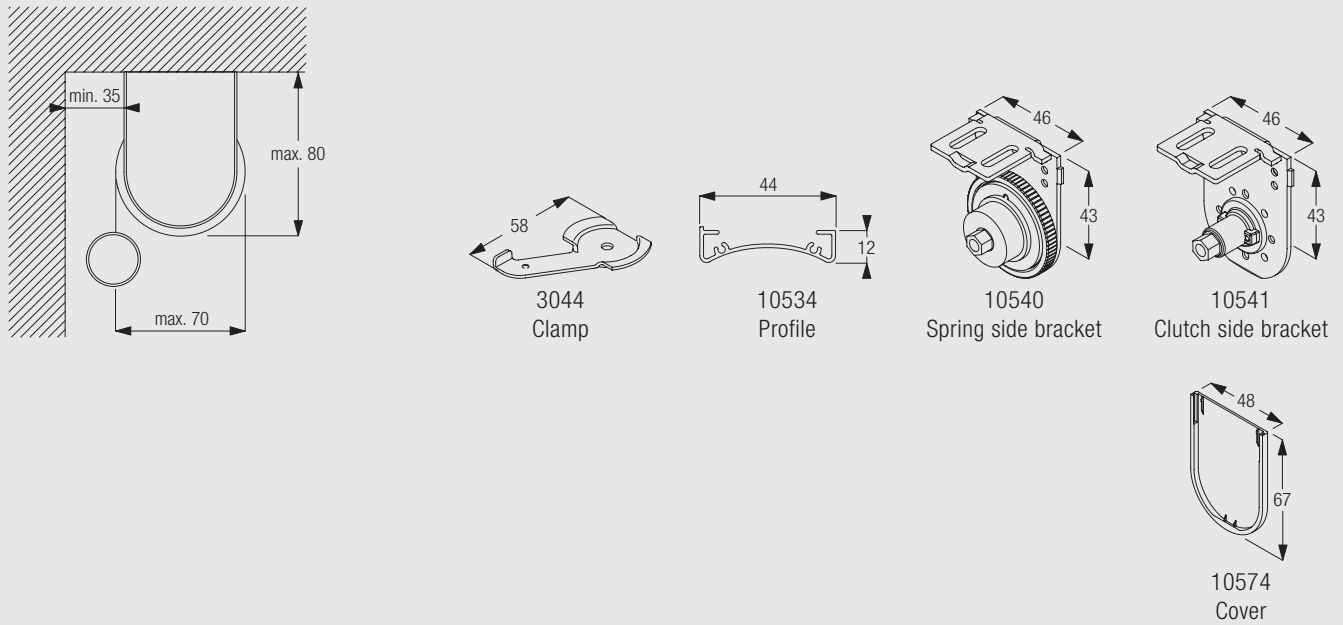
### Fixing with installation profile



The system is only available with pre-mounted installation profile 10534.

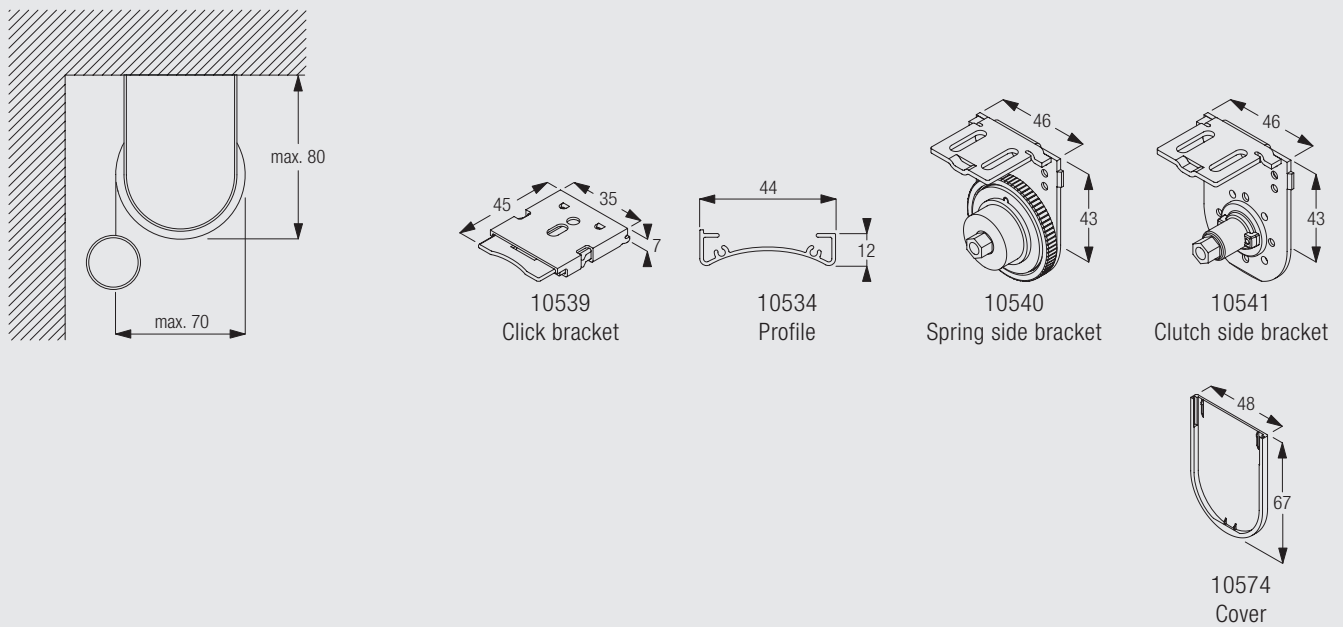
Just mount the system with pre-fixed clamps 3044 or click brackets 10539.

Ceiling fix with installation profile and clamps 3044



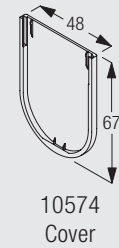
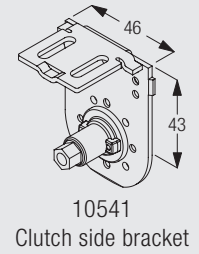
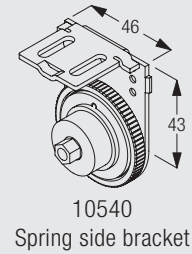
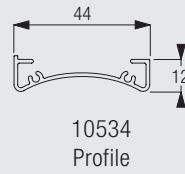
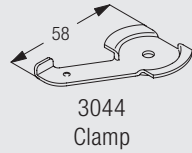
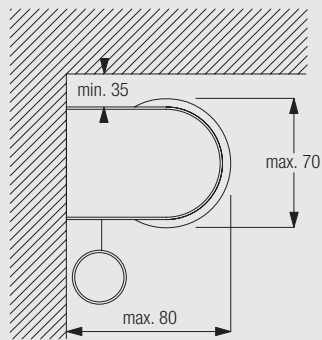
Measurements based on maximum system dimensions.

Ceiling fix with installation profile and click brackets 10539



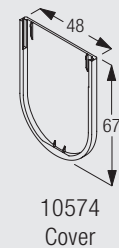
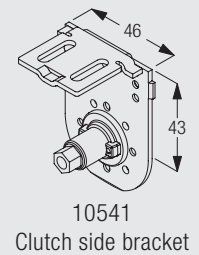
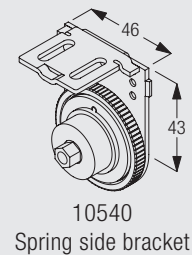
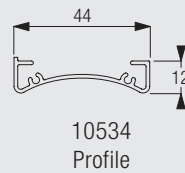
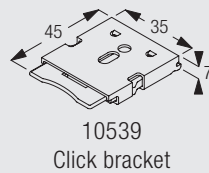
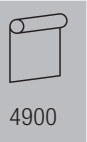
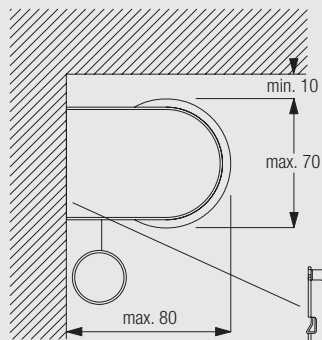
Measurements based on maximum system dimensions.

Wall fix with installation profile and clamps 3044



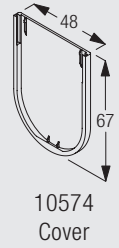
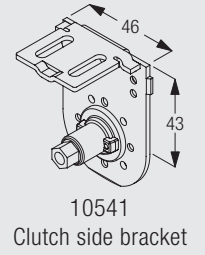
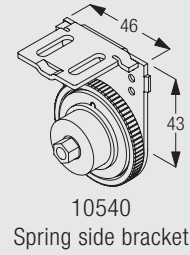
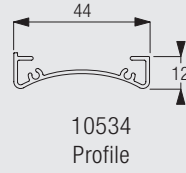
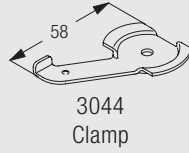
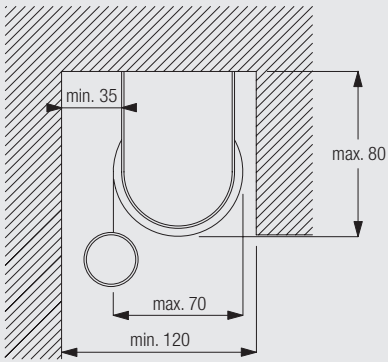
Measurements based on maximum system dimensions.

Wall fix with installation profile and click bracket 10539



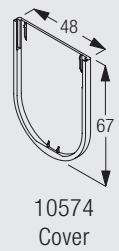
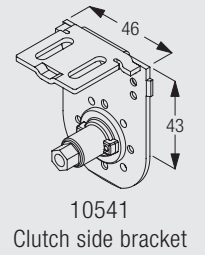
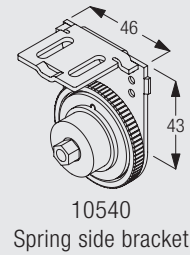
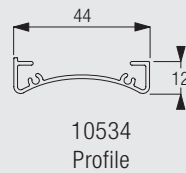
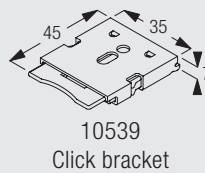
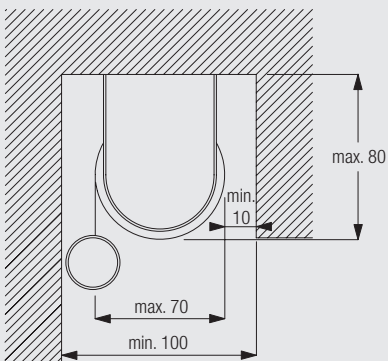
Measurements based on maximum system dimensions.

Recess fix with installation profile and clamps 3044



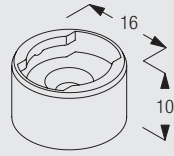
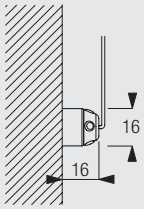
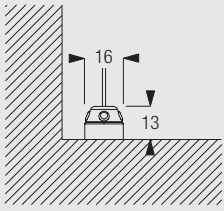
Measurements based on maximum system dimensions.

Recess fix with installation profile and click bracket 10539

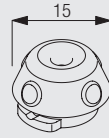


Measurements based on maximum system dimensions.

## Fixing with side guide option

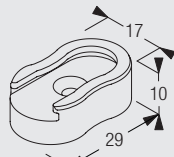
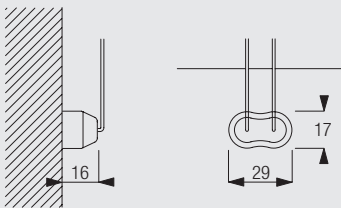
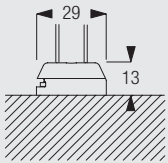


8236  
Wire base long

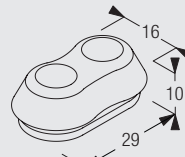


8237  
Wire holder

## Fixing with side guide option (side-by-side installation)



10669  
Double base long  
(side guide)



10701  
Double wire holder  
(side guide)



4900

## Standard Accessories

3044 Clamp



4246 Pull ball set



10534 Profile



10541 Clutch side bracket



10639 End cover round



4221 Bottom bar



10531 Profile



10540 Spring side bracket



10574 Cover



10645 Pull grip set



## Optional Accessories

8235 Wire base short




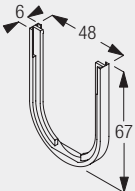
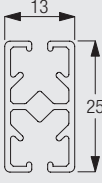
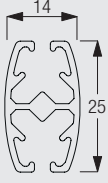
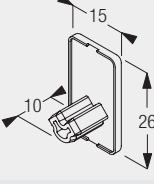
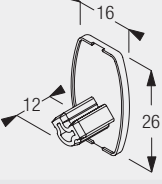
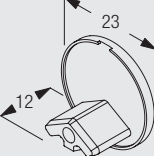
8236 Wire base long





8237	Wire holder		8249	Locking ring	
10539	Click bracket		10569	Clutch set stop controller	
10570	Stop controller		10632	Intermediate cover	
10633	Bottom bar rectangle		10634	Bottom bar oval	
10635	End cover rectangle		10636	End cover rectangle (side guide)	
10637	End cover oval		10638	End cover oval (side guide)	
10640	End cover round (side guide)		10641	Eyelet (side guide)	
10642	Wire holder (side guide)		10643	Wire $\varnothing$ 1.3mm x 4.2m (side guide)	
10669	Double base long (side guide)		10673	Double base short (side guide)	
10701	Double wire holder (side guide)		10706	Wire $\varnothing$ 1.3mm x 2.6m (side guide)	

## Useful Measurements

4221	Bottom bar		10632	Intermediate cover	
10633	Bottom bar rectangle		10634	Bottom bar oval	
10635	End cover rectangle		10637	End cover oval	
10639	End cover round				



4900