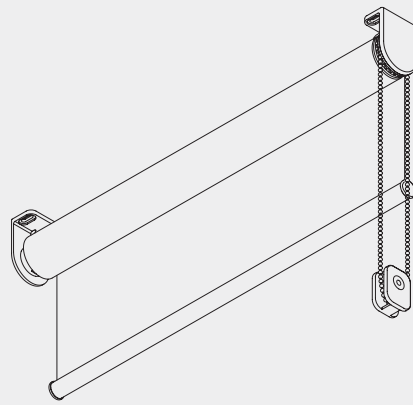


Chain Operated Roller Blind System

Silent Gliss® 4907



Product Information

- Stylish but functional chain operated roller blind system for contract applications.
- Smooth operation with stainless steel bead chain.
- The blind can be stopped at any given position.
- Elegant and identical (left/right) full metal brackets powder coated in white.
- Easy installation allowing the operation side to be changed.
- All parts are made of high quality materials and combine elegant appearance and high durability.
- Slim, elegant bottom bar in white or grey.



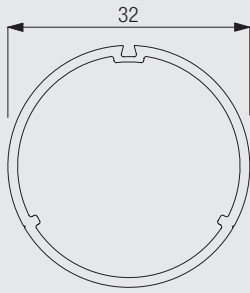
4907

Supplied by

SG-S | Silent Gliss Spares
Silent Gliss Systems

www.sg-s.co.uk email: sales@sg-s.co.uk tel: 01395 232528

Profile and Bending Information



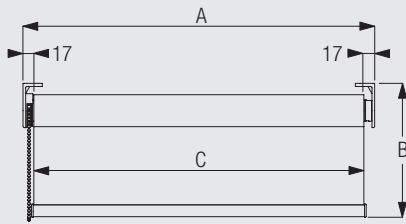
4227



Cannot be bent

How to Measure

Measurement information



A: System width
B: System drop
C: Fabric width

System Dimensions



1.8m



50cm



2.8m



5m²



2.5kg



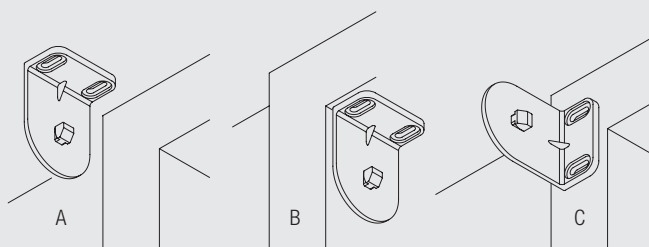
4907

Fitting Information

WARNING

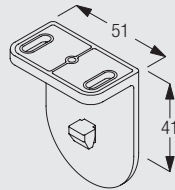
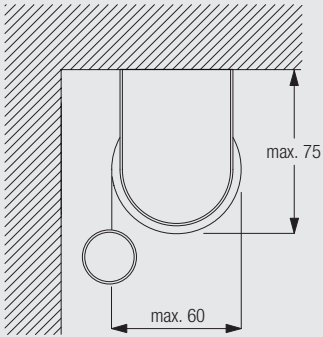
Young children can be strangled by loops in pullcords, chains, tapes and inner cords that operate the product. To avoid strangulation and entanglement, keep cords out of the reach of young children. Cords may become wrapped around a child's neck. Move beds, cots and furniture away from window covering cords. Do not tie cords together. Make sure cords do not twist to create a loop.

Bracket positioning and basic fitting features



A: Ceiling Fixing
B: Recess Fixing
C: Wall Fixing

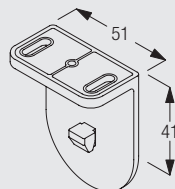
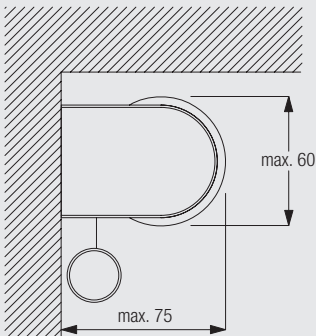
Ceiling fitting



10873
Bracket (white)

All these measures are based on the maximum system dimensions.

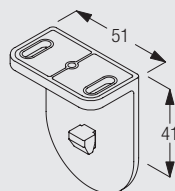
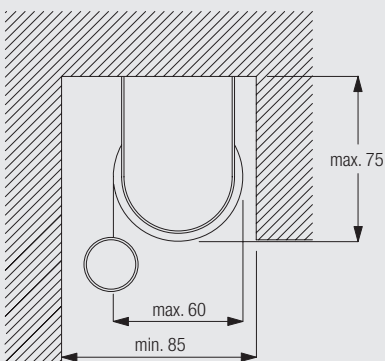
Wall fitting



10873
Bracket (white)

All these measures are based on the maximum system dimensions.

Recess fitting




10873
Bracket (white)

All these measures are based on the maximum system dimensions.


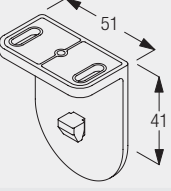
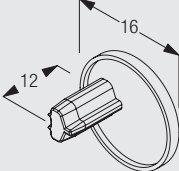


4907

Standard Accessories

4227	Profile		4845	Metal bead chain	
10400	Safety Cord Retainer		10872	Profile for bottom bar (white or grey)	
10873	Bracket (white)		10874	End cover for bottom bar (white or grey)	
10880	Chain drive 32 mm		10885	Click support	

Useful Measures

10872	Profile for bottom bar (white or grey)		10873	Bracket (white)	
10874	End cover for bottom bar (white or grey)				



4907

Supplied by



www.sg-s.co.uk email: sales@sg-s.co.uk tel: 01395 232528

www.silentgliss.co.uk

www.silentglissglobal.com

Silent Gliss Ltd
Pyramid Business Park
Poorhole Lane
Broadstairs
Kent
CT10 2PT
Great Britain

Tel: +44 (0) 1843 863571
Fax: +44 (0) 1843 864503
info@silentgliss.co.uk

Silent Gliss Global Ltd
Pyramid Business Park
Poorhole Lane
Broadstairs
Kent
CT10 2PT
Great Britain

Tel: +44 (0) 1843 874250
Fax: +44 (0) 1843 874457
info@silentglissglobal.com