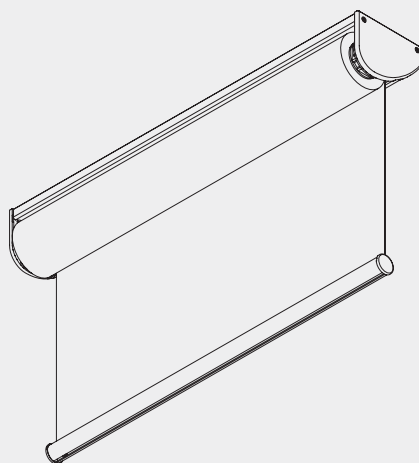


## Battery Operated Roller Blind System

# Silent Gliss® 4955



### Product Information

- Elegant battery operated, radio controlled roller blind system for contract and residential applications.
- Battery pack concealed in fascia profile. Batteries are easily exchanged.
- Long lasting battery life, up to three years (depending on usage, system size, fabric and battery type, room temperature)
- Easy wall, ceiling or recess fixed.
- Choice of bottom bar designs.
- Supplied complete with motor, ready assembled, made-to-measure with fabric.
- Compliant with Child Safety Legislation (EN13120)



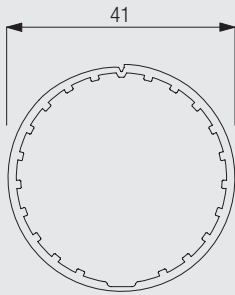
4955

Supplied by

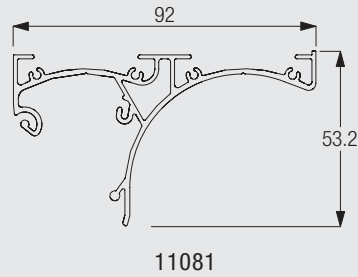
**SG-S** | Silent Gliss Spares  
Silent Gliss Systems

www.sg-s.co.uk email: sales@sg-s.co.uk tel: 01395 232528

## Profile and Bending Information



10532



11081

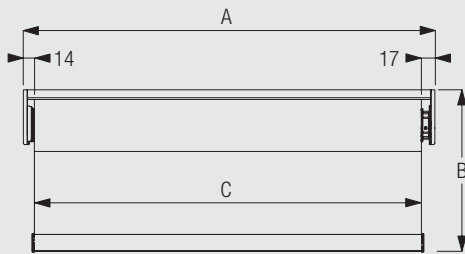


Specification Guide - download from the Silent Gliss Website (password required) [www.silentgliss.co.uk](http://www.silentgliss.co.uk)

Battery operated roller blind system 4955. Assembled complete with anodised aluminium headrails 10532/11081. Bottom bar 4221 / 10633 / 10634. Battery motor 11076 controlled by radio wall switch 10949 as standard. Other control options are wall switches 10950/10951 and radio remote handsets 10946/10947/10948.

## How to Measure

### Measurement information



A: System width  
B: System drop  
C: Fabric width



4955

## System Dimensions



2.4m



60 cm



4m



2.5kg  
(incl. bottom weight)

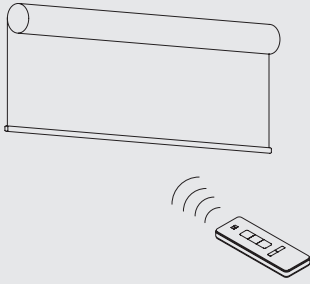
### Maximum system drop

Fabric thickness	mm	0.15	0.20	0.25	0.30	0.35	0.40	0.45	0.50	0.55	0.60	0.65	0.70	0.75	0.80
Max. system drop	cm	400	400	400	400	400	400	390	350	320	290	270	250	230	220

Please note: The max. system width/drop also depends on the fabric type.

## System Features

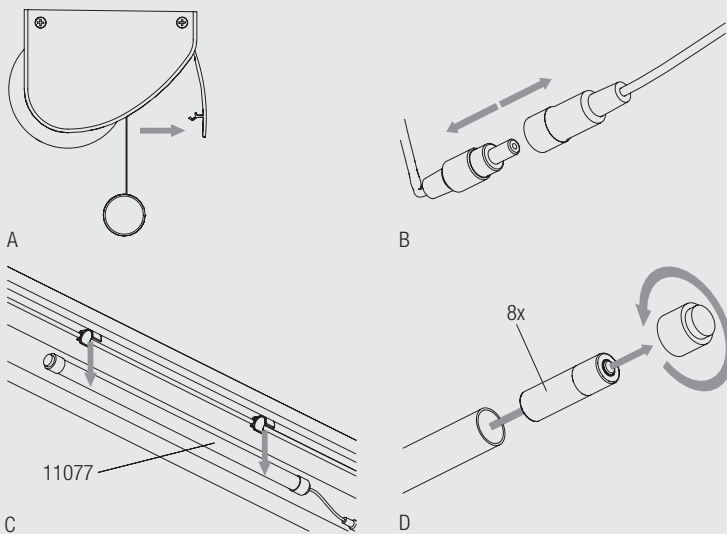
### Radio hand-held and wall controls



The motor SG 11076 features an integrated radio receiver. Combined with radio remote controls and wall switches, this system offers maximum comfort without wiring.

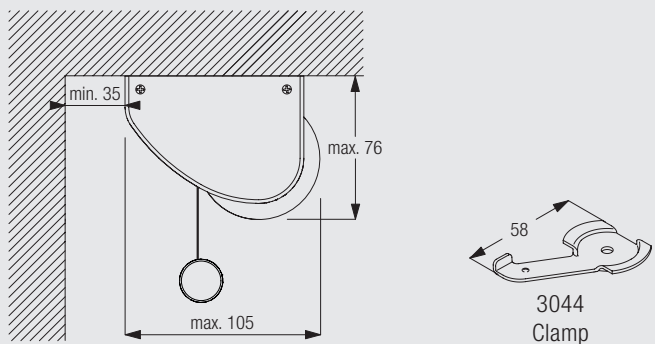
**Note:** The blind is supplied as standard with a WALL SWITCH, hand held remote controls can be purchased separately, see Optional Accessories.

### Battery exchange



## Fitting Options

### Ceiling fitting with clamps 3044

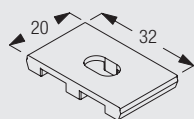
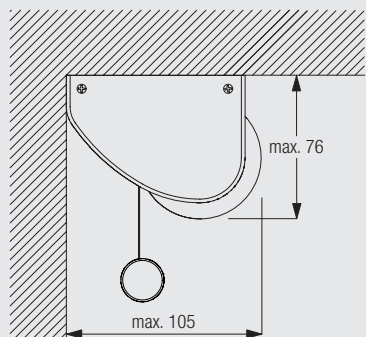


All these measures are based on the maximum system dimensions.



4955

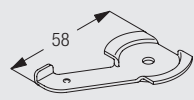
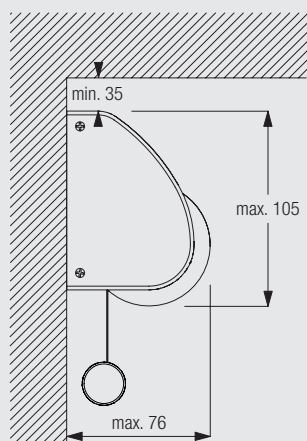
## Ceiling fitting with direct mounting



11086  
Installation support  
plate

All these measures are based on the maximum system dimensions.

## Wall fitting with clamps 3044



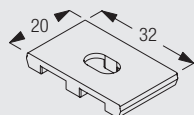
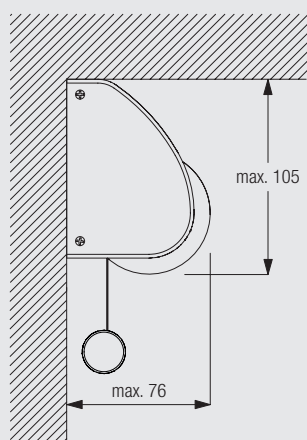
3044  
Clamp

All these measures are based on the maximum system dimensions.



4955

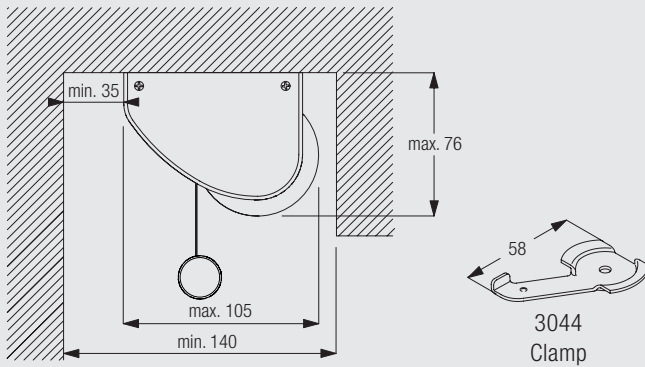
## Wall fitting with direct mounting



11086  
Installation support  
plate

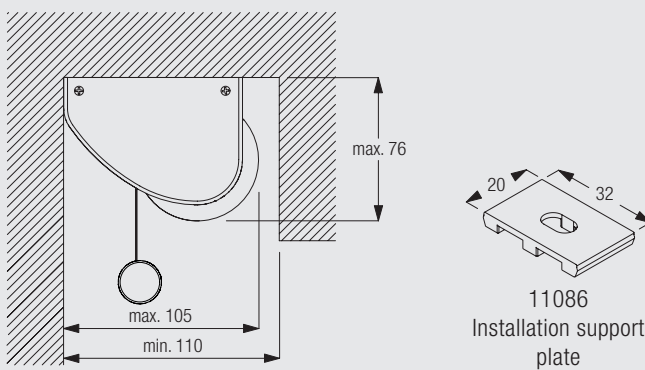
All these measures are based on the maximum system dimensions.

## Recess fitting with clamps 3044



All these measures are based on the maximum system dimensions.

## Recess fitting with direct mounting



All these measures are based on the maximum system dimensions.

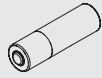
## Standard Accessories



4955

3044	Clamp		4221	Bottom bar	
10532	Profile		10543	Support bracket click side	
10544	Support bracket drive side (24V DC motor)		10639	End cover round	
10949	Radio wall transmitter, 1 channel		11076	Motor, 1.2 Nm	
11077	Battery box		11081	Profile	
11082	Profile cover		11083	Cover right	
11084	Cover left		11085	Battery box holder	

11099 Alkaline AA battery



## Optional Accessories

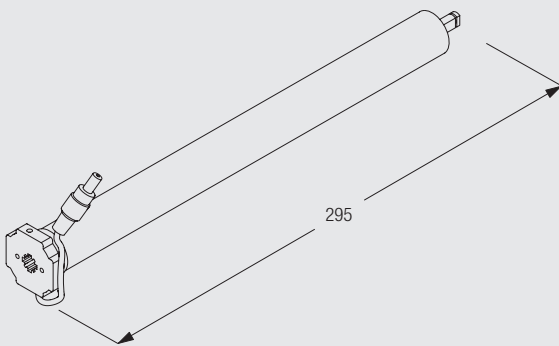
10633	Bottom bar rectangle		10634	Bottom bar oval	
10635	End cover rectangle		10637	End cover oval	
10946	Radio hand-held transmitter, 1 channel		10947	Radio hand-held transmitter, 2+1 channel	
10948	Radio hand-held transmitter, 6+1 channel		10950	Radio wall transmitter, 2 channel	
10951	Radio wall transmitter, 5+1 channel		11086	Installation support plate	
11092	Single Channel Timer (Radio)		11093	Multi-Channel Radio Control Timer	

## Motor & Controls

### Motor Silent Gliss 11076



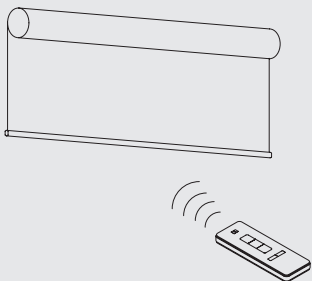
4955



- Voltage: DC 12 V
- Torque: 1.2 Nm
- Speed: 30 rpm
- Power: 6.6 W
- Current: 550 mA

### Operation Methods

Radio hand-held and wall controls



The motor SG 11076 features an integrated radio receiver. Combined with radio remote controls and wall switches, this system offers maximum comfort without wiring.

**Note:** The blind is supplied as standard with a WALL SWITCH, hand held remote controls can be purchased separately, see Optional Accessories.

Supplied by



www.sg-s.co.uk email: sales@sg-s.co.uk tel: 01395 232528

[www.silentgliss.co.uk](http://www.silentgliss.co.uk)

[www.silentglissglobal.com](http://www.silentglissglobal.com)

Silent Gliss Ltd  
Pyramid Business Park  
Poorhole Lane  
Broadstairs  
Kent  
CT10 2PT  
Great Britain

Tel: +44 (0) 1843 863571  
Fax: +44 (0) 1843 864503  
info@silentgliss.co.uk

Silent Gliss Global Ltd  
Pyramid Business Park  
Poorhole Lane  
Broadstairs  
Kent  
CT10 2PT  
Great Britain

Tel: +44 (0) 1843 874250  
Fax: +44 (0) 1843 874457  
info@silentglissglobal.com