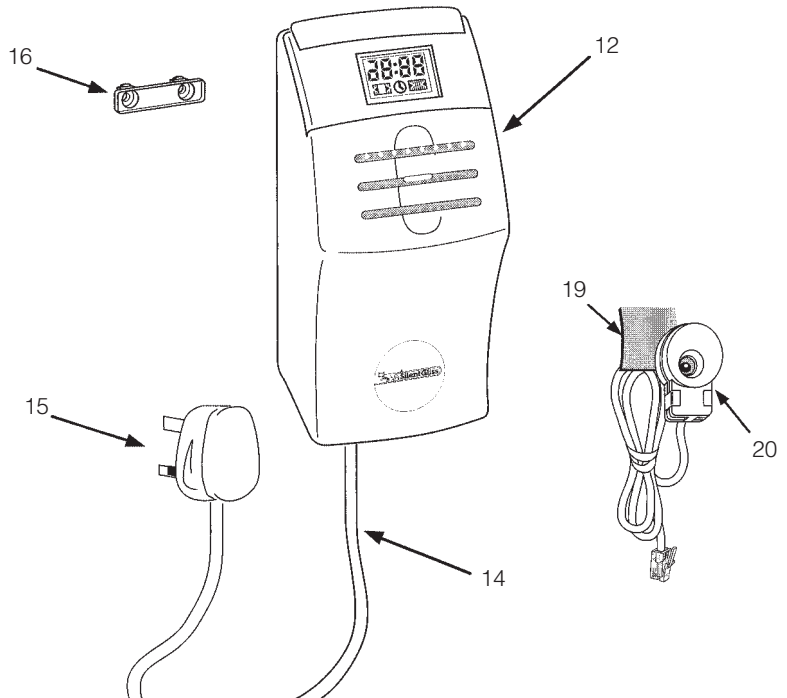
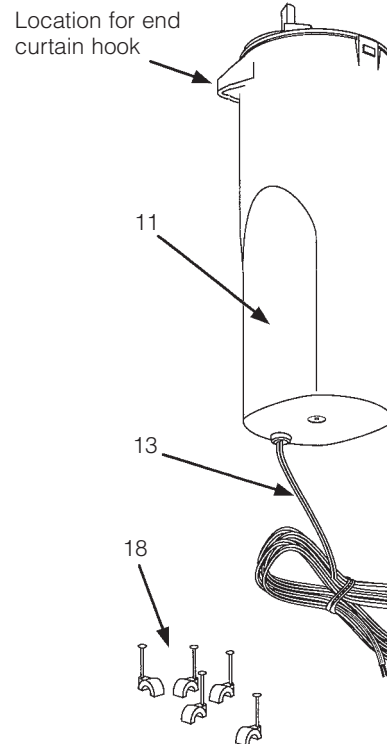
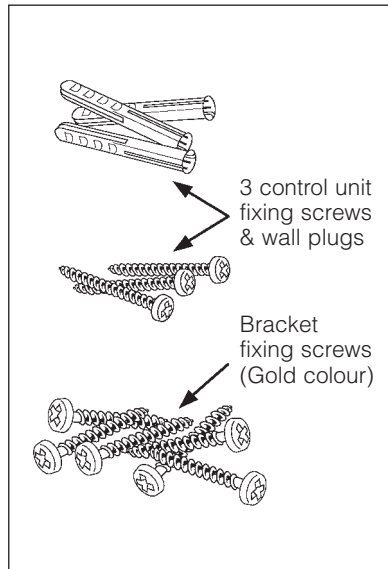
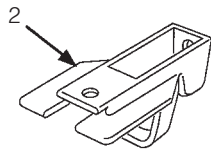
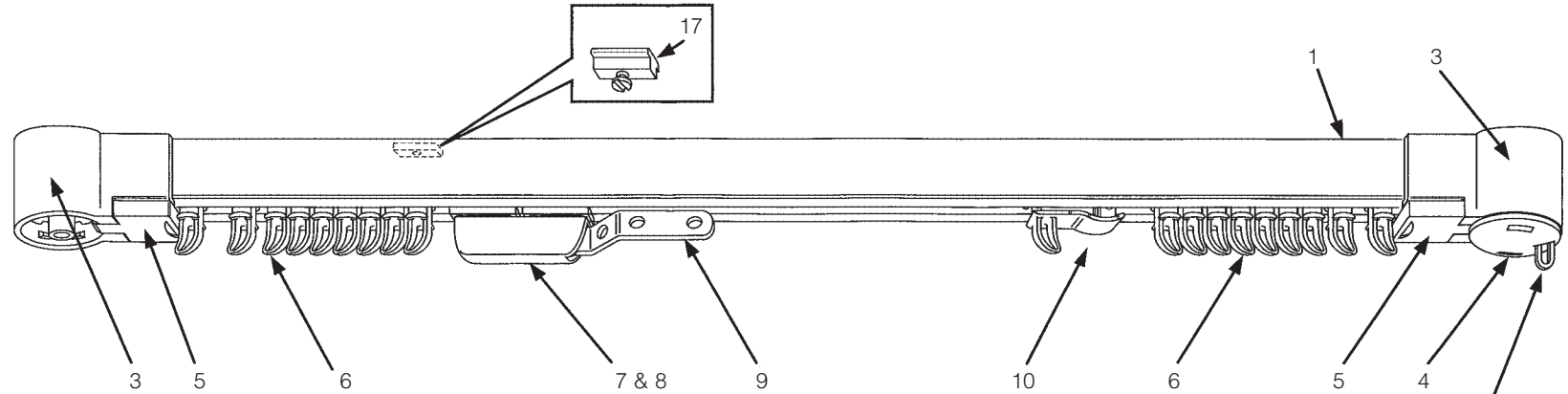


A few minutes spent familiarising yourself with these components will save you time when carrying out the installation.

- 1 TRACK
- 2 BRACKET
- 3 PULLEY HOUSING
- 4 BLANKING PLATE
- 5 LOCKING PLATE
- 6 GLIDER
- 7 FIXED CARRIER
- 8 FIXED CARRIER COVER
- 9 OVERLAP ARM
- 10 FLOATING CARRIER
- 11 MOTOR UNIT
- 12 CONTROL UNIT
- 13 MOTOR CABLE
- 14 MAINS CABLE
- 15 PLUG
- 16 FIXING PLATE
- 17 STACK BACK STOP (INSIDE TRACK)
- 18 CABLE CLIPS
- 19 ADHESIVE PAD
- 20 LIGHT SENSOR



Location for end curtain hook

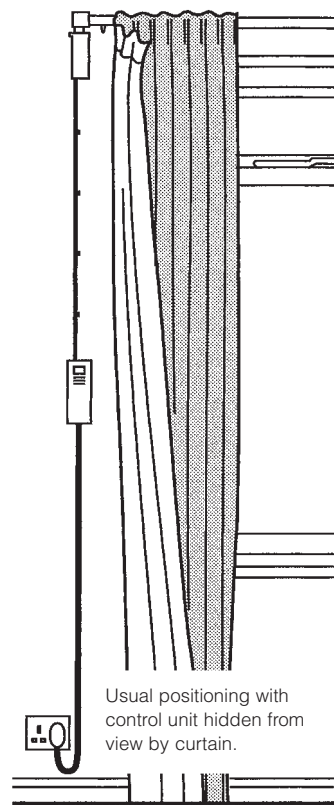
## 1 DECIDING THE BEST POSITION

### Points to consider when planning your installation

Autoglide may trigger some types of burglar alarm. This may usually be remedied by relocation of, or a change of burglar alarm sensor. If in doubt, consult your burglar alarm supplier.

- It may be easiest to have the control unit on the same side of the window as the nearest plug socket.
- You might choose to position the control unit so that it is hidden from view by your curtains.
- You may wish to ensure the control unit is out of reach of young children, though it should still be easily accessible to you.
- The control unit should not be placed where there is a risk of condensation dripping on to it from a window sill or used in damp environments such as bathrooms.

**When fixing avoid any hidden cabling in wall. If in doubt consult a qualified electrician.**



## 2 TOOLS FOR FIXING

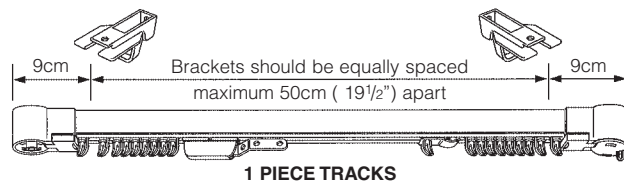
Your track pack contains everything you need to fix the track to a wooden batten. If fixing directly to a wall or ceiling, appropriate fixings; e.g. wallplugs will also be needed.



Your AUTOGLIDE track is ready assembled for easy fixing.

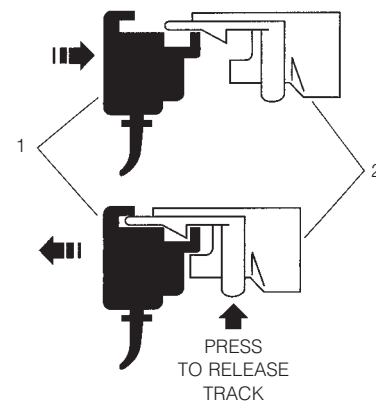
## 3 BRACKET POSITIONS

Draw a level line on the wall or batten at the height you wish to position the track.

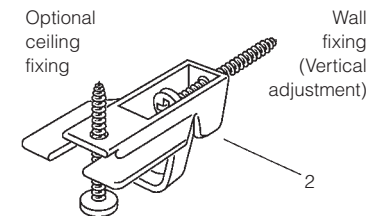


## 4 FIXING THE BRACKET

Mark the bracket positions along the line, remembering to leave a minimum 9cm (3.5") from each end of the track to the first bracket.



When fixing direct to a masonry wall, drill holes for brackets using a No.11 (6mm) masonry drill and fit wall plugs.



Screw brackets (2) to wall or batten, then use upward or downward bracket adjustment to ensure they are level.

Clip the track (1) onto brackets (2) as shown. You will hear a click as the track locks into position. To release track again if necessary, push bracket ring and remove track.

## 5 FITTING THE MOTOR

### FITTING THE MOTOR UNIT TO THE END OF TRACK

Slide back locking plate (5) until it clicks.

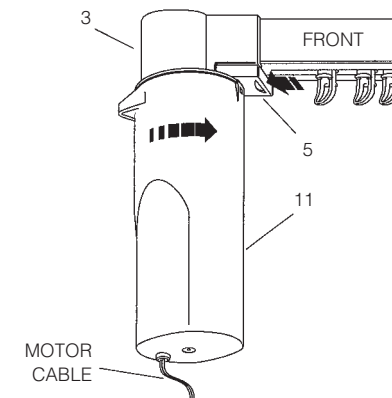
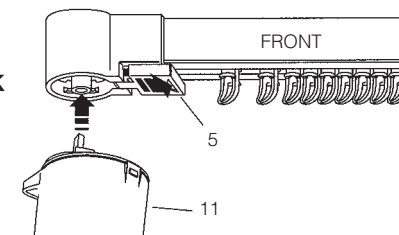
Locate motor drive shaft into pulley drive.

Fully insert motor (11) into pulley housing (3) and twist to secure, making sure the motor cable is to the outside of the track as shown.

Replace locking plate (5) to lock the motor firmly in position.

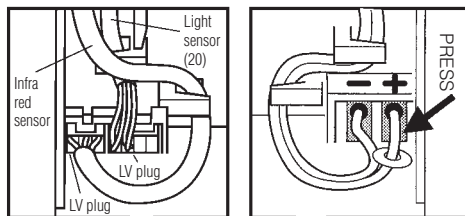
**NOTE: You may need to turn motor slightly to left or right to ensure locking plate locates completely.**

To remove motor, if necessary, reverse instructions above.



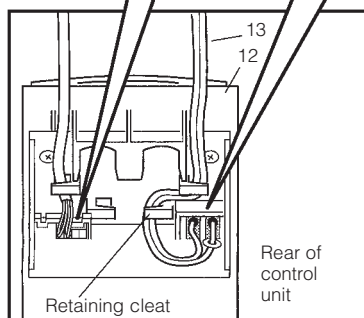
## 6 FIXING THE CONTROL UNIT

Before fixing the control unit ensure it is NOT connected to the mains power supply.



The control unit (12) is fixed to the wall by means of the fixing plate (16) and lower fixing point.

When fixing avoid any hidden cabling in wall. If in doubt consult a qualified electrician.



Drill holes (6mm masonry drill), insert wall plugs provided, screw fixing plate (16) to wall.

Hang control unit on bracket and mark lower fixing screw hole.

Remove control unit and drill hole.

Before replacing control unit you need to connect the motor cable (13) to the control unit (12). Push the wires into the terminals, + to + and the other to -, if necessary pressing the buttons with a ball-point. Secure wire to retaining cleats as shown.

To ensure a tidy finish, you can shorten these wires as required with a pair of pliers and following these instructions;

Separate the wires, pushing the ID tag up the wire for identification.

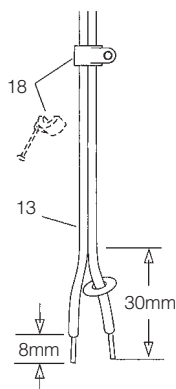
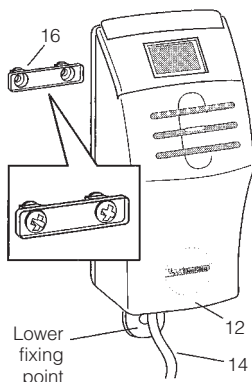
Cut wires to the required length taking care not to make them too short.

Separate the wires back by 30mm, then bare the ends back approximately 8mm.

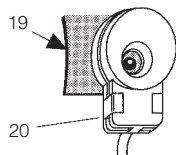
Insert bare ends back into their correct terminals as shown.

Re-hang the control unit (12) onto bracket (16) and secure with lower fixing screw to wall. Tidy wire with cable clips (18) provided.

The unit may now be plugged in.



## 7 FIXING THE LIGHT SENSOR



The light sensor (20) should be positioned behind the curtains facing out of the window to detect changing levels of daylight.

Different locations can affect opening times of curtains as follows

- Sensor faced towards rising sun - will open and close early
- Sensor faced towards setting sun - will open and close later
- Angling the sensor away from the window into the room - will open later and close early.
- Bright street/security lighting may prevent curtain closure. In extreme conditions direct light from high power security lights could cause the curtains to open. Shade the sensor or angle it away from direct artificial light.

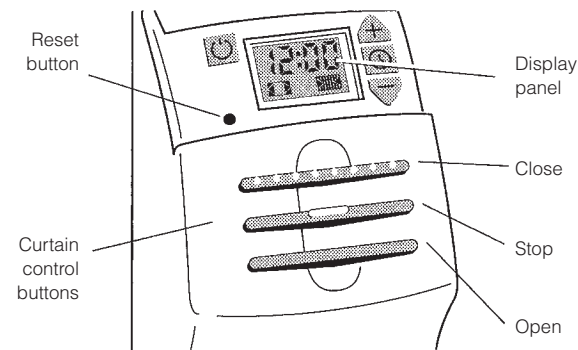
Plug the light sensor into the back of the control unit (as shown above).

Fix the light sensor (20) to the window frame or inside the window reveal with the adhesive pad (19). Tidy the cable with cable clips (18).

## ACTIVATING THE CONTROL UNIT

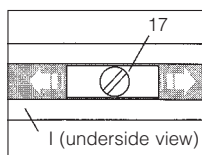
To activate the control unit, press the reset button with a ball-point. The display panel should now indicate a time of 12:00 hours.

Now try the operation using the open-stop-closed buttons.



## 8 DRESSING THE CURTAINS

Having hung your curtains on the track, (see section 1 for information), you can now try their operation.



If required, you can control how far the curtains draw back by means of the Stack Back Stop (17), a device found in the top inside channel of the track. Carefully loosen stack back stop (17) locking screw.

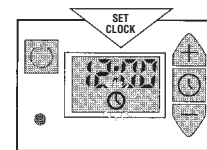
Slide the stop along the channel to the point that you want the curtains to dress to when open and fully re-tighten screw.

Re-test to the open position and re-adjust stack back stop (17)

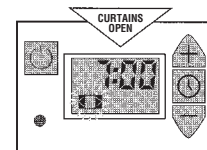
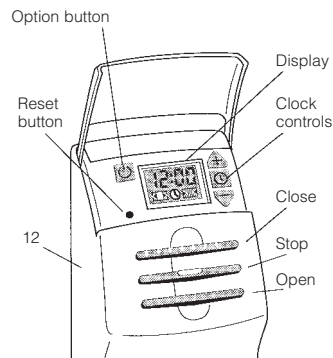
## 9 PROGRAMMING THE CONTROL UNIT

When you plug in Autoglide, it is factory set;

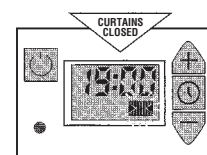
**Clock 12:00**  
**Timer Open 09:00**  
**Timer Close 19:00**



To set timer to the correct time; Press a flashing clock will appear. Set time using or . Press when finished.



A flashing open symbol and opening time will appear. You can now reset the opening time using the or controls. Press when finished.



A flashing closed symbol and closing time, now show. You can now set the closing time, again using the or controls. Press when finished.

**This completes the setting procedure.**

Your timer is now set to operate for both open and closed operations.



## 9 CONTINUED

### To alter your option

Press  and the system will scroll the following options with each press of the button.



Start point; timer operates for both open and close.



Open on timer and close on light sensor (when fitted).



Close on timer and open on light sensor (when fitted).



Timer and light sensor not operational, switch control only. Optional computer or infra red functions are still activated



Light sensor operates both open and close (timer not activated).

### LIGHT SENSOR ADJUSTMENTS



Your unit is pre-set to switch at an average light intensity for both the open and close. However you may wish to adjust the light level required to trigger the curtain operation.

Using the  option button select clock only.



Now press the following 3 buttons simultaneously , , .



The number 50 shows. The sensitivity is divided between 1 and 100. Adjustment can be made up or down using the  or  buttons.

1 = The curtains will operate with minimum of light.

100 = The operation requires brighter light to activate the curtains.

The single setting is common for both the open & close functions.

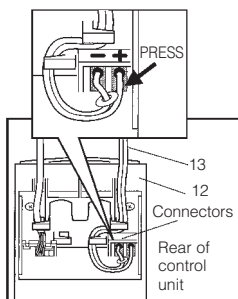
To return to normal operation press  button.

**Note: Opening and closing times will vary with changing weather conditions.**

TESTING LIGHT SENSOR OPERATION (test in good daylight)

In normal operation light sensor response is delayed, but for testing it can be set to respond immediately to changes of light.

**You can use the close-stop-open buttons at any time without affecting the automatic settings.**



**NOTE:** Depending on which way round you have chosen for your curtains to operate, you may find the open and closed controls on the main control (12) are reversed.

To remedy this problem, simply reverse the positions of the wires from the motor (13) at their connection to the control unit (12). To carry out this operation;

Make sure the control unit (12) is disconnected from the mains supply.

Push in the buttons on the connectors with a ball point or similar object. This will release the wires.

Reverse the wires and simply push back into position.

Replace the control unit (12).

## 10 ALTERING LENGTH OF MAINS CABLE

Your Autoglide control unit is fitted with approximately 3 metres of mains lead and a plug. In the event of the lead not reaching a convenient mains socket, we would advise you to have an additional socket fitted by a qualified electrician.

To shorten the mains lead, first ensure your unit is disconnected from the mains electricity supply, then cut the lead to the required length. Rewire the plug exactly as instructed below.

**IMPORTANT:** The wires in the mains lead are coloured in accordance to the following code:

Blue - NEUTRAL

Brown - LIVE

As the colours of the wires in the mains lead of this appliance may not correspond with the coloured markings which identify the terminals in your plug, proceed as follows;

The wire which is coloured blue must be connected to the terminal in the plug which is marked with the letter 'N' or coloured black.

The wire which is coloured brown must be connected to the terminal which is marked with the letter 'L' or coloured red.

**IMPORTANT:** Neither wire should be connected to the earth terminal of a three-pin plug. If the power supply cord of this appliance is damaged, refer to supplier.

**IF IN DOUBT CONSULT A QUALIFIED ELECTRICIAN**

## 11 PROBLEM SOLVER

PROBLEM	POSSIBLE CAUSE	WHAT TO DO
<b>Unit not functioning</b>	a) Unit not activated b) Not plugged in c) Fuse blown	a) Press reset button See section... 7 b) Plug in c) Check fuse, in plug, replace if necessary
<b>Control unit display is on but no curtain movement</b>	a) Wire from motor to control unit not connected b) Drive tape broken c) Motor is faulty	a) Switch off and unplug unit at mains. Reconnect motor wire to connector block at rear of control unit. b) Refer to supplier c) Refer to supplier
<b>Timer not working</b>	a) Timer not set b) Unit not activated c) Motor wires crossed	a) See section... 9 b) Press reset button See section... 7 c) Reverse wires See section... 7
<b>Controls operate in reverse</b>	a) Control unit wired in reverse	a) Reverse wires See section... 7
<b>Loss of power</b>	Powercut	Remove motor unit and hand draw curtains See section... 6



## 12 HELPFUL INFORMATION

### HANGING YOUR CURTAINS

Place your curtain hooks through the top loop of the curtain tape as shown.



**HEAT FROM THE TRANSFORMER** The Autoglide control unit (12) will feel slightly warm to the touch. This is normal operating temperature and not a cause for concern.

**POWER CONSUMPTION** Autoglide is designed for minimal power consumption and is, therefore, in-expensive to run.

**MAINTENANCE** In normal use, Autoglide will require no maintenance. There are no user-serviceable parts within the motor unit (11) or the control unit (12).

**POWER CUTS** In the event of a power cut, the control unit (12) will retain timer information for 24 hours.

After this time the unit must be re-activated and re-programmed (see 7 & 9).

To operate curtains manually during a power cut, remove motor unit (see 6) and carefully hand draw curtains.

**SAFETY PRECAUTIONS** Do not exceed the maximum total curtain weight of 15kg (33lbs).

Do not dispose of Control unit by incineration.

**SG-S** SILENTGLISS SPARES  
SILENTGLISS SYSTEMS

WWW.SG-S.CO.UK

# AUTO REMOTE (AVAILABLE AS A RETRO FIT OPTION)

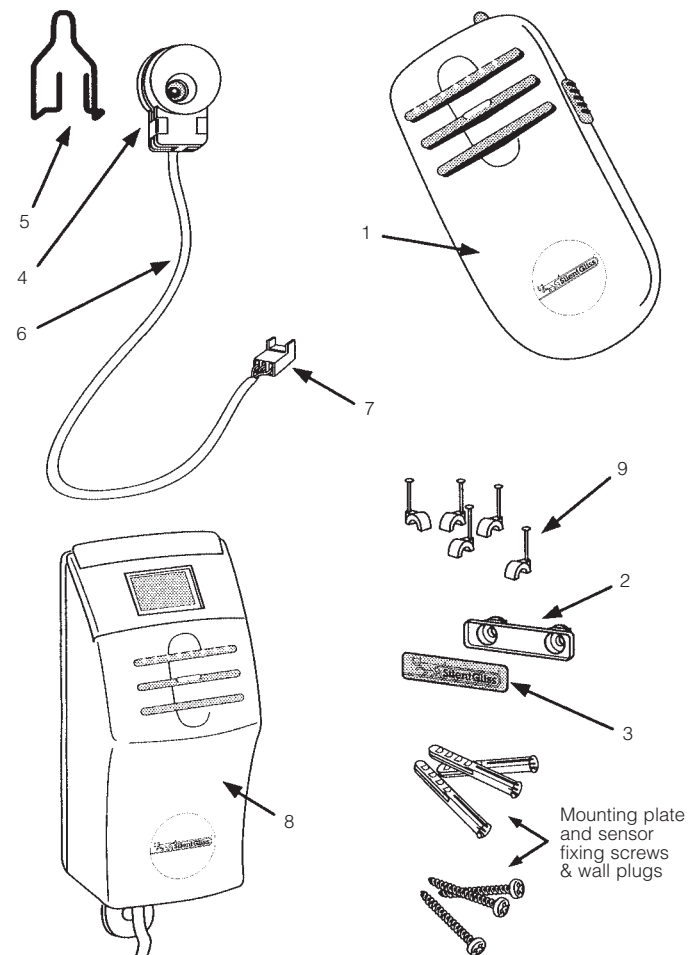
## REMOTE CONTROL & SENSOR INSTALLATION & USERS GUIDE

### IMPORTANT:

Before using your Autoglide remote control, please read these instructions carefully and keep them safe for future reference.

A few minutes spent familiarising yourself with these components will save you time when carrying out the installation.

- 1 REMOTE HANDSET
- 2 WALL BRACKET
- 3 SELF-ADHESIVE COVER
- 4 SENSOR UNIT
- 5 MOUNTING CLIP – SENSOR
- 6 CABLE – SENSOR
- 7 PLUG – SENSOR
- 8 CONTROL UNIT
- 9 CABLE CLIPS



### REMOTE CONTROL

AUTOGLIDE CAN BE CONVENIENTLY OPERATED FROM ANYWHERE IN THE ROOM USING THE REMOTE CONTROL, IDEAL FOR CURTAINS THAT MAY BE DIFFICULT TO REACH

INFRA-RED SENSOR CONNECTS TO MAIN CONTROL UNIT AND CAN BE WALL MOUNTED OR SIMPLY CLIPPED ONTO CURTAINS.

CHANNEL SELECTOR SWITCH ON HANDSET ENABLES INDEPENDENT OPERATION OF UP TO THREE AUTOGLIDE SYSTEMS FITTED WITH ADDITIONAL SENSORS (NO. 4 ABOVE) OR ANY NUMBER SIMULTANEOUSLY

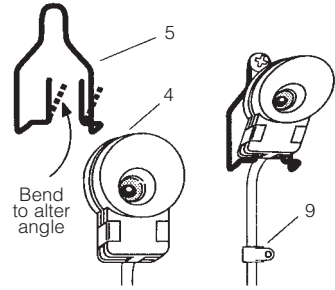
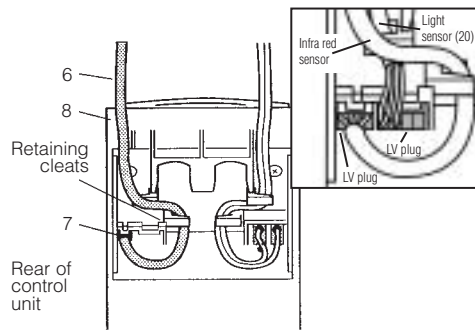
## 1a FITTING THE SENSOR

Unplug control unit from mains.

Undo lower fixing point on control unit (8) and lift unit away from wall.

Plug the sensor cable (6) into the rear of the control unit (8) and route the cable through the cleats as shown.

Re-fix control unit (8) to the wall.



Decide where you wish to locate the sensor (4). It can be fixed to the wall or clipped to a curtain by the mounting clip (5). The sensor should be in full view, not hidden behind the curtain or track.

Attach the sensor (4) to the wall or curtain and secure cable with clips (9) provided.

**NOTE: The mounting clip (5) can be removed from the sensor (4) for fixing or adjusting the angle of the sensor.**

## 2a WALL MOUNTING THE REMOTE CONTROL

You may wish to mount the remote handset (1) to a convenient wall near the door or close to a light switch. A wall mounting bracket (2) is provided for this purpose.

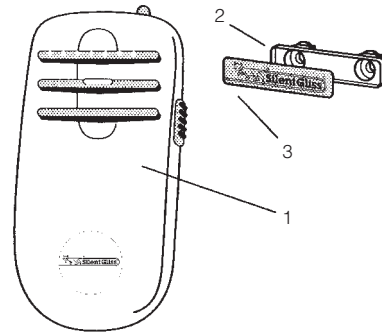
**IMPORTANT:** Do not attempt to fix mounting bracket where there is the possibility of hidden cables, e.g. directly above or below a light switch. **If in doubt, consult a qualified electrician.**

To fit mounting bracket; position, level and mark holes of mounting bracket (2). Drill two holes and insert wall plugs.

Secure mounting bracket (2) to wall with screws provided.

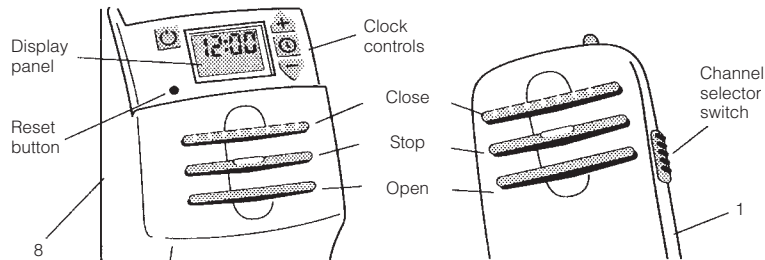
Attach self-adhesive cover (3) onto mounting bracket (2) to cover screw heads.

The handset will rest securely on this bracket but remains easily detachable for use anywhere in your room.



## 3a OPERATING THE REMOTE HANDSET

Your remote handset (1) has three controls, close-stop-open, identical to your Autoglide control unit (8).

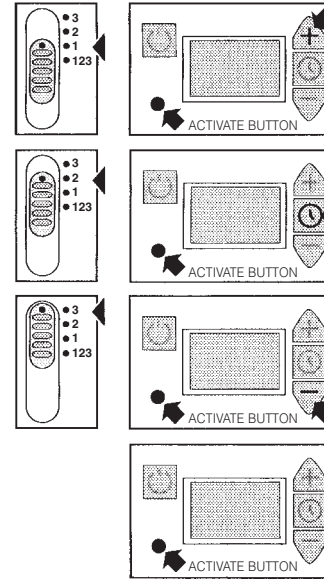
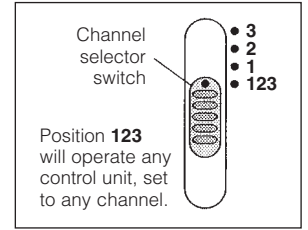


## 4a CONTROLLING MORE THAN ONE TRACK

You can use the handset to operate one or more Autoglide units by using the channel selector switch. There are four positions, **1**, **2**, **3** and **123**.

Autoglide control units are preset to receive all channels.

If you have more than one Autoglide unit in the same room and you would like to operate them independently, you will need to set each unit to a separate channel as follows:



### TO SET A UNIT TO CHANNEL 1

Press and hold down   
 Press and release reset button   
 Release

### TO SET NEXT UNIT TO CHANNEL 2

Press and hold down   
 Press and release reset button   
 Release

### TO SET NEXT UNIT TO CHANNEL 3

Press and hold down   
 Press and release reset button   
 Release

### TO SET A UNIT TO RECEIVE ALL CHANNELS

Press and release reset button

After these operations it will be necessary to re-set the timer and light sensitivity (if changed from standard) on your control system.

After setting a channel, the control unit will return to normal mode in a few moments.

You will need to reset the clock and timer after pressing the reset button.

Once each Autoglide control unit is set to the desired channel, you can operate them independently by selecting their channel with the selector switch on the side of the handset. To operate all control units together, set the selector switch to the **123** position.

## 5a REPLACING BATTERIES

Your handset is supplied complete with two long life AAA batteries already installed. To replace batteries, when necessary, unscrew the two screws on the base of the handset and open the two halves of the unit, revealing the battery compartment. Fit new batteries as indicated and replace the securing screws.

**SG-S** SILENTGLISS SPARES  
SILENTGLISS SYSTEMS

[WWW.SG-S.CO.UK](http://WWW.SG-S.CO.UK)

## PC CONTROL

If you have chosen the PC control option please consult the read first documentation supplied on the disk/CD.