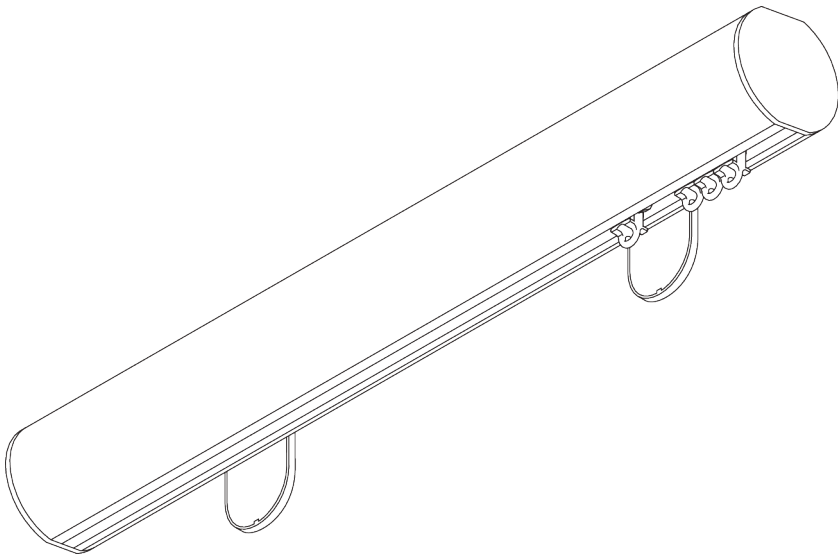
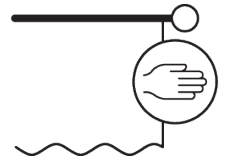


SG 6140M



PRODUCT INFORMATION

- **Operation:** hand
- **Range:** M - L
- **Fitting:** ceiling, wall
- **Colours:** white RAL 9016, various colours / finishes
- **Fabrics:** refer to Silent Gliss fabric collection

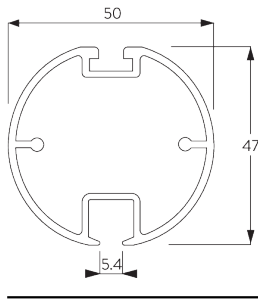
Features:

- 2-component (2C) glider technology
- Wave (2C)
- Matching endcaps and brackets / bracket covers
- Range of decorative finials
- Bendable

SYSTEM SPECIFICATIONS

A. PROFILE

Profile and bending information

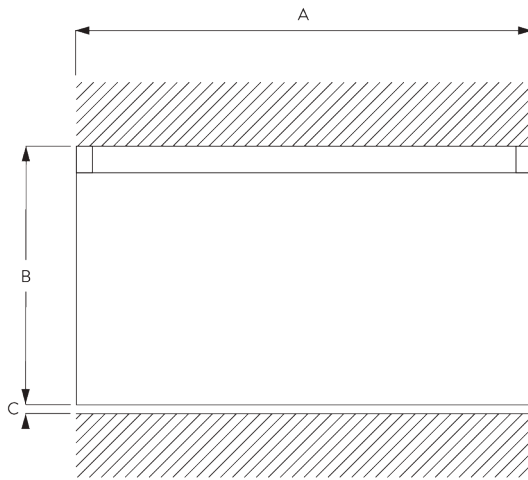


SG 20700

Profile 50 mm

Radius:
✓ >50 cm

B. HOW TO MEASURE



A: System width includes finials

B: System height

C: Distance between floor and fabric

C. SPECIFICATION TEXT

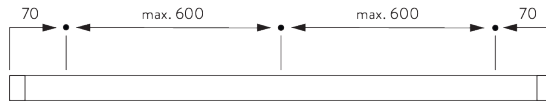
Silent Gliss SG 6140 'Metropole' hand operated curtain track system. Comprises 50mm aluminium profile SG 20700 supplied made to measure with 2C gliders SG 11300 at 14/m, 2 no. end covers SG 20350 and 2 no. end stops SG 6065. Supplied as standard with wall 'face' fix Maxi brackets SG 20334 at max. 600mm centres. Alternatively, wall fix with Smart Fix brackets SG 11206-11208 / SG 11216-11218 / SG 11209 / Blok brackets SG 20989. Ceiling 'top' fix with fixing plate SG 6151 / top bracket SG 20335 at 600mm centres. Finished in Black, White, Matt White, Ecru, Slate Grey, Antique Bronze, Silver Anodised, Anodic Grey and Taupe. A range of decorative finials are available. Silent Gliss Wave option is available using 60mm glider cord SG 11303 / 80mm glider cord SG 11302 / 80mm roller glider cord SG 6099.

FITTING

A. FITTING INFORMATION

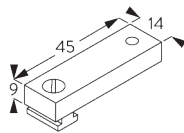
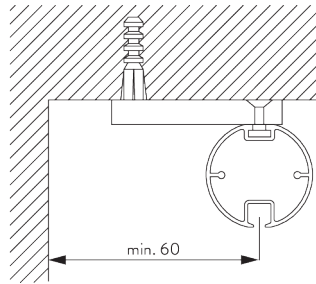
For detailed fitting information, visit the Silent Gliss website.

Fixing points



B. CEILING FITTING

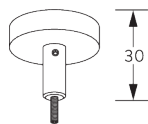
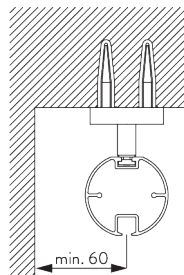
Support SG 6152



SG 6152

Ceiling support set 9 mm

Top fix bracket SG 20335

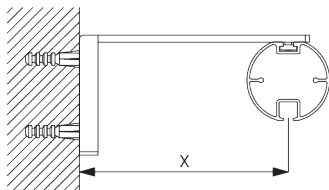


SG 20335

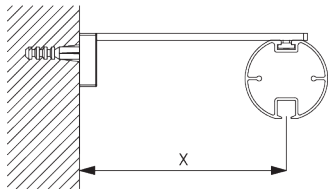
Top fix bracket

C. WALL FITTING

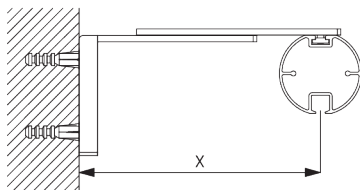
Smart Fix



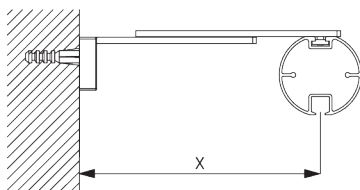
Smart Fix with slot SG 11206 - SG 11208 and SG 6141:
Screw SG 20798 (M4x10) needed.



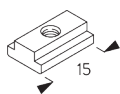
Square Smart Fix with slot SG 11216 - SG 11218 and SG 6141:
Screw SG 20798 (M4x10) needed.



Adjustable Smart Fix SG 11209 and SG 6141:
Screw SG 6784 (M4x8) needed.



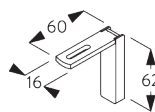
Adjustable Square Smart Fix SG 11472 and SG 6141:
Screw SG 6784 (M4x8) needed.



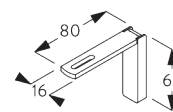
SG 6141
Clamping piece



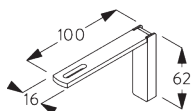
SG 6784
Hexagon socket countersunk screw M4x8 mm



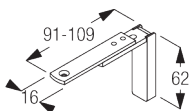
SG 11206
Smart Fix with slot 60 mm



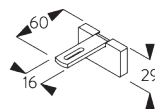
SG 11207
Smart Fix with slot 80 mm



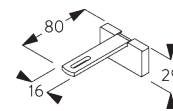
SG 11208
Smart Fix with slot 100 mm



SG 11209
Adjustable Smart Fix

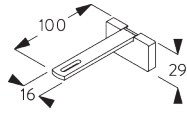


SG 11216
Square Smart Fix with slot 60 mm



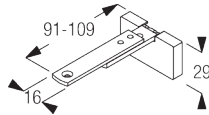
SG 11217
Square Smart Fix with slot 80 mm

Smart Fix	X mm
SG 11206 / SG 11216	51
SG 11207 / SG 11217	71
SG 11208 / SG 11218	91
SG 11209 / SG 11472	80-100



SG 11218

Square Smart Fix with slot
100 mm



SG 11472

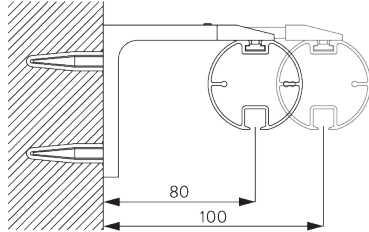
Adjustable Square Smart Fix



SG 20798

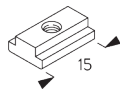
Hexagon socket countersunk
screw M4x10 mm

Maxi adjustable bracket SG 20334



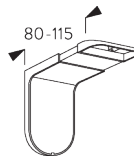
Screw SG 20798 (M4x10) needed.

Note: all 50 mm Metropole are supplied with maxi
adjustable bracket SG 20334 as standard.



SG 6141

Clamping piece



SG 20334

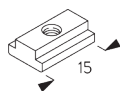
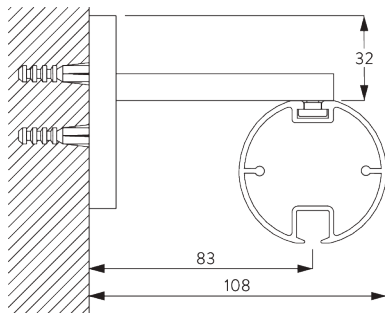
Maxi adjustable bracket



SG 20798

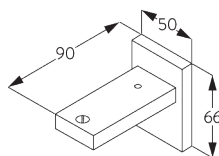
Hexagon socket countersunk
screw M4x10 mm

Blok bracket SG 20989



SG 6141

Clamping piece

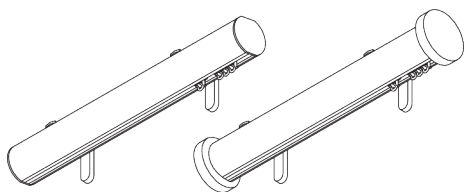


SG 20989

Blok bracket

DESIGN & SYSTEM OPTIONS

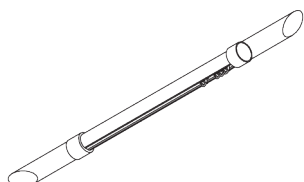
A. ENDCAPS



Without finials, poles are supplied as standard with flush fitting endcaps SG 20350 (left).

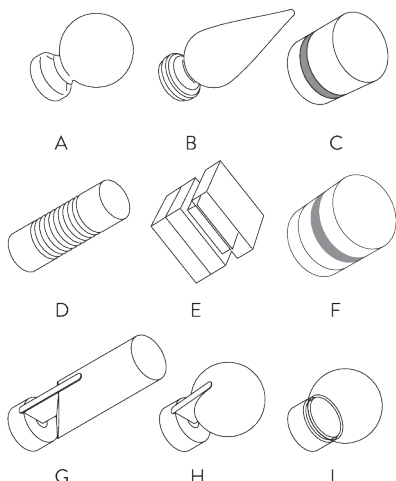
Alternatively, stud endcaps SG 20714 (right) can be selected at no additional cost.

B. FINIALS



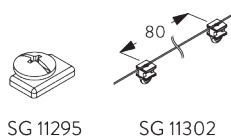
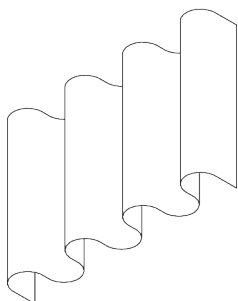
Finials are decorative elements that fit on at the end of the pole.

Please refer to the Metropole brochure for full range details.



- A: SG 20717 Ball End 125 mm
- B: SG 20718 Real Wood Spear 150 mm
- C: SG 20697 Strata 65 mm
- D: SG 20630 Groove Cylinder 125 mm
- E: SG 20898 Crystal Cube 55 mm
(green, black, brown)
- F: SG 20899 Crystal Cylinder 55 mm
(green, black, brown)
- G: SG 20315 Fused Barrel 121 mm
(walnut, oak, colour matched)
- H: SG 20327 Fused Ball 81 mm
(walnut, oak, colour matched)
- I: SG 20333 Glass Ball 70 mm
(clear, frosted)

C. WAVE

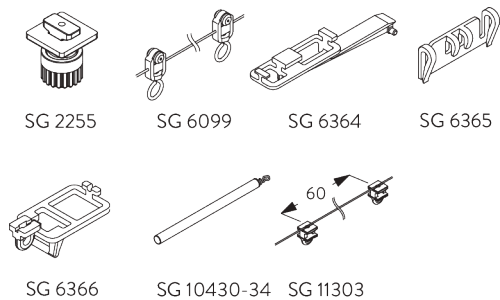


SG 11295

SG 11302

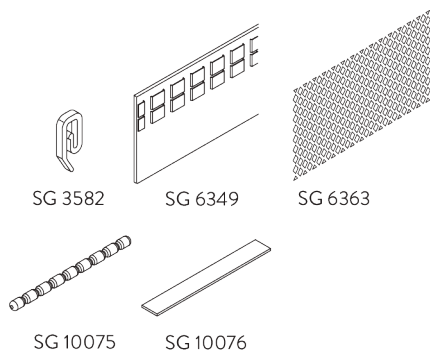
Standard components:

- SG 11295 End stop
- SG 11302 Wave 2C glider cord 80 mm



Optional components:

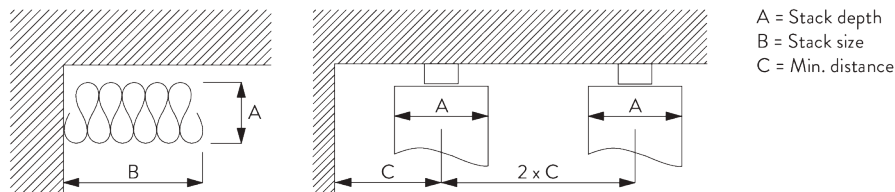
- SG 2255 Brake
- SG 6099 Wave roller cord 80 mm
- SG 6364 Wave extension
- SG 6365 Wave hanger
- SG 6366 Wave carrier for draw rod
- SG 10430-34 Draw rod
- SG 11303 Wave 2C glider cord 60 mm



Curtain components:

- SG 3582 Hook
- SG 6349 Wave curtain tape
- SG 6363 Wave top hemming tape
- SG 10075 Lead weight 50 gr/m
- SG 10076 Fabric weigh

Wave stack depth - 2C glider cord (standard components)



A = Stack depth
B = Stack size
C = Min. distance

2C Glider cord SG 11302	Pockets between hooks	Approx. curtain fullness	Stack depth A	Stack size B*	Min distance C
80	6	~2.1	140	180 per metre of track	90
80	7	~2.3	160	180 per metre of track	100

2C Glider cord SG 11303	Pockets between hooks	Approx. curtain fullness	Stack depth A	Stack size B*	Min distance C
60	4	~2.1	100	230 per metre of track	70
60	5	~2.3	120	230 per metre of track	80

*Stack size B when using optional extension arm increases by 95 mm per curtain!

GENERAL NOTES

Dimensions

- Measurements are in mm except where indicated.
- Max. kg relates to fabric incl. accessories.
- Stack size depends on curtain make-up and fabric thickness.
- Distance between gliders max. 80 mm / distance between rollers max. 100 mm.
- Recommended distance floor / fabric: 20 mm.
- In order to determine system height (B), the smallest room height must be taken into account.

Fitting


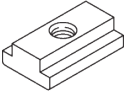


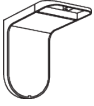

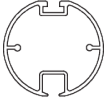
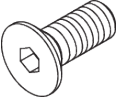
- Installation by qualified fitter only.
- Number of brackets and fitting positions / fixing points vary depending on fitting surface, system weight, fabric make-up, screw / fixing type and obstacles.
- Qualified fitter must use appropriate screws / fixings for each situation.
- Profile lip if applicable to be installed to room side.

Child Safety

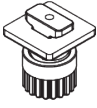
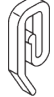
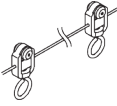
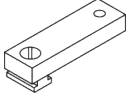

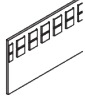

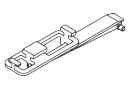
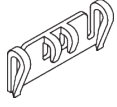
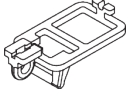
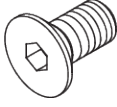

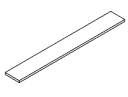
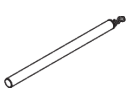
- All relevant Silent Gliss systems correspond to child safety EN 13120.
- All parties involved must comply with EN 13120.

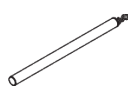
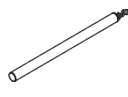
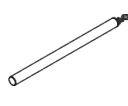
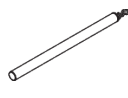
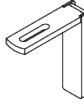
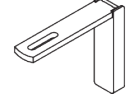
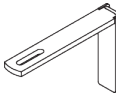
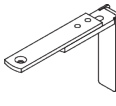
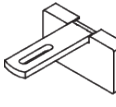
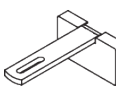
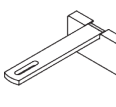
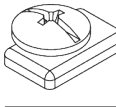

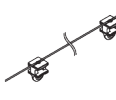
PARTS

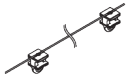
A. STANDARD PARTS

	SG 6065 End stop
	SG 6141 Clamping piece
	SG 6143 Glider on strip
	SG 11300 2C glider
	SG 20334 Maxi adjustable bracket
	SG 20350 Flus endcap 50 mm
	SG 20700 Profile 50 mm
	SG 20798 Hexagon socket countersunk screw M4x10 mm

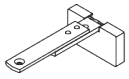
B. OPTIONAL PARTS

	SG 2255 Brake
	SG 3582 Hook
	SG 6099 Wave roller cord 80 mm
	SG 6152 Ceiling support set 9 mm
	SG 6283 Roller
	SG 6349 Wave curtain tape
	SG 6363 Wave top hemming tape
	SG 6364 Wave extension
	SG 6365 Wave hanger
	SG 6366 Wave carrier for draw rod
	SG 6784 Hexagon socket countersunk screw M4x8 mm
	SG 10075 Lead weight 50 g/m
	SG 10076 Fabric weight
	SG 10430 Draw rod 50 cm

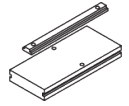
	SG 10431 Draw rod 75 cm
	SG 10432 Draw rod 100 cm
	SG 10433 Draw rod 125 cm
	SG 10434 Draw rod 150 cm
	SG 11206 Smart Fix with slot 60 mm
	SG 11207 Smart Fix with slot 80 mm
	SG 11208 Smart Fix with slot 100 mm
	SG 11209 Adjustable Smart Fix
	SG 11216 Square Smart Fix with slot 60 mm
	SG 11217 Square Smart Fix with slot 80 mm
	SG 11218 Square Smart Fix with slot 100 mm
	SG 11295 End stop
	SG 11301 2C glider on strip
	SG 11302 Wave 2C glider cord 80 mm

**SG 11303**

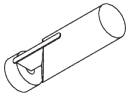
Wave 2C glider cord 60 mm

**SG 11472**

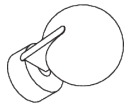
Adjustable Square Smart Fix

**SG 20273**

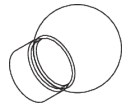
Connection bridge set

**SG 20315**

Fused barrel 121 mm

**SG 20327**

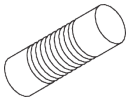
Fused ball 81 mm

**SG 20333**

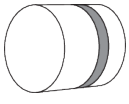
Glass ball 70 mm

**SG 20335**

Top fix bracket

**SG 20630**

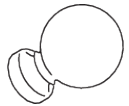
Groove cylinder 135 mm

**SG 20697**

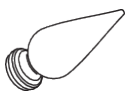
Strata 65 mm

**SG 20714**

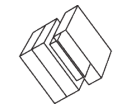
Stud endcap 50 mm

**SG 20717**

Ball end 125 mm

**SG 20718**

Real wood spear 150 mm

**SG 20898**

Crystal cube 85 mm

**SG 20899**

Crystal cylinder 55 mm