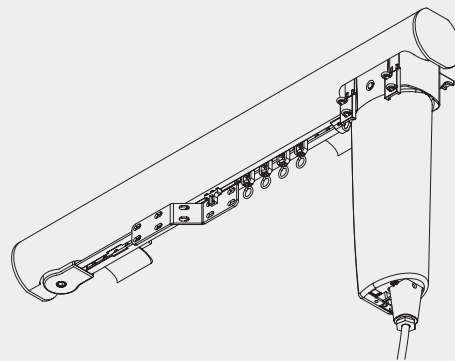


Motorised Curtain Pole System

Silent Gliss® 6150M Metropole 50mm



Product Information

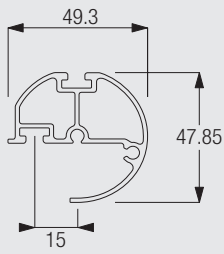
- Electrically operated system for domestic and contract applications
- Choice of 6 different finishes - black, white, steel grey, antique bronze, taupe and silver
- Accessorised with matching end caps or finials
- Easy fitting to wall and ceiling
- Maximum curtain weight dependant on motorised system selection
- Suitable for use with Wave Standard curtain heading system
- Max pole length 5m/10m dependant on motorised system selection
- Available with 2 motor options with various operating methods



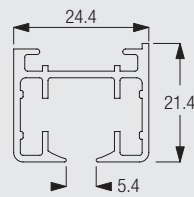
6150M

Profile Information

Individual Profile Measurements



0871



2191

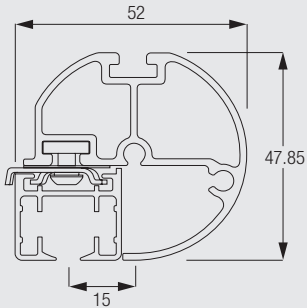


Profiles cannot be bent.

Specification Guide - download from www.silentgliss.co.uk (password required)

Silent Gliss 6150M curtain track, electrically operated, aluminium, assembled complete with gliders 6098/6143 and 2 endcovers 0350. Face fix with bracket 0537/ 3134/2-36/2/ 0334/ top fix with bracket 6138P2/ 0335 each screwed to timber/plugged and screwed to block-work/concrete at 1000mm centres. Finished in white, black, steel grey, antique bronze, taupe and silver. Refer to table for motor colour see Motor Options in this catalogue.

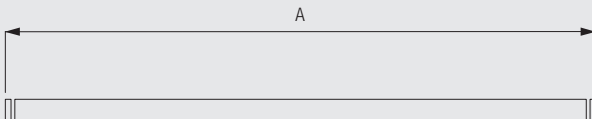
How To Measure



Combined profile measurements 0871 and 2191

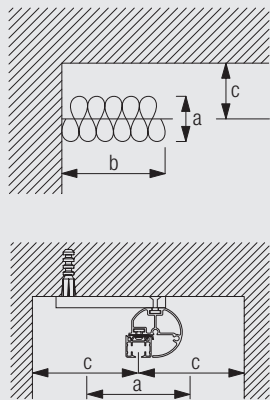


6150M



A: System Width - including finials (for finial width see Design Options in this catalogue)

Stack Size Calculation Wave Standard



a = Stack depth
b = Stack size
c = Min. distance

Wave standard

Glider-cord spacing	Curtain hook spacing	Approx. curtain fullness	Stack depth (a)	Stack width (b)	Min distance (c)
6	10	2.1	10	23 per metre of track + endpiece	8
6	12	2.3	12	23 per metre of track + endpiece	9
8	14	2.1	14	18 per metre of track + endpiece	10
8	16	2.3	16	18 per metre of track + endpiece	11

Wave standard with roller gliders

Glider-cord spacing	Curtain hook spacing	Approx. curtain fullness	Stack depth (a)	Stack width (b)	Min distance (c)
8	14	2.1	14	21 per metre of track + endpiece	10
8	16	2.3	16	21 per metre of track + endpiece	11

(dimensions in cm)

Note: Minimum distance (c) includes a standard 3cm clearance (front and back).

All weight calculations are based on underslung curtains. Headings above the glider channel are not recommended.

System Dimensions

Maximum Curtain Weight Chart

Standard Application with Gliders

5090	5 m
	15
	15
(kg max.)	

Standard Application with Rollers/Optional Wave Roller Gliders

5200	2 m	4 m	6 m	8 m	10 m
	36	32	26	21	16
	36	32	26	21	16
5400					
	44	42	40	38	36
	44	42	40	38	36
(kg max.)					

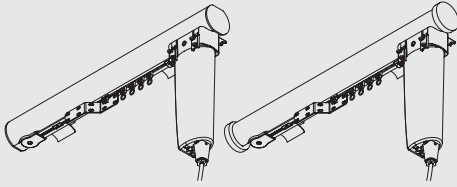
Note: Maximum recommended curtain weight for Wave curtain heading system is 2.5kg per metre unless using optional wave roller gliders



6150M

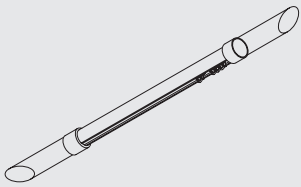
Design Options

Endcaps

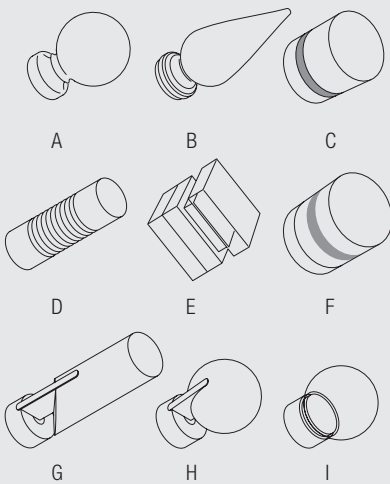


Without finials, poles are supplied as standard with flush fitting endcaps 0350 (left). Alternatively, stud endcaps 0714 (right) can be selected at no additional cost.

Finials



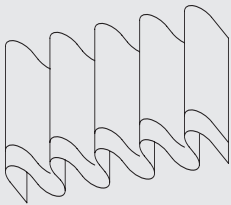
Finials are decorative elements that fit on at the end of the pole.



- A: 0717 Ball End 125mm
- B: 0718 Real Wood Spear 150mm
- C: 0697 Strata 65mm
- D: 0630 Groove Cylinder 125mm
- E: 0898 Crystal Cube 55mm
- F: 0899 Crystal Cylinder 55mm
- G: 0315 Fused Barrel 121mm (walnut/oak/matched)
- H: 0327 Fused Ball 84mm (walnut/oak/matched)
- I: 0333 Glass Ball (clear/frosted) 69mm

6150M

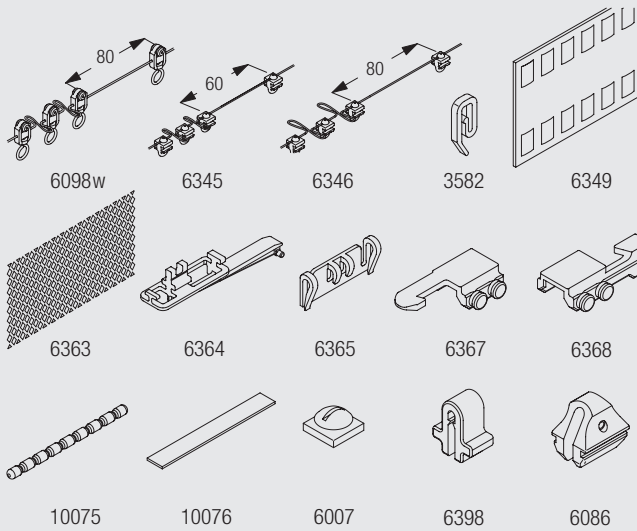
Wave Standard curtain heading system



Wave is an exciting contemporary curtain heading system which allows curtains to hang in a continuous wave which is smooth, simple and elegant.

When using the Wave curtain heading system please note the maximum recommended curtain weight is 2.5kg/m. A greater weight may be achieved using wave roller glider 6098W (refer to System Dimensions).

The parts supplied for this system with Wave are:



- 6007 End stop
- 6345 Glider Cord 60mm
- 6346 Glider Cord 80mm
- 6364 Extension (for use with 6365)
- 6365 Hanger (for use with 6364)
- 6367 Master carrier
- 6368 Carrier

Enhanced Wave is **ONLY** available with 80mm glider cord

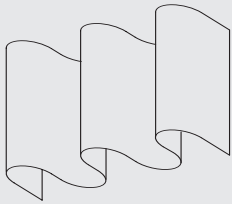
All of the above components are supplied with system options 5200 and 5400 at no additional charge

6098W Roller glider cord 80mm (additional cost)

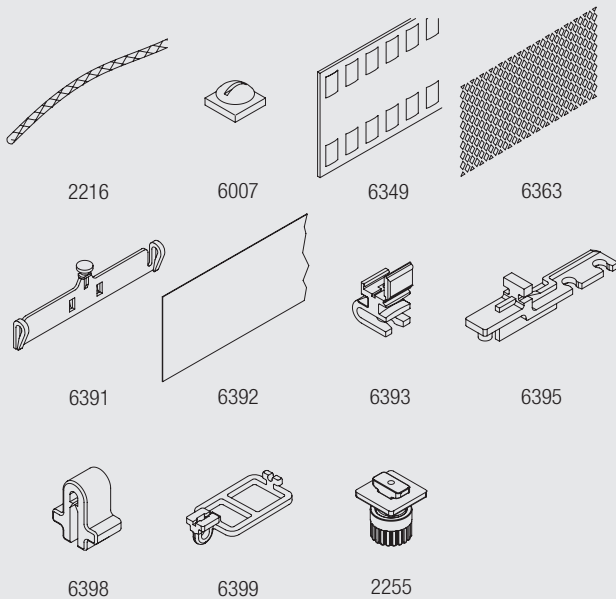
Further optional components are available at additional cost:

- 3582 Hook
- 6349 Curtain tape
- 6363 Iron-on top hemming tape
- 10075 Lead weight for bottom hem
- 10076 Fabric weight for side of curtain

Wave XL curtain heading system



Wave XL is especially designed for high and large application areas through generously designed waves with large cross section dimensions.



The Wave XL components are:

- 2216 Cord 0.85 mm
- 2255 Adjustable brake
- 6007 End stop
- 6349 Curtain tape
- 6363 Iron tape
- 6391 Hanger
- 6392 Heading film
- 6393 Glider
- 6395 Extension
- 6399 Carrier for draw rod

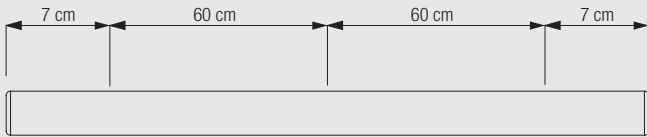
Additional optional Wave components:

- 6398 Clip

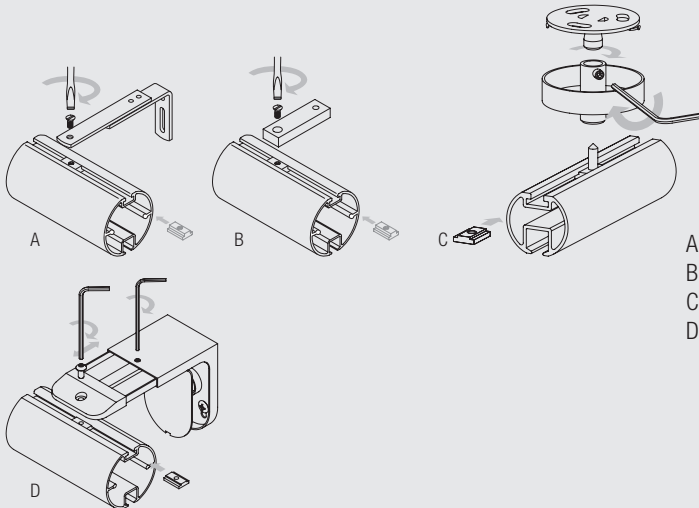


Fitting Information

Bracket Positioning



Fitting of track to bracket

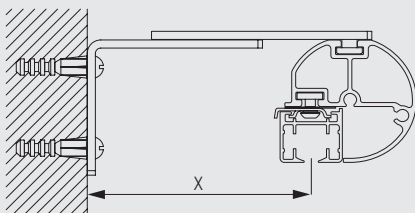


- A: Using adjustable bracket 0537
- B: Using ceiling fix bracket 6138p
- C: Using top fix bracket 0335
- D: Using maxi adjustable bracket 0334

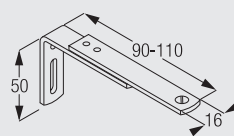
Fitting Options

Wall fix with adjustable brackets 0537

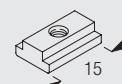
6150M



X(mm)
80-100

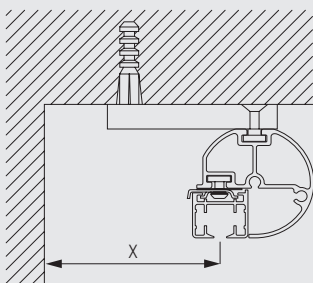


0537
Adjustable bracket

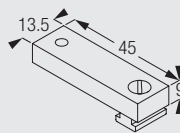


6141
Track insert (uses
screw 0798)

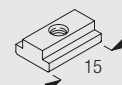
Ceiling fix with bracket 6138p2



X (mm)
6138P2 80



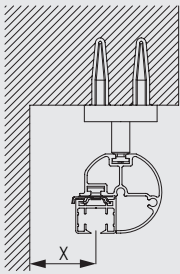
6138P2 (9mm)
Ceiling support set



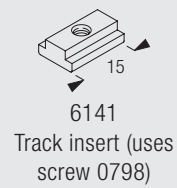
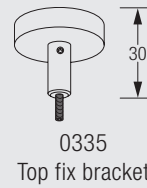
6141
Track insert (uses
screw 0798)

The distance 'x' will depend on the curtain style and any other obstacles. For Wave XL 'x' should be a minimum of 22cm in order for the fabric not to touch the wall.

Ceiling fix using top fix bracket 0335

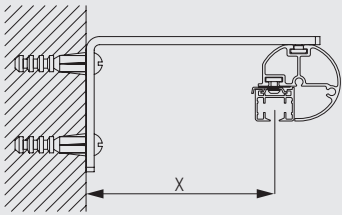


	X (mm)
0335	50

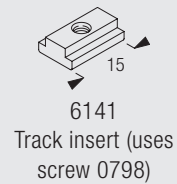
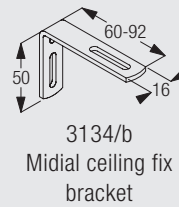


The distance 'x' will depend on the curtain style and any other obstacles. For Wave XL 'x' should be a minimum of 22cm in order for the fabric not to touch the wall.

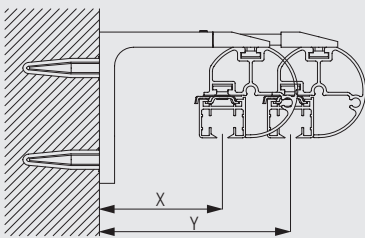
Wall fix with 3134/2 - 3136/2



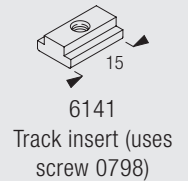
	mm
3134/2	52
3135/2	72
3136/2	92



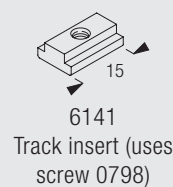
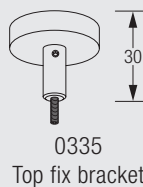
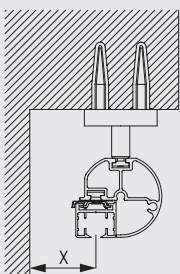
Wall fix with maxi adjustable bracket 0334



	X (mm)	Y (mm)
0334	80	100



Ceiling fix with top fix bracket 0335



6150M

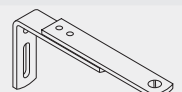
Standard Accessories

Parts

0350 Flush endcap (50mm)



0537 Adjustable bracket





0871 Profile

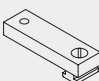
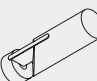




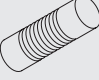

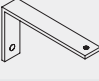









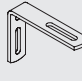



2191 Profile



3825	Clamp (35mm)		6086	Spring stop	
------	--------------	---	------	-------------	---

Optional Accessories

Parts					
6138P2 (9mm)	Ceiling support set		0315	Fused barrel (50mm)	
0327	Fused ball (50mm)		0333	Glass ball (50mm)	
0334	Maxi adjustable bracket		0335	Top fix bracket	
0630	Groove Cylinder (50mm)		0697	Strata (50mm)	
0713	Midial connecting bracket		0714	Stud End cap (50mm)	
0717	Ball end finial (50mm pole)		0718	Spear finial (50mm pole)	
0898	Crystal Square (50mm)		0899	Crystal Cylinder (50mm)	
6007	Endstop		6098	Roller glider with eye	
6150M	6143	Glider 6144 in strip form	6283	Roller glider	
3134/2	Pole extension bracket (60mm - all colours)		3135/2	Pole extension bracket (80mm - all colours)	
3136/2	Pole extension bracket (100mm - all colours)				

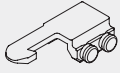
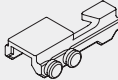
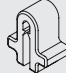
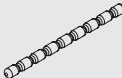

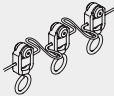
Wave Accessories

3582	Hook		6007	Endstop	
6345	Wave glider cord (60mm)		6346	Wave glider cord (80mm)	
6349	Wave curtain heading tape		6363	Top hemming tape	
6364	Extension		6365	Hanger	

Supplied by

SG-S SILENTGLISS SPARES
SILENTGLISS SYSTEMS

www.sg-s.co.uk email: sales@sg-s.co.uk tel: 01395 232528

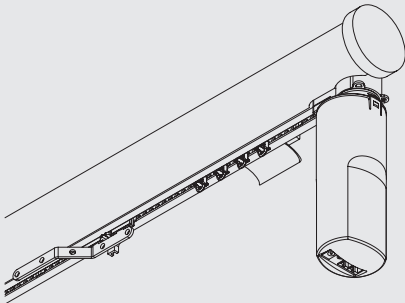
6367	Master carrier		6368	Carrier	
6398	Clip		10075	Lead weight 50 gr/m	
10076	Fabric weight		6098W	Wave roller glider cord (80mm)	

Motor Options

Motor Colour Chart

Electric Track System	6150M Profile Colour	Motor Colour
5090	All colours	White
5200, 5400	Silver	White
	Taube	
	White	
	Black	Black
	Steel Grey	
Antique Bronze		

Option 1: 5090

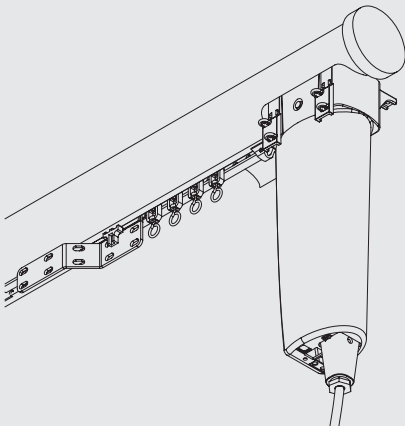


- Motorised curtain track system for domestic use only
- Maximum system width is 5m
- System comprises 24V motor set including power unit and switch
- Choice of basic model with wall switch (5090), with Remote Control (5090IR), with Timer Light set (5090TL) or with all options (5090TC) - See system 5090 catalogue pages within the Electric Curtain Track Systems catalogue for full specifications
- System can be equipped with the unique manual override feature
- Automatic end-of-travel stop
- No pre-wiring necessary
- Curtain travel speed 15cm/sec
- Available with Wave Standard curtain heading systems
- Excellent security device when homes are unoccupied



6150M

Option 2: 5400



- Motorised curtain track system for contract and residential use
- Maximum curtain width 10m
- The system 5400 is equipped with motor 9020/9021 (90-260VAC)
- Option of integrated radio receiver compatible with Silent Gliss radio remote control system 9940/0450
- Various other operating methods available. See motors/controls overview chart and the specific motor variations section
- System can be equipped with the unique manual override feature
- 0900 timer option available
- Exceptionally quiet motor (<45dba (30cm))
- Curtain travel speed 16cm/sec
- Supplied assembled
- Available with Wave Standard curtain heading system

For further information on the above electric track systems please refer to the Electric Curtain Track Systems catalogue (www.silentgliss.co.uk).



www.silentgliss.co.uk

www.silentglissglobal.com

Silent Gliss Ltd
Pyramid Business Park
Poorhole Lane
Broadstairs
Kent
CT10 2PT
Great Britain

Tel: +44 (0) 1843 863571
Fax: +44 (0) 1843 864503
info@silentgliss.co.uk

Silent Gliss Global Ltd
Pyramid Business Park
Poorhole Lane
Broadstairs
Kent
CT10 2PT
Great Britain

Tel: +44 (0) 1843 874250
Fax: +44 (0) 1843 874457
info@silentglissglobal.com