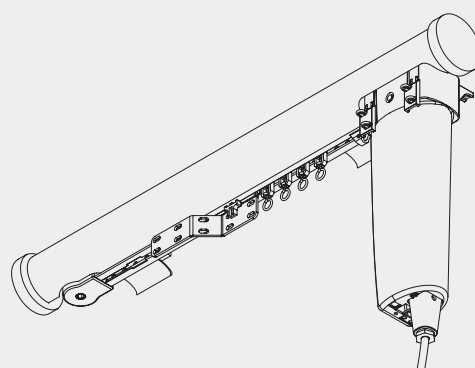


## Motorised Curtain Pole System

# Silent Gliss® 6150M Metropole 50mm



### Product Information

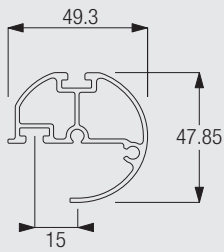
- Electrically operated system for domestic and contract applications
- Choice of 6 different finishes - black, white, steel grey, antique bronze, taupe and silver
- Accessorised with matching end caps or finials
- Easy fitting to wall and ceiling fix
- Maximum curtain weight dependant on motorised system selection
- Suitable for use with Wave Standard curtain heading system
- Max pole length 5m/10m dependant on motorised system selection
- Available with 3 motor options with various operating methods



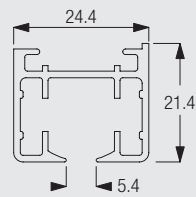
6150M

## Profile Information

### Individual Profile Measurements



0871



2191

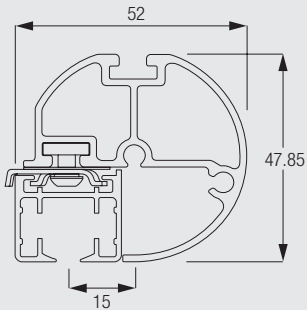


Profiles cannot be bent.

### Specification Guide - download from [www.silentgliss.co.uk](http://www.silentgliss.co.uk) (password required)

Silent Gliss 6150M curtain track, electrically operated, aluminium, assembled complete with gliders 6098/6143 and 2 endcovers 0714. Face fix with bracket 0731 each screwed to timber/plugged and screwed to block-work/concrete at 1000mm centres. Finished in white, black, steel grey, antique bronze, taupe and silver. Refer to table for motor colour see Motor Options in this catalogue.

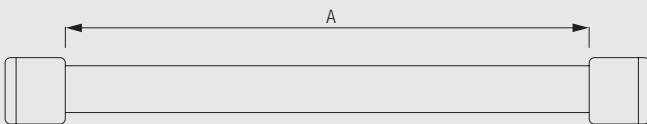
## How To Measure



Combined profile measurements 0871 and 2191

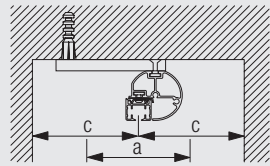
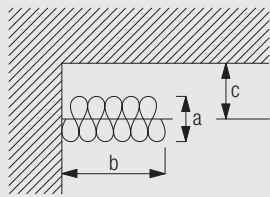


6150M



A: System width excluding finials (for finial width see Design Options in this catalogue)

## Stack Size Calculation Wave Standard



a = Stack depth  
b = Stack size  
c = Min. distance

### Wave standard

Glider-cord spacing	Curtain hook spacing	Approx. curtain fullness	Stack depth (a)	Stack width (b)	Min distance (c)
6	10	1.9	10	23 per metre of track + endpiece	8
6	12	2.2	12	23 per metre of track + endpiece	9
8	14	2.0	14	18 per metre of track + endpiece	10
8	16	2.2	16	18 per metre of track + endpiece	11

### Wave standard with roller gliders

Glider-cord spacing	Curtain hook spacing	Approx. curtain fullness	Stack depth (a)	Stack width (b)	Min distance (c)
8	14	2.0	14	21 per metre of track + endpiece	10
8	16	2.2	16	21 per metre of track + endpiece	11

(dimensions in cm)

Note: Minimum distance (c) includes a standard 3cm clearance (front and back).

All weight calculations are based on underslung curtains. Headings above the glider channel are not recommended.

## System Dimensions

### Maximum Curtain Weight Chart

#### Standard Application with Gliders

5090	5 m
	15
	15
(kg max.)	

#### Standard Application with Rollers/Optional Wave Roller Gliders

5200	2 m	4 m	6 m	8 m	10 m
	36	32	26	21	16
	36	32	26	21	16
5400					
	44	42	40	38	36
	44	42	40	38	36
(kg max.)					

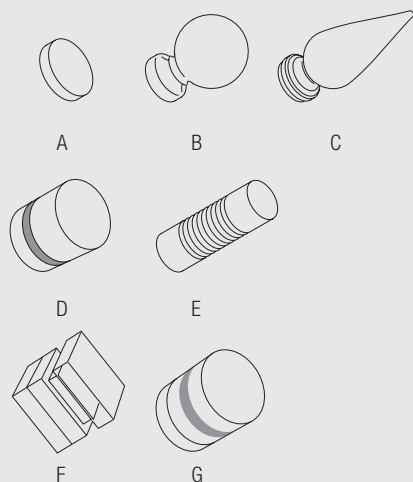


6150M

Note: Maximum recommended curtain weight for Wave curtain heading system is 2.5kg per metre unless using optional wave roller gliders

## Design Options

### Finials

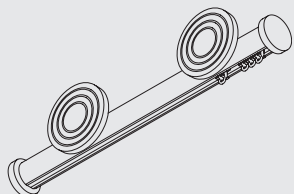


Finials are decorative elements that fit on the end of the pole.

- A: 0714 Matching Endcaps 21mm
- B: 0717 Ball End 132mm
- C: 0718 Spear 152mm
- D: 0697 Strata 64mm
- E: 0630 Groove Cylinder 125mm
- F: 0898 Crystal Cube 55mm
- G: 0899 Crystal Cylinder 55mm

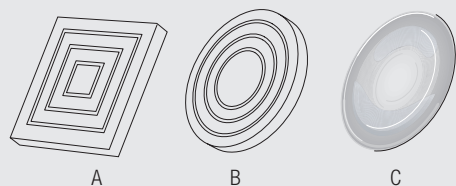
Note: Above measurements are per finial.

### Midials



Midials are a curtain pole decoration projecting in front of the pole.

Please refer to the Metropole brochure for more detail and colour descriptions.

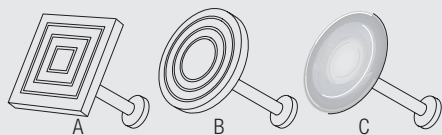


- A: 0M400 Discus Glass (100mm - red, white purple, lilac)
- B: 0M800 Vega Square 80mm
- C: 0M900 Vega Circle 80mm



6150M

### Holdbacks

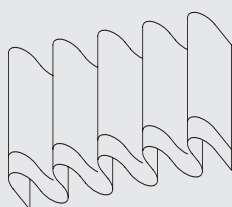


Midial designs can be used on matching holdback arms.

Please refer to the specific Metropole brochure for more detailed information and colour descriptions.

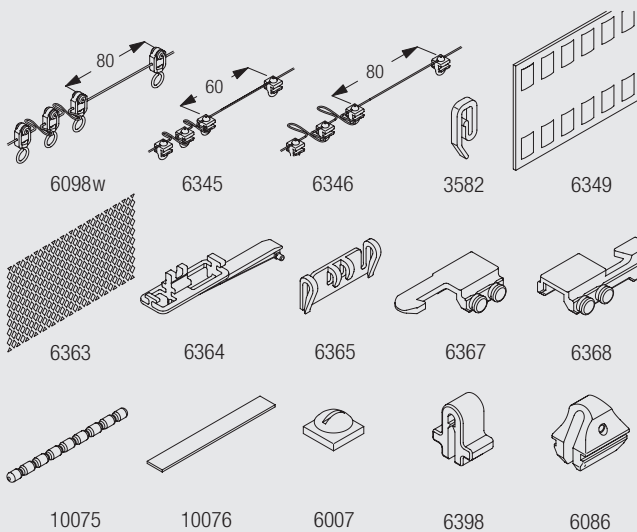
- A: 0HB40 Discus Glass (Red, white, amber, purple, lilac) 100mm
- B: 0HB80 Vega Square 80mm
- C: 0HB90 Vega Circle 80mm

### Wave Standard curtain heading system



Wave is an exciting contemporary curtain heading system which allows curtains to hang in a continuous wave which is smooth, simple and elegant.

When using the Wave curtain heading system please note the maximum recommended curtain weight is 2.5kg/m. A greater weight may be achieved using wave roller glider 6098W (refer to System Dimensions).



The Wave standard components are:

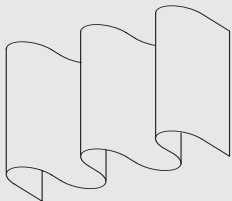
- 3582 Hook
- 6007 End stop
- 6345 Glider cord 60 mm
- 6346 Glider cord 80 mm
- 6349 Curtain tape
- 6363 Iron tape

Additional optional Wave components are:

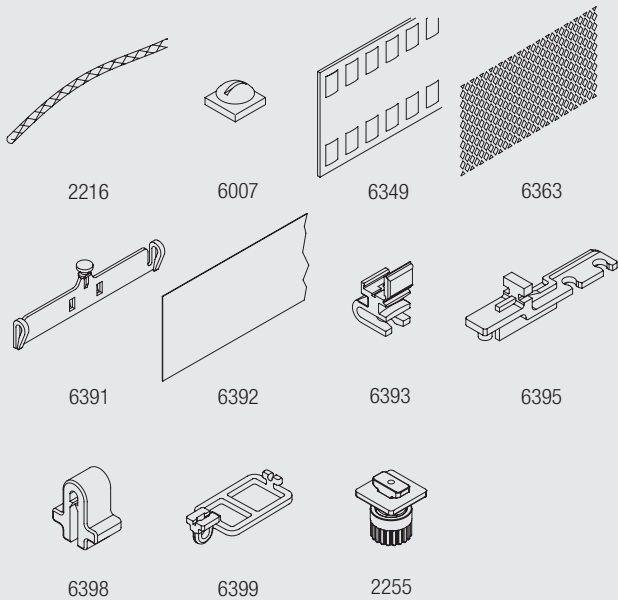
- 6364 Extension (for use with 6365)
- 6365 Hanger (for use with 6364)
- 6367 Master carrier
- 6368 Carrier
- 6398 Clip
- 10075 Lead weight for bottom hem
- 10076 Fabric weight for side of curtain
- 6098W roller glider cord 80mm

All of the above components (standard and additional) are supplied with options 5200 and 5400 at no additional charge with the exception of the 6098W roller glider cord 80mm

### Wave XL curtain heading system



Wave XL is especially designed for high and large application areas through generously designed waves with large cross section dimensions.



The Wave XL components are:

- 2216 Cord 0.85 mm
- 2255 Adjustable brake
- 6007 End stop
- 6349 Curtain tape
- 6363 Iron tape
- 6391 Hanger
- 6392 Heading film
- 6393 Glider
- 6395 Extension
- 6399 Carrier for draw rod

Additional optional Wave components:

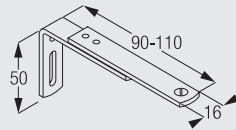
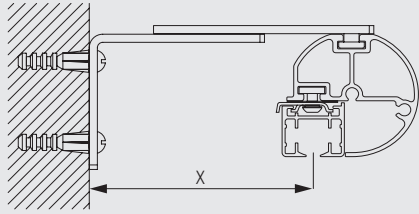
- 6398 Clip



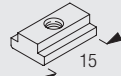
6150M

## Fitting Options

### Wall fix with adjustable brackets 0537

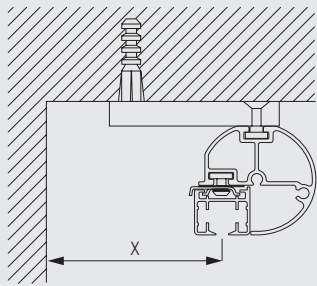


0537  
Adjustable bracket

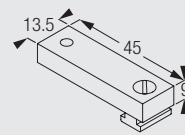


6141  
Track insert (uses  
screw 0798)

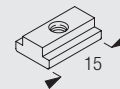
### Ceiling fix with bracket 6138p2



X (mm)  
80-100



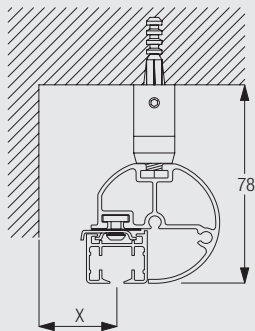
6138P2 (9mm)  
Ceiling support set



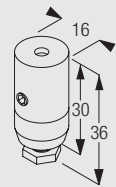
6141  
Track insert (uses  
screw 0798)

Ceiling fix with 6138p2 (standard end cap only)

### Ceiling fix with finials using ceiling support 6175

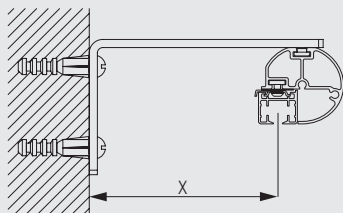


6150M

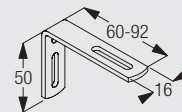


6175  
Ceiling support

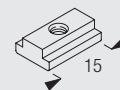
### Wall fix with 3134/2 - 3136/2



	mm
3134/2	52
3135/2	72
3136/2	92



3134/b  
Midial ceiling fix  
bracket

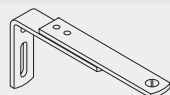


6141  
Track insert (uses  
screw 0798)

## Standard Accessories



### Parts

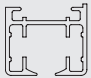

0537 Adjustable bracket



0714 End cap 50mm



0871	Profile	
3825	Clamp (35mm)	

2191	Profile	
6086	Spring stop	

## Optional Accessories

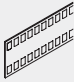
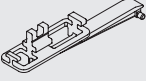
### Parts



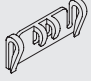
6138P2 (9mm)	Ceiling support set	
0697	Strata (50mm)	
0717	Ball end finial (50mm pole)	
0898	Crystal Square (50mm)	
3582	Hook	
6098	Roller glider with eye	
6175	Ceiling support	
0M400	Glass discus midial	
0M900	Vega circle midial	
3134/b	Midial ceiling fix bracket	

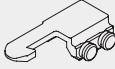
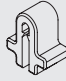
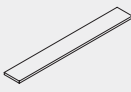
0630	Groove Cylinder (50mm)	
0713	Midial connecting bracket	
0718	Spear finial (50mm pole)	
0899	Crystal Cylinder (50mm)	
6007	Endstop	
6143	Glider 6144 in strip form	
6283	Roller glider	
0M800	Vega square midial	
3134/2	Pole extension bracket (60mm - all colours)	
3135/2	Pole extension bracket (80mm - all colours)	

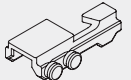
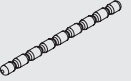

  
6150M

## Wave Accessories

3582	Hook	
6345	Wave glider cord (60mm)	
6349	Wave curtain heading tape	
6364	Extension	

6007	Endstop	
6346	Wave glider cord (80mm)	
6363	Top hemming tape	
6365	Hanger	

6367	Master carrier	
6398	Clip	
10076	Fabric weight	

6368	Carrier	
10075	Lead weight 50 gr/m	
6098W	Wave roller glider cord (80mm)	

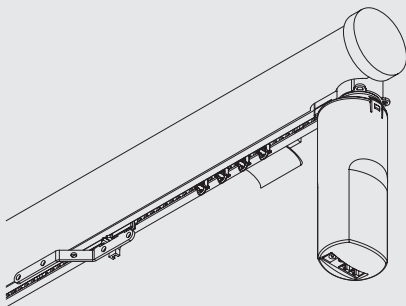
## Motor Options

### Motor Colour Chart

Electric Track System	6150M Profile Colour	Motor Colour
5090	All colours	White
5200, 5400	Silver	White
	Taube	
	White	
	Black	Black
	Steel Grey	
Antique Bronze		

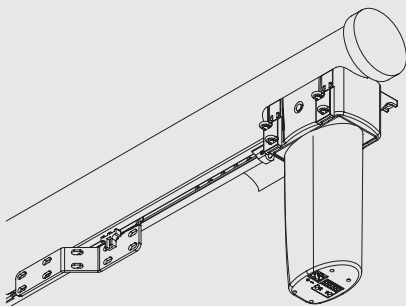
### Option 1: 5090

6150M



- Motorised curtain track system for domestic use only
- Maximum system width is 5m
- System comprises 24V motor set including power unit and switch
- Choice of basic model with wall switch (5090), with Remote Control (5090IR), with Timer Light set (5090TL) or with all options (5090TC) - See system 5090 catalogue pages within the Electric Curtain Track Systems catalogue for full specifications
- System can be equipped with the unique manual override feature
- Automatic end-of-travel stop
- No pre-wiring necessary
- Curtain travel speed 15cm/sec
- Available with Wave Standard curtain heading systems
- Excellent security device when homes are unoccupied

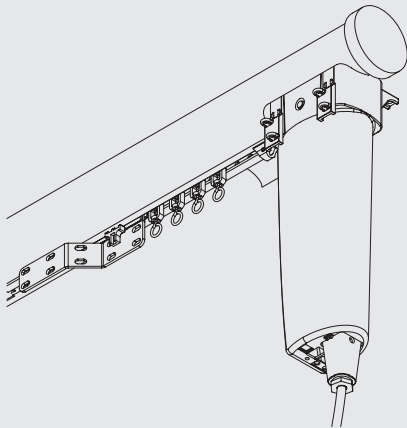
### Option 2: 5200



- Motorised curtain track system for contract and residential use
- Maximum system width 10m
- The system 5200 is equipped with a 24V DC motor 9040 or 9041
- System 5200 can be combined with Radio Remote Control System 9940/0450
- Various other operating methods available. See motors/controls overview chart
- System can be equipped with the unique manual override feature
- 0900 timer option available
- Curtain travel speed 15cm/sec
- Supplied assembled
- Available with Wave Standard curtain heading systems



### Option 3: 5400



- Motorised curtain track system for contract and residential use
- Maximum curtain width 10m
- The system 5400 is equipped with motor 9020/9021 (90-260VAC)
- Option of integrated radio receiver compatible with Silent Gliss radio remote control system 9940/0450
- Various other operating methods available. See motors/controls overview chart and the specific motor variations section
- System can be equipped with the unique manual override feature
- 0900 timer option available
- Exceptionally quiet motor (<45dba (30cm))
- Curtain travel speed 16cm/sec
- Supplied assembled
- Available with Wave Standard curtain heading system

For further information on the above electric track systems please refer to the Electric Curtain Track Systems catalogue ([www.silentgliss.co.uk](http://www.silentgliss.co.uk)).



6150M