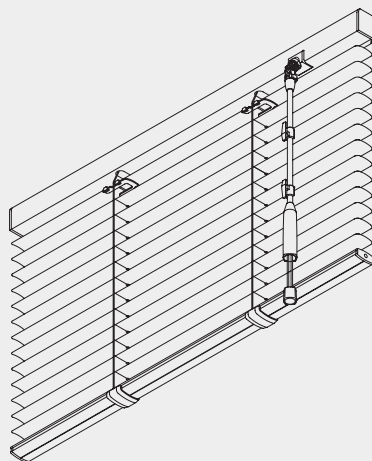


Cord/Wand operated Venetian Blind System

Silent Gliss® 8100



Product Information

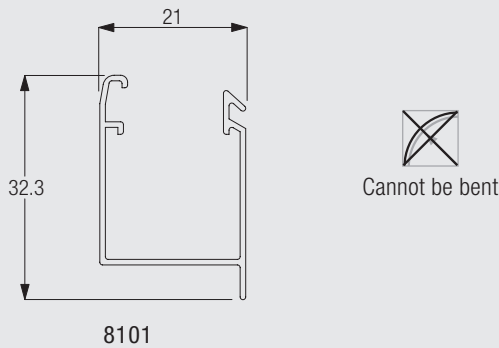
- Venetian blind system for domestic or contract applications with 16mm aluminium slats
- Small headrail which allows fitting in narrow window frames
- Unique user-friendly control wand, combining tilt operation of slats with integrated cords for fast raising/lowering of the blind
- Left or right hand operation with various wand lengths available
- Available in 77 different slat colours
- The system 8100 can be equipped with side-guide wires and can therefore be used for sloped applications up to 15° incline from vertical



8100

Profile, Bending and Specification Information

Profile for 16mm Slats



Specification Information - download from www.silentgliss.co.uk (password required).

Silent Gliss 8100 system wand control venetian blind. Overall widthcm, overall dropcm. Dual operation with control wand and integral cord LHS / RHS. Slat colour(s) to be chosen from Silent Gliss 16mm range. System is to be fixed with snap-on-brackets 8103 to ceiling / wall at 800-1000mm intervals plus one at 50mm from each end.

System Dimensions & Slat Stack Height



2.5m



28cm



2.5m



4m²

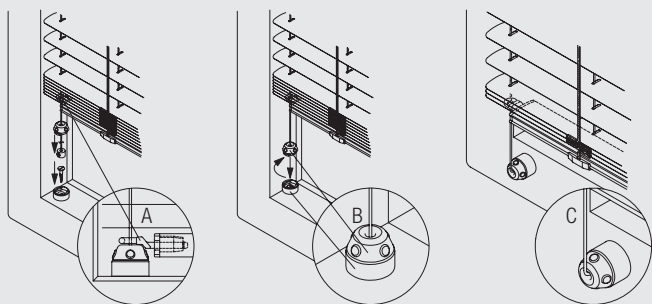
Slat stack height calculation

Slat Width (mm)	Slat Stack Height (mm)	Slat Stack Height (cm)								
		50	75	100	125	150	175	200	225	250
16	X	6.1	7.0	7.9	8.8	9.7	10.6	11.5	12.4	13.3

Please note that the indicated stack heights may vary by up to 1cm.

System Options

Side guides for stabilising blind system and sloped applications (up to 15° from vertical)

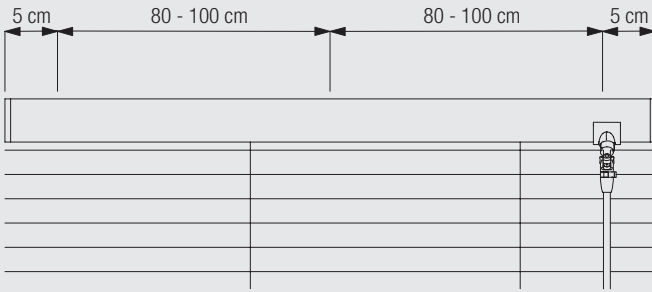


A and B: Fitting of side guides inside window frame
(A: detail eyelet / B: detail wireholder)
C: Fitting of side guides onto front of window frame

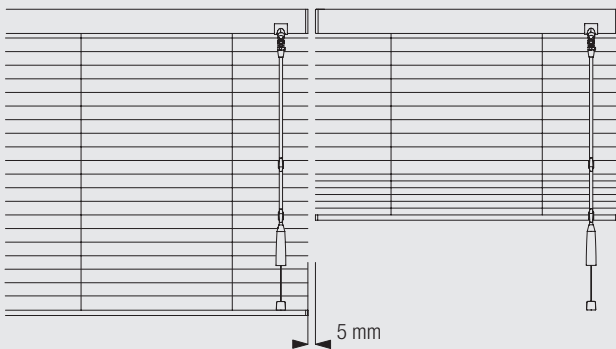
The system 8100 can be equipped with side-guide wires and can therefore also be used for sloped applications up to 15° incline from vertical.

Fitting Information

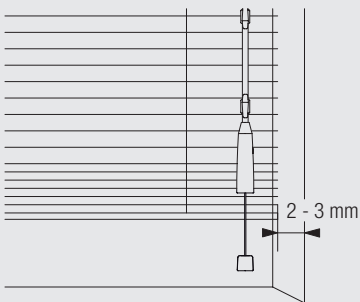
Bracket positioning



Side gaps when side-by-side fitting or recess fitting



The light gap between two systems when fitted side-by-side is only 5mm.



Distance from wall when recess fitting is 2-3mm.

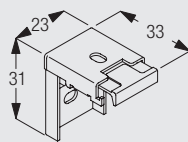
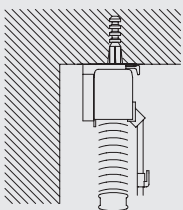


8100

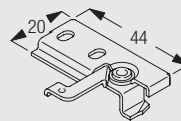
Fitting Options

CAD download through Silent Gliss website (password required) www.silentgliss.co.uk

Ceiling fix with bracket 8103 / 8149



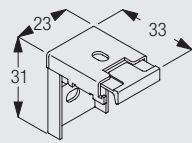
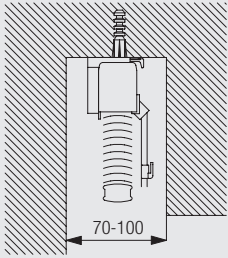
8103
Bracket (16mm)



8149
Bracket (44mm)

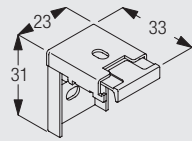
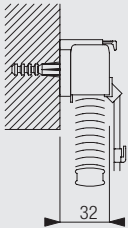
Please note: Optional bracket 8149 for inside window frame fitting.

Recess fix with bracket 8103



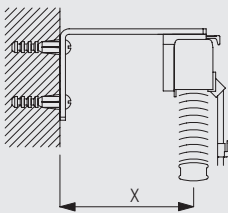
8103
Bracket (16mm)

Wall or window frame fix with bracket 8103

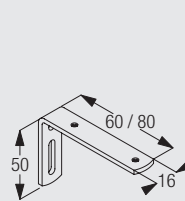


8103
Bracket (16mm)

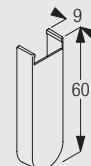
Wall fix with brackets 3134-35 and bracket 8103



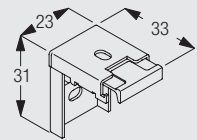
	X (mm)
3134	60
3135	80



3134-35
Brackets



3133
Bracket cover
(60mm)



8103
Bracket (16mm)



8100

Standard Accessories

8003 Bottom bar (16mm slats)



8006 Slat (16 mm)



8101 Profile



8103 Bracket (16mm)



Optional Accessories

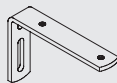
3133 Bracket cover (60mm)



3134 Extension bracket (60mm)



3135 Extension bracket (80mm)



6748 Cheese head machine screw (M4)

8128 Spacer (4°)



8129 Spacer (10°)



8149 Bracket (44mm)



8235 Wire base short



8236 Wire base long



8237 Wire holder



8241 Eyelet



8249 Locking ring



10120 Wire \varnothing 0.9 mm for side guide

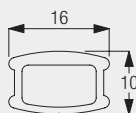


Useful Information

Control wands for the 8100 are available in the following fixed lengths:
225mm, 385mm, 585mm, 785mm, 985mm, 1185mm, 1385mm, 1585mm and 1800mm.
When ordering, please specify the length you require.

Useful Measurements

8003 Bottom bar (16mm slats)



8100