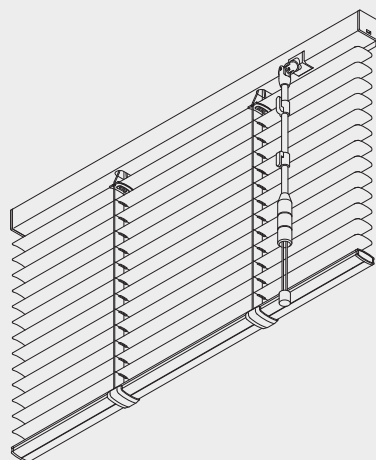


Cord/Wand operated Venetian Blind System

Silent Gliss® 8100 PC



Product Information

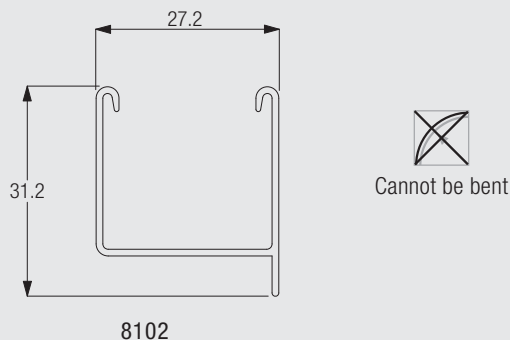
- Neat attractive venetian blind system for domestic or contract applications. Slat size 25mm.
- The special punching method for the slats situates all lift cord guide holes at the rear of the slats ensuring no direct light penetration when slats are closed. Together with its headrail flange, this makes the 8100 PC system ideal for use in offices and helps compliance with EC computer shading regulations.
- Unique user-friendly, dual action control wand combines tilt operation of slats with integrated cords for fast raising/lowering of the blind.
- Excellent range of slat colours available with high level of headrail coordination.
- Flange on headrail profile limits light ingress.
- Easy-snap brackets allow fixing along headrail where convenient.
- Supplied made to measure.
- Side guide option available.



8100

Profile, Bending and Specification Information

Headrail profile



Specification Information - download from Silent Gliss Extranet

Silent Gliss 8100 PC system wand control venetian blind. Overall widthcm, overall dropcm. Dual operation with control wand and integral cord LHS / RHS. Aluminium headrail must be rust free and incorporate a flange to minimise light ingress at top of blind, slats to have lift guide holes punched at rear of slat to prevent any direct light penetration. Slat colour(s) to be chose from Silent Gliss 25mm range. System is to be fixed with snap-on-brackets 8104 to ceiling / wall at 800-1000mm intervals plus one at 50mm from each end.

System Dimensions



3m



28cm



3m



5sqm

Slat stack height calculation



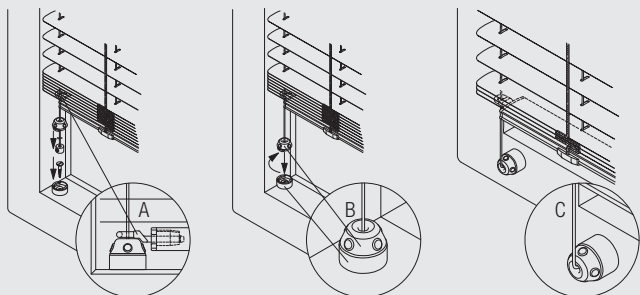
8100

Slat width	X	Blind Drop										
		50cm	75cm	100cm	125cm	150cm	175cm	200cm	225cm	250cm	275cm	300cm
25mm (PC)	X	6.4cm	7.3cm	8.1cm	9.1cm	9.6cm	10.6cm	11.5cm	12.3cm	13.2cm	14.0cm	15.0cm

Please note that the indicated stack heights may vary by up to 1cm.

System Options

Side guides for stabilizing blind system and sloping applications (up to 15°)



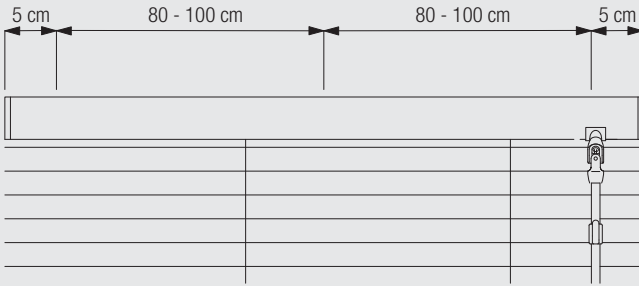
A and B: Fitting of side guides inside window frame (A: detail eyelet / B: detail wireholder)

C: Fitting of side guides onto front of window frame

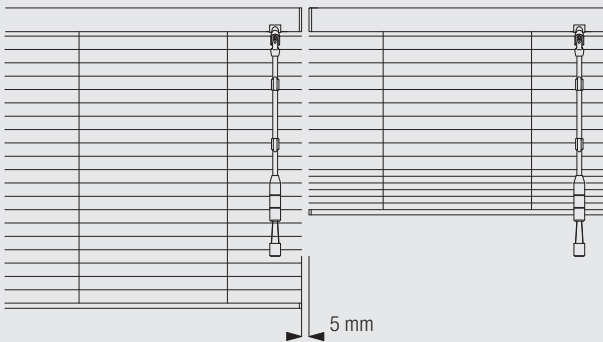
The system 8100 can be equipped with side-guide wires and can therefore also be used for sloping applications up to 15° inclination.

Fitting Information

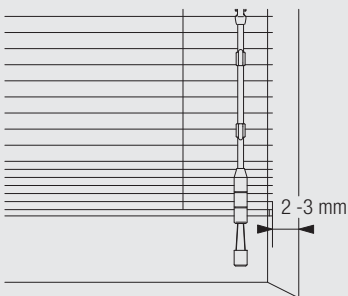
Bracket positioning



Side gaps when side-by-side fitting or recess fitting



The light gap between two systems when fitted side-by-side is only 5mm.



Distance from wall when recess fitting is 2-3mm.

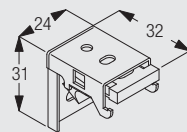
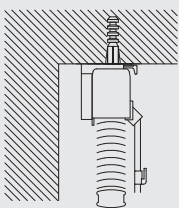


8100

Fitting Options

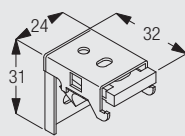
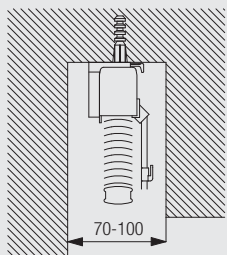
CAD download through Silent Gliss Extranet

Ceiling fix with bracket 8104



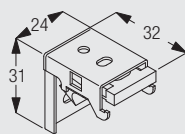
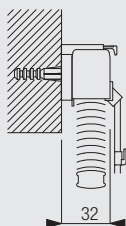
8104
Bracket (25 mm)

Recess fix with bracket 8104



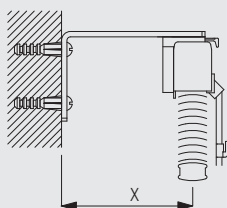
8104
Bracket (25 mm)

Wall or window frame fix with bracket 8104 and optional 0681 spacer

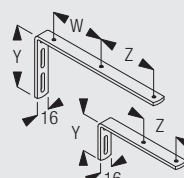


8104
Bracket (25 mm)

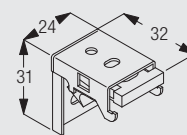
Wall fix with brackets 3134-35 and bracket 8104



	X (mm)	W (mm)	Y (mm)	Z (mm)
3134	52	-	50	-
3135	72	-	50	50



3134-39
Extension brackets
(60-200mm)



8104
Bracket (25 mm)



8100

Standard Accessories

8004 Bottom bar (25mm slats)



8102 Profile



8104 Bracket (25 mm)



Optional Accessories

0681 Spacer



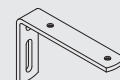
3133 Bracket cover (60mm)



3134 Extension bracket (60mm)



3135 Extension bracket (80mm)



3275 Adjustable extension bracket set (69mm)



3276 Adjustable extension bracket set (92mm)



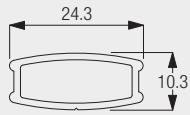
6748 Cheese head machine screw (M4)

Useful Information

Control wands for the 8100PC are available in the following fixed lengths:
35cm, 51cm, 71cm, 91cm, 111cm, 131cm, 151cm, 171cm, 193cm.
When ordering, please specify the length you require.

Useful Measurements

8004 Bottom bar (25mm slats)



8100