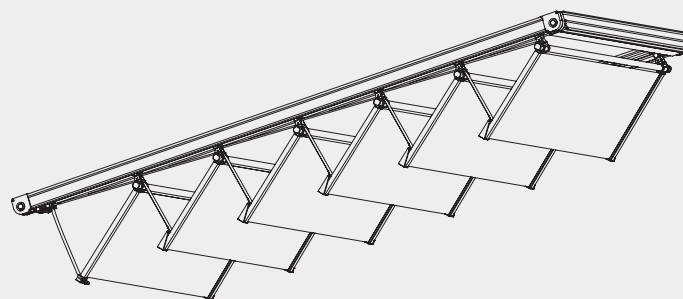


## Motorised Skylight Shading System

# Silent Gliss® 8800



### Product Information

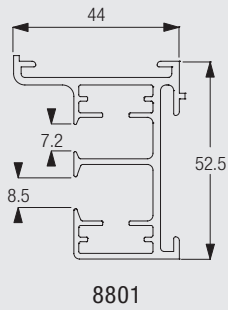
- A unique and technically advanced heavy duty glass roof shading system
- Panel tilting and retracting technique
- Suitable for applications up to 30° from horizontal
- Vertical positions of panels limits soiling and heat build up
- Specially defined fabrics available
- The system components are made from flame retardant and UV-resistant material
- Can be combined with Radio Remote Control System Silent Gliss 9940/0450



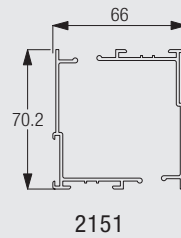
8800

## Profile, Bending and Specification Information

### Main Carrier Profile



### Profile 2151 for motor cover

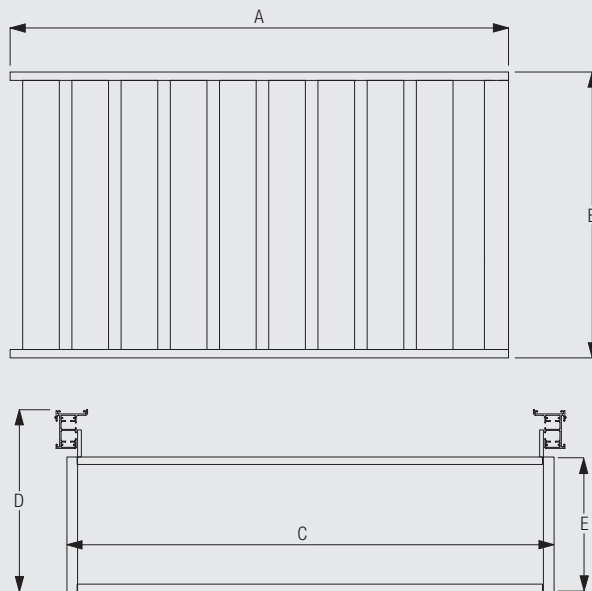


### Specification Information - download from Silent Gliss website [www.silentgliss.co.uk](http://www.silentgliss.co.uk)

8800 electrically operated tilting panel skylight system ready assembled with motor enclosed headbox 2151 complete with drive shafts, side guide channels and panels for blinds. Side guide channels to be fixed at 60-80cm centres and headbox to be fixed with 3004 clamps and screw fix through headbox 2151. .... off.....wide x .....drop (girth) guide channels, side channels with fabric panels ..... wide x 36cm drop suspended from system at 32cm intervals.

## Measuring and Planning

### How to measure



Sides must always be parallel

A: System length

B: System width

C: Panel width

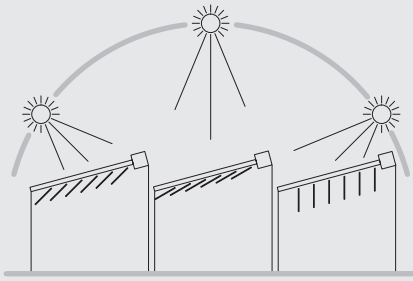
D: Total system height is always 52cm

E: Fabric panel drop - 36cm



8800

## Planning guidelines

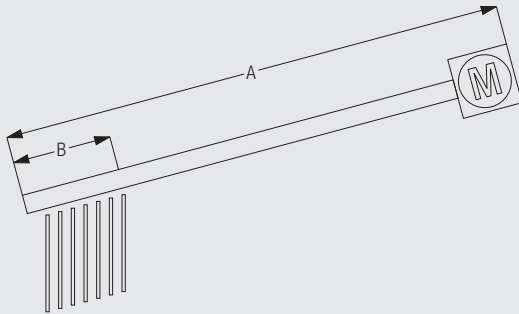


### Orientation of the System

In order to optimize glare and light control, special attention has to be given to the position of the system to the sun throughout the day.

It is important to consider that the panels always tilt towards the stack.

Due to the number of possible variables when planning this system it is important that advice is sought from a Silent Gliss trained technician.



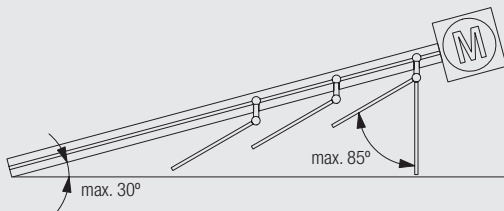
### Motor Positioning

With sloping systems, the motor is always positioned at the highest point of the system.

### Stack Sizes

Stack sizes are variable: As the length (A) increases, so does the stack (B).

A	4m	6m	8m	10m	12m
B	43cm	65cm	88cm	114cm	136cm



### Tilting on a sloping system

Suitable for applications up to 30° from horizontal. The maximum tilting of the panel from its vertical position is 85°.



8800

## System and Panel Dimensions



3m



max. 36sqm



12m (0° inclination)  
7m (30° inclination)



Max panels: 36



67kg

### Maximum system measures

Inclination	0°	15°	30°
Width	3m	3m	3m
Length	12m	10m	7m
height	0.52m	0.52m	0.52m

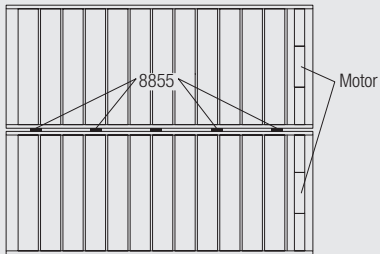
The maximum dimensions of the system and panels depend from the degree of inclination. The angle of the system will affect the maximum dimension.

## Panel measurements (fabric)

The height of the fabric panels is always 36cm.

## System Options

### Multiple systems

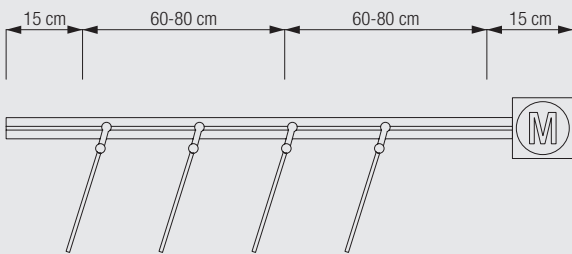


With intermediate bracket 8855 parallel fixing of multiple systems is possible. This allows shading of unlimited glazed areas.

However each system requires its own motor.

## Fitting Information

### Bracket positioning



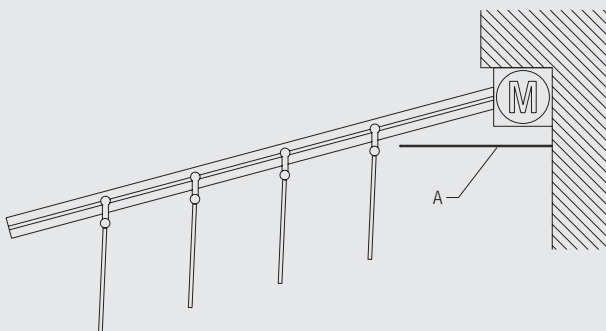
This diagram illustrates the likely positioning of brackets.

It is likely that customised brackets will be required with this system.

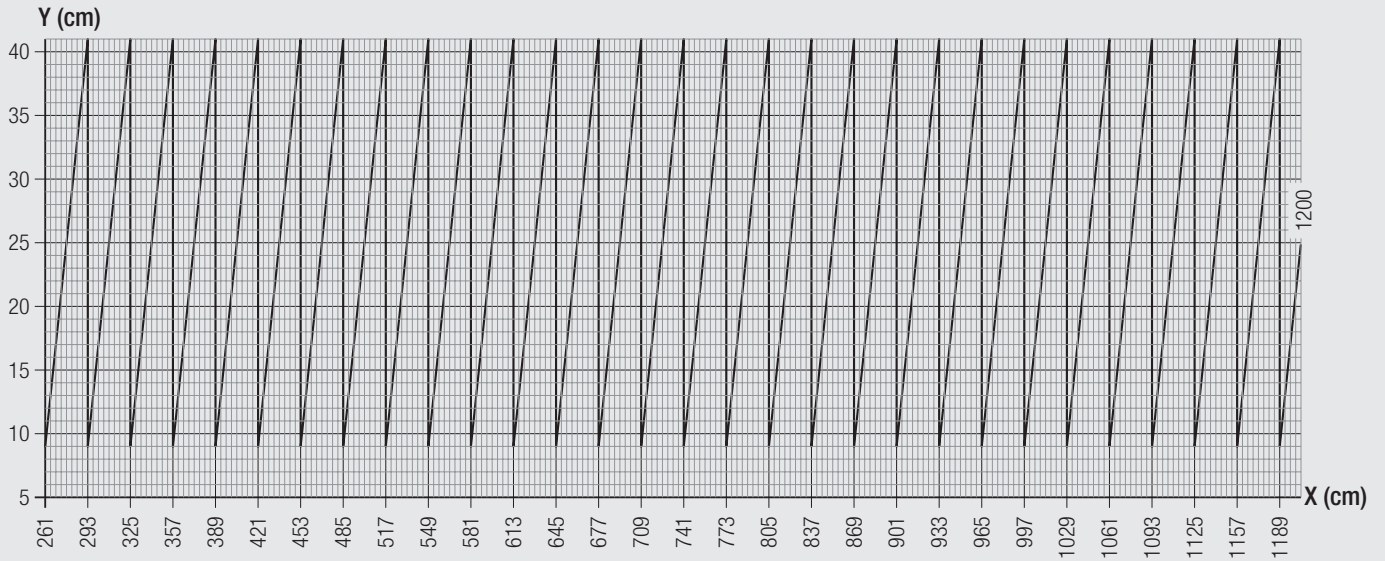
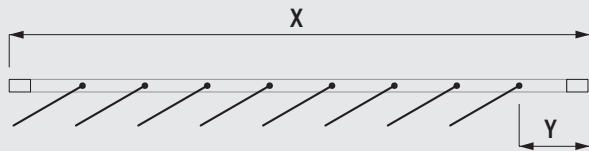


8800

### Fitting of motor and covering of motor gap

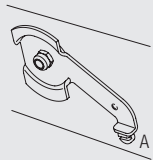


Customised cover panels may be required at either end of the system.



Due to technical reasons there will be a light gap (y) on the front side of the system. The size of the gap depends on the length of the system (x). If required, this gap can be hidden with a special faceplate (fitting on site).

### Securing the clamp



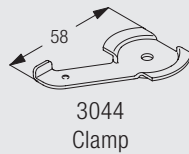
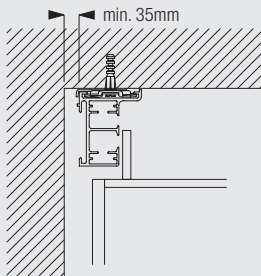
A: Clamps 3044 require fixing with a small screw for maximum security.



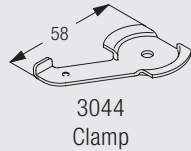
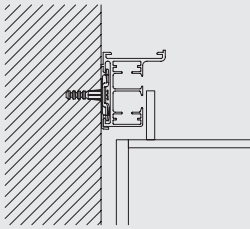
8800

## Fitting Options

### Ceiling fix with clamp 3044 (single system)

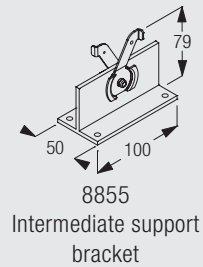
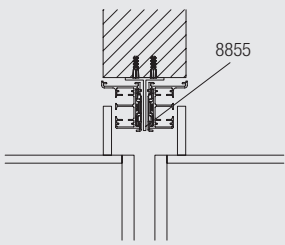


## Wall fix with clamp 3044



Clamp 3044 requires additional fixing with a small screw for maximum security.

## Parallel ceiling fix with Intermediate support combination 8855 and clamp 3044 (multiple systems)



## Standard Accessories

0766 In-line connector (complete/no lead)



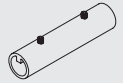
1003 Profile



2151 Profile



2242 Connector



3014 Endcover (22.4mm)



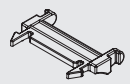
3044 Clamp



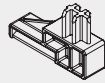
8801 Profile



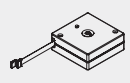
8834 Wedge



8837 Panel guide



8840 Tensioner comb.



## Optional Accessories

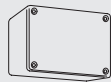
0578 Pattress box



0615 Latching switch inc. pattress box



5736 Relay socket



5741 Klik plug



5742 Klik socket



8855 Intermediate support bracket

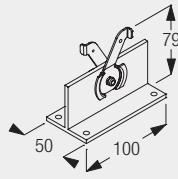


8861 Distance plate



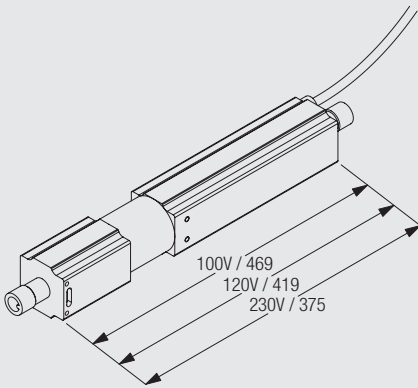
## Useful Measurements

8855 Intermediate support bracket



## Motorisation

### Motor Silent Gliss 9009

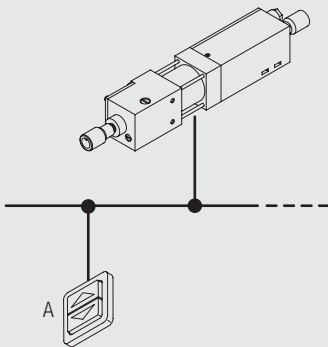


- Torque: 12Nm / 10Nm
- Voltage: 120V / 230V
- Frequency: 60Hz / 50Hz
- Power: 150W / 150W
- Current: 1.35A / 0.66A
- Speed: 30rpm / 35rpm
- Thermal overload protection
- Mechanical end stop

The Silent Gliss 9009 motor is an interference-free motor, designed to offer top performance in regard to strength and reliability. The entire motor is integrated in the profile.

### Operating Methods

Operation via fixed switch (single system)

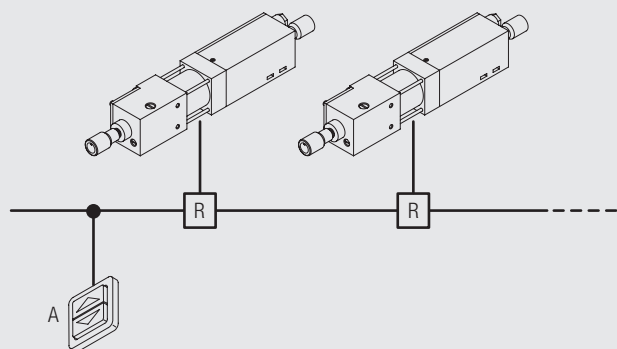


A: Switch and 120/230V supply  
All cabling between switch and motor is to be 3 core + earth



8800

### Operation via fixed switch (multiple systems)

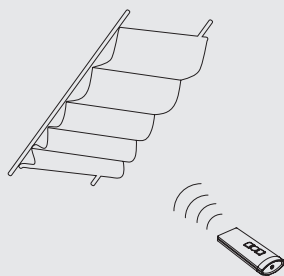


A: Switch and 120/230V supply

R: Relay

All cabling between switch - relay - motor is to be 3 core + earth

### Operation with radio control systems 9940/0450



System can be combined with Radio Remote Control Systems Silent Gliss 9940/0450, with minimum wiring. For further details, please refer to catalogue section "Motors & Controls".

### Wiring and Connections

Important: Wiring diagrams are available at [www.silentgliss.co.uk](http://www.silentgliss.co.uk) (password required).



8800