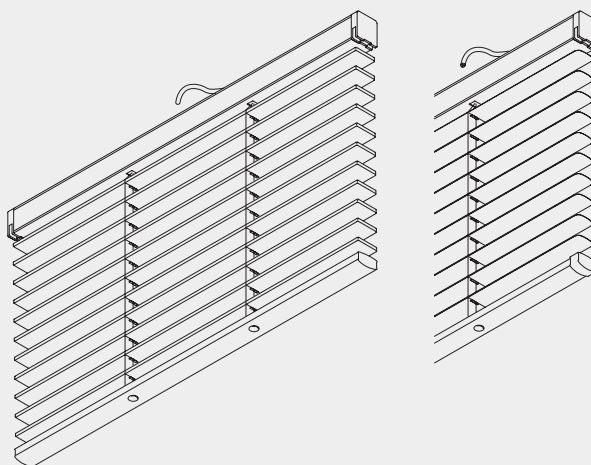


Motorised Venetian Blind System

Silent Gliss® 8950 Wood & Aluminium



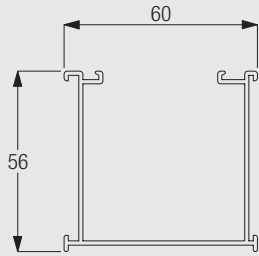
Product Information

- Motorised venetian blind system
- Available with real wood slats (25mm or 50mm) or aluminium slats (50mm)
- Matching slat is inserted into the headrail to avoid the need for a cumbersome valance
- Attractive slat colour choice
- The wooden slats can be made flame retardant (extra cost)
- Side-guide option available
- Made to measure
- Available with fabric tapes (50mm only)
- Can be controlled with Radio Remote Control System Silent Gliss 9940/0450



8950

Profile, Bending and Specification Information



8901



Cannot be bent

Specification Information - download from www.silentgliss.co.uk (password required).

Silent Gliss 8950 system electrically operated Venetian blind. Overall widthcm, overall dropcm. Aluminium headrail incorporating matching slat. Slat colour to be chosen from Silent Gliss 50mm range. System to be fixed with Silent Gliss universal brackets 0511 to ceiling or wall at 450mm intervals plus one at 100mm from each end. Supplied with switch 0613 and in-line connector 0766 as standard.

System Dimensions & Stack Size Calculation



243cm (Wood)
360cm (Alu)



56cm
75cm with tapes



275cm (Wood)
360cm (Alu)



4.4sqm (Wood 25mm)
4.6sqm (Wood 50mm)
10sqm (Alu)

Slat stack height calculation

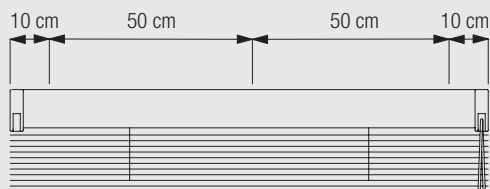
Wooden	Slat width		Blind Drop							
			60cm	90cm	120cm	150cm	180cm	210cm	240cm	270cm
	25mm	X	15.5cm	21.0cm	26.0cm	31.5cm	36.5cm	42.0cm	47.0cm	52.5cm
	50mm	X	12.0cm	14.5cm	17.0cm	19.5cm	22.0cm	24.5cm	27.0cm	29.5cm

Aluminium	Slat width		Blind Drop		
			100cm	200cm	300cm
	50mm	X	10.2cm	13.2cm	16.7cm

Please be aware that when tapes are used on venetian blinds, the stack size will be larger than the above stated figures.

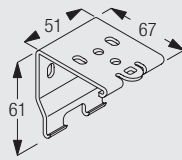
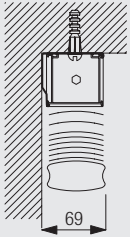
Fitting Information

Bracket positioning



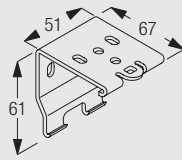
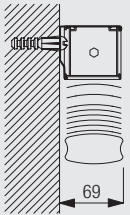
Fitting Options

Ceiling fix



0511
Universal bracket

Wall fix



0511
Universal bracket

Please note: If fitting in a recess, a minimum gap of 90mm must be allowed.

Standard Accessories

0511 Universal bracket



0613 5-position switch



0766 In-line connector (complete/no lead)



8901 Profile



8950

Optional Accessories

0565 Non-latching switch



0578 Pattress box



5742 Klik socket

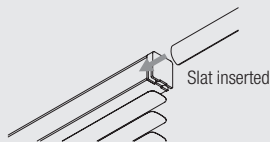


Colour / Wood Coordination Options

Slat Finish	Slat Colour / Wood Finish	Headrail Colour	Headrail Endcovers	Bottom Rail Colour	Bottom Rail Endcovers	Operating Cord Colour	Tilter	Lift Tape	Ladder Braid	Brackets	Tape Colour (Only for 50mm wooden slats)
Wooden	Soft White	White	White	Soft White	-	White	White	White	-	White	Off white
	Antique Pine	Bronze	Black	Antique Pine	-	Brown	Brown	Brown	-	Brown	Sahara
	Vintage Maple	Bronze	Black	Vintage Maple	-	Brown	Brown	Brown	-	Brown	Wheat
	Harvest Oak	Bronze	Black	Harvest Oak	-	Brown	Brown	Brown	-	Brown	Dark Beige
	Almond Rustic	Vanilla	Vanilla	Almond Rustic	-	Vanilla	Vanilla	Vanilla	-	Vanilla	Raw Linen
	Cool Oak	Bronze	Black	Cool Oak	-	Brown	Brown	Brown	-	Brown	Dark Brown
	Dark Walnut	Bronze	Black	Dark Walnut	-	Brown	Brown	Brown	-	Brown	Dark Brown
	Platinum	White	White	Platinum	-	White	White	White	-	White	-
	Antique Gold	Bronze	Black	Antique Gold	-	Brown	Brown	Brown	-	Brown	-
	Fired Copper	Bronze	Black	Fired Copper	-	Brown	Brown	Brown	-	Brown	-
	So Natural	Bronze	Black	So Natural	-	Brown	Brown	Brown	-	Brown	Sahara
	Sugar Maple	Bronze	Black	Sugar Maple	-	Brown	Brown	Brown	-	Brown	Golden Oak
	Light Oak	Bronze	Black	Light Oak	-	Brown	Brown	Brown	-	Brown	Wheat
	Cottage Pine	Bronze	Black	Cottage Pine	-	Brown	Brown	Brown	-	Brown	Wheat
	Burnished Maple	Bronze	Black	Burnished Maple	-	Brown	Brown	Burnished	-	Brown	Toffee
	Natural Cherry	Bronze	Black	Natural Cherry	-	Brown	Brown	Brown	-	Brown	Dark Brown
	Rustic Mahogany	Bronze	Black	Rustic Mahogany	-	Brown	Brown	Brown	-	Brown	Maroon
	Pale Pecan	Bronze	Black	Pale Pecan	-	Brown	Brown	Brown	-	Brown	Dark Brown
	Walnut	Bronze	Black	Walnut	-	Brown	Brown	Brown	-	Brown	Dark Brown
	Raw Wenge	Bronze	Black	Raw Wenge	-	Brown	Brown	Brown	-	Brown	Dark Brown
	Alpine	White	White	Alpine	-	White	White	White	-	White	Off White
	White	White	White	White	-	White	White	White	-	White	White
	Bleached	Vanilla	Vanilla	Bleached	-	Vanilla	Vanilla	Vanilla	-	Vanilla	Off White
	Linen	Vanilla	Vanilla	Linen	-	Vanilla	Vanilla	Vanilla	-	Vanilla	Off White
	Alabaster	Vanilla	Vanilla	Alabaster	-	Vanilla	Vanilla	Vanilla	-	Vanilla	Alabaster
	Sandwashed	Vanilla	Vanilla	Sandwashed	-	Vanilla	Vanilla	Vanilla	-	Vanilla	Raw Linen
Pale Pink	Vanilla	Vanilla	Pale Pink	-	Vanilla	Vanilla	Vanilla	-	Vanilla	White	
Aqua	Vanilla	Vanilla	Aqua	-	Vanilla	Vanilla	Vanilla	-	Vanilla	White	
Pale Green	Vanilla	Vanilla	Pale Green	-	Vanilla	Vanilla	Vanilla	-	Vanilla	Celadon	
Black	Bronze	Black	Black	-	Brown	Brown	Brown	-	Brown	Black	
Light Blue	Vanilla	Vanilla	Light Blue	-	Vanilla	Vanilla	Vanilla	-	Vanilla	Alice Blue	
Green	Bronze	Black	Green	-	Brown	Brown	Brown	-	Brown	Forest	
Alu	Grey	White	White	Grey	-	White	White	White	-	White	-
	White	White	White	White	White	White	Vanilla	White	White	White	-
	Silver	Silver	Silver	Silver	White	Vanilla	White	White	White	White	-
	Black	Brown	Black	Black	Neutral	Brown	Black	Brown	Black	Brown	-
	Cream	Vanilla	Vanilla	Vanilla	Neutral	Vanilla	Vanilla	Vanilla	Vanilla	Vanilla	-

* These colour combinations are recommended, however any other combination is available. Various components can also be colour coordinated/painted at extra cost.

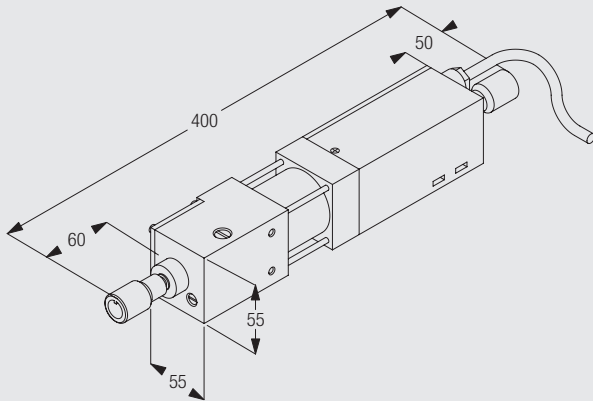
8950



An actual slat is inserted into the headrail for perfect matching of colours and materials to avoid the need to fit a cumbersome valance.

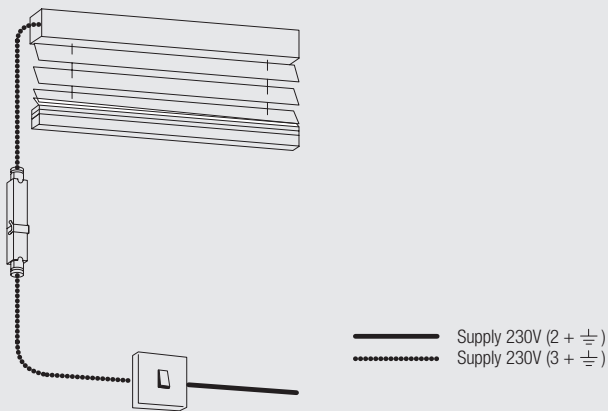
Motorisation

Silent Gliss motor 0611



- Torque: 2 x 4.5Nm
- Voltage: 230V 50Hz
- Current: 0.57A
- Thermal overload protection
- CE Standard
- Mechanical limit setting
- Weight: 2kg

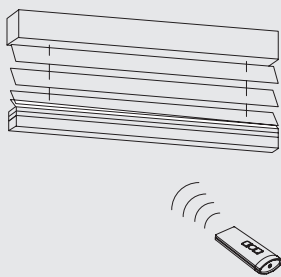
Fixed switch



Where multiple blinds are to be operated simultaneously, it is recommended that system 0450 or 9940 radio controls are used.

For equal slat tilting it is necessary to use individual or individual and simultaneous switching

Radio Control with Silent Gliss Systems 9940/0450



This system can be combined with the Radio Remote Control Systems Silent Gliss 9940/0450 with minimum wiring. For further details, please refer to catalogue section "Motors & Controls".

Wiring and Connections

Important: Wiring diagrams are available on the Silent Gliss website www.silentgliss.co.uk (password required). Please contact Silent Gliss for information on access.



8950