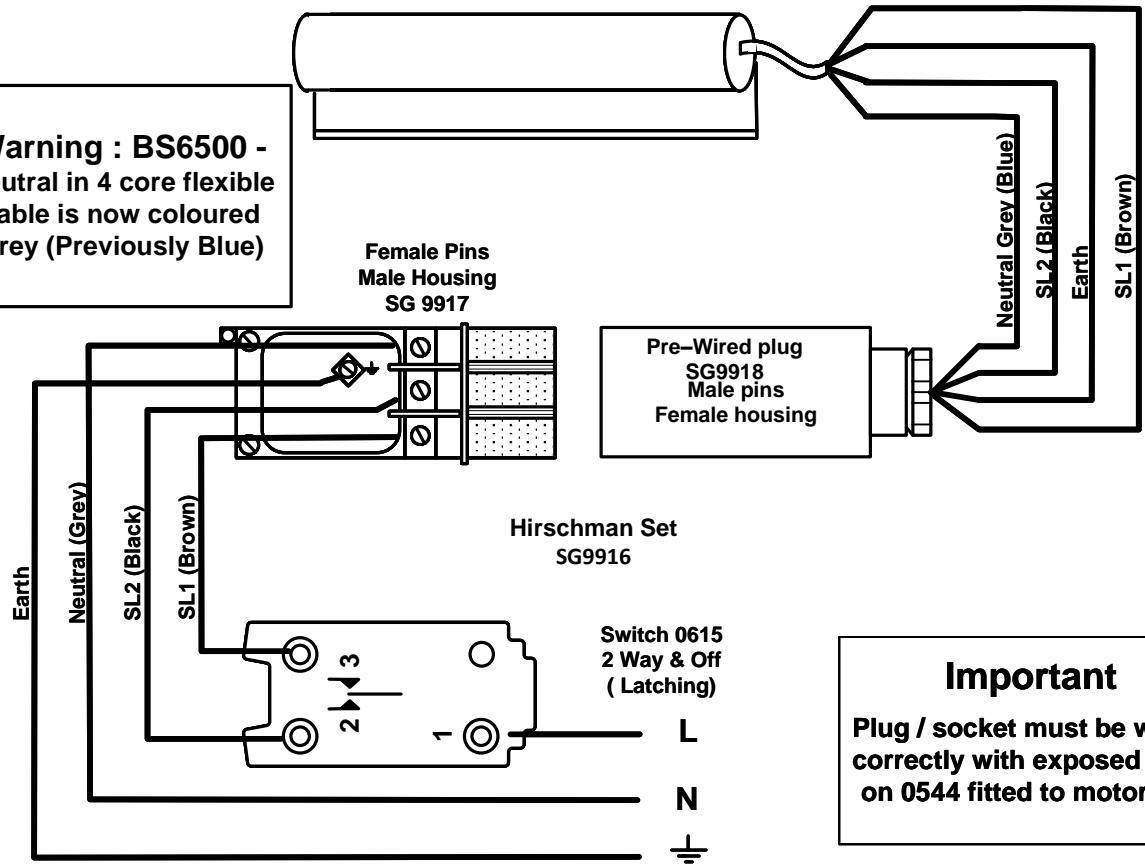


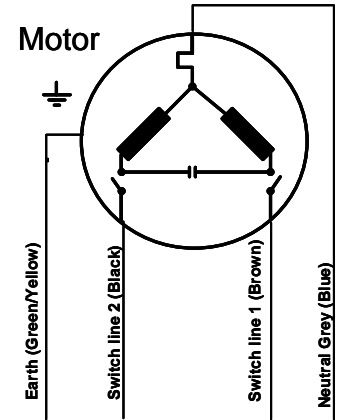
All printed & electronically distributed copies of this drawing are uncontrolled copies

**Multiple motors must not be wired in parallel to this diagram - See E102 & E103  
 Product specific**

**Warning : BS6500 -  
 Neutral in 4 core flexible  
 cable is now coloured  
 Grey (Previously Blue)**



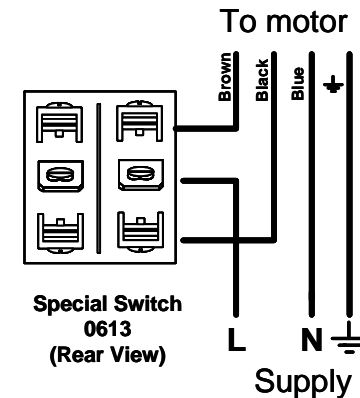
**Important**  
 Plug / socket must be wired  
 correctly with exposed pins  
 on 0544 fitted to motor tail



To reverse direction on  
 command  
 Swap SL1 & SL2 at plug

**System Motor  
 Ratings( 230v)**

- SG2195 - 0.6amp
- SG2350 - 0.8amp
- SG4760 - 0.8amp
- SG4770 - 0.8amp
- SG4780 - 0.8amp
- SG4960 - 0.8amp
- SG4970 - 0.8amp
- SG4880 - 0.9amp
- SG5800 - 2.2amp
- SG8600-0.66amp
- SG8640-1.00amp
- SG8960-0.50amp



Special Switch  
 0613  
 (Rear View)

**Systems SG8960  
 Only**

Individual system control  
 recommended

Silent Gliss Ltd  
 Poorhole Lane.  
 Broadstairs  
 Kent CT10 2PT  
 Tel 01843 863571  
 Fax 01843 864503  
 E-mail: info@silentgliss.co.uk  
 Web site: www.silentgliss.co.uk

**1 Motor from 1 Switch**  
**Systems SG2195, SG5800, SG8600,SG8640, SG8960**

**SG2350, SG4760/70/80, SG4960, SG4970, SG4880 Series 20 Motors only**

**Drawing Number**

**E 101**

Issue Date 18/11/22  
 FRO