



Available from
SG-S Silent Gliss Spares
 Silent Gliss Systems
 www.sg-s.co.uk email: sales@sg-s.co.uk
 Tel: 0330 1272002 - 01395 232528

Transformer

Input Volts :155 – 255v
 AC
 Input Freq: 50Hz
 No load power: 0.5a

Output Volts: 24v DC
 Output @24v: 2.7a
 IP20 Rated

Receiver

Input Volts :12-24v dc
 Current – 1300mA
 Output Freq: 433Hz

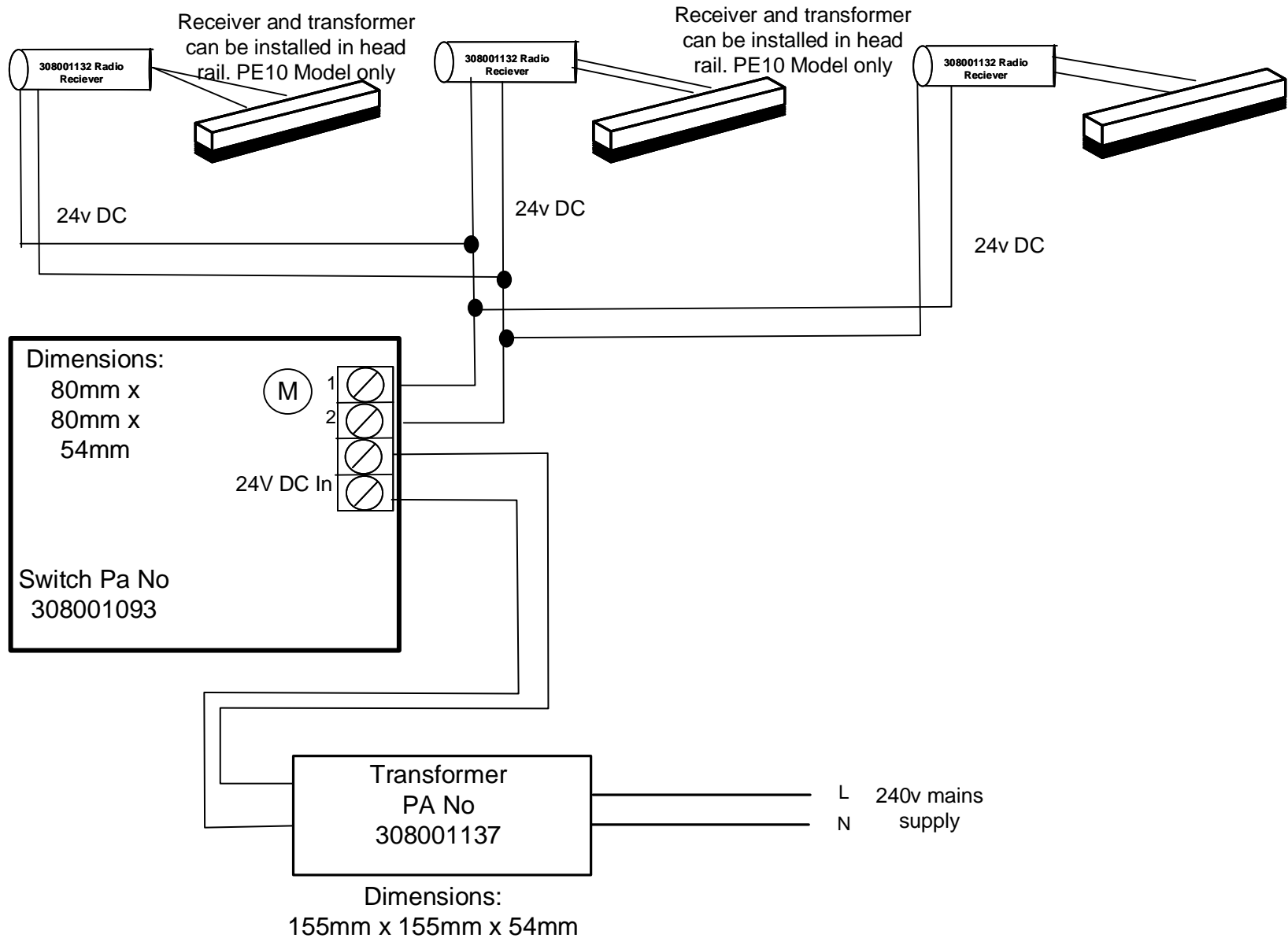
Motor

Input Volts :12-24v dc
 Current – 600mA

Note:

Check Cables from Keypad to Motor make sure they are adequate for 24v DC, Such as 16/18 awg

Silent Gliss Ltd
 Poorhole Lane.
 Broadstairs
 Kent CT10 2PT
 Tel 01843 863571
 Fax 01843 864503
 E-mail: info@silentgliss.co.uk
 Web site: www.silentgliss.co.uk



PE Blinds 24v DC Somfy Radio
 Upto 4 Blinds Simultaneously
 PE Blinds Only

Drawing Number
E 128
 Issue Date 18/5/21 FRO