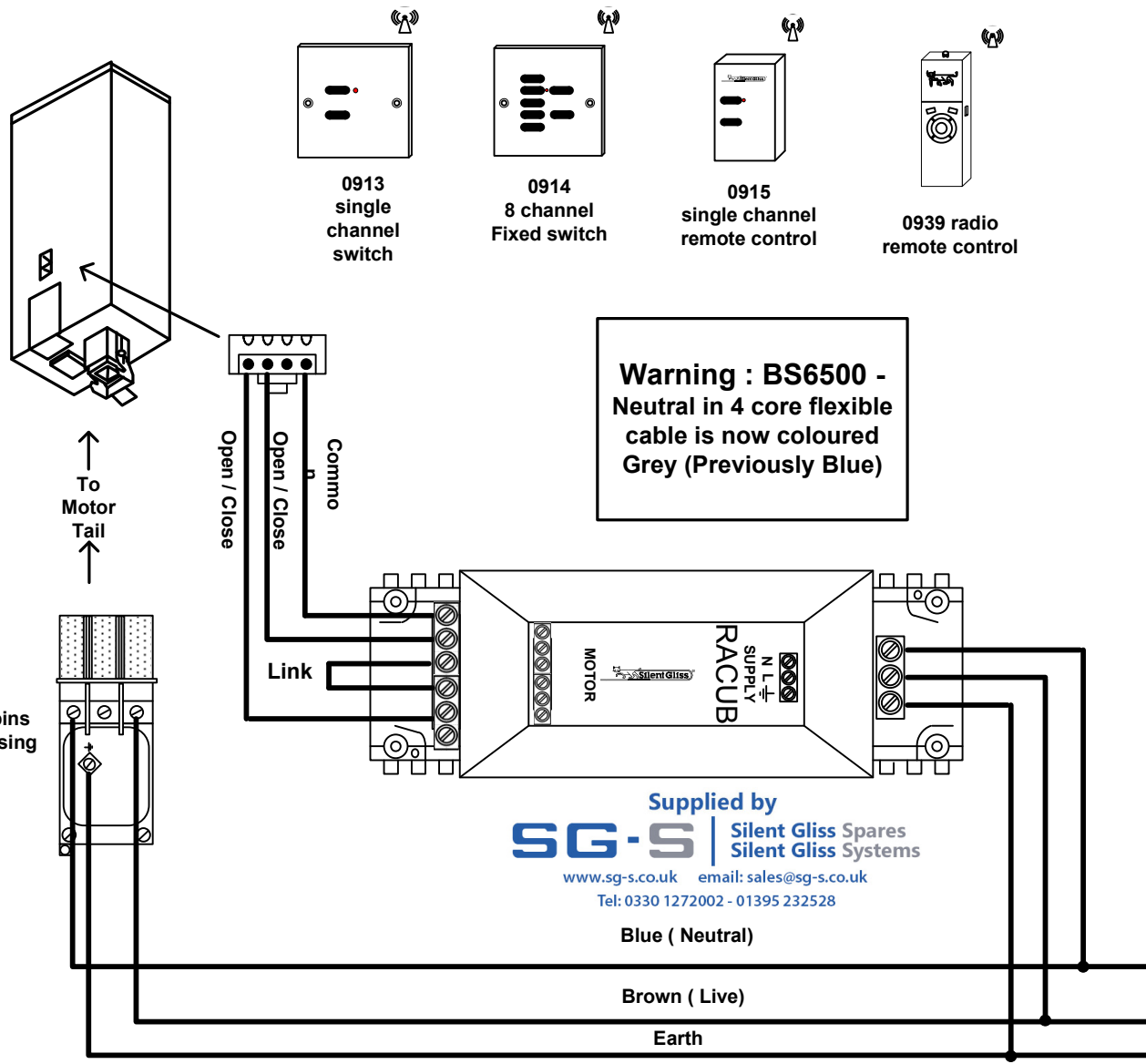


System Motor Rating
230V
5300 – 0.82 amp

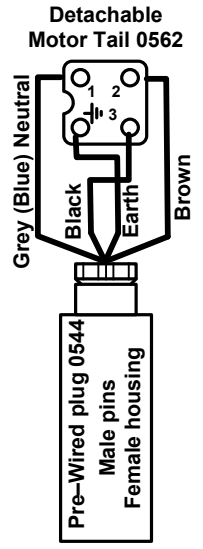
5360
DIP Switch
Setting

| | | | |
|-----|----|-----|-----|
| 1 | 2 | 3 | 4 |
| off | on | off | off |

Silent Gliss Ltd
Poorhole Lane.
Broadstairs
Kent CT10 2PT
Tel 01843 863571
E-mail: info@silentgliss.co.uk
Web site: www.silentgliss.co.uk



Supplied by
SG-S | Silent Gliss Spares
Silent Gliss Systems
www.sg-s.co.uk email: sales@sg-s.co.uk
Tel: 0330 1272002 - 01395 232528



Important
Plug / socket must be wired correctly with exposed pins on 0544 fitted to motor tail

Remarks
Always connect protective earth
Always read safety instruction in user manual first

Silent Gliss Radio Control System 0450 Receiver Systems 5300 Single Motor only

Drawing Number
E205
Issue Date