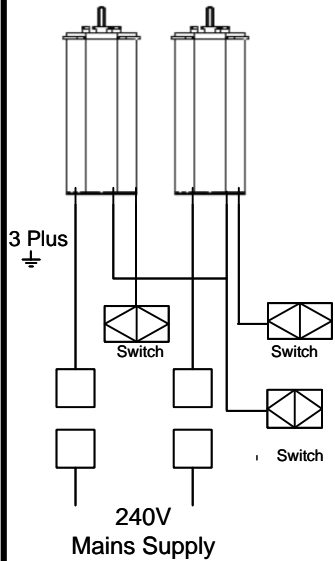




Available from
SG-S Silent Gliss Spares
 Silent Gliss Systems
 www.sg-s.co.uk email: sales@sg-s.co.uk
 Tel: 0330 1272002 - 01395 232528

Motor



Low Voltage Plug – Pin-outs

- Pin 1**
Common & +24DC 3.5amp
- Pin 2**
Open (Individual Motor)
- Pin 3**
Close (Individual Motor)
- Pin 4**
Open (Link to additional motor)
- Pin 5**
Close (Link to additional motor)
- Pin 6**
0 V DC

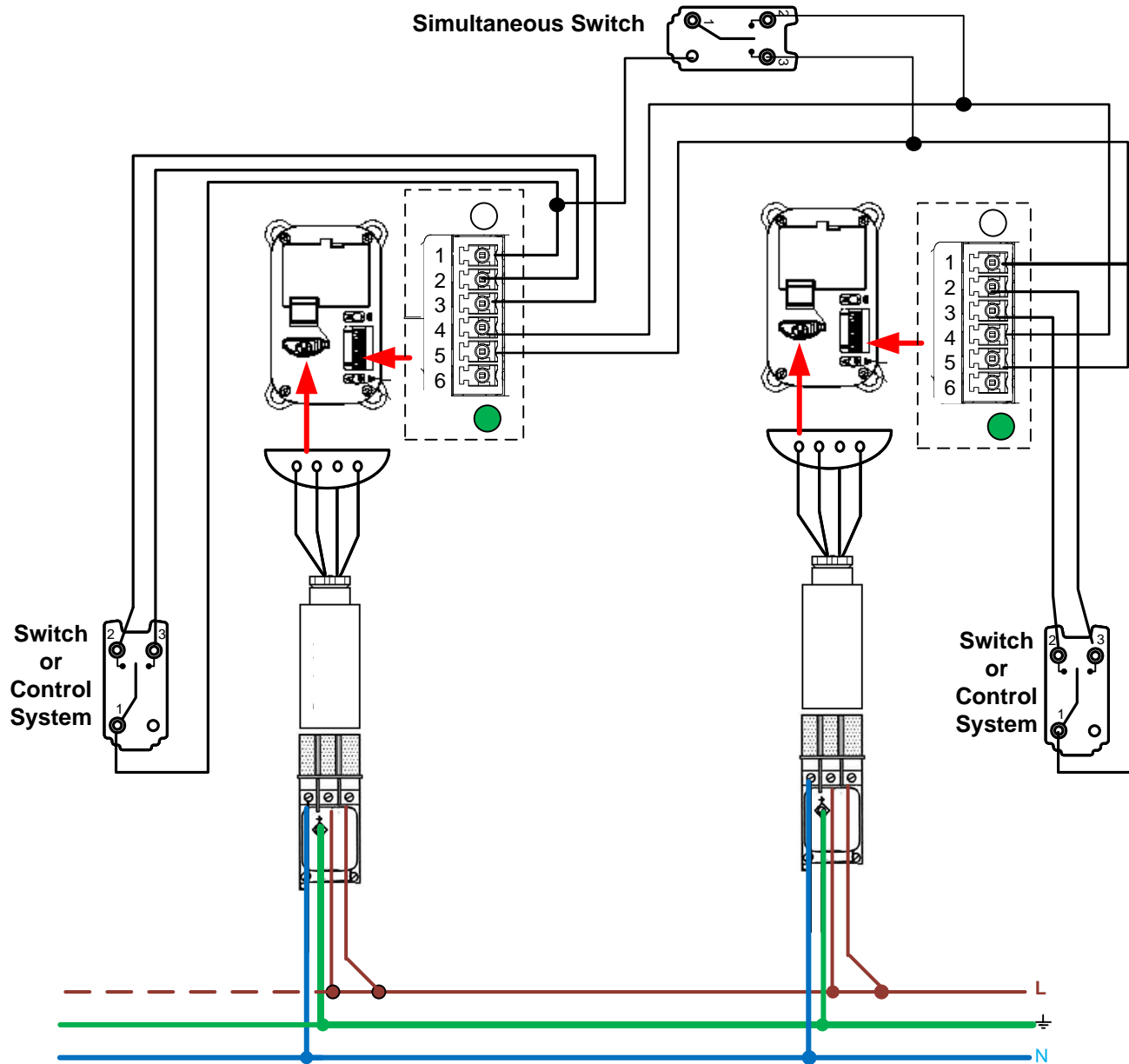
Motor Rating

- 0.50A @ 240v 50Hz
- 1.30A @ 110v 60Hz

Silent Gliss Ltd

Poorhole Lane.
 Broadstairs
 Kent CT10 2PT
 Tel 01843 863571
 E-mail: info@silentgliss.co.uk
 Web site: www.silentgliss.co.uk

Simultaneous Switch

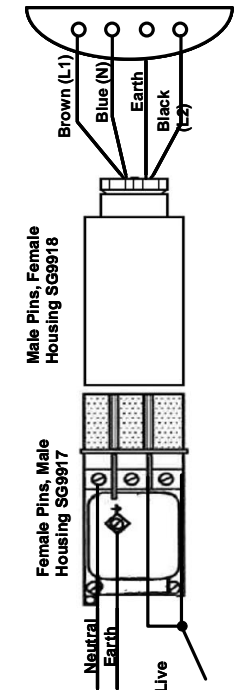


Dip Switch Settings

- Dip 1 - On = motor latching
Off = motor non-latching
- Dip 2 - On = Touch & Go On
Off = Touch & Go Off
- Dip 3 - On = Speed 21 cm / sec
Off = Speed 15 cm / sec
(Dip 1 setting effects dry contact switching only)

Motor Setting

Detachable Motor Tail



Supply
 90-250v AC

Motor Tail 2.0 m inc plugs

Drawing Number

E302

Issue Date 30/5/22

FRO

**Silent Gliss Curtain Tracks – 0v Dry Contact Switching
 System SG5600 SG7650**