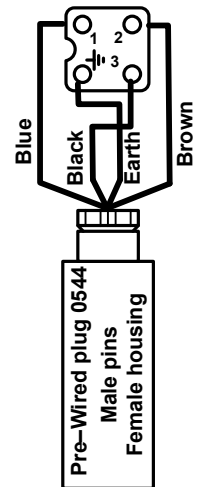


Detachable Motor Tail 0562

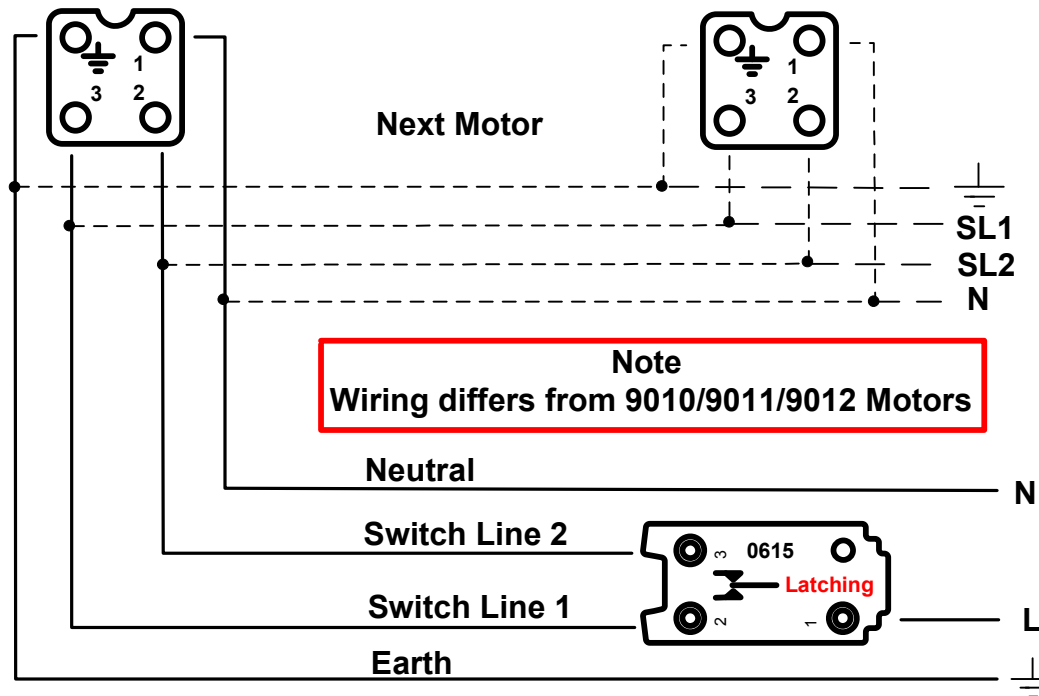


Maximum 3 motors simultaneous recommended.

Above 3 motors a competent electrician should be consulted to ensure wiring and controls are suitable.

Motor Rating

0.5 A @ 230 V  
1.0 A @ 115 V



**Note**  
Wiring differs from 9010/9011/9012 Motors

90-260 v AC Supply

Silent Gliss Ltd  
Poorhole Lane.  
Broadstairs  
Kent CT10 2PT  
Tel 01843 863571



# Silent Gliss Curtain Tracks 5400 & 5420 Mains Switching

Motor Type  $\times$  BB  $\times$   
Drawing Number

## E 501

Issue Date 15-06-07