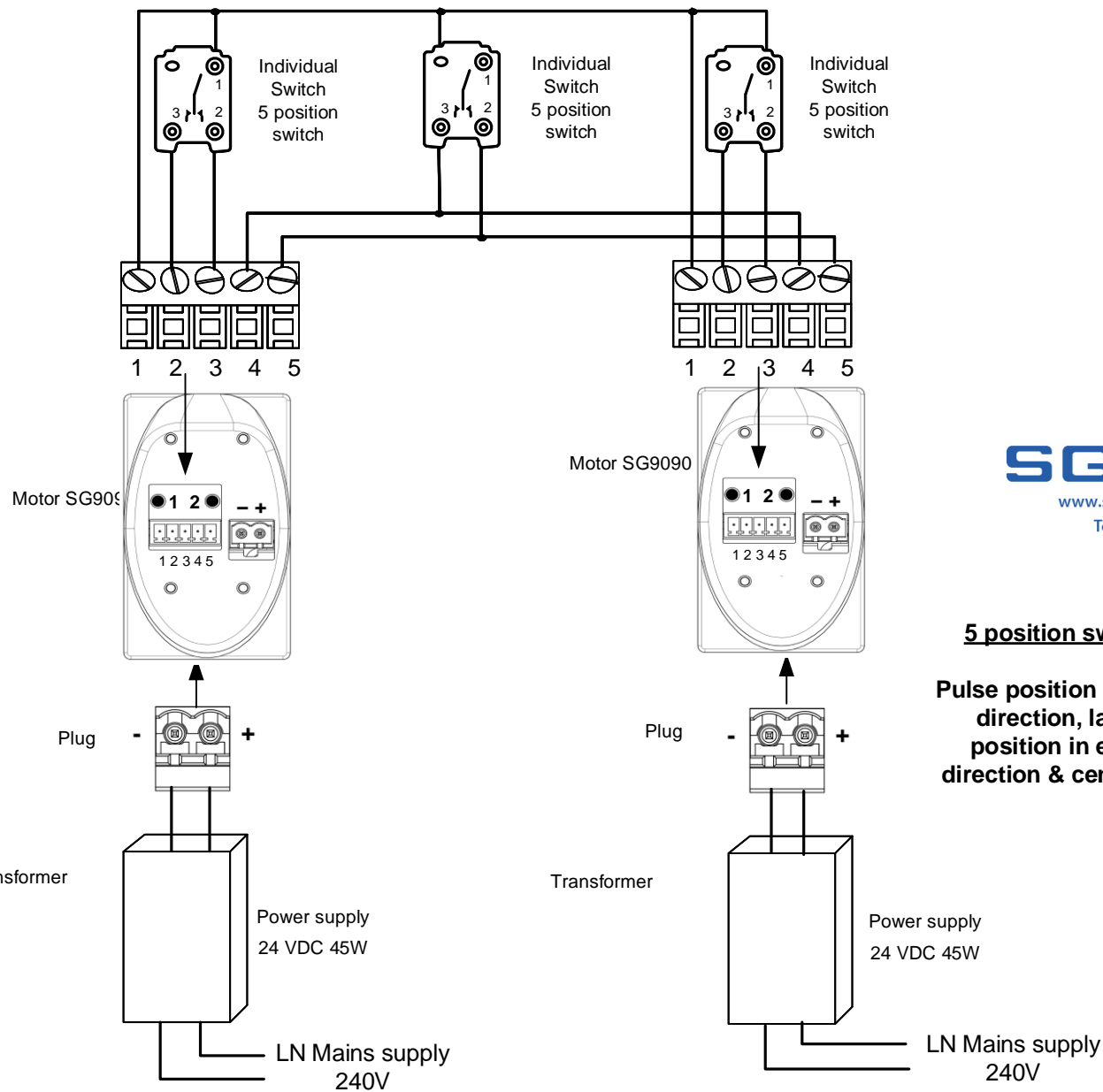


All printed & electronically distributed copies of this drawing are uncontrolled copies



Low Voltage Plug

- Pin 1**
Common (+20<24v DC)
- Pin 2**
Open (Individual Motor)
- Pin 3**
Close (Individual Motor)
- Pin 4**
Open (Simultaneous)
- Pin 5**
Close (Simultaneous)

Supplied by
SG-S | Silent Gliss Spares
 Silent Gliss Systems
www.sg-s.co.uk email: sales@sg-s.co.uk
 Tel: 0330 1272002 - 01395 232528

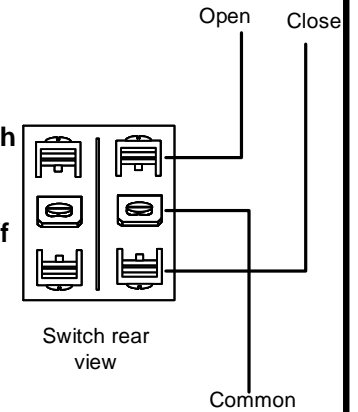
Switches
 Please note
 switching on the
 SG9090 motor is
 by permanent dry
 contact latching
 switching only

 Optional Radio
 control via
 SG 9091 motor

Motor rating 1.9A
 @ 24 VDC

5 position switch

Pulse position in each
 direction, latch
 position in each
 direction & centre off



Systems

Individual system control
 recommended

Silent Gliss Ltd
 Poorhole Lane.
 Broadstairs
 Kent CT10 2PT
 Tel 01843 863571
 Fax 01843 864503
 E-mail: info@silentgliss.co.uk
 Web site: www.silentgliss.co.uk

**System SG2650 & SG2950 Low Voltage Switching
 Motor SG9090**

Drawing Number

E505

Issue Date: 5/11/19