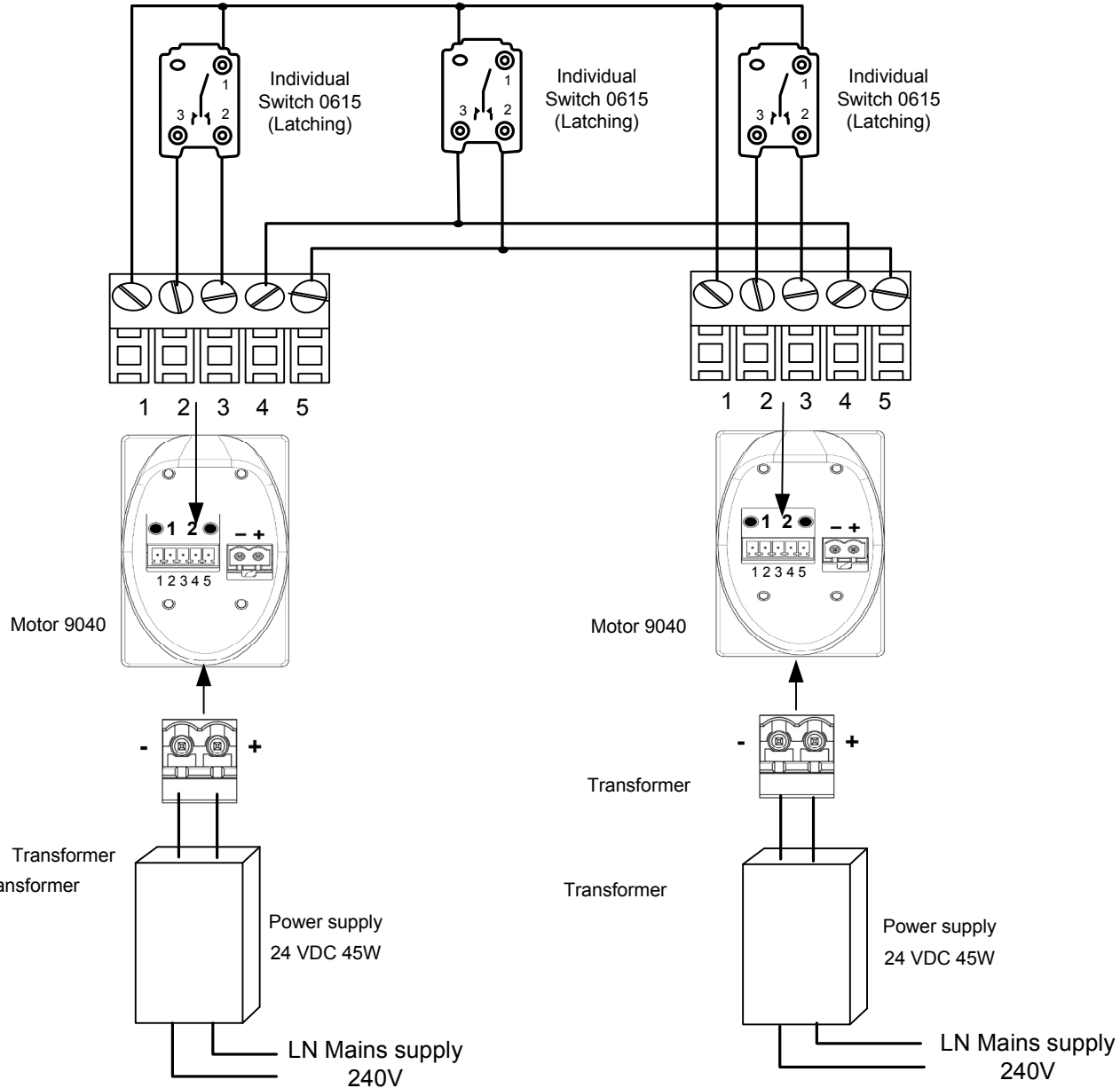


**Switches**  
Please note  
switching on the  
9040 motor is by  
permanant dry  
contact latching  
switching only

-----  
Optional Radio  
control via 9041  
motor

-----  
Motor rating 1.9A  
@ 24 VDC



**Low Voltage Plug**

- Pin 1  
Common (+20<24v DC)
- Pin 2  
Open (Individual Motor)
- Pin 3  
Close (Individual Motor)
- Pin 4  
Open (Simultaneous)
- Pin 5  
Close (Simultaneous)