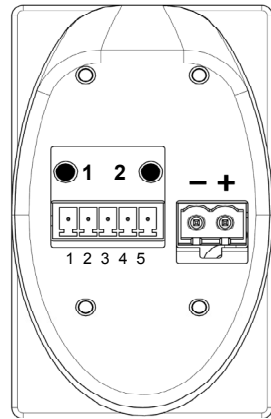
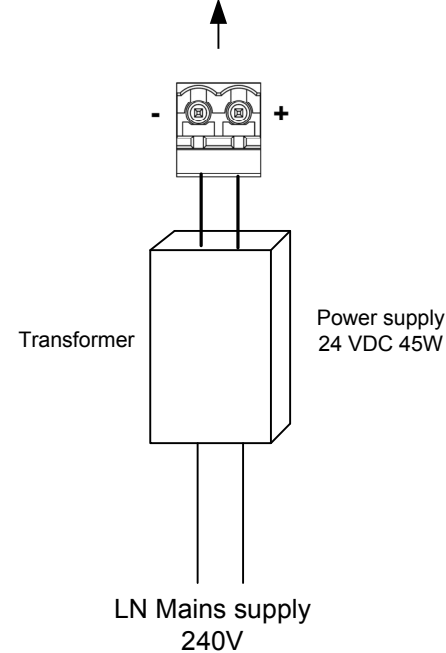
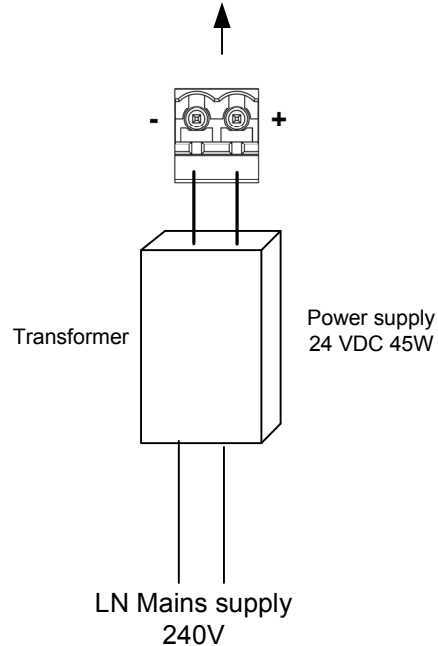
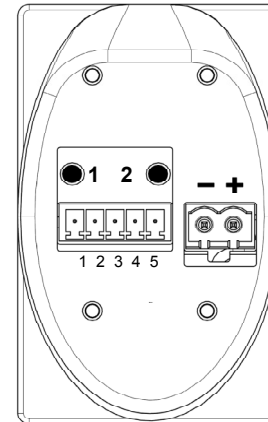


Motor 9041



Motor 9041



**Note**

9041 motors can be operated in conjunction with low voltage wiring, refer to Diagram 5200/ 5220 LV

Motor rating 1.9A @ 24 VDC

