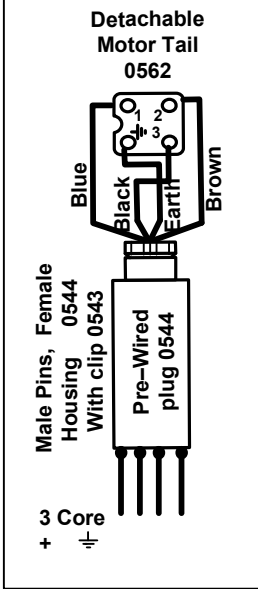
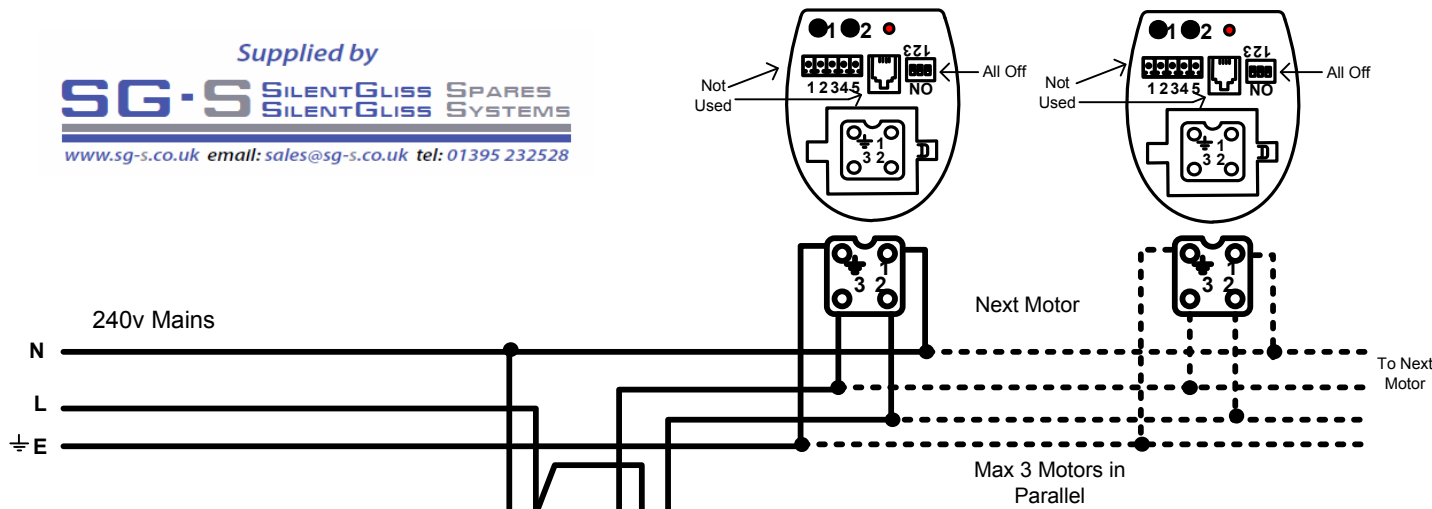
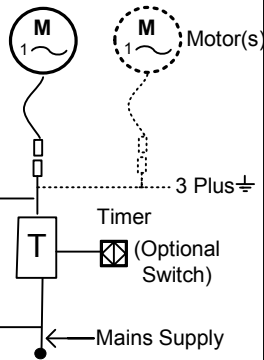




Supplied by
SG-S SILENTGLISS SPARES
 SILENTGLISS SYSTEMS
 www.sg-s.co.uk email: sales@sg-s.co.uk tel: 01395 232528



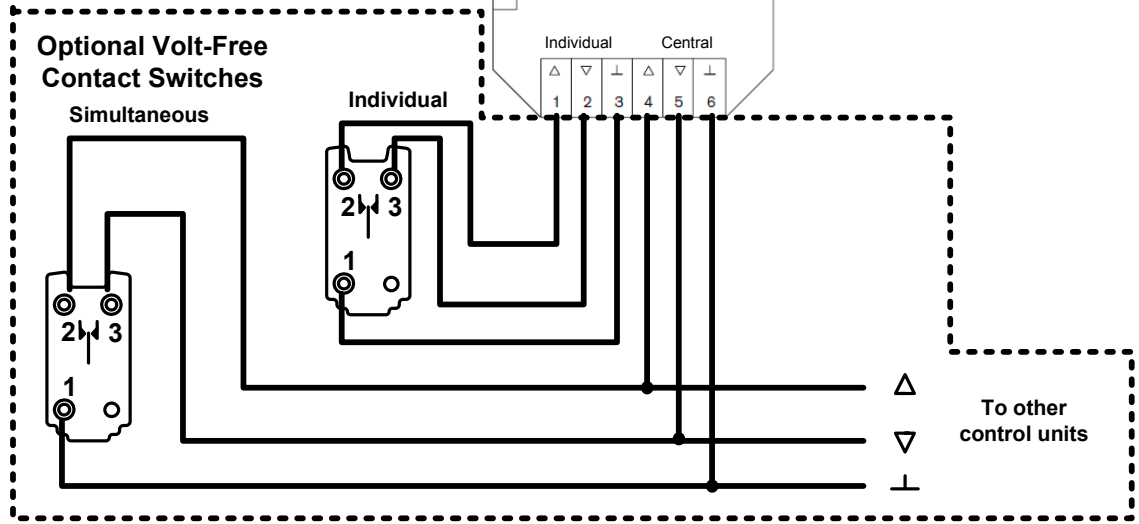
Motor Rating

0.5 A @ 230 V
 1.0 A @ 115 V

5400, 5420

Notes

Mains 240v
 Dip switch
 Settings
 1 = OFF
 2 = OFF
 3 = OFF



1/3 Motors 9020 From 9952 Timer via 240v Mains

Systems 5400, 5420

Motor Type A B C
 Drawing Number

E511

Issue Date

Silent Gliss Ltd
 Poorhole Lane.
 Broadstairs
 Kent CT10 2NF
 Tel 01843 863571
 Fax 01843 864503
 E-mail: info@silentgliss.co.uk
 Web site: www.silentgliss.co.uk