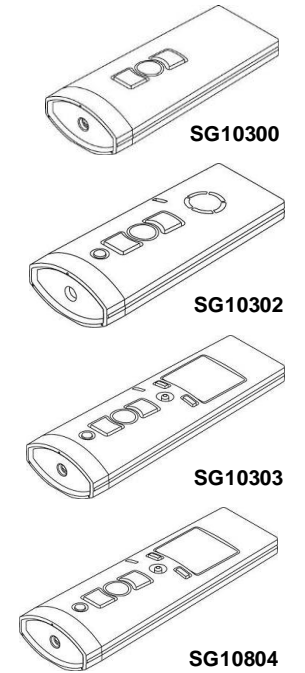
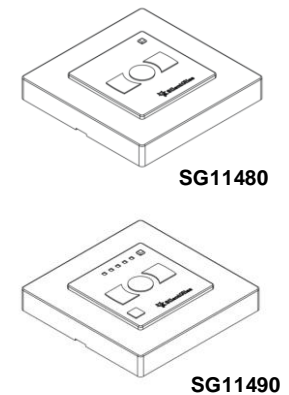


Refer to separate instructions for set-up and commissioning of radio controls

Transmitters



Switches



**Note**

SG9091 motors can be operated in conjunction with low voltage wiring, refer to Diagram E505

Motor rating 1.9A @ 24 VDC