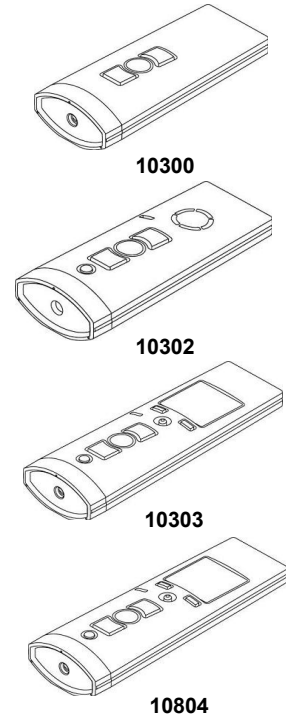


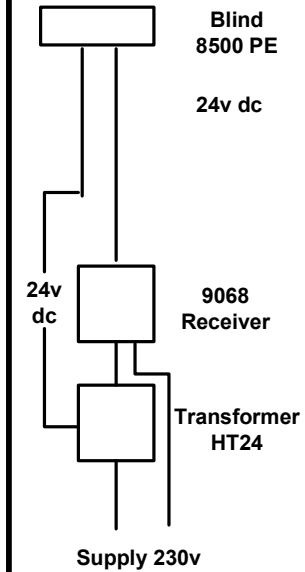
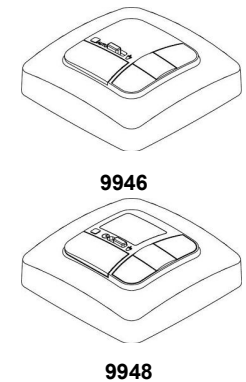
Note
 TS24 Time Stop & HT24 Transformer
 housed in the 8500 Blind Headbox –
 down to 500 mm width – narrower blinds
 will be supplied with the parts sent
 externally.

Supplied by
SG-S | Silent Gliss Spares
 Silent Gliss Systems
 www.sg-s.co.uk email: sales@sg-s.co.uk
 Tel: 0330 1272002 - 01395 232528

Transmitters

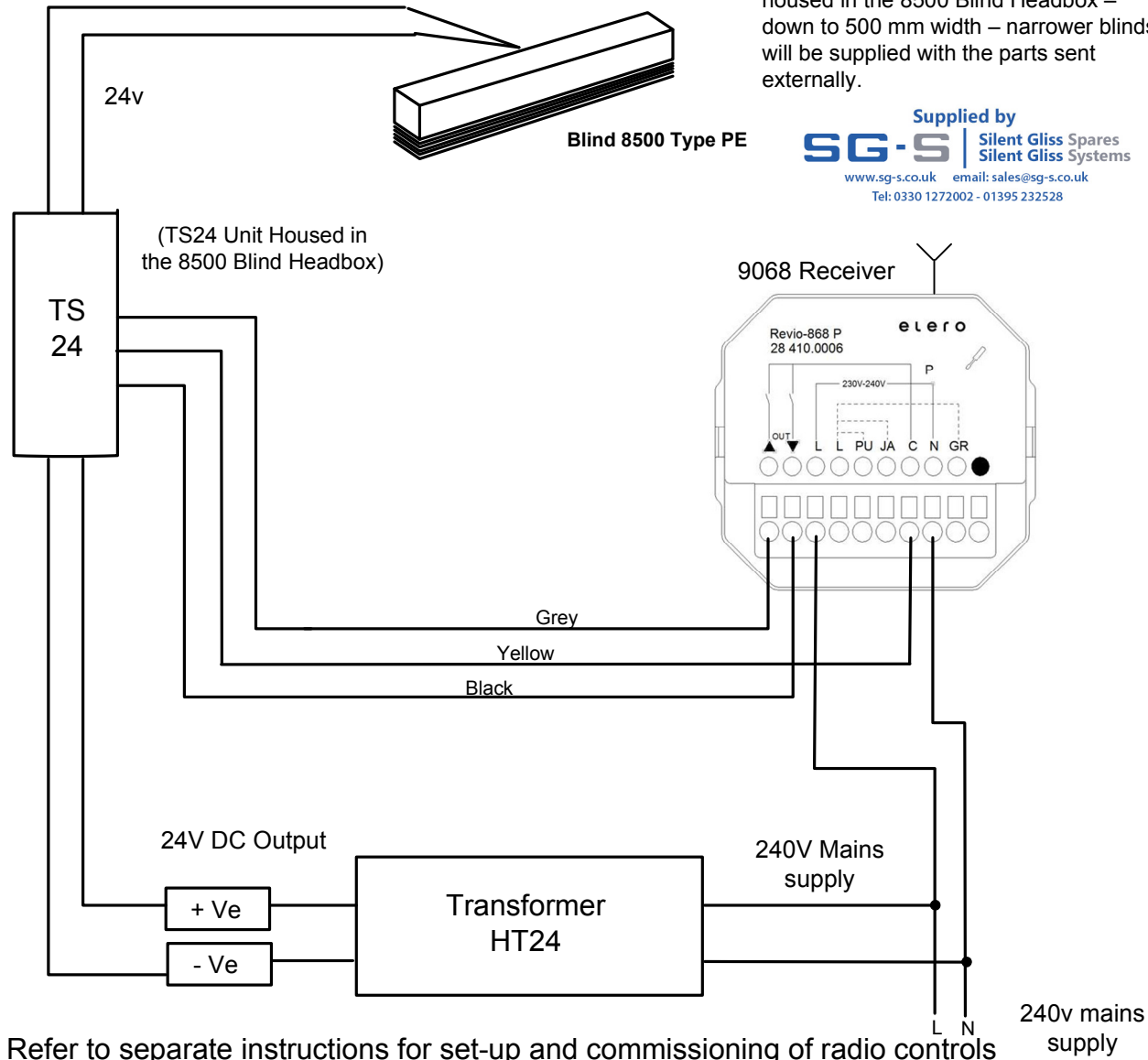


Switches



Supply 230v

Motor Rating
 24V DC 600mA



Refer to separate instructions for set-up and commissioning of radio controls

Silent Gliss Ltd
 Poorhole Lane.
 Broadstairs
 Kent CT10 2PT
 Tel 01843 863571
 Fax 01843 864503
 E-mail: info@silentgliss.co.uk
 Web site: www.silentgliss.co.uk

Silent Gliss Radio Control System 9940 via 9068
Systems 8500 Type PE

Drawing Number

E 609

Issue Date 25-01-16