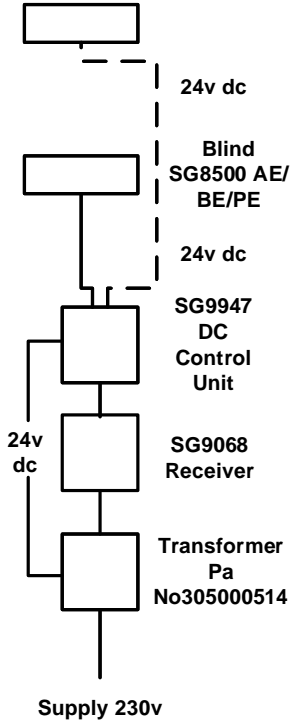


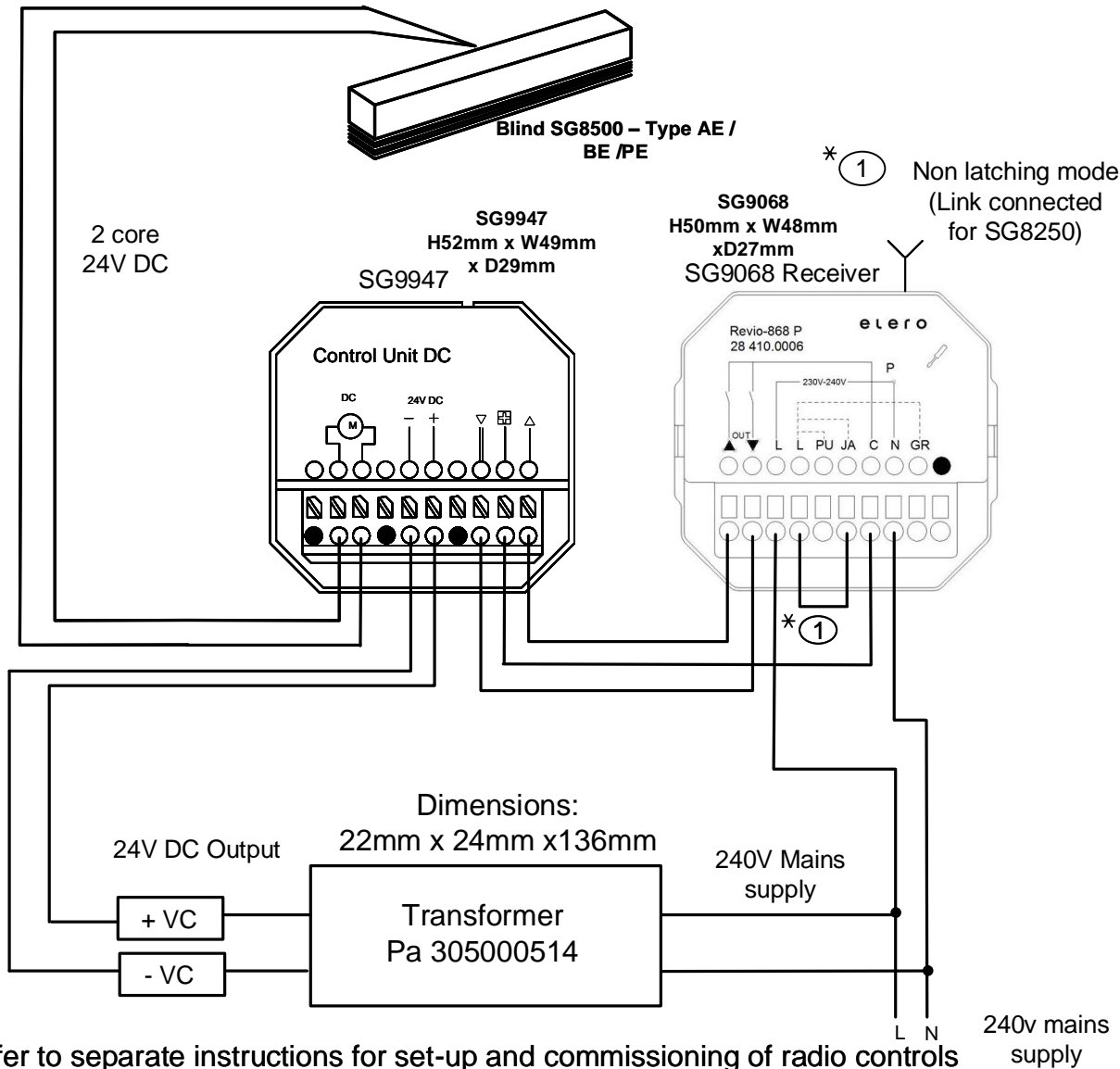


Available from
SG-S Silent Gliss Spares
 Silent Gliss Systems
 www.sg-s.co.uk email: sales@sg-s.co.uk
 Tel: 0330 1272002 - 01395 232528

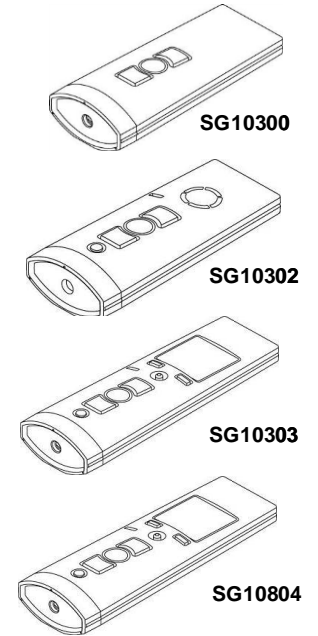


Motor Rating
 24V DC 600mA

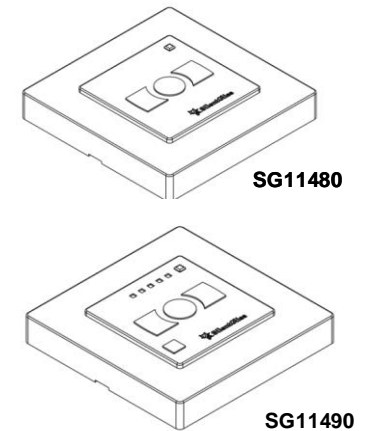
Silent Gliss Ltd
 Poorhole Lane.
 Broadstairs
 Kent CT10 2PT
 Tel 01843 863571
 Fax 01843 864503
 E-mail: info@silentgliss.co.uk
 Web site: www.silentgliss.co.uk



Transmitters



Switches



Silent Gliss Radio Control System SG9940 - SG9947/SG9068 Systems 8500 AE / BE / PE

Drawing Number

E 610

Issue Date 02/02/21
 FRO