



Available from
SG-S Silent Gliss Spares
 Silent Gliss Systems
 www.sg-s.co.uk email: sales@sg-s.co.uk
 Tel: 0330 1272002 - 01395 232528

**LV / Dry Contact
 Control**

**D1- Direction
 (White / Blue)**

**D2- Direction
 (Orange/White)**

GN-Common

(Orange)

**ST- Stop
 (Blue)**

Motor ratings

SG4960 0.8 amps 24v DC 50/60
 Hz 28Rpm

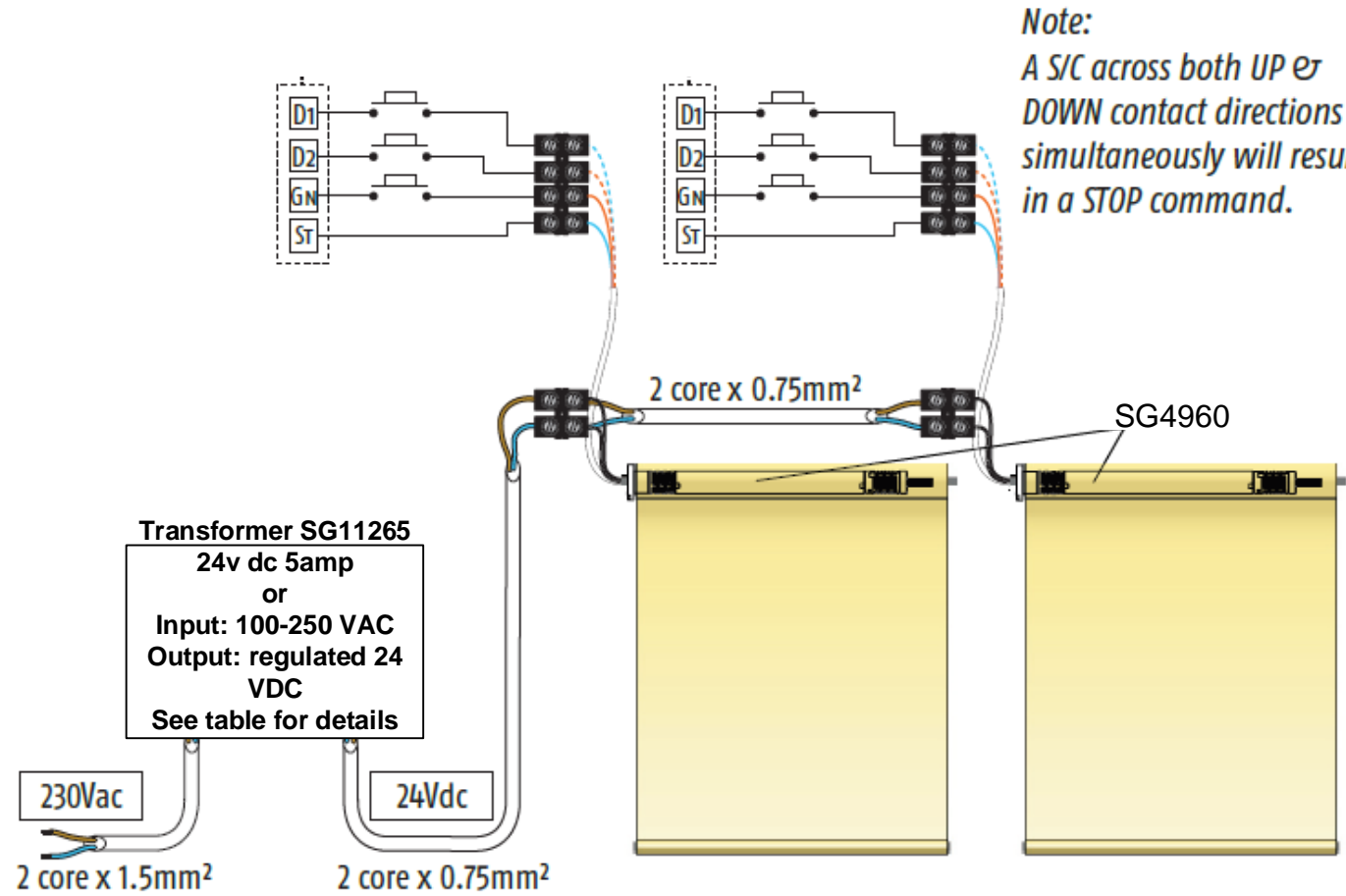
Note:

Nominal Load start current
 per motor 1.8a 300ms.
 Nominal load during set up
 per motor 3.2a 300ms

Silent Gliss Ltd
 Poorhole Lane.
 Broadstairs
 Kent CT10 2PT
 Tel 01843 863571
 Fax 01843 864503
 E-mail: info@silentgliss.co.uk
 Web site: www.silentgliss.co.uk

SG11263 2a Power supply
 SG11264 3.8a Power Supply
 SG11265 5a Power Supply
 SG11266 10a Power Supply

SG11263 = 1 Motor
 SG11264 = 2 Motor
 SG11265 = 2 Motor
 SG11266 = 5 Motors



**LV 1 SERIES TUBULAR MOTORS 24 DC
 Systems: SG4960**

Drawing Number

E 816

Issue Date 21/01/21
 fro