



SG11263 2a Power supply Din Rail Mounted  
 SG11264 3.8a Power Supply Din Rail Mounted  
 SG11265 5a Power Supply Din Rail Mounted  
 SG11266 10a Power Supply Din Rail Mounted

SG10942 4a Power Supply Table top option

SG11263 = 1 Motor  
 SG11264 = 2 Motor  
 SG11265 = 2 Motor  
 SG11266 = 5 Motors

SG10942 = 2 Motors

**Motor ratings**

SG4960 0.8 amps 24v DC 50/60 Hz 28Rpm

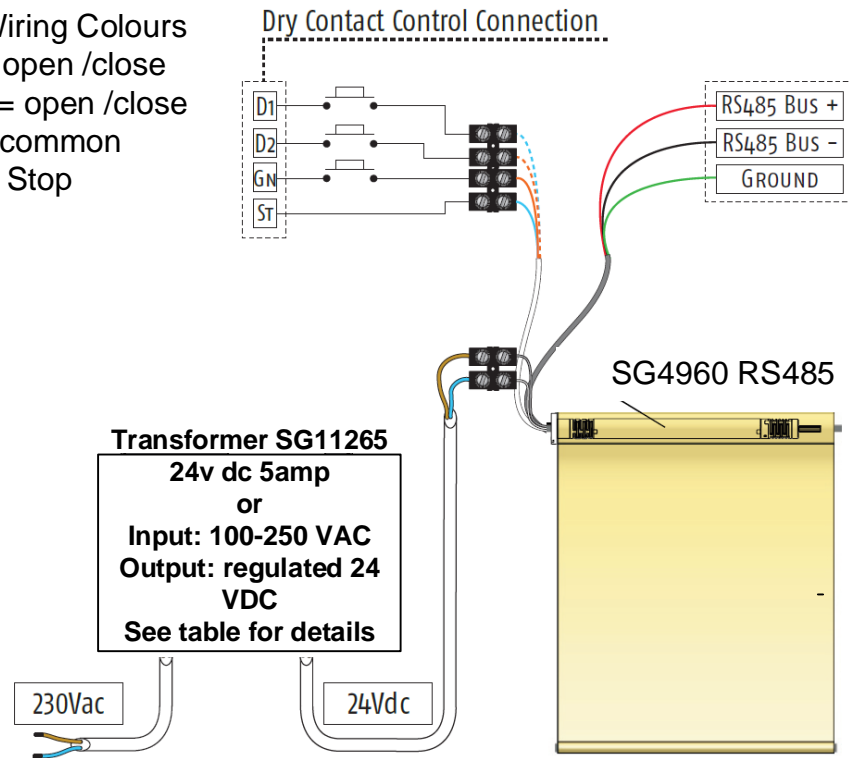
**Note:**

Nominal Load start current per motor 1.8a 300ms.  
 Nominal load during set up per motor 3.2a 300ms

**Silent Gliss Ltd**  
 Poorhole Lane.  
 Broadstairs  
 Kent CT10 2PT  
 Tel 01843 863571  
 Fax 01843 864503  
 E-mail: info@silentgliss.co.uk  
 Web site: www.silentgliss.co.uk

Available from  
**SG-S** Silent Gliss Spares  
 Silent Gliss Systems  
 www.sg-s.co.uk email: sales@sg-s.co.uk  
 Tel: 0330 1272002 - 01395 232528

**Dry Contact Wiring Colours**  
 White Blue= open /close  
 White Orange= open /close  
 Orange= common  
 Blue= Stop



**RS485 Wiring Colours**  
 Red = Bus +  
 Blue = Bus -  
 Green = Ground

**LV 3 SERIES RS485 TUBULAR MOTORS 24v DC**  
**Systems: SG4960**

**Drawing Number**

**E 818**

**Issue Date** 21/01/21  
 fro