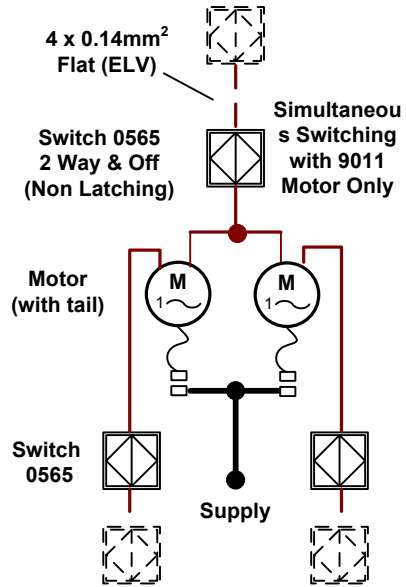




SG-S SILENTGLISS SPARES
SILENTGLISS SYSTEMS

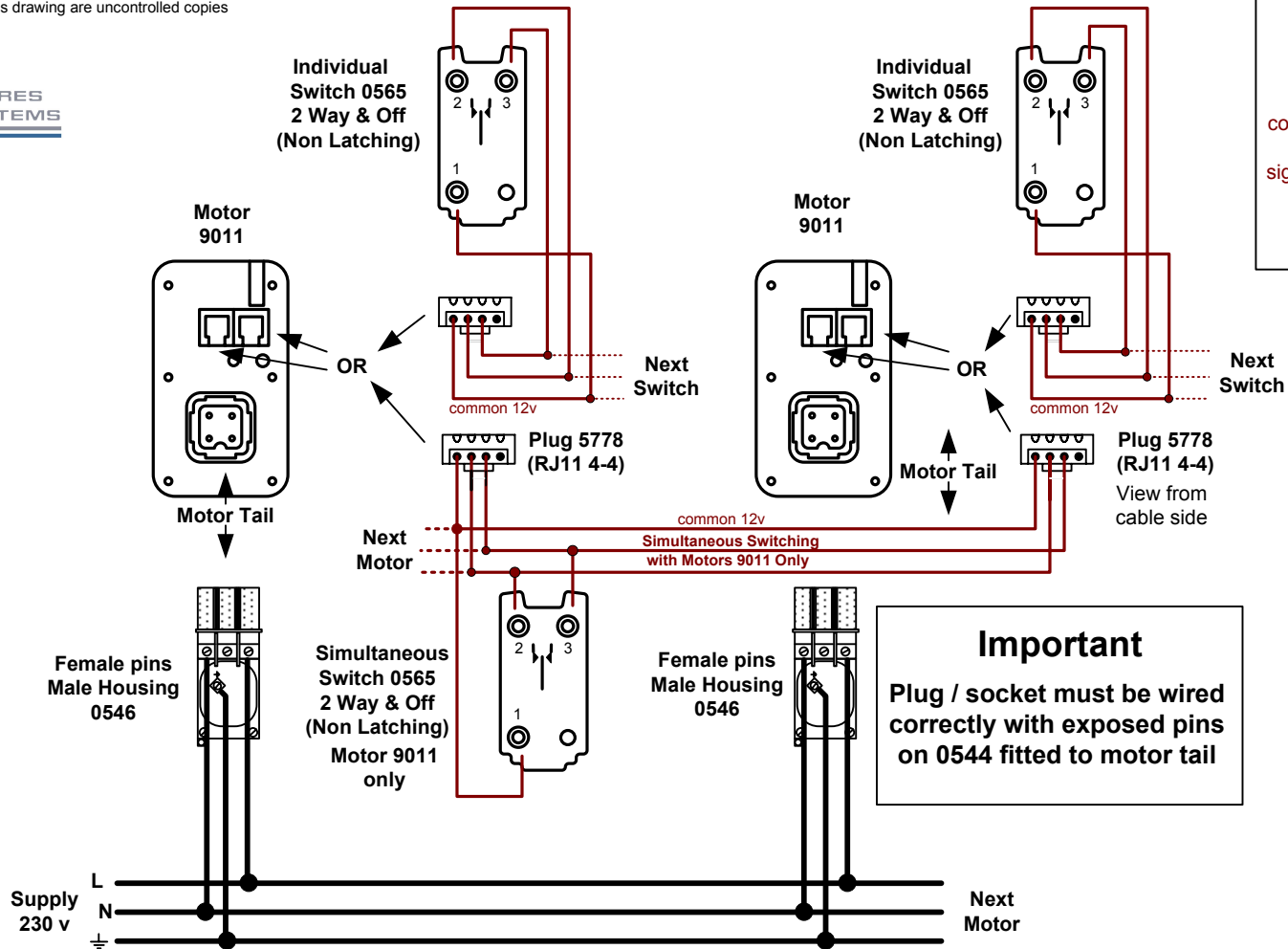
WWW.SG-S.CO.UK

All printed & electronically distributed copies of this drawing are uncontrolled copies



Motor Ratings

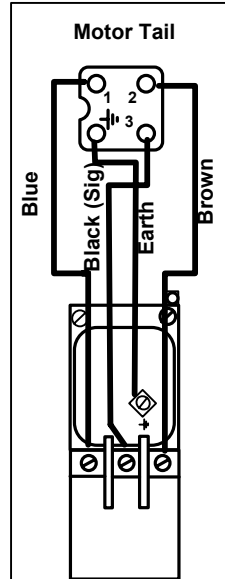
	230v	115v
9010	0.6A	1.2A
9011	0.6A	1.2A



Note

If used with controls other than a conventional momentary switch a minimum signal length of 300ms is required (500ms recommended)

Important
Plug / socket must be wired correctly with exposed pins on 0544 fitted to motor tail



Plug - Male Pins
Female Housing
0544
With clip 0543

Can also be used in conjunction with other methods of control. See Drawings:
E901 - Mains Switching - 1 or more motors, Simultaneously Only
E904 - Connection to LON systems
Note - Systems 2650 & 2950 require individual control to ensure alignment of louvers when in banks

Silent Gliss Ltd
Poorhole Lane.
Broadstairs
Kent CT10 2PT
Tel 01843 863571
Fax 01843 864503
E-mail: info@silentgliss.co.uk
Web site: www.silentgliss.co.uk

Individual and/or Simultaneous Switching From one or more switches via Low Voltage
Systems 2050 2500 2650 2950 5100 5140 5150

Motor Type A & B
Drawing Number

E 902

Issue Date 21-8-06