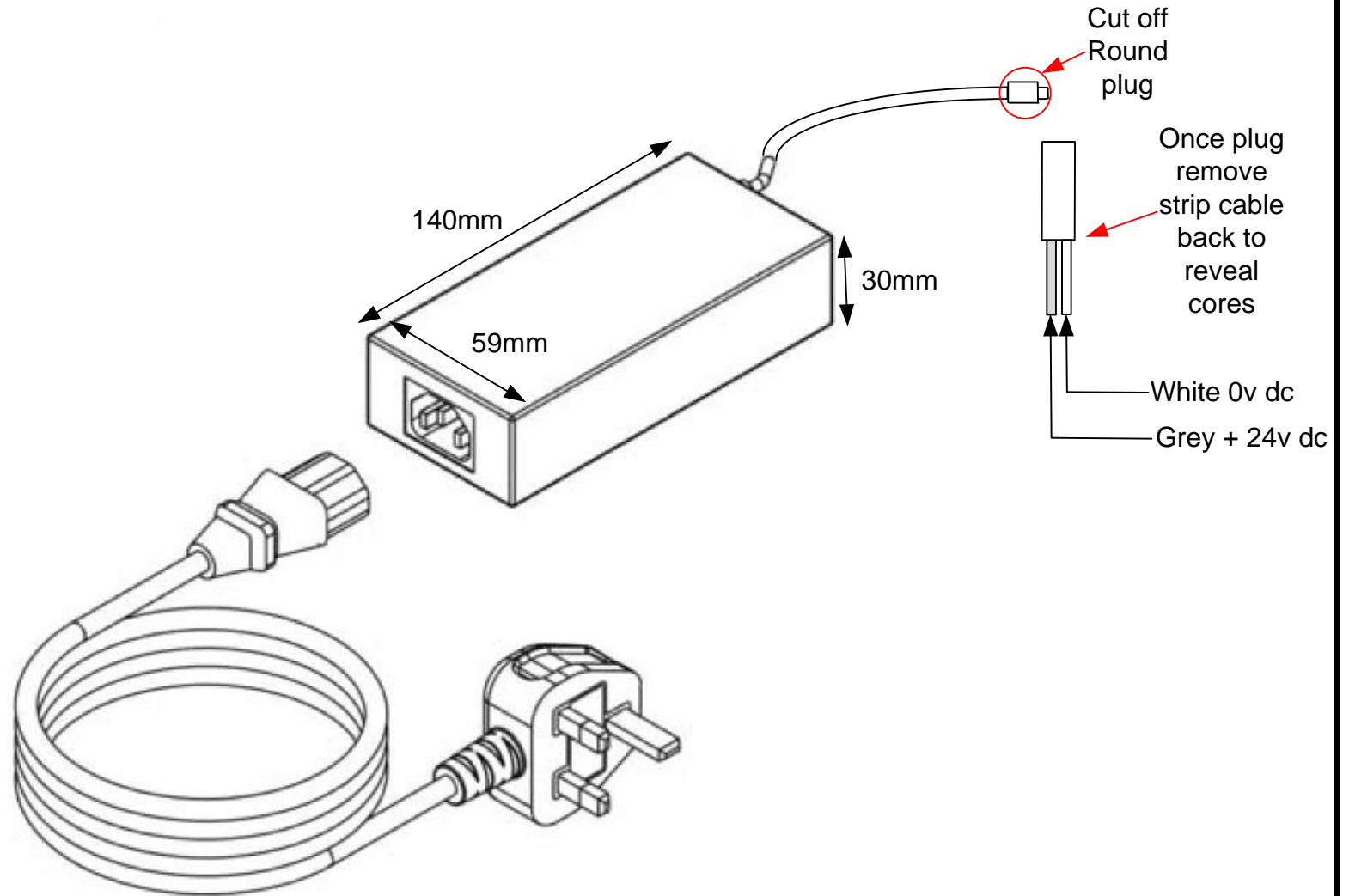




Available from  
**SG-S** Silent Gliss Spares  
Silent Gliss Systems  
www.sg-s.co.uk email: sales@sg-s.co.uk  
Tel: 0330 1272002 - 01395 232528

Input: 100 –  
240v AC  
50/ 60Hz  
2.5amps

Output: 24v DC  
4 amps



**Silent Gliss Ltd**  
Poorhole Lane.  
Broadstairs  
Kent CT10 2PT  
Tel 01843 863571  
Fax 01843 864503  
E-mail: info@silentgliss.co.uk  
Web site: www.silentgliss.co.uk

**Silent Gliss Transformer SG 11412**  
**Used with Series 40, 50, SG 5600, SG 7650**

**Drawing Number**  
**E911**  
**Issue Date 19/9/23 FRO**