

PRICE LIST



RECOMMENDED RETAIL PRICES
EXCLUDING VAT
JANUARY 2024

Supplied by

SG-S | Silent Gliss Spares
Silent Gliss Systems

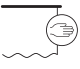
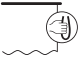

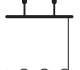

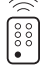

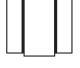

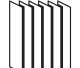
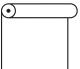


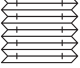
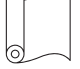



www.sg-s.co.uk email:sales@sg-s.co.uk tel:0330 1272002

 **SilentGliss**



This price list is intended to give comprehensive price information on all systems and on all components used with them. Its format follows that of the main Silent Gliss catalogue. Accessories usable with any given system should appear underneath that system.

Index

-  **Hand Operated Curtain Track Systems**
SG 1020, SG 1021, SG 1025, SG 1070, SG 1080, SG 1090, SG 1280, SG 6010, SG 6290, SG 6021, SG 6243, SG 6293, SG 6380, SG 6465, SG 6820, SG 6840, SG 6870, SG 6970
Pages: 2-9
-  **Cord Operated Curtain Track Systems**
SG 3000, SG 3840, SG 3870, SG 3900, SG 3970, SG 6370
Pages: 10-13
-  **Metropole**
SG 7600, SG 7610, SG 7620, SG 7630, SG 7640, SG 7650, SG 7605
Pages: 14-22
-  **Room divider / Cubicle Track Systems**
SG 6100, SG 6103, SG 6650
Pages: 23-24
-  **Electric Curtain Track Systems**
SG 5100B, SG 5100R, SG 5100T, SG 5100TC, SG 5600, SG 5800
Pages: 25-27
-  **Switches and Controls**
SG 0450, SG 9940, Battery Operated Controls, SMART.
Page: 28
-  **Roman Blind Systems**
SG 2120, SG 2305, SG 2345, SG 2350, Made-to-measure Roman Blinds
Pages: 29-31
-  **Panel Glide Systems**
SG 2700, SG 2730
Page: 32
-  **Skylight Shading Systems**
SG 2190, SG 2195, SG 8600, SG 8640
Page: 33-35
-  **Vertical Blind Systems**
SG 2810, SG 2900, SG 2950
Pages: 36-42
-  **Roller Blind Systems**
SG 4900, SG 4907, SG 4910, SG 4930, SG 4840, SG 4955, SG 4960, SG 4970, SG 4880, Application chart, Fascia pricing tables
Pages: 43-57
-  **Dim-Out Blind Systems**
SG 4710, SG 4730, SG 4740, SG 4760, SG 4770, SG 4780
Pages: 58-61
-  **Venetian Blind Systems**
SG 8110 (16mm), SG 8110PC (25mm), SG 8250, SG 8300, SG 8910, SG 8960
Pages: 62-71
-  **Pleated Blind Systems**
SG 8500
Pages: 72
-  **Digital Printing/Special Colours (profile/components)**
Page: 73
-  **Wave**
Page: 74
-  **Swiss Pleat Curtains**
Page: 75
-  **Parts**
Parts Index/Tools & Packaging/Application Chart for switches, remote control and multiple operation of motorised systems/Conditions of Sale Pages: 77-97

Prices

Prices are maximum recommended Retail Price, not including VAT. Trade discounts applicable vary with product group as detailed below. Each system and item is designated as belonging to one of the following groups:-

Product Group A 1020, 1021, 1025, 1070, 1080, 1090, 1280, 2120, 2305, 3000, 3600, 3840, 3870, 3900, 5100B, 5100R, 5100T, 5100TC, 6010, 6021, 6100, 7600, 7605, 7610, 7620, 7630, 7640, 7650*, 6290, 6243, 6293, 6380, 6465, 6650, 6820, 6840, 6870, 6970 made to measure Roman blinds.

Product Group C 0450, 2190, 2195, 2345, 2350, 2700, 2730, 2810, 2900, 2950, 3970, 4710, 4730, 4740, 4760, 4770, 4780, 4930, 4840, 4970, 4880, 4900, 4907, 4910, 4955, 4960, 5600, 5800, 6370, 7650*, 8110, 8250, 8300, 8500, 8600, 8640, 8910, 8960, 9940, SMART.

Silent Gliss Fabrics, Laminated blinds.

Product Group E Tools, Promotional material.

*5100 Version, Product Group A.

*5600 Version, Product Group C.



Hand Operated Curtain Track Systems

SG 1020

Supplied in white. Profile available in 6 metre lengths. Top fix as standard.

27cm std.

SG 1021

Supplied in satin silver or white. For special colours see below – special order.

SG 1025

Silver profile available in 5 and 6 metre lengths, white in 6 metre lengths only.

10cm std.

System Prices		Price Ctg.
Specific lengths charged at the nearest 25cm increment above.		A
cm	White £	
125	53.70	
150	58.05	
175	66.18	
200	70.55	
225	78.66	
250	83.01	
275	91.15	
300	95.51	
325	103.62	
350	107.97	
375	116.12	
400	120.47	
425	128.61	
450	132.93	
475	141.08	
500	145.43	
525	153.55	
550	157.90	
575	166.05	
600	170.40	
Prices above are for systems ready-assembled. Substantial savings can be made for self-assembly. Rail can be supplied in full lengths or cut-to-size with accessories separately.		

Optional Accessories	Price Ctg.
(additional charges may apply)	A
3062 Connecting bridge.	
3070 Twist eye endstop, each, 10.	
3071 Screw twist endstop, each, 10.	
3511 Glider, 100, outer, 25,000.	
3548 Retrofit glider, 25, 100, 1000.	
3570 Rotating glider, 10, 100.	
3582 Hook, Box, 100. Self service sachets, 25x25. Outer, 1,000.	
Outer, 20,000.	
3599 Hook, box 100, outer 25,000.	
10430-10434 Draw Rods, white, black or aluminium.	
11335 Endstop white, silver or black, each, 100.	
Colours	E
Other colours special order - see Page 73.	
Bending	
Angle bend £37.50 each.	
Standard radius 27cm.	
Semi-circle or gradual curve £48.00 each.	

Rail and Standard Accessories	Price Ctg.
A	
6822 Rail, white in 6m.	
6824 Endcover white, each, 10, 100.	
3016 Endstop, each, 100.	
3533 Glider Box, 100.	
Self-service sachets, 25 x 25, Euroslat sachet 25	
3534 Glider, in strip form, at 14 per m, outer 1000.	
11236 Clip, 100.	

System Prices	Price Ctg.		
Specific lengths charged at the nearest 25cm increment above.	A		
cm	Silver £	White £	
125	19.04	31.03	
150	22.89	37.27	
175	26.67	43.45	
200	30.46	49.60	
225	34.30	55.82	
250	38.12	61.96	
275	41.89	68.17	
300	45.74	74.42	
325	49.57	80.63	
350	53.34	86.80	
375	57.11	93.04	
400	60.99	99.22	
425	64.81	105.39	
450	68.57	111.55	
475	72.42	117.90	
500	76.20	124.02	
525	80.03	130.21	
550	83.89	136.41	
575	87.62	142.65	
600	91.45	148.82	
Above prices are for systems ready-assembled. Substantial savings can be made for self-assembly. Rail can be supplied in full lengths or cut-to-size with accessories separately.			

Rail and Standard Accessories	Price Ctg.
A	
1021p/1025p Rail, silver available in 5m and 6m or cut-to-size.	
White available in 6m or cut-to-size.	
3533 Glider at 14 per metre. Box, 100. Self-service sachets, 25 x 25. Outer, 25,000.	
3534 Glider, in strip form, at 14 per metre. Outer, 1,000 gliders, 6835A Screw, 12mm ¹ / ₂ " No. 4 round head at 300mm centres, 100.	
3016 Endstop, each, 100.	

Optional Accessories	Price Ctg.
(additional charges may apply)	A
3511 Glider, at 16 per metre, 100. Outer, 25,000 gliders.	
3532 Glider. 100. Outer, 5,000.	
3570 Rotating glider, 100.	
3582 Hook, Box, 100. Self-service sachets, 25 x 25. Outer, 1,000.	
Outer, 20,000.	
3020 Hook, Metal, 100.	
3599 Hook, Box, 100. Self-service sachets, 25 x 25.	
Outer, 25,000.	
3032 Spring stop, 10, 100.	
3070 Twist eye endstop, each, 10.	
3071 Screw twist endstop, each, 10.	
3562 Standard tape, 100 metres.	
3580 Side mounted glider/hook, 100. Outer, 5,000.	
3571 Hook, Box, 100. Self-service sachets, 25 x 25.	
Outer, 35,000.	
6835B Screw 24mm ¹ / ₂ " 100.	
3548 Retrofit glider, 25, 100, 1000.	
3068A Loop tape, 250 metres.	
10430 - 10434 Draw rods, white, black or aluminium	
Colours	E
Other colours special order - see Page 73.	

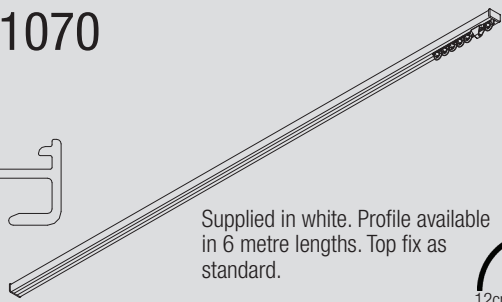
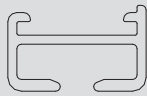
Tools	Price Ctg.
E	
80018 Slotting tool	
7809 Filler set at 200cm	
Bending	
Angle bend £37.50 each.	
Standard radius 10cm.	

All prices shown exclude VAT



Hand Operated Curtain Track Systems

SG 1070



Supplied in white. Profile available in 6 metre lengths. Top fix as standard.

12cm std.

SG 1080



Supplied in satin silver anodised finish, white, black, matt white, antique bronze, anodic grey and charcoal. Silver and white profile available in 5 and 6 metre lengths, other coloured profiles 6m only.

10cm std.

System Prices		Price Ctg.
Specific lengths charged at the nearest 25cm increment above.		A
White		
cm	£	
125	26.05	
150	29.97	
175	34.84	
200	38.76	
225	43.63	
250	47.55	
275	52.43	
300	56.33	
325	61.20	
350	65.12	
375	70.00	
400	73.91	
425	78.78	
450	82.67	
475	87.58	
500	91.49	
525	96.35	
550	100.27	
575	105.16	
600	109.05	

Prices above are for systems ready-assembled. Substantial savings can be made for self-assembly. Rail can be supplied in full lengths or cut-to-size with accessories separately.

Rail and Standard Accessories		Price Ctg.
1071 Rail, white in 6m Lengths.		A
1072 Endcover white, 10, 100.		
3016 Endstop, each, 100.		
3060 Clamp, each, 10, 100.		
3533 Glider Box, 100.		
Self-service sachets, 25 x 25, Euroslot sachet 25.		
3534 Glider, in strip form, at 14 per m, outer 1000.		

All prices shown exclude VAT

Optional Accessories		Price Ctg.
(additional charges may apply)		A
3070 Twist eye endstop, each, 10.		
3062 Connecting bridge, each.		
3511 Glider, 100, outer, 25,000.		
3548 Retrofit glider, 25, 100, 1000.		
3570 Rotating glider, 10, 100.		
3582 Hook, box 100, outer 1,000, outer 20,000.		
3599 Hook, box 100, outer 25,000.		
10430-10434 Draw Rods, white, black or aluminium.		
11335 Endstop white, silver or black, each, 100.		

Colours		Price Ctg.
Other colours special order - see Page 73.		E

Bending		Price Ctg.
Angle bend £37.50 each.		
Standard radius 12cm.		
Semi-circle or gradual curve £48.00 each.		

System Prices		Price Ctg.
Specific lengths charged at the nearest 25cm increment above.		A
W/S/BL		
cm	£	MW/AB/AG/CC
125*	28.20	47.15
150*	33.79	55.78
175*	39.41	64.48
200*	45.03	73.18
225*	50.67	81.83
250*	56.26	90.56
275*	61.94	99.11
300	67.60	107.79
325	73.17	116.53
350	78.87	125.15
375	84.44	133.86
400	90.04	142.49
425	95.70	151.12
450	101.35	159.87
475	106.93	168.52
500	112.59	177.14
525	118.18	185.83
550	123.83	194.54
575	129.46	203.14
600	135.05	211.88

Above prices are for systems ready-assembled. Substantial savings can be made for self-assembly. Rail can be supplied in full lengths or cut-to-size with accessories separately.

*1080W Packed in Acetate:
For sizes marked with an asterisk above we offer our 1080 in white only in clear acetate self-service display packaging. Prices are the same as indicated above. Min. order 12 lengths.

Rail and Standard Accessories		Price Ctg.
1080p Rail, silver, white, in 5m & 6m, matt white, antique bronze, anodic grey, black and charcoal in 6m.		A
3533 Glider Box, white, black 100.		
Self-service sachets, 25 x 25.		
Outer, 25,000. Euroslot sachet 25.		
3534 Glider, white, black in strip form, at 14/m.		
18R Screw 25mm/1". No. 8 round head, 100.		
3667 Endcover/stop, grey, white, black, matt white, anodic grey, antique bronze, charcoal. each 10, 100.		
Euroslot sachet 2 (white and grey only).		
3630 Universal nylon bracket, white, black at 600mm centres, each 10, 100. Euroslot sachet 2.		

Optional Accessories		Price Ctg.
(additional charges may apply)		A
3016 Endstop, each, 100.		
3511 Glider, at 16 per metre, 100.		
Outer, 25,000 gliders.		
3570 Rotating glider, 100.		
3020 Hook. Metal, 100.		
3638 Reinforced corner piece for pelmets, each, 10.		
3603 Top fix brackets, white, black each, 10, 100.		
3548 Retrofit glider, 25, 100, 1000.		
3630 Universal bracket, brown gold, each, 10.		
3571/3582/3599 Hooks - see under 1021/5.		
3070 Twist eye endstop, white, black each, 10.		

System Prices		Price Ctg.
Specific lengths charged at the nearest 25cm increment above.		A
1128R Screw 37mm/1 1/2". No. 8 round head, 100.		
3089 Glider hook, 20.		
6146 Nylon hook, 12.		
3660 Extra long universal bracket.		
3655 Long universal bracket.		
3562 Standard tape, 100 metres.		
3582 Curtain hooks, white, black.		
3620 Connecting bridge, each, 10.		
3602 Nylon wall support, white, each, 10.		
3606 Snap fastener each, 10.		
3618 Metal wall support, each, 10.		
3626 Return fixing bracket, each.		
3639 Hanger rod assembly, 2' system complete.		

Smart Fix Brackets in W/S/BL/MW/AG/AB/CC		Price Ctg.
11118 Smart Fix 60mm Bracket (11200 Set).		A
11119 Smart Fix 80mm Bracket (11201 Set).		
11120 Smart Fix 100mm Bracket (11202 Set).		
11121 Smart Fix 120mm Bracket (11203 Set).		
11122 Smart Fix 150mm Bracket (11204 Set).		
11123 Smart Fix 200mm Bracket (11205 Set).		

Square Smart Fix Brackets in W/S/BL/MW/AG/AB/CC		Price Ctg.
11139 Smart Fix 60mm Bracket (11210 Set).		A
11140 Smart Fix 80mm Bracket (11211 Set).		
11141 Smart Fix 100mm Bracket (11212 Set).		
11142 Smart Fix 120mm Bracket (11213 Set).		
11143 Smart Fix 150mm Bracket (11214 Set).		
11144 Smart Fix 200mm Bracket (11215 Set).		

Smart Fix Bracket Covers		Price Ctg.
11116 Smart Fix Bracket Cover.		A
11137 Square Smart Fix Bracket Cover		

Universal Smart Fix Extension Bracket		Price Ctg.
11154 Universal Smart Fix 120mm.		A
11155 Universal Smart Fix 150mm.		
11156 Universal Smart Fix 200mm.		

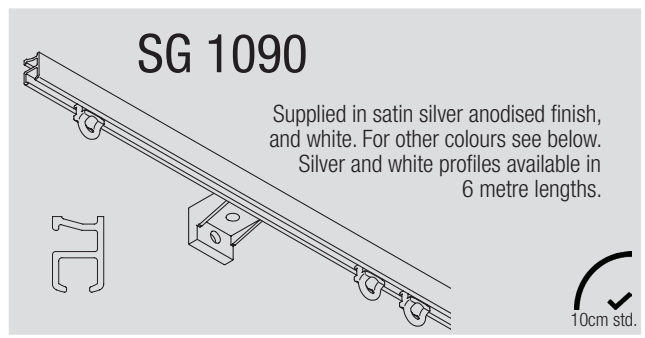
Tools, etc		Price Ctg.
80018 Slotting tool.		E
7103 Portable hand operated bending tool.		
7109 Portable electrically operated bending tool.		
7806 Filler set for 1080 at 200cm for 7103/9.		
0540 Bending tool for gradual curves.		

Bending		Price Ctg.
Angle bend £37.50 each.		E
Standard radius 10cm.		
Semi-circle or gradual curve £48.00 each.		
Arch £90.00 each. Standard radius 30cm.		

3600 Picture Hanging System		Price Ctg.
Use prices for 1080 rail only and 3606 supports, covers 3667 where necessary plus special components below.		A
3637A Cord ø 1.5mm nom.		
3600 Picture hanging system complete (including 4x3663, cord 3637A & 3634 delrin height adjuster)		
3657 Connecting bridge for picture hanging system.		
3605 Endcover.		

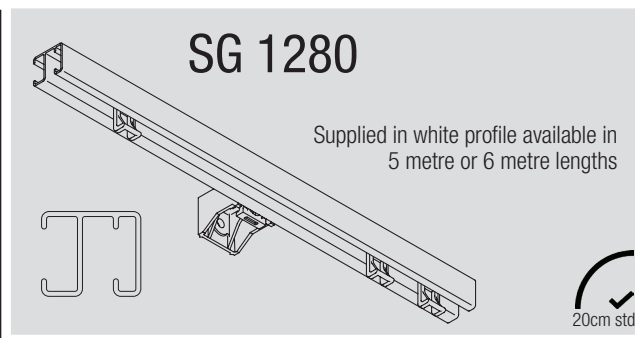


Hand Operated Curtain Track Systems



SG 1090

Supplied in satin silver anodised finish, and white. For other colours see below. Silver and white profiles available in 6 metre lengths.



SG 1280

Supplied in white profile available in 5 metre or 6 metre lengths



System Prices		Price Ctg.
Specific lengths charged at the nearest 25cm increment above.		A
cm	W/S £	
125	26.04	
150	31.28	
175	36.46	
200	41.71	
225	46.89	
250	52.06	
275	57.26	
300	62.49	
325	67.77	
350	73.00	
375	78.12	
400	83.35	
425	88.51	
450	93.77	
475	98.92	
500	104.20	
525	109.39	
550	114.56	
575	119.82	
600	124.96	
Above prices are for systems ready-assembled. Substantial savings can be made for self-assembly. Rail can be supplied in full lengths or cut-to-size with accessories separately.		

Rail and Standard Accessories		Price Ctg.
1090p Rail, silver and white in 6m or cut-to-size. 3533 Glider. Box, 100. Self-service sachets, 25 x 25. Outer, 25,000. Euroslot sachet 25. 3534 Glider, in strip form, at 14 per metre. Outer, 1,000 gliders. 3016 Endstop, each, 100. 3175 Universal Nylon Bracket, white, 10, 100.		A

Optional Accessories		Price Ctg.
(additional charges may apply) 18R Screw, 25mm/1", No. 8 round head, 100. 3511 Glider, at 16 per metre, 100. Outer, 25,000 gliders. 3570 Rotating glider, 100. 3582 Hook, 100. Self-service sachets, 25 x 25. Outer, 1,000. Outer, 20,000. 3020 Hook, Metal, 100. 3599 Hook. Box, 100. Self-service sachets, 25 x 25. Outer, 25,000. 3176 Top fix bracket, white, 10, 100. 3070 Twist eye endstop, each, 10. 1128R Screw 37mm/1½", No. 8 round head, 100. 3548 Retrofit glider, 25, 100, 1000. 3562 Standard tape, 100 metres. 3096 Connecting bridge, each, 10. 3113 5cm metal spacer, 10, 100. 3115 7cm metal spacer, 10, 100. 10430 - 10434 Draw rods, white, black or aluminium		A
Smart Fix Brackets in white, black or silver 11118 Smart Fix 60mm Bracket (11200 Set). 11119 Smart Fix 80mm Bracket (11201 Set). 11120 Smart Fix 100mm Bracket (11202 Set). 11121 Smart Fix 120mm Bracket (11203 Set). 11122 Smart Fix 150mm Bracket (11204 Set). 11123 Smart Fix 200mm Bracket (11205 Set).		
Square Smart Fix Brackets in white, black or silver 11139 Smart Fix 60mm Bracket (11210 Set). 11140 Smart Fix 80mm Bracket (11211 Set). 11141 Smart Fix 100mm Bracket (11212 Set). 11142 Smart Fix 120mm Bracket (11213 Set). 11143 Smart Fix 150mm Bracket (11214 Set). 11144 Smart Fix 200mm Bracket (11215 Set).		
Smart Fix Bracket Covers 11116 Smart Fix Bracket Cover. 11137 Square Smart Fix Bracket Cover.		
Colours	Other colours special order – see page 73.	E
Tools	Sleeving SL1090, SL1090W per reel. 80018 Slotting tool. 7809 Filler set at 200cm, 2 required	E
Bending	Angle bend £37.50 each. Standard radius 10cm. Semi-circle or gradual curve £48.00 each.	

System Prices		Price Ctg.
Specific lengths charged at the nearest 25cm increment above.		A
cm	White £	
125	42.86	
150	51.51	
175	59.97	
200	68.56	
225	77.12	
250	85.68	
275	94.28	
300	102.81	
325	111.42	
350	119.96	
375	128.54	
400	137.12	
425	145.61	
450	154.25	
475	162.85	
500	171.35	
525	179.92	
550	188.53	
575	197.11	
600	205.65	
Above prices are for systems ready-assembled. Substantial savings can be made for self-assembly. Rail can be supplied in full lengths or cut-to-size with accessories separately.		

Rail and Standard Accessories		Price Ctg.
1280p White rail, available in 5m or 6m lengths, in outers of 10 lengths only. 3630 Universal nylon bracket, white, at 600mm centres, 100. 3922 Roller glider in strip form at 10 per metre, outer of 1,000 gliders, outer of 6,000 gliders. 3985 Eyelet endcover/endstop in white, 100. 18R Screw 25mm/1", No. 8 round head, 100.		A

Optional Accessories		Price Ctg.
(additional charges may apply) 3620 Connecting bridge. 3975 Overlap for pulling by hand, each, 10. 3935A Combination overlap straight, complete with 'S' hook attachment 3949, each, 10. 3936A Combination overlap complete with 'S' hook attachment 3949, each, 10. 3947 Pair of magnetic gliders, 10. 3942 Intermediate stop, 10. 3603 Top fix bracket, white each, 10, 100. 3582 Hook, box 100, outer 1,000, outer 20,000. 3599 Hook, box 100, outer 25,000. 3562 Standard tape, 100m. 10430 - 10434 Draw rods, white, black or aluminium		A
Smart Fix Brackets in white, black or silver 11118 Smart Fix 60mm Bracket (11200 Set). 11119 Smart Fix 80mm Bracket (11201 Set). 11120 Smart Fix 100mm Bracket (11202 Set). 11121 Smart Fix 120mm Bracket (11203 Set). 11122 Smart Fix 150mm Bracket (11204 Set). 11123 Smart Fix 200mm Bracket (11205 Set).		
Square Smart Fix Brackets in white, black or silver 11139 Smart Fix 60mm Bracket (11210 Set). 11140 Smart Fix 80mm Bracket (11211 Set). 11141 Smart Fix 100mm Bracket (11212 Set). 11142 Smart Fix 120mm Bracket (11213 Set). 11143 Smart Fix 150mm Bracket (11214 Set). 11144 Smart Fix 200mm Bracket (11215 Set).		
Smart Fix Bracket Covers 11116 Smart Fix Bracket Cover. 11137 Square Smart Fix Bracket Cover.		
Universal Smart Fix Extension Bracket 11154 Universal Smart Fix 120mm. 11155 Universal Smart Fix 150mm. 11156 Universal Smart Fix 200mm.		
3151 Clearance spacer (for top boards).		E
Colours	Other Colours Special Order – Consult Silent Gliss for pricing.	E
Tools	7103 Portable hand operated bending tool. 7109 Portable electrically operated bending tool. 80018 Slotting tool. 7844 Filler set for 7103/7109, 70cm. 7844A Filler set for 0540, 200cm. 0540 Bending tool for gradual curves	E
Bending	Angle bend £37.50 each. Standard radius 20cm. Semi-circle or gradual curve £48.00 each.	

All prices shown exclude VAT



Hand Operated Curtain Track Systems

SG 6010

Supplied in white or black. Available with Wave[®]curtain heading system. Profile available in 6 metre lengths. Top fix as standard.

15cm std.

SG 6290

SG 6021

Both profiles supplied in white. Available in 6m lengths.

System Prices				Price Ctg.
Specific lengths charged at the nearest 25cm increment above.				A
cm	W/BL Standard Glider £	W/BL 60mm Wave £	W/BL 80mm Wave £	
125	55.11	79.95	72.41	
150	62.62	92.65	83.60	
175	73.46	108.31	97.75	
200	80.97	121.01	108.95	
225	91.82	136.67	123.10	
250	99.33	149.38	134.30	
275	110.17	165.04	148.45	
300	117.68	177.74	159.65	
325	128.53	193.40	173.80	
350	136.04	206.11	185.00	
375	146.88	221.77	199.15	
400	154.39	234.47	210.35	
425	165.24	250.13	224.50	
450	172.75	262.84	235.70	
475	183.59	278.50	249.85	
500	191.11	291.20	261.05	
525	201.95	306.86	275.20	
550	209.46	319.57	286.40	
575	220.30	335.23	300.55	
600	227.83	347.95	311.76	

Above prices are for systems ready-assembled. Substantial savings can be made for self-assembly. Rail can be supplied in full lengths or cut-to-size with accessories separately.

Enhanced Wave Options		Price Ctg.
Add the following to the systems prices above:		A
Option 1	2256 Adjustable Brake Single-stack £9.38; Pair-stack £18.75	
Option 2	2255 Adjustable Brake & 6366 Carrier Single-stack £19.05; Pair-stack £38.08	
Option 3	Enhanced Wave (80mm only) Single-stack £35.34; Pair-stack £70.71	

Rail and Standard Accessories	
6010p Rail , white, black available in 6 metre lengths.	
3825 Clamp .	
6018 Endcover , white, black.	
6065 Twist eye end stop , white, black 10, 100.	
Standard Gliders	
11301 2C Gliders in strip form, white, black at 14 per m, outer 1000.	
Wave Gliders	
11302 Wave 2C Glider-cord 80mm, white, black.	
11303 Wave 2C Glider-cord 60mm white, black.	

All prices shown exclude VAT

Optional Accessories		Price Ctg.
(additional charges may apply)		A
2255 Adjustable brake , white, black.		
2256 Adjustable brake , white, black.		
3020 Hook , Metal, 100.		
3571 Hook Box , 100.		
Self-service sachets, 25 x 25. Outer, 35,000.		
3582 Curtain hooks , white, black.		
3599 Hook box , white, black 100. Self-service sachets, 25 x 25. Outer, 25,000.		
3802 Connecting bridge .		
3826 Nylon bracket , white, black (top fix).		
3832 Clamp for top fixing .		
6053 Spring Stop , 10.		
6064 Endstop .		
6283 Roller-glider .		
6349 Wave[®]curtain tape , white, black.		
6364 Extension , white, black.		
6365 Hanger , white, black.		
6363 Iron-on hemming tape .		
6366 Draw rod carrier , white, black.		
10075 Lead curtain weight .		
10076 Fabric side weight .		
10430-10434 Draw rods , white, black or aluminium.		
11295 Endstop , Silver, White, Black each 10.		
1148C Screw .		

Colours	Price Ctg.
Other colours special order – consult Silent Gliss for pricing.	E

Tools	Price Ctg.
7103 Portable hand operated bending tool .	E
7109 Portable electrically operated bending tool .	
7885 Filler set 6010 at 200cm for 7103/7109 .	
7439 Blocks for 7103/7109 , 2 required.	
7404 Former for 7103/7109 , radius 15cm.	

Bending
Angle bend £58.50 each. Standard radius 15 cm. Semi-circle or gradual curve £79.00 each.

System Prices		Price Ctg.
Specific lengths charged at the nearest 25cm increment above.		A
6290 White		
cm	£	
125	25.59	
150	30.73	
175	35.78	
200	40.89	
225	46.05	
250	51.08	
275	56.25	
300	61.34	
325	66.50	
350	71.57	
375	76.73	
400	81.81	
425	86.94	
450	92.05	
475	97.17	
500	102.27	
525	107.38	
550	112.51	
575	117.63	
600	122.73	

System Prices		Price Ctg.
Specific lengths charged at the nearest 25cm increment above.		A
6021 White		
cm	£	
125	32.83	
150	39.40	
175	45.94	
200	52.48	
225	59.07	
250	65.61	
275	72.18	
300	78.71	
325	85.31	
350	91.91	
375	98.46	
400	105.00	
425	111.54	
450	118.12	
475	124.68	
500	131.25	
525	137.81	
550	144.34	
575	150.91	
600	157.52	

Above prices are for systems ready-assembled. Substantial savings can be made for self-assembly. Rail can be supplied in full lengths or cut-to-size with accessories separately.

Rail and Standard Accessories		Price Ctg.
6290p White rail, available in 6m lengths.		A
6021p White rail available in 6m lengths.		
6122 Endstop, 100.		
6148 Glider at 10 per m, 1,000.		
6149 Lead glider (blue) at 2 per length, 100.		

Optional Accessories	Price Ctg.
(Additional charges may apply)	A
3582 Hook, 100, 1,000, 20,000.	
3599 Hook, 100, 25,000.	
3562 Standard tape, 100m.	
10430 - 10434 Draw rods, white, black or aluminium	

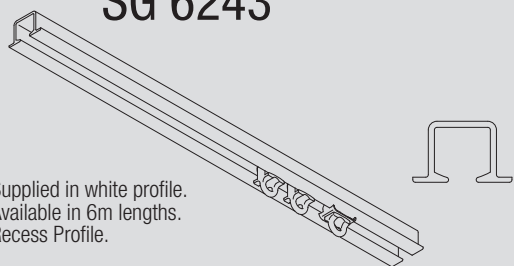
Colours	Price Ctg.
To special order - see Page 73.	E

Bending
Straight only.



Hand Operated Curtain Track Systems

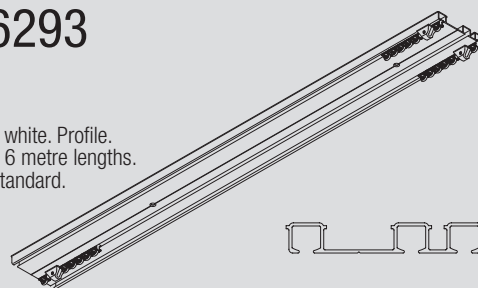
SG 6243



Supplied in white profile.
Available in 6m lengths.
Recess Profile.

25cm std.

SG 6293



Supplied in white. Profile.
available in 6 metre lengths.
Top fix as standard.

System Prices Price Ctg. A

Specific lengths charged at the nearest 25cm increment above.

cm	White Standard Glider		White Wave Glider	
	£	£	60mm	80mm
125	46.23	74.05	69.74	
150	52.06	85.46	80.27	
175	57.89	96.84	90.80	
200	63.72	108.24	101.32	
225	69.54	119.63	111.85	
250	75.37	131.02	122.38	
275	81.19	142.43	132.90	
300	87.02	153.80	143.42	
325	92.87	165.21	153.96	
350	98.69	176.60	164.49	
375	104.52	187.99	175.02	
400	110.31	199.38	185.55	
425	116.15	210.77	196.07	
450	121.96	222.16	206.60	
475	127.79	233.57	217.12	
500	133.64	244.94	227.66	
525	139.46	256.35	238.19	
550	145.27	267.72	248.71	
575	151.11	279.13	259.24	
600	156.93	290.52	269.78	

Prices above are for systems ready-assembled. Substantial savings can be made for self-assembly. Rail can be supplied in full lengths or cut-to-size with accessories separately.

Enhanced Wave Options Price Ctg. A

Add the following to the systems prices above:

- Option 1**
2256 Adjustable Brake
Single-stack £9.38; Pair-stack £18.75
- Option 2**
2255 Adjustable Brake & 6366 Carrier
Single-stack £19.05; Pair-stack £38.08
- Option 3**
Enhanced Wave (80mm only)
Single-stack £35.34; Pair-stack £70.71

Rail and Standard Accessories Price Ctg. A

- 10717 Screw, 19mm, 100.
6053 Spring Stop, 10.
6243p White rail available in 6m lengths only.
6065 Twist eye end stop, 10, 100.
7002 Rail protector.
Plus one of the following options:
Standard Gliders
11301 2C Gliders in strip form, at 14 per m, outer 1000.
Wave Gliders
11302 Wave 2C Glider-cord 80mm.
11303 Wave 2C Glider-cord 60mm.

Optional Accessories Price Ctg. A

- (additional charges may apply)
2255 Adjustable brake.
2256 Adjustable brake.
3020 Hook, Metal, 100.
3067 Connecting bridge.
3571 Hook, Box, 100. Self-service sachets, 25 x 25. Outer, 35,000.
3582 Curtain hooks (each).
3599 Hock, box, 100. Self-service sachets, 25 x 25. Outer, 25,000.
6094 Roller glider with hook, 10, 100.
6099 Roller glider-cord 80mm pitch. Outer of 50mm.
6283 Roller glider at 10 per metre. Outer 10, 100.
6349 Wave®curtain tape.
6364 Extension.
6365 Hanger.
6363 Iron-on hemming tape.
6366 Draw rod carrier.
10075 Lead curtain weight.
10076 Fabric side weight.
10430-10434 Draw rods, white, black or aluminium.
11295 Endstop, White, Silver or Black each 10.

Colours Price Ctg. E

To special order – see page 73.

Tools Price Ctg. E

- 7230 Slotting tool.

Bending

Angle bend £37.50 each.
Standard radius 25cm. Gradual curve £48.00 each.

System Prices Price Ctg. A

Specific lengths charged at the nearest 25cm increment above.

cm	White Standard Glider	White *Std/Roller
	£	£
125	74.54	98.66
150	88.29	115.61
175	102.04	135.27
200	115.79	152.22
225	129.54	171.88
250	143.29	188.83
275	157.04	208.49
300	170.79	225.43
325	184.54	245.09
350	198.29	262.04
375	212.04	281.70
400	225.79	298.65
425	239.53	318.31
450	253.28	335.25
475	267.03	354.91
500	280.78	371.86
525	294.53	391.52
550	308.28	408.46
575	322.03	428.13
600	335.79	445.07

Prices above are for systems ready-assembled. Substantial savings can be made for self-assembly. Rail can be supplied in full lengths or cut-to-size with accessories separately.

Rail and Standard Accessories Price Ctg. A

- 6065 Twist eye endstop, each, 10, 100.
6283 Roller glider at 10 per metre. Outer 10, 100.
6293p Rail, white in 6m lengths.
11301 2C Glider in strip form, at 14 per m, outer 1000.

*Standard 11301 gliders for voile and 6283 gliders for main curtains.

Optional Accessories Price Ctg. A

- (additional charges may apply)
3599 Hook, Box, 100. Self-service.
6053 Spring stop, 10.
6094 Roller glider with hook, 10, 100.
6098 Roller glider with eye.
6269 Connecting bridge.
10430-10434 Draw Rods, white, black or aluminium.

Colours Price Ctg. E

Other colours special order - see Page 73.

Bending

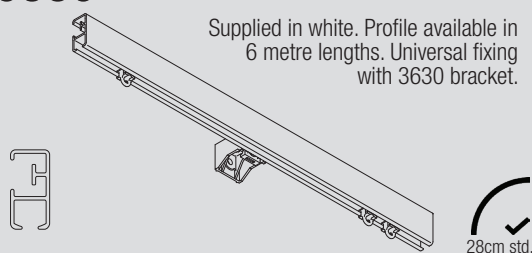
Straight only.

All prices shown exclude VAT



Hand Operated Curtain Track Systems

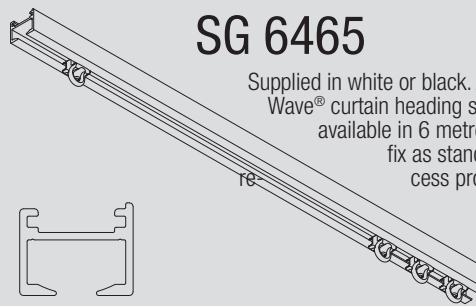
SG 6380



Supplied in white. Profile available in 6 metre lengths. Universal fixing with 3630 bracket.

28cm std.

SG 6465



Supplied in white or black. Available with Wave® curtain heading system. Profile available in 6 metre lengths. Top fix as standard. Optional ccess profile available.

12cm std.

System Prices		Price Ctg.
Specific lengths charged at the nearest 25cm increment above.		
White Standard Glider	White Roller Glider	A
£	£	
125	58.91	82.66
150	66.73	94.04
175	76.77	109.63
200	84.58	121.01
225	94.63	136.60
250	102.45	147.98
275	112.49	163.56
300	120.31	174.95
325	130.36	190.53
350	138.18	201.92
375	148.22	217.50
400	156.04	228.89
425	166.08	244.47
450	173.90	255.86
475	183.94	271.44
500	191.76	282.83
525	201.81	298.41
550	209.63	309.80
575	219.67	325.38
600	227.50	336.77

Prices above are for systems ready-assembled. Substantial savings can be made for self-assembly. Rail can be supplied in full lengths or cut-to-size with accessories separately.

Rail and Standard Accessories	Price Ctg.
3630 Universal nylon bracket, white, 100.	A
6065 Twist eye end stop.	
6283 Roller glider, 10, 100.	
6380p Profile, white in 6m.	
6381 Endcover, white.	
11301 2C Glider in strip form at 14 per m, outer 1000.	

Optional Accessories	Price Ctg.
(additional charges may apply)	A
2255 Adjustable Brake.	
2256 Adjustable Brake.	
3571 Hook.	
3582 Hook, Box, 100. Self service sachets, 25x25. Outer, 1,000. Outer, 20,000.	
3599 Hook, box 100, outer 25,000.	
3603 Top fix bracket, white each, 10, 100.	
3620 Connecting Bridge.	
3655 Long universal bracket.	
3660 Extra long universal bracket	
6053 Spring stop, 10.	
6064 Screw twist endstop each, 10.	
6086 Spring stop each, 10, 100.	
6146 Nylon hook, 100.	
6094 Roller glider with hook, 10, 100.	
6098 Roller glider with eye, 10, 100.	
6349 Wave® curtain tape.	
6363 Iron-on hemming tape.	
6364 Extension.	
6365 Hanger.	
6366 Draw rod carrier.	
10075 Lead curtain weight.	
10076 Fabric side weight.	
10430-10434 Draw Rods, white, black or aluminium	
11295 Endstop white, black or silver.	
11302 Wave 2C Glider-cord 80mm	
11303 Wave 2C Glider-cord 60mm	
Smart Fix Brackets in white, black or silver	
11118 Smart Fix 60mm Bracket (11200 Set).	
11119 Smart Fix 80mm Bracket (11201 Set).	
11120 Smart Fix 100mm Bracket (11202 Set).	
11121 Smart Fix 120mm Bracket (11203 Set).	
11122 Smart Fix 150mm Bracket (11204 Set).	
11123 Smart Fix 200mm Bracket (11205 Set).	
Square Smart Fix Brackets in white, black or silver	
11139 Smart Fix 60mm Bracket (11210 Set).	
11140 Smart Fix 80mm Bracket (11211 Set).	
11141 Smart Fix 100mm Bracket (11212 Set).	
11142 Smart Fix 120mm Bracket (11213 Set).	
11143 Smart Fix 150mm Bracket (11214 Set).	
11144 Smart Fix 200mm Bracket (11215 Set).	
Universal Smart Fix Extension Bracket	
11154 Universal Smart Fix 120mm.	
11155 Universal Smart Fix 150mm.	
11156 Universal Smart Fix 200mm.	

Colours	Price Ctg.
Other colours special order - see Page 73.	E
Bending	
Angle bend £37.50 each. Standard radius 28cm. Semi-circle or gradual curve £48.00 each.	

System Prices	Price Ctg.		
Specific lengths charged at the nearest 25cm increment above.	A		
W/BL Standard Glider	W/BL Wave 60mm	W/BL Wave 80mm	
cm	£	£	
125	52.10	77.70	69.92
150	60.27	91.21	81.89
175	69.77	105.67	94.80
200	77.94	119.19	106.76
225	87.43	133.65	119.67
250	95.60	147.17	131.64
275	105.10	161.63	144.54
300	113.27	175.15	156.50
325	122.76	189.61	169.41
350	130.93	203.13	181.38
375	140.43	217.58	194.28
400	148.60	231.10	206.24
425	158.09	245.56	219.15
450	166.26	259.08	231.12
475	175.76	273.54	244.03
500	183.93	287.06	255.99
525	193.42	301.52	268.89
550	201.60	315.04	280.86
575	211.09	329.50	293.77
600	219.27	343.03	305.75

Above prices are for systems ready-assembled. Substantial savings can be made for self-assembly. Rail can be supplied in full lengths or cut-to-size with accessories separately.

Enhanced Wave Options	Price Ctg.
Add the following to the systems prices above:	A
Option 1	
2256 Adjustable Brake	
Single-stack £9.38; Pair-stack £18.75	
Option 2	
2255 Adjustable Brake & 6366 Carrier	
Single-stack £19.05; Pair-stack £38.08	
Option 3	
Enhanced Wave (80mm only)	
Single-stack £35.34; Pair-stack £70.71	

Rail and Standard Accessories	Price Ctg.
6466 Rail, white, black available in 6 metre lengths.	A
3060 Clamp.	
6065 Twist eye end stop, white, black 10, 100.	
6471 Endcover, white, black.	
Standard Gliders	
11301 2C Gliders in strip form, white, black, at 14 per m, outer 1000.	
Wave Gliders	
11302 Wave 2C Glider-cord 80mm, white, black.	
11303 Wave 2C Glider-cord 60mm, white, black.	

Optional Accessories	Price Ctg.
(additional charges may apply)	A
2255 Adjustable brake, white, black.	
2256 Adjustable brake, white, black.	
3062 Connecting bridge.	
3582 Curtain hooks white, black.	
3599 Hook, white, black. box, 100. Self-service sachets, 25 x 25. Outer, 25,000.	
6064 Endstop.	
6349 Wave® curtain tape, white, black.	
6364 Extension, white, black.	
6365 Hanger, white, black.	
6363 Iron-on hemming tape.	
6366 Draw rod carrier, white, black.	
10075 Lead curtain weight.	
10076 Fabric side weight.	
10430-10434 Draw rods, white, black or aluminium.	
11231 Recess profile white and black.	
11237 Wedge, white and black.	
11239 Recess mask, white and black.	
1148C Screw.	

Recess Profile and Accessories White and Black	Price Ctg.
Charged at the nearest 25cm increment above.	A
Add to price Per Metre Per Length	
White £19.33 £4.67	

Colours	Price Ctg.
Other colours special order - consult Silent Gliss for pricing.	E

Tools	Price Ctg.
7244 Notching tool for recess profile 11231	E

Bending	Price Ctg.
Angle bend £37.50 each. Standard radius 12cm. Semi-circle or gradual curve £48.00 each.	

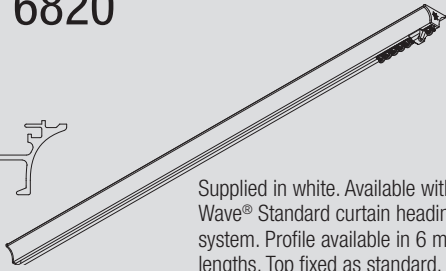
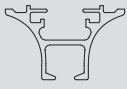
Note: If using recess profile, add an additional 20% to the relevant bending charge above. Please note standard radius for 6465 with recess profile is 27cm.

All prices shown exclude VAT

Hand Operated Curtain Track Systems



SG 6820

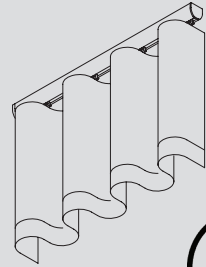


Supplied in white. Available with the Wave® Standard curtain heading system. Profile available in 6 metre lengths. Top fixed as standard.

27cm std.

SG 6840

Supplied in silver anodised, white, black, matt white, antique bronze, anodic grey and charcoal. Available with Wave® standard curtain headings systems. Top fix as standard.



20cm std.

System Prices				Price Ctg.
Specific lengths charged at the nearest 25cm increment above.				A
cm	White Standard Glider £	White Wave 60mm £	White Wave 80mm £	
125	74.36	99.19	97.40	
150	82.08	112.11	109.53	
175	93.96	128.80	125.67	
200	101.68	141.72	137.80	
225	113.56	158.41	153.94	
250	121.28	171.33	166.06	
275	133.16	188.03	182.20	
300	140.88	200.94	194.33	
325	152.76	217.64	210.47	
350	160.49	230.55	222.60	
375	172.36	247.25	238.74	
400	180.09	260.17	250.86	
425	191.96	276.86	267.00	
450	199.69	289.78	279.13	
475	211.57	306.47	295.27	
500	219.29	319.39	307.40	
525	231.17	336.08	323.54	
550	238.89	349.00	335.66	
575	250.77	365.70	351.80	
600	258.50	378.62	363.93	

Prices above are for systems ready-assembled. Substantial savings can be made for self-assembly. Rail can be supplied in full lengths or cut-to-size with accessories separately.

Enhanced Wave Options

Add the following to the systems prices above:

Option 1
2256 Adjustable Brake
Single-stack £9.38; Pair-stack £18.75

Option 2
2255 Adjustable Brake & 6366 Carrier
Single-stack £19.05; Pair-stack £38.08

Option 3
Enhanced Wave (80mm only)
Single-stack £35.34; Pair-stack £70.71

Rail and Standard Accessories

6065 Endstop each, 10, 100.
6821 Rail, white in 6m.
6823 Endcover in white each, 10, 100.
1148C Screw, 31mm/1½", No. 8 countersunk, 100
11236 Clip, 100

Standard Gliders

11301 2C Glider in strip form at 14 per m, outer 1000.

Wave Gliders

11302 Wave 2C Glider cord 80mm.
11303 Wave 2C Glider cord 60mm.

All prices shown exclude VAT

Optional Accessories		Price Ctg.
(additional charges may apply)		A
2255 Adjustable Brake.		
3582 Hook, Box, 100. Self service sachets, 25x25. Outer, 1,000. Outer, 20,000.		
3599 Hook, box 100, outer 25,000.		
3802 Connecting Bridge.		
6053 Spring stop, 10.		
6065 Twist eye endstop, each, 10.		
6086 Spring stop, each 10, 100.		
6094 Roller glider with hook, 10, 100.		
6098 Roller glider with eye, 10, 100.		
6146 Nylon hook only, 12, 100.		
6283 Roller glider, 10, 100.		
6349 Wave®curtain tape (per m).		
6363 Iron-on hemming tape.		
6364 Extension.		
6365 Hanger.		
6366 Draw rod carrier.		
10075 Lead curtain weight.		
10076 Fabric side weight.		
10430-10434 Draw Rods, white, black or aluminium.		
11295 Endstop white, black or silver.		

Colours

Other colours special order - see Page 73.

Tools

6827 Funnel Fixing Tool

Bending

Angle bend £58.50 each.
Standard radius 27cm.
Gradual curve £79.00 each.

System Prices						Price Ctg.
Using Standard Gliders						A
cm	W/S/BL £	MW/AG/AB/CC £	W/S £	MW/AG/AB/CC £		
125	65.72	94.14	80.23	107.94		
150	68.85	102.95	86.25	119.51		
175	79.29	119.08	99.73	138.44		
200	89.74	135.20	112.93	157.27		
225	100.18	151.33	126.33	176.12		
250	110.62	167.45	139.74	195.07		
275	121.06	180.10	153.12	210.42		
300	131.51	206.37	166.55	239.42		
325	141.95	212.94	180.38	248.80		
350	149.50	229.06	190.31	267.73		
375	156.76	242.00	200.35	283.33		
400	167.20	258.13	213.67	302.29		
425	177.65	274.25	227.03	321.22		
450	188.09	290.38	240.35	340.11		
475	195.35	303.32	250.58	355.76		
500	205.79	319.45	263.79	374.60		
525	216.23	335.57	277.14	393.54		
550	223.49	348.51	287.32	409.31		
575	233.93	364.64	300.73	428.09		
600	244.38	380.77	314.07	447.06		

Using Standard Wave Gliders					
cm	60mm glider cord W/S/BL £	80mm glider cord MW/AG/AB/CC £	60mm glider cord W/S/BL £	80mm glider cord MW/AG/AB/CC £	
125	85.00	113.42	82.79	111.19	
150	96.59	130.68	94.16	128.25	
175	111.65	151.43	108.43	148.20	
200	126.72	172.18	122.68	168.14	
225	141.78	192.93	137.54	188.69	
250	156.84	213.67	151.81	208.64	
275	168.43	230.94	163.06	225.70	
300	193.64	261.84	187.60	255.79	
325	199.15	273.03	192.31	266.19	
350	214.21	293.77	207.17	286.73	
375	226.09	311.34	218.24	303.48	
400	241.16	332.08	232.51	323.44	
425	256.22	352.83	247.37	343.98	
450	271.29	373.58	261.64	363.92	
475	283.17	391.14	273.31	381.28	
500	298.23	411.89	287.58	401.23	
525	313.30	432.64	304.28	421.17	
550	325.18	450.20	313.51	441.11	
575	340.24	470.95	327.78	458.48	
600	355.31	491.70	342.06	478.45	

Using Wave Roller Gliders		
cm	80mm glider cord W/S £	MW/AG/AB/CC £
125	146.44	174.15
150	165.70	198.96
175	192.42	231.13
200	218.86	263.21
225	245.50	295.30
250	272.15	327.48
275	295.14	356.08
300	311.83	398.32
325	348.93	420.94
350	375.58	453.11
375	398.97	481.96
400	425.53	514.15
425	452.14	546.32
450	478.70	578.46
475	502.16	607.35
500	528.62	639.43
525	555.21	671.61
550	578.63	700.62
575	605.28	732.64
600	631.87	764.85

Using Wave Roller Gliders		
cm	80mm glider cord W/S £	MW/AG/AB/CC £
125	146.44	174.15
150	165.70	198.96
175	192.42	231.13
200	218.86	263.21
225	245.50	295.30
250	272.15	327.48
275	295.14	356.08
300	311.83	398.32
325	348.93	420.94
350	375.58	453.11
375	398.97	481.96
400	425.53	514.15
425	452.14	546.32
450	478.70	578.46
475	502.16	607.35
500	528.62	639.43
525	555.21	671.61
550	578.63	700.62
575	605.28	732.64
600	631.87	764.85

Enhanced Wave Options

Add the following to the systems prices above:

Option 1
2256 Adjustable Brake
Single-stack £9.38; Pair-stack £18.75

Option 2
2255 Adjustable Brake & 6366 Carrier
Single-stack £19.05; Pair-stack £38.08

Option 3
Enhanced Wave (80mm only)
Single-stack £35.34; Pair-stack £70.71

Rail and Standard Accessories		Price Ctg.
3825 Clamp, at 300mm centres, 10, 100.		A
3841 Rail, silver, white, matt white, black, antique bronze, anodic grey, charcoal available in 6m or cut-to-size.		
3842 Endcover.		
6065 Twist eye endstop, white, black.		
1148C Screw, 31mm/1½", No. 8 countersunk, 100.		
Plus one of the following glider options:		
Standard Gliders		
11301 2C Gliders in strip form, W/BL at 14 per m.		
Roller Gliders		
6283 Roller gliders white at 10 per m.		
Wave Gliders		
11302 Wave 2C Glider-cord 80mm, W/BL.		
11303 Wave 2C Glider-cord 60mm, W/BL.		
6099 Roller glider-cord white 80mm pitch.		
1148C Screw, 31mm/1½", No. 8 countersunk, 100		

Optional Accessories

(additional charges may apply).
2255 Adjustable brake, white, black.
2256 Adjustable brake, white, black
3582 Hook, Box, 100. Self-service sachets, white, black 25 x 25. Outer, 20,000.
3599 Hook, Box, white, black 100. Self service sachets, 25x25. Outer, 25,000.
3802 Connecting bridge.
3826 Nylon bracket, (top fix), white, black.
3832 Clamp for top fixing.
3836 Nylon bracket, (face fix).
6053 Spring stop, 10.
6094 Roller glider with hook, 10, 100.
6098 Roller glider with eye, white, black.
6349 Wave®curtain tape, white, black.
6364 Extension, white, black.
6365 Hanger, white, black.
6363 Iron-on hemming tape.
6366 Draw rod carrier, white, black.
10075 Lead curtain weight.
10076 Fabric side weight.
10430 - 10434 Draw rods, white, black or aluminium

Smart Fix Brackets in W/S/BL/MW/AG/AB/CC
11118 Smart Fix 60mm Bracket (11200 Set).
11119 Smart Fix 80mm Bracket (11201 Set).
11120 Smart Fix 100mm Bracket (11202 Set).
11121 Smart Fix 120mm Bracket (11203 Set).
11122 Smart Fix 150mm Bracket (11204 Set).
11123 Smart Fix 200mm Bracket (11205 Set).

Square Smart Fix Brackets in W/S/BL/MW/AG/AB/CC
11139 Smart Fix 60mm Bracket (11210 Set).
11140 Smart Fix 80mm Bracket (11211 Set).
11141 Smart Fix 100mm Bracket (11212 Set).
11142 Smart Fix 120mm Bracket (11213 Set).
11143 Smart Fix 150mm Bracket (11214 Set).
11144 Smart Fix 200mm Bracket (11215 Set).

Smart Fix Brackets Covers
11116 Smart Fix Bracket Cover.
11137 Square Smart Fix Bracket Cover.

Colours

Other colours special order -see page 73.

Tools

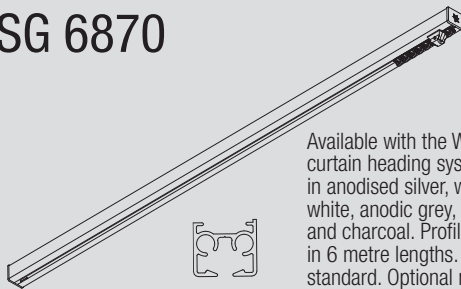
0538 Bending kit for use with 7103/7109.
7103 Portable hand operated bending tool.
7109 Portable electrically operated bending tool.
7802 Filler set 3840 at 200cm for 7103/9.

Bending

Angle bend £58.50 each.
Standard radius 20cm.
Semi-circle or gradual curve £79.00 each.

Hand Operated Curtain Track Systems

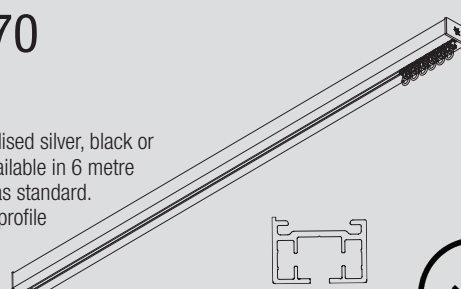
SG 6870



Available with the Wave® Standard curtain heading systems. Supplied in anodised silver, white, black, matt white, anodic grey, antique bronze and charcoal. Profile available in 6 metre lengths. Top fix standard. Optional recess profile available.

26cm std.

SG 6970



Supplied in anodised silver, black or white. Profile available in 6 metre lengths. Top fix as standard. Optional recess profile available.

25cm std.

	Price Ctg.
A	

System Prices

Specific lengths charged at the nearest 25cm increment above.

Using Standard Gliders

cm	W/S/BL £	MW/AG/AB/CC £
125	70.97	99.75
150	78.62	112.52
175	89.58	128.61
200	97.23	141.39
225	108.20	157.49
250	115.85	170.26
275	126.82	186.36
300	134.47	199.14
325	145.43	215.23
350	153.08	228.01
375	164.05	244.10
400	171.70	256.88
425	182.67	272.98
450	190.32	285.75
475	201.28	301.85
500	208.94	314.63
525	219.90	330.72
550	227.55	343.50
575	238.52	359.59
600	246.16	372.39

Using 60mm Standard Wave Gliders

cm	W/S/BL £	MW/AG/AB/CC £
125	95.81	128.36
150	108.65	146.87
175	124.43	168.41
200	137.27	186.93
225	153.06	208.47
250	165.90	226.99
275	181.69	248.54
300	194.53	267.05
325	210.31	288.60
350	223.16	307.11
375	238.94	328.66
400	251.78	347.17
425	267.57	368.72
450	280.41	387.23
475	296.19	408.78
500	309.04	427.29
525	324.82	448.84
550	337.66	467.35
575	353.45	488.90
600	366.29	507.43

Using 80mm Standard Wave Gliders

cm	W/S/BL £	MW/AG/AB/CC £
125	93.22	120.61
150	105.19	137.57
175	120.27	157.57
200	132.24	174.53
225	147.32	194.53
250	159.29	211.49
275	174.37	231.49
300	186.34	248.45
325	201.42	268.45
350	213.39	285.42
375	228.47	305.41
400	240.45	322.38
425	255.52	342.37
450	267.50	359.34
475	282.57	379.33
500	294.55	396.30
525	309.63	416.30
550	321.60	433.26
575	336.68	453.26
600	348.64	470.24

Prices above are for systems ready-assembled. Substantial savings can be made for self-assembly. Rail can be supplied in full lengths or cut-to-size with accessories separately.

Enhanced Wave Options

Add the following to the systems prices above:

Option 1

2256 Adjustable Brake
Single-stack £9.38; Pair-stack £18.75

Option 2

2255 Adjustable Brake & 6366 Carrier
Single-stack £19.05; Pair-stack £38.08

Option 3

Enhanced Wave (80mm only)
Single-stack £35.34; Pair-stack £70.71

Rail and Standard Accessories

3825 Clamp, 10, 100.
6065 Endstop, white, black.
11190 Profile, silver, white, black, matt white, anodic grey, antique bronze, charcoal in 6m.
1148C Screw, 31mm/1¼", No. 8 countersunk, 100
11233 Endcover silver, white, matt white, black, anodic grey, antique bronze, charcoal.
Standard Gliders
11301 2C Glider in strip form, white, black at 14 per m, outer 1000.
Wave Gliders
11302 Wave 2C Glider-cord 80mm, white, black.
11303 Wave 2C Glider-cord 60mm, white, black.

Optional Accessories

(additional charges may apply)
2255 Adjustable Brake, white, black.
2256 Adjustable brake, white, black.
3582 Hook, white, black, Box, 100.
Self service sachets, 25x25, Outer, 1,000 Outer, 20,000.
3599 Hook, box 100, outer 25,000.
3802 Connecting Bridge.
3826 Nylon bracket, white, black (top fix).
3832 Clamp for top fixing.
3836 Nylon bracket, (face fix).
6053 Spring stop, 10.
6064 Endstop.
6086 Spring stop, white, black each 10, 100.
6094 Roller glider with hook, 10, 100.
6098 Roller glider with eye, white, black, 10, 100.
6146 Nylon hook only, 12, 100.
6283 Roller glider, 10, 100.
6349 Wave® curtain tape, white, black.
6364 Extension, white, black.
6365 Hanger, white, black.
6363 Iron-on hemming tape.
6366 Draw rod carrier, white, black.
10075 Lead curtain weight.
10076 Fabric side weight.
10157 Wedge, white, black.
10430-10434 Draw Rods, white, black or aluminium.
11230 Recess profile, white and black 6m
11238 Recess Mask, white and black
11295 Endstop white, black or silver.

Smart Fix Brackets in W/S

BL/MW/AG/AB/CC
11118 Smart Fix 60mm Bracket (11200 Set).
11119 Smart Fix 80mm Bracket (11201 Set).
11120 Smart Fix 100mm Bracket (11202 Set).
11121 Smart Fix 120mm Bracket (11203 Set).
11122 Smart Fix 150mm Bracket (11204 Set).
11123 Smart Fix 200mm Bracket (11205 Set).
Square Smart Fix Brackets in W/S
BL/MW/AG/AB/CC
11139 Smart Fix 60mm Bracket (11210 Set).
11140 Smart Fix 80mm Bracket (11211 Set).
11141 Smart Fix 100mm Bracket (11212 Set).
11142 Smart Fix 120mm Bracket (11213 Set).
11143 Smart Fix 150mm Bracket (11214 Set).
11144 Smart Fix 200mm Bracket (11215 Set).
Universal Smart Fix Extension Bracket
11154 Universal Smart Fix 120mm.
11155 Universal Smart Fix 150mm.
11156 Universal Smart Fix 200mm.

Recess Profile and Accessories White or Black

Charged at the nearest 25cm increment above.
Add to price Per Metre Per Length
White £29.11 £10.38

Colours
Other colours special order - see Page 73.

Tools
7245 Notching tool for recess profile 11230

Bending

Angle bend £58.50 each.
Standard radius 26cm.
Semi-circle or gradual curve £79.00 each.
Note: If using recess profile, add an additional 20% to the relevant bending charge above.
Please Note: Minimum radius for 6870 with recess profile is 50cm.

	Price Ctg.
A	

System Prices

Specific lengths charged at the nearest 25cm increment above.

cm	Silver, Black or White		
	Std Roller Glider £	60mm Roller Wave £	80mm Roller Wave £
125	138.65	229.45	197.41
150	155.59	267.38	228.93
175	179.51	307.57	262.72
200	196.45	345.50	294.24
225	220.37	385.70	328.02
250	237.31	423.62	359.54
275	261.23	463.82	393.33
300	278.17	501.75	424.85
325	302.09	541.94	458.63
350	319.03	579.87	490.15
375	342.95	620.06	523.94
400	359.89	657.99	555.46
425	383.81	698.19	589.25
450	400.76	736.11	620.77
475	424.68	776.31	654.55
500	441.62	814.24	686.07
525	465.54	854.43	719.86
550	482.48	892.36	751.38
575	506.40	932.55	785.16
600	523.35	970.51	816.70

Prices above are for systems ready-assembled. Substantial savings can be made for self-assembly. Rail can be supplied in full lengths or cut-to-size with accessories separately.

Rail and Standard Accessories

3004 Clamps, 10, 100.
11235 Endcover silver, black and white.
11295 Endstop white and black.

10840 2C Roller glider, white, black at 10 per m, outer 10, 100.

10850 Rail, Silver, Black and White in 6m.

10852 Wave 2C Roller Cord 80mm, white, black.

10869 Wave 2C Roller Cord 60mm, white, black.

	Price Ctg.
A	

Optional Accessories

(additional charges may apply)

3041 Bracket.
3582 Curtain hook, white, black box, 100 Self service sachets, 25 x 25. Outer, 20,000.
6105 Hanger with plate
6107 V-Hanger with plate
6349 Wave® curtain tape, white, black.
6363 Iron-on hemming tape.
7002 Profile protector.
10075 Lead weight 50g/gr/m.
10076 Fabric weight.
10430 -10434 Draw Rods, white, black or aluminium.
Smart Fix Brackets in white, black or silver.
11118 Smart Fix 60mm Bracket (11200 Set).
11119 Smart Fix 80mm Bracket (11201 Set).
11120 Smart Fix 100mm Bracket (11202 Set).
11121 Smart Fix 120mm Bracket (11203 Set).
11122 Smart Fix 150mm Bracket (11204 Set).
11123 Smart Fix 200mm Bracket (11205 Set).
Square Smart Fix Brackets in white, black or silver.
11139 Smart Fix 60mm Bracket (11210 Set).
11140 Smart Fix 80mm Bracket (11211 Set).
11141 Smart Fix 100mm Bracket (11212 Set).
11142 Smart Fix 120mm Bracket (11213 Set).
11143 Smart Fix 150mm Bracket (11214 Set).
11144 Smart Fix 200mm Bracket (11215 Set).
Universal Smart Fix Extension Brackets
11154 Universal Smart Fix 120mm.
11155 Universal Smart Fix 150mm.
11156 Universal Smart Fix 200mm.

5118 Wedge for recess profile, W/BL
10831 Connecting Bridge.
10862 Recess profile, white or black, per meter.
10864 Recess mask, belt return, white, black.
10865 Mounting support plate.
11465 Springstop

Recess Profile and Accessories White or Black

Charged at the nearest 25cm increment above.
Add to price Per Metre Per Length
White £51.06 £9.65

Colours
Other colours special order - see Page 73.

Tools
7246 Notching tool for recess profile 10862

Bending
For each bend add the following to above system price:
Radius/cm
25-99 £176.50 each.
Over 99 £332.00 each.

Note: If using recess profile, add an additional 20% to the relevant bending charge above.
Please note: Standard radius for 6970 is 25cm. Minimum radius for 6970 with recess profile is 50cm.

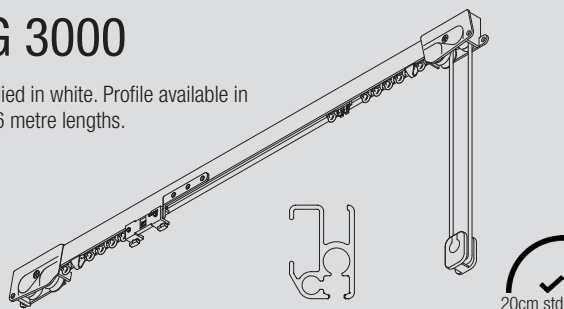
All prices shown exclude VAT



Cord Operated Curtain Track Systems

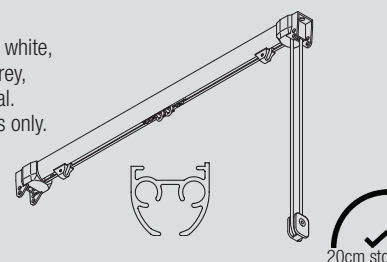
SG 3000

Supplied in white. Profile available in 5 or 6 metre lengths.



SG 3840

Supplied in anodised silver, white, black, matt white, anodic grey, antique bronze and charcoal. Available in 6 metre lengths only. Available with the Wave® Standard curtain heading systems. Top fixed as standard.



	Price Ctg.
System Prices	A
Specific lengths charged at the nearest 25cm increment above.	
cm	White £
125	109.82
150	117.44
175	125.08
200	132.77
225	140.32
250	147.97
275	155.61
300	163.24
325	170.82
350	178.44
375	186.13
400	193.76
425	201.38
450	208.95
475	216.65
500	224.24
525	231.86
550	239.52
575	247.11
600	254.75

Above prices are for systems ready - assembled. Substantial savings can be made for self-assembly. Rail can be supplied in full lengths or cut-to-size with accessories separately.

	Price Ctg.
Rail and Standard Accessories	A
18R Screw 25mm/1", No. 8 round head, 100.	
1082 Rail, white in 5m, 6m.	
1105 Spacer for cord pull end.	
1348R Screw round head No. 8 44mm/1 3/4" for spacer 1105, 100.	
3070 Twist eye endstop, each 10.	
3090 Cord 100, metres, 500 metres.	
3242 Overlap, each, 10, 100. Euroslot sachet 1.	
3288 Pair of endpieces, including Pilot runners 3030/3213, white. Outer, 25 sets, per set.	
3533 Glider. Box, 100. Self-service sachets, 25 x 25. Outer, 25,000. Euroslot sachet 25.	
3534 Glider, in strip form, 14 per metre. Outer, 1,000 gliders.	
3630 Universal bracket, white, each, 10, 100, Euroslot sachet 2.	

10731 Cord retainer **E**

	Price Ctg.
Optional Accessories	A
(Additional charges may apply)	
1128R Screw 36mm/1 1/2", No. 8 round head, 100.	
3020 Hook. Metal, 100.	
3032 Springstop, 10, 100.	
3045 Metal overlap arm, each, 10.	
3151 Clearance spacer (for top boards).	
3208 Intermediate pulley, white, grey, antique bronze, black, gold, each, 10.	
3231 End fixing bracket, each, 10.	
3289/3289W Set end pieces with return, including pilot runners, set.	
3511 Glider, at 16 per metre, 100. Outer, 25,000 gliders.	
3562 Standard tape, 100 metres.	
3570 Rotating glider, 100.	
3571 Hook. Box 100. Self-service sachets, 25 x 25. Outer 35,000. Euroslot sachet 25.	
3582 Hook. Box, 100 Self-service sachets, 25 x 25. Euroslot sachets 25. Outer, 1000. Outer, 20,000.	
3599 Hook. Box, 100. Self-service sachets, 25 x 25. Euroslot sachet 25. Outer, 25,000.	
3603 Top fix brackets, white at 600mm centres each, 100. Euroslot sachet 2.	
3620 Connecting bridge, each.	
3655 Long universal bracket.	
3660 Extra long universal bracket.	
Smart Fix Brackets in white, black or silver	
11118 Smart Fix 60mm Bracket (11200 Set).	
11119 Smart Fix 80mm Bracket (11201 Set).	
11120 Smart Fix 100mm Bracket (11202 Set).	
11121 Smart Fix 120mm Bracket (11203 Set).	
11122 Smart Fix 150mm Bracket (11204 Set).	
11123 Smart Fix 200mm Bracket (11205 Set).	
Square Smart Fix Brackets in white, black or silver	
11139 Smart Fix 60mm Bracket (11210 Set).	
11140 Smart Fix 80mm Bracket (11211 Set).	
11141 Smart Fix 100mm Bracket (11212 Set).	
11142 Smart Fix 120mm Bracket (11213 Set).	
11143 Smart Fix 150mm Bracket (11214 Set).	
11144 Smart Fix 200mm Bracket (11215 Set).	
Smart Fix Bracket Covers	
11116 Smart Fix Bracket Cover.	
11137 Square Smart Fix Bracket Cover.	

Colours **E**
Other colours special order – see page 73.

	Price Ctg.
Tools	E
SL3000 Reel, sleeving.	
SL3000W Reel, sleeving. 80018	
Slotting tool. 7103 Portable hand operated bending tool.	
7004 Cording needle.	
7109 Portable electrically operated bending tool.	
Instruction leaflet.	
7805 Filler set 3000 at 200cm for 7103/9.	
0540 Bending tool for gradual curves.	

Bending
Angle bend £43.00 each.
Standard radius 20cm.
Gradual curve £63.50 each.

	Price Ctg.
System Prices	A
Using Standard Gliders	
cm	W/S/BL £ MW/AG/AB/CC £
125	106.06 136.94
150	116.75 152.08
175	127.32 167.17
200	138.02 182.37
225	148.69 197.50
250	159.31 212.59
275	169.97 227.76
300	180.66 242.87
325	191.19 258.01
350	201.85 273.10
375	212.50 288.28
400	223.18 303.39
425	233.79 318.50
450	244.47 333.64
475	255.07 348.73
500	265.82 363.91
525	276.42 379.01
550	287.09 394.14
575	297.71 409.32
600	308.40 424.38
Using Roller Gliders	
cm	W/S £ MW/AG/AB/CC £
120.59	151.47
134.14	169.48
147.74	187.64
161.20	205.57
174.84	223.65
188.39	241.69
201.85	259.67
215.41	277.64
228.90	298.36
242.57	313.78
256.10	331.89
269.63	349.84
283.17	367.87
296.72	385.87
310.32	403.97
323.84	421.90
337.37	439.92
350.91	457.93
364.50	476.13
378.08	494.07

	Price Ctg.
Using Standard Wave Gliders	A
60mm glider-cord	
cm	W/S/BL £ MW/AG/AB/CC £
125	129.57 160.46
150	144.95 180.28
175	160.21 200.08
200	175.62 219.98
225	190.98 239.80
250	206.29 259.58
275	221.66 279.47
300	237.05 299.28
325	252.29 319.12
350	267.67 338.90
375	283.01 358.78
400	298.38 378.59
425	313.68 398.40
450	329.07 418.21
475	344.39 438.05
500	359.84 457.91
525	375.15 477.72
550	390.49 497.53
575	405.81 517.43
600	421.20 537.21
80mm glider-cord	
cm	W/S/BL £ MW/AG/AB/CC £
125.12	156.01
139.84	175.17
153.86	193.73
168.03	212.38
182.72	231.45
196.80	250.09
211.51	269.32
225.66	287.89
239.65	306.47
254.37	325.59
268.46	344.23
282.60	362.80
297.24	381.96
311.39	400.52
326.04	419.71
340.25	438.32
354.32	456.89
369.00	476.04
383.08	494.70
397.22	513.23

	Price Ctg.
Using Wave Roller Gliders	A
80mm glider cord	
cm	W/S £ MW/AG/AB/CC £
125	186.80 217.68
150	213.58 248.92
175	240.44 280.30
200	267.14 311.50
225	293.99 342.81
250	320.81 374.10
275	347.51 405.31
300	374.30 436.53
325	401.05 467.87
350	427.93 499.16
375	454.71 530.48
400	481.50 561.71
425	508.26 592.98
450	535.07 624.21
475	561.89 655.55
500	588.65 686.72
525	615.41 717.98
550	642.22 749.25
575	669.04 780.66
600	695.88 811.88

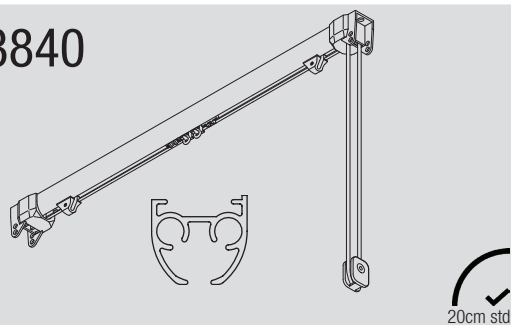
Track lengths between those specified will be charged at the rate for the nearest standard length above.
Above prices are for systems ready-assembled. Substantial savings can be made for self-assembly. Rail can be supplied in full lengths or cut-to-size with accessories separately.

All prices shown exclude VAT



Cord Operated Curtain Track Systems

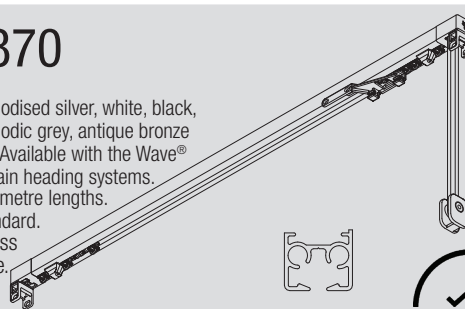
SG 3840



20cm std.

SG 3870

Supplied in anodised silver, white, black, matt white, anodic grey, antique bronze and charcoal. Available with the Wave® Standard curtain heading systems. Available in 6 metre lengths. Top fix as standard. Optional recess profile available.



26cm std.

	Price Ctg.
Rail and Standard Accessories	A
1148C Screw, 31mm/1 1/4", No. 8 countersunk, 100.	
3090 Cord, 100 metres. 500 metres.	
3091 Cord, 100 metres, black.	
3825 Clamp, 10, 100.	
3841 Rail, silver, white, black, matt white, anodic grey, antique bronze, charcoal available in 6m.	
3845 Endpiece set, white, black, grey, matt white, anodic grey, antique bronze, charcoal.	
6086 Spring stop, white, black each 10, 100.	
6288 Plastic overlap arm white, black, each, 10.	
Plus one of the following glider options:	
Standard Gliders	
11301 2C Gliders in strip form white, black, at 14 per m, outer 1000.	
Roller Gliders	
6283 Roller glider, white at 10 per metre. Outer 10, 100.	
Wave Gliders	
6099 Roller glider-cord, white 80mm pitch. Outer of 50mm.	
11302 2C Wave glider-cord 80mm, white, black	
11303 2C Wave glider-cord 60mm, white, black	E
10731 Cord retainer	A

Optional Accessories

(Additional charges may apply).
 3020 Hook. Metal, 100.
 3562 Standard tape, 100 metres.
 3571 Hook, Box 100. Self-service sachets, 25 x 25. Outer, 35,000.
 3582 Curtain hooks, white, black.
 3582 Hook. Box, 100. Self-service sachets, 25 x 25. Outer, 20,000.
 3599 Hook, white, black Box 100. Self-service sachets, 25 x 25. Outer, 25,000.
 3802 Connecting bridge, each.
 3826 Nylon bracket, white, black (top fix).
 3832 Clamp for top fixing.
 3833A Intermediate pulley, white, black each.
 3836 Nylon bracket, (face fix).
 3846 Endpieces set with return including pair of pilot runners and 2 x 3816 endpieces, white.
 6063 Overlap arm, each, 10.
 6094 Roller glider with hook, 10, 100.
 6098 Roller glider with eye, white, black.
 6099 Roller glider, white cord 80mm.
 6349 Wave® curtain tape, white, black.
 6363 Iron-on hemming tape.
 6364 Extension, white, black.
 6365 Hanger, white, black.

All prices shown exclude VAT

	Price Ctg.
Smart Fix Brackets in W/S/BL/MW/AG/AB/CC	A
11118 Smart Fix 60mm Bracket (11200 Set).	
11119 Smart Fix 80mm Bracket (11201 Set).	
11120 Smart Fix 100mm Bracket (11202 Set).	
11121 Smart Fix 120mm Bracket (11203 Set).	
11122 Smart Fix 150mm Bracket (11204 Set).	
11123 Smart Fix 200mm Bracket (11205 Set).	
Square Smart Fix Brackets in W/S/BL/MW/AG/AB/CC	
11139 Smart Fix 60mm Bracket (11210 Set).	
11140 Smart Fix 80mm Bracket (11211 Set).	
11141 Smart Fix 100mm Bracket (11212 Set).	
11142 Smart Fix 120mm Bracket (11213 Set).	
11143 Smart Fix 150mm Bracket (11214 Set).	
11144 Smart Fix 200mm Bracket (11215 Set).	
Smart Fix Bracket Covers	
11116 Smart Fix Bracket Cover.	
11137 Square Smart Fix Bracket Cover.	
Universal Smart Fix Extension Bracket	
11154 Universal Smart Fix 120mm.	
11155 Universal Smart Fix 150mm.	
11156 Universal Smart Fix 200mm.	
Colours	E
Other colours special order – see page 73.	
Tools	E
7103 Portable hand operated bending tool.	
7109 Portable electrically operated bending tool.	
7802 Filler set 3840 at 200cm for 7103/9.	

Enhanced Wave® System supplement per system £	
80mm Single-stack	22.42
80mm Pair-stack	44.87

Bending

Angle bend £58.50 each.
 Standard radius 20cm.
 Semi-circle or gradual curve £79.00 each.

	Price Ctg.	
System Prices	A	
Specific lengths charged at the nearest 25cm increment above.		
Using Standard Gliders		
	W/S/BL	MW/AG/AB/CC
cm	£	£
125	113.22	148.62
150	122.10	162.37
175	134.41	179.45
200	143.29	193.20
225	155.61	210.27
250	164.49	224.02
275	176.80	241.10
300	185.68	254.85
325	198.00	271.93
350	206.88	285.68
375	219.19	302.76
400	228.07	316.51
425	240.39	333.59
450	249.27	347.34
475	261.58	364.41
500	270.47	378.16
525	282.78	395.24
550	291.66	408.99
575	303.97	426.07
600	312.87	439.84
Using 60mm Standard Wave Gliders		
	W/S/BL	MW/AG/AB/CC
cm	£	£
125	138.81	173.46
150	153.04	192.40
175	170.31	214.29
200	184.54	233.23
225	201.82	255.13
250	216.05	274.07
275	233.33	295.97
300	247.56	314.91
325	264.84	336.81
350	279.07	355.75
375	296.35	377.65
400	310.58	396.59
425	327.86	418.48
450	342.09	437.42
475	359.37	459.32
500	373.60	478.26
525	390.87	500.16
550	405.11	519.10
575	422.38	541.00
600	436.62	559.94
Using 80mm Standard Wave Gliders		
	W/S/BL	MW/AG/AB/CC
cm	£	£
125	131.06	165.94
150	143.74	183.37
175	159.47	203.76
200	172.15	221.20
225	187.88	241.59
250	200.56	259.03
275	216.28	279.42
300	228.97	296.86
325	244.69	317.25
350	257.38	334.69
375	273.10	355.08
400	285.78	372.52
425	301.51	392.91
450	314.19	410.35
475	329.92	430.74
500	342.60	448.18
525	358.33	468.57
550	371.01	486.01
575	386.74	506.40
600	399.43	523.85
Prices above are for systems ready-assembled. Substantial savings can be made for self-assembly. Rail can be supplied in full lengths or cut-to-size with accessories separately.		
Enhanced Wave® System supplement per system £		
80mm Single-stack	22.42	
80mm Pair-stack	44.87	

Enhanced Wave® System supplement per system £	
80mm Single-stack	22.42
80mm Pair-stack	44.87

Rail & Standard Accessories

3090 Cord 100, metres, 500 metres, white.
 3091 Cord, loom, black.
 3825 Clamp at 30cm intervals, 10, 100.
 6086 Spring stop, white, black each 10, 100.
 6288 Plastic overlap arm, white, black each, 10.
 11190 Rail, silver, white, black, matt white, anodic grey, antique bronze, charcoal in 6m.
 11285 Guide set, silver, white, black matt white, anodic grey, antique bronze, charcoal.
 1148C Screw, 31mm/1 1/4", No. 8 countersunk, 100.

	Price Ctg.
Standard Gliders	
11301 2C Glider in strip form, white, black at 14 per m, outer 1000.	
Wave Gliders	
11302 Wave 2C Glider-cord 80mm, white, black.	
11303 Wave 2C Glider-cord 60mm, white, black.	
10731 Cord retainer, white, black.	E
Optional Accessories	A
(Additional charges may apply)	
3020 Hook. Metal, 100.	
3571 Hook. Box, 100. Self-service sachets, 25 x 25. Outer, 35,000.	
3582 Hook, white, black Box, 100. Self-service sachets, 25 x 25. Outer, 25,000.	
3599 Hook, white, black Box, 100. Self-service sachets, 25 x 25. Outer, 25,000.	
3802 Connecting bridge, each.	
3826 Nylon bracket, white, black (top fix).	
3832 Clamp for top fixing.	
3836 Nylon bracket, (face fix).	
6053 Spring Stop, 10.	
6063 Overlap arm, each, 10.	
6064 Endstop.	
6065 Twist eye endstop, white, black each, 10.	
6094 Roller glider with hook, 10, 100.	
6098 Roller glider with eye, white, black 10, 100.	
6283 Roller glider, white, 10, 100.	
6349 Wave® curtain tape, white, black.	
6363 Iron-on hemming tape.	
6364 Extension, white, black.	
6365 Hanger, white, black.	
10075 Lead weight 50 gr/m.	
10076 Fabric weight.	
10157 Wedge for recess profile, white, black.	
11230 Recess profile white or black in 6m.	
11238 Restop mask, white, black.	
11295 Endstop, white, silver or black each 10.	
Smart Fix Brackets in W/S/BL/MW/AG/AB/CC	
11118 Smart Fix 60mm Bracket (11200 Set).	
11119 Smart Fix 80mm Bracket (11201 Set).	
11120 Smart Fix 100mm Bracket (11202 Set).	
11121 Smart Fix 120mm Bracket (11203 Set).	
11122 Smart Fix 150mm Bracket (11204 Set).	
11123 Smart Fix 200mm Bracket (11205 Set).	
Square Smart Fix Brackets in W/S/BL/MW/AG/AB/CC	
11139 Smart Fix 60mm Bracket (11210 Set).	
11140 Smart Fix 80mm Bracket (11211 Set).	
11141 Smart Fix 100mm Bracket (11212 Set).	
11142 Smart Fix 120mm Bracket (11213 Set).	
11143 Smart Fix 150mm Bracket (11214 Set).	
11144 Smart Fix 200mm Bracket (11215 Set).	
Smart Fix Bracket Covers	
11116 Smart Fix Bracket Cover.	
11137 Square Smart Fix Bracket Cover.	
Universal Smart Fix Extension Bracket	
11154 Universal Smart Fix 120mm.	
11155 Universal Smart Fix 150mm.	
11156 Universal Smart Fix 200mm.	

Enhanced Wave® System supplement per system £	
80mm Single-stack	22.42
80mm Pair-stack	44.87

Recess Profile and Accessories White or Black

Charged at the nearest 25cm increment above.
 Add to price Per Metre Per Length
 White £29.11 £10.38

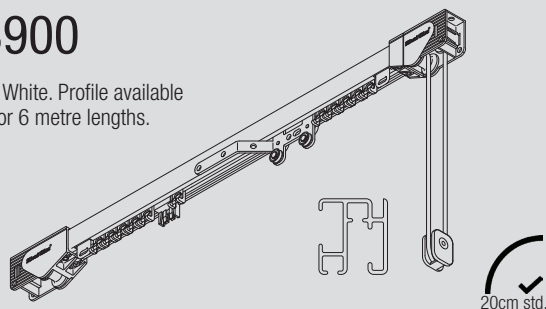
	Price Ctg.
Tools	E
7245 Notching tool for recess profile 11230	
Bending	
Angle bend £58.50 each.	
Standard radius 26cm.	
Semi-circle or gradual curve £79.00 each.	
Note: If using recess profile, add an additional 20% to the relevant bending charge above.	
Please note: Standard angle radius with recess profile is 50cm	



Cord Operated Curtain Track Systems

SG 3900

Supplied in White. Profile available in 5 metre or 6 metre lengths.



	Price Ctg.		Price Ctg.																																										
<p>System Prices Specific lengths charged at the nearest 25cm increment above.</p> <table border="1"> <thead> <tr> <th>cm</th> <th>White £</th> </tr> </thead> <tbody> <tr><td>125</td><td>110.49</td></tr> <tr><td>150</td><td>121.33</td></tr> <tr><td>175</td><td>132.27</td></tr> <tr><td>200</td><td>143.05</td></tr> <tr><td>225</td><td>154.02</td></tr> <tr><td>250</td><td>164.87</td></tr> <tr><td>275</td><td>175.78</td></tr> <tr><td>300</td><td>186.67</td></tr> <tr><td>325</td><td>197.51</td></tr> <tr><td>350</td><td>208.41</td></tr> <tr><td>375</td><td>219.31</td></tr> <tr><td>400</td><td>230.18</td></tr> <tr><td>425</td><td>241.00</td></tr> <tr><td>450</td><td>251.93</td></tr> <tr><td>475</td><td>262.82</td></tr> <tr><td>500</td><td>273.71</td></tr> <tr><td>525</td><td>284.54</td></tr> <tr><td>550</td><td>295.46</td></tr> <tr><td>575</td><td>306.32</td></tr> <tr><td>600</td><td>317.14</td></tr> </tbody> </table> <p>Prices above are for systems ready-assembled. Substantial savings can be made for self-assembly. Rail can be supplied in full lengths or cut-to-size with accessories separately.</p>	cm	White £	125	110.49	150	121.33	175	132.27	200	143.05	225	154.02	250	164.87	275	175.78	300	186.67	325	197.51	350	208.41	375	219.31	400	230.18	425	241.00	450	251.93	475	262.82	500	273.71	525	284.54	550	295.46	575	306.32	600	317.14	A	<p>Optional Accessories (additional charges may apply)</p> <p>3582 Hook, box 100, outer 1,000, outer 20,000. 3599 Hook, box 100, outer, 25,000. 3603 Top fix bracket, white, at 600mm centres, outer of 100. 3151 Clearance spacer (for top boards). 3620 Connecting bridge, each. 3655 Long universal bracket. 3660 Extra long universal bracket, each. 3914 Bracket for return profile, each. 3916 Pilot runner for multi stack system. 3929 Intermediate pulley, white, each 10. 3932 Spring stop, each 10. 3935 Straight overlap arm, each, 10. 3639 Hanger assembly complete, each.</p> <p>Smart Fix Brackets in white, black or silver 11118 Smart Fix 60mm Bracket (11200 Set). 11119 Smart Fix 80mm Bracket (11201 Set). 11120 Smart Fix 100mm Bracket (11202 Set). 11121 Smart Fix 120mm Bracket (11203 Set). 11122 Smart Fix 150mm Bracket (11204 Set). 11123 Smart Fix 200mm Bracket (11205 Set).</p> <p>Square Smart Fix Brackets in white, black or silver 11139 Smart Fix 60mm Bracket (11210 Set). 11140 Smart Fix 80mm Bracket (11211 Set). 11141 Smart Fix 100mm Bracket (11212 Set). 11142 Smart Fix 120mm Bracket (11213 Set). 11143 Smart Fix 150mm Bracket (11214 Set). 11144 Smart Fix 200mm Bracket (11215 Set).</p> <p>Smart Fix Bracket Covers 11116 Smart Fix Bracket Cover. 11137 Square Smart Fix Bracket Cover.</p> <p>Universal Smart Fix Extension Bracket 11154 Universal Smart Fix 120mm. 11155 Universal Smart Fix 150mm. 11156 Universal Smart Fix 200mm.</p>	A
cm	White £																																												
125	110.49																																												
150	121.33																																												
175	132.27																																												
200	143.05																																												
225	154.02																																												
250	164.87																																												
275	175.78																																												
300	186.67																																												
325	197.51																																												
350	208.41																																												
375	219.31																																												
400	230.18																																												
425	241.00																																												
450	251.93																																												
475	262.82																																												
500	273.71																																												
525	284.54																																												
550	295.46																																												
575	306.32																																												
600	317.14																																												
<p>Rail & Standard Accessories</p> <p>18R Screw 25mm/1" No. 8 round head, 100. 3982W White rail, available in 5m or 6m lengths, in outers of 10 lengths only. 3630 Universal nylon bracket, white, at 600mm centres, 100. 3090 Cord, 100 metres, 500 metres. 3915 Endpiece set, incl. pilot runners 3939/3917, white, outer of 20 or 50 only. 3922 Roller glider in strip form at 10 per metre, outer of 1,000 gliders, outer of 6,000 gliders. 3936 Overlap arm, outer of 20 only.</p>	A	<p>Tools</p> <p>7103 Portable hand operated bending tool. 7109 Portable electrically operated bending tool. 0545 Bending kit for 7103/7109 including filler set, blocks, arms and rings. 80018 Slotting tool. 7803 Filler set for 7103/7109, 200cm. 0540 Bending tool for gradual curves.</p>	E																																										
<p>10731 Cord retainer</p>	E	<p>Bending</p> <p>Angle bend £58.50 each. Standard radius 20cm. Gradual curve £79.00 each.</p>																																											

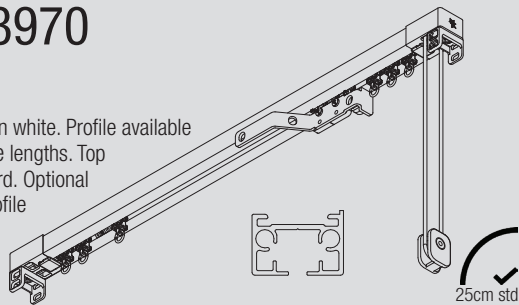
All prices shown exclude VAT



Cord Operated Curtain Track Systems

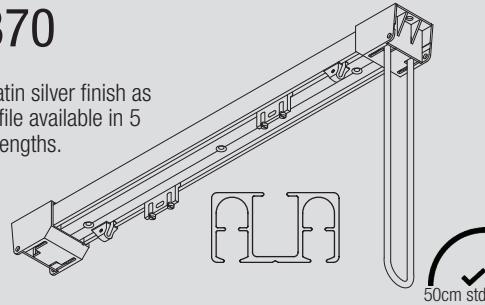
SG 3970

Supplied in white. Profile available in 6 metre lengths. Top as standard. Optional recess profile available.



SG 6370

Supplied in satin silver finish as standard. Profile available in 5 and 6 metre lengths.



	Price Ctg.
System Prices Specific lengths charged at the nearest 25cm increment above.	C
White	
Standard Roller Gliders	
Wave Roller Gliders 60mm	
Wave Roller Gliders 80mm	
cm	£
125	249.59
150	268.36
175	293.46
200	312.25
225	337.34
250	356.13
275	381.22
300	400.01
325	425.10
350	443.89
375	468.98
400	487.77
425	512.86
450	531.65
475	556.75
500	575.53
525	600.63
550	619.42
575	644.51
600	663.32
Prices above are for systems ready-assembled. Substantial savings can be made for self-assembly. Rail can be supplied in full lengths or cut-to-size with accessories separately.	
Rail & Standard Accessories	A
3004 Clamp, each, 10, 100. 3090 Cord 100, metres, 500 metres. 10854 Wave overlap support arm, white. 11295 Endstop, white.	
3971 Profile, white 6m. 10821 Overlap arm, bent, white. 10826 Overlap arm support set. 10840 2C Roller glider, at 10 per m, outer 10, 100. 10852 Wave roller glider cord (80mm pitch), 6.5mm channel. 10887 Wave overlap arm set. 10869 Wave roller glider cord (60mm pitch), 6.5mm channel. 10845 Wave master carrier, single stack 80mm. 10923 Pan head screw M4X12. 11314 Master carrier. 11315 Guide set, white.	C
10731 Cord retainer	E

	Price Ctg.
Optional Accessories (additional charges may apply) 3041 Bracket, each, 100. 3582 Curtain hook, box, 100. Self-service sachets, 25 x 25. Outer, 20,000. 6349 Wave® curtain tape. 6363 Iron-on hemming tape. 6365 Hanger. 7002 Profile protector. 10075 Lead weight 50 gr/m. 10076 Fabric weight. 10867 M4 x 16 screw.	A
Smart Fix Brackets in white, black or silver 11118 Smart Fix 60mm Bracket (11200 Set). 11119 Smart Fix 80mm Bracket (11201 Set). 11120 Smart Fix 100mm Bracket (11202 Set). 11121 Smart Fix 120mm Bracket (11203 Set). 11122 Smart Fix 150mm Bracket (11204 Set). 11123 Smart Fix 200mm Bracket (11205 Set).	
Square Smart Fix Brackets in white, black or silver 11139 Smart Fix 60mm Bracket (11210 Set). 11140 Smart Fix 80mm Bracket (11211 Set). 11141 Smart Fix 100mm Bracket (11212 Set). 11142 Smart Fix 120mm Bracket (11213 Set). 11143 Smart Fix 150mm Bracket (11214 Set). 11144 Smart Fix 200mm Bracket (11215 Set).	
Smart Fix Bracket Covers 11116 Smart Fix Bracket Cover. 11137 Square Smart Fix Bracket Cover.	
Universal Smart Fix Extension Bracket 11154 Universal Smart Fix 120mm. 11155 Universal Smart Fix 150mm. 11156 Universal Smart Fix 200mm.	
5118 Wedge for recess profile. 10820 Overlap arm, straight, white. 10831 Connecting bridge. 10862 Recess profile, white, per metre. 10864 Recess mask, belt return, white. 10865 Mounting support plate.	C
Recess Profile White and Accessories Charged at the nearest 25cm increment above. Add to price Per Metre Per Length White £51.06 £9.65	C
Tools 7246 Notching tool for recess profile 10862	E
Bending For each bend add the following to above system price: Radius/cm 25-99 £176.50 each. Standard radius 25cm Over 99 £332.00 each.	
Note: If using recess profile add an additional 20% to the relevant bending charge above. Please note: Standard radius for 3970 is 25cm. Standard minimum radius with recess profile is 50cm	

All prices shown exclude VAT

	Price Ctg.
System Prices Specific lengths charged at the nearest 25cm increment above. Satin Silver	C
cm	£
300	444.72
350	491.95
400	539.25
450	586.50
500	633.76
550	681.04
600	728.32
650	775.60
700	822.83
750	870.12
800	917.33
850	964.62
900	1011.89
950	1059.17
1000	1106.44
1050	1153.71
1100	1200.96
1150	1248.17
1200	1295.50
1250	1342.73
1300	1390.02
1350	1437.25
1400	1484.57
1450	1531.81
1500	1579.06
Connecting bridge included over 6m. Right hand pull as standard.	
Above prices are for systems ready-assembled. Substantial savings can be made for self-assembly. Rail can be supplied in full lengths or cut-to-size with accessories separately.	
Rail and Standard Accessories	C
6070 Cord. 6214 Adjustable pilot runner. 6227 Master pilot runner. 6371 Silver rail available in 5m and 6m or cut-to-size 6377 End piece set. 28C Screw countersunk, No. 8 2"/50mm.	
6086 Spring stop.	A
6098 Roller glider with eye. 10 per metre.	
10731 Cord retainer	E
Special Lengths charged at the nearest 50cm increment above.	

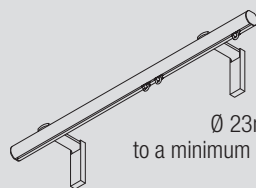
	Price Ctg.
Optional Accessories (additional charges may apply)	C
6079 Overlap arm. 6376 Connecting bridge.	
3599 Nylon hook. 6283 Roller glider. 6369 Insert (Face Fix).	A
Universal Smart Fix Extension Bracket in white or silver 11154 Universal Smart Fix 120mm. 11155 Universal Smart Fix 150mm. 11156 Universal Smart Fix 200mm.	
Colours Other colours special order - see Page 73.	E
Bending Standard right angle £150.50 each. Standard radius 50cm. Semi-circle or gradual curve £445.00 each.	



Metropole

SG 7600

A decorative curtain pole concept combining beautifully crafted design details with contemporary finishes on our pole systems 7600/7610/7620/7630/7640 and 7650.



Hand operated,
Ø 23mm, can be bent
to a minimum radius of 15cm.

Assembled systems below includes Smart Fix Set 11206 as standard.
All bent poles are supplied with Smart Fix Set 11209 as standard.
For additional bracket options please see page 22.



Metropole by Silent Gliss is based around our pole systems 7600/7610/7620 (hand drawn), 7630/7640 (cord drawn) and 7650 (electric).
Select desired pole combination from our pole catalogue and find price below.

SG 7600 (SG 1003) HAND DRAWN Ø 23mm – 'SILVER'/'BLACK'/'WHITE'/'MATT WHITE'/'ECRU

Price Category A

Size cm	125	150	175	200	225	250	275	300	325	350	375	400	425	450	475	500	525	550	575	600
Endcap Flush/Stud	103.55	121.56	139.61	157.68	175.67	193.75	211.80	229.84	247.86	265.94	284.00	301.98	320.09	338.09	356.15	374.17	392.21	410.28	428.35	446.39
*Ball End	198.27	216.28	234.32	252.40	270.40	288.46	306.52	324.56	342.57	360.67	378.71	396.69	414.81	432.81	450.87	468.89	486.93	505.01	523.07	541.10
*Spear Finial	167.12	185.14	203.18	221.24	239.25	257.32	275.37	293.42	311.43	329.52	347.56	365.55	383.67	401.67	419.72	437.75	455.79	473.85	491.92	509.96
*Groove Cylinder	163.30	181.31	199.36	217.43	235.43	253.50	271.55	289.59	307.61	325.70	343.75	361.74	379.84	397.84	415.90	433.92	451.97	470.04	488.10	506.14
*Design End Cap	136.25	154.26	172.30	190.38	207.25	226.44	244.50	262.54	280.55	298.64	316.69	334.67	352.79	370.79	388.78	406.87	424.91	442.98	461.05	479.08
*Clear Ball	231.76	249.77	267.82	285.88	303.89	321.94	340.01	358.05	376.06	394.16	412.19	430.18	448.30	466.29	484.38	502.39	520.44	538.49	556.55	574.58
*Ellipse	146.75	164.76	182.80	200.87	218.87	236.93	254.99	273.03	291.04	309.14	327.18	345.17	363.28	381.28	399.33	417.36	435.41	453.48	471.54	489.57
*Taper	133.57	151.58	169.63	187.69	205.69	223.77	241.82	259.87	277.88	295.96	314.01	332.00	350.12	368.12	386.17	404.19	422.24	440.30	458.38	476.41

SG 7600 (SG 1003) HAND DRAWN Ø 23mm – GUNMETAL/'CHARCOAL'/'CHROME EFFECT

Size cm	125	150	175	200	225	250	275	300	325	350	375	400	425	450	475	500	525	550	575	600
Endcap Flush/Stud	120.17	142.88	165.49	188.12	210.72	233.38	256.02	278.60	301.20	323.85	346.45	369.13	391.74	414.43	437.03	459.66	482.28	504.92	527.53	550.20
*Ball End	214.89	237.60	260.20	282.83	305.44	328.10	350.74	373.32	395.92	418.57	441.17	463.86	486.47	509.15	531.75	554.37	577.00	599.64	622.25	644.93
*Spear Finial	183.74	206.45	229.06	251.69	274.30	296.96	319.60	342.17	364.78	387.43	410.03	432.71	455.31	478.01	499.72	523.23	545.86	568.50	591.10	613.78
*Groove Cylinder	179.92	202.63	225.24	247.87	270.47	293.13	315.77	338.35	360.96	383.60	406.20	428.89	451.50	474.18	496.78	519.41	542.03	564.67	587.28	609.96
*Design End Cap	152.86	175.58	198.18	220.81	243.42	266.08	289.22	311.29	333.90	356.55	379.15	401.84	424.45	447.13	469.72	492.35	514.98	537.62	560.23	582.90
*Clear Ball	248.37	271.08	293.68	316.33	338.94	361.59	384.23	406.81	429.42	452.07	474.67	497.35	519.96	542.64	565.23	587.85	610.49	633.13	655.74	678.41
*Ellipse	163.36	186.07	208.67	218.14	240.75	276.58	299.22	321.78	344.39	367.05	389.65	412.33	434.94	457.62	480.21	502.84	525.47	548.12	570.73	593.40
*Taper	150.19	172.90	195.51	218.14	240.75	263.41	286.04	308.62	331.23	353.88	376.47	399.16	421.76	444.45	467.05	489.68	512.31	534.95	557.55	580.22

The above pricing includes standard glider (11301). For alternatives add the relevant price supplement below.

SG 7600 (SG 1003) GLIDER-SUPPLEMENTS

Size cm	125	150	175	200	225	250	275	300	325	350	375	400	425	450	475	500	525	550	575	600									
Wave™ Standard Supplement																													
60mm Glider-cord	24.56	29.45	34.37	39.29	44.19	49.11	54.01	58.93	63.83	68.75	73.67	78.57	83.49	88.38	93.30	98.20	103.12	108.04	112.94	117.86									
80mm Glider-cord	20.10	24.35	28.03	31.69	35.96	39.61	43.86	47.54	51.20	55.47	59.13	62.78	67.05	70.71	74.98	78.64	82.32	86.56	90.22	93.89									
Enhanced Wave Supplement (with added optional extra)																													
Please add the following to the above 80mm prices)																													
Option 1: 2256 Adjustable Brake					Option 2: 2255 Adjustable Brake & 6366 Carrier					Option 3: Enhanced Wave (80mm only)																			
Single Stack: £9.38					Pair Stack: 18.75					Single Stack: £19.05					Pair Stack: £38.08					Single Stack: £35.34					Pair Stack: £70.71				

Bending (Angle bend: £ 38.50 each. Standard radius 15cm. Semi-circle or gradual curve: £60.50 each. All bent poles are supplied with Smart Fix extension bracket set 11209.

* Finials not available in chrome effect or silver

** When a Metropole is ordered in black, the standard glider will also be supplied in black

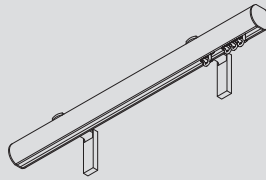
All prices shown exclude VAT



Metropole

SG 7610

A decorative curtain pole concept combining beautifully crafted design details with contemporary finishes on our pole systems 7600/7610/7620/7630/7640 and 7650.



Hand operated, Ø 30mm can be bent to a minimum radius of 30cm

Assembled systems below includes Smart Fix Set 11206 as standard.

All bent poles are supplied with Smart Fix Set 11209 as standard.

For additional bracket options please see page 22.



SG 7610 (SG 6130) HAND DRAWN Ø 30mm – 'SILVER'/'BLACK/WHITE/MATT WHITE/ECRU

Price Category A

Size (cm)	125	150	175	200	225	250	275	300	325	350	375	400	425	450	475	500	525	550	575	600
Endcaps Flush/Stud	130.22	148.90	167.47	186.07	204.73	223.36	241.89	260.52	279.05	297.73	306.82	334.88	353.48	372.08	390.69	409.28	427.84	446.46	465.05	483.68
*Ball End	233.01	251.69	270.26	288.87	307.53	326.14	344.68	363.30	381.83	400.52	409.61	437.66	456.26	474.88	493.48	512.06	530.60	549.25	567.84	586.48
*Spear Finial	230.49	249.14	267.76	286.34	305.00	323.61	342.14	360.78	379.32	398.00	407.09	435.14	453.73	472.35	490.97	509.55	528.08	546.75	565.34	583.95
*Groove Cylinder	203.29	221.95	240.52	259.13	277.78	296.42	314.95	333.57	352.10	370.79	379.88	407.93	426.53	445.14	463.75	482.33	500.89	519.52	538.12	556.73
*Design Endcap	175.32	194.00	212.58	231.20	249.84	268.47	287.00	305.61	324.15	342.86	351.93	379.97	398.57	417.18	435.79	454.38	472.93	491.56	510.17	528.79
*Clear Ball	266.28	284.96	303.55	322.13	340.80	359.41	377.94	396.58	415.12	433.82	442.90	470.93	489.54	508.13	526.76	545.34	563.88	582.53	601.14	619.74
*Ellipse	191.10	209.77	228.35	246.95	265.60	284.24	302.77	321.39	339.92	358.61	367.70	395.75	414.35	432.96	451.57	470.15	488.71	507.34	525.93	544.55
*Taper	164.34	183.01	201.58	220.18	238.84	257.47	276.00	294.63	313.16	331.84	340.94	368.99	387.59	406.19	424.81	443.39	461.95	480.57	499.18	517.79

SG 7610 (SG 6130) HAND DRAWN Ø 30mm – 'CHROME EFFECT (max 4m length)/GUNMETAL/BRONZE/ANTIQU BRONZE/SAND/TAUPE/ANODIC GREY/CHARCOAL/SLATE GREY/OCHRE

Size (cm)	125	150	175	200	225	250	275	300	325	350	375	400	425	450	475	500	525	550	575	600
Endcaps Flush/Stud	158.69	182.98	207.34	231.53	255.84	280.13	304.41	328.66	353.02	377.29	401.53	425.87	450.17	474.38	498.77	522.99	547.26	571.52	595.83	620.14
*Ball End	261.48	285.77	310.12	334.31	358.63	382.93	407.19	431.44	455.81	480.07	504.32	528.66	552.97	577.17	601.56	625.79	650.05	674.31	698.60	722.92
*Spear Finial	258.96	283.25	307.60	331.80	356.11	380.39	404.68	428.91	453.30	477.54	501.80	526.15	550.44	574.66	599.04	623.27	647.53	671.78	696.08	720.39
*Groove Cylinder	231.76	256.03	280.39	304.58	328.90	353.18	377.47	401.72	426.08	450.34	474.58	498.92	523.23	547.44	571.84	596.05	620.31	644.58	668.88	693.20
*Design Endcap	203.82	228.08	252.45	276.64	300.96	325.23	349.49	373.78	398.13	422.40	446.63	470.98	495.29	519.48	543.88	568.12	592.37	616.62	640.91	665.25
*Clear Ball	294.78	319.04	343.40	367.61	391.92	416.19	440.46	464.74	489.09	513.35	537.60	561.94	586.25	610.44	634.84	659.07	683.32	707.59	731.87	756.21
*Ellipse	219.58	243.85	268.21	292.40	316.72	341.00	365.29	389.54	413.90	438.16	462.40	486.74	511.05	535.26	559.66	583.87	608.13	632.40	656.70	681.02
*Taper	192.81	217.09	241.45	265.65	289.95	314.24	338.52	362.77	387.13	411.40	435.64	459.98	484.28	508.49	532.89	557.10	581.38	605.63	629.94	654.25

The above pricing includes standard glider (11301). For alternatives add the relevant price supplement below.

SG 7610 (SG 6130) GLIDER-SUPPLEMENTS

Size cm	125	150	175	200	225	250	275	300	325	350	375	400	425	450	475	500	525	550	575	600
SG 6283 Roller-Glider	23.52	28.23	32.93	37.63	42.34	47.04	51.75	56.45	61.16	65.86	70.56	75.27	79.97	84.68	89.38	94.09	98.79	103.49	108.19	112.91
Supplement																				
Wave™ Standard Supplement																				
60mm Glider-cord	24.56	29.45	34.37	39.29	44.19	49.11	54.01	58.93	63.83	68.75	73.67	78.56	83.48	88.38	93.30	98.20	103.12	108.04	112.94	117.86
80mm Glider-cord	20.10	24.35	28.03	31.69	35.96	39.61	43.86	47.54	51.20	55.47	59.12	62.78	67.05	70.71	74.98	78.63	82.31	86.56	90.23	93.89
Enhanced Wave Supplement (with added optional extras)																				
Please add the following to the above 80mm wave prices.																				
Option 1: 2256 Adjustable Brake																				
Single Stack: £9.38																				
Pair Stack: £ 18.75																				
Option 2: 2255 Adjustable Brake & 6366 Carrier																				
Single Stack: £19.05																				
Pair Stack: £38.08																				
Option 3: Enhanced Wave (80mm only)																				
Single Stack: £35.34																				
Pair Stack: £70.71																				
SG 6099 Wave Roller-Glider																				
Supplement (80mm)	89.73	107.67	125.63	143.57	161.51	179.47	197.41	215.36	233.30	251.50	269.20	287.14	305.08	323.04	340.98	358.93	376.87	394.81	412.76	430.71

Internal connecting bridge 6635 £24.62 each.

Bending 7610 .Angle bend £87.00 each. Standard radius 30cm. Semi circle or gradual curve £118.00 each. All bent poles are supplied with Smart Fix extension bracket set 11209.

* Finials are not available in chrome effect or silver

** When a Metropole is ordered in black, the standard glider will also be supplied in black

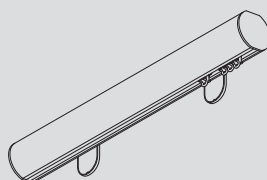
All prices shown exclude VAT



Metropole

SG 7620

A decorative curtain pole concept combining beautifully crafted design details with contemporary finishes on our pole systems 7600/7610/7620/7630/7640 and 7650.



Assembled systems below includes 20334 maxi adjustable bracket as standard, including bent poles.

Hand operated, Ø 50mm
can be bent to a minimum
radius of 50cm



SG 7620 (SG 6140) HAND DRAWN Ø 50mm – 'SILVER/'BLACK/WHITE/MATT WHITE/ECRU

Price Category A

Size (cm)	125	150	175	200	225	250	275	300	325	350	375	400	425	450	475	500	525	550	575	600
Endcap Flush/Stud	250.63	292.33	323.00	353.66	395.37	426.00	467.74	498.38	529.04	570.73	601.37	632.06	673.80	704.42	746.14	776.76	807.44	849.10	880.29	910.44
*Ball End	453.86	495.54	526.22	556.87	598.60	629.22	670.95	701.60	732.26	773.95	804.60	835.27	877.01	907.64	949.37	979.98	1010.66	1052.33	1083.52	1113.67
*Spear Finial	547.80	589.50	620.17	650.82	692.54	723.17	764.91	795.55	826.21	867.90	898.54	929.23	970.97	1001.58	1043.32	1073.93	1104.62	1146.27	1177.46	1207.62
*Groove Cylinder	407.91	449.61	480.29	510.93	552.65	583.29	625.02	655.66	686.32	728.01	758.65	789.34	831.08	861.70	903.43	934.04	964.73	1006.39	1037.57	1067.73
*Design Endcap	314.63	356.33	387.01	417.65	459.37	490.01	531.73	562.38	593.04	623.66	665.37	696.06	737.80	768.42	810.15	840.76	871.44	913.11	944.28	974.45
*Clear Ball	508.49	550.20	580.88	611.55	653.24	683.88	725.60	756.27	786.90	828.61	859.25	889.94	931.67	962.30	1004.02	1034.64	1065.32	1107.00	1138.18	1168.34
*Ellipse	491.44	533.14	563.81	594.46	636.18	666.81	708.55	739.19	769.85	811.54	842.18	872.87	914.61	945.23	986.96	1017.57	1048.26	1089.91	1121.10	1151.26
*Taper	412.57	454.27	484.95	515.61	557.32	587.95	629.68	660.33	690.98	732.67	763.32	794.00	835.75	866.37	908.09	938.70	969.39	1011.05	1042.23	1072.39

SG 7620 (SG 6140) HAND DRAWN Ø 50mm – TAUPE/ANTIQUÉ BRONZE/ANODIC GREY/SLATE GREY/BRONZE

Size (cm)	125	150	175	200	225	250	275	300	325	350	375	400	425	450	475	500	525	550	575	600
Endcap Flush/Stud	358.55	410.10	450.32	490.70	542.14	582.51	633.95	674.33	714.67	766.09	806.47	846.83	898.31	938.70	990.10	1030.49	1070.80	1122.30	1162.66	1202.99
Ball End	561.76	613.33	653.53	693.91	745.36	785.74	837.19	877.55	917.90	969.33	1009.67	1050.05	1101.52	1141.93	1193.32	1233.72	1274.02	1325.52	1365.87	1406.24
Spear Finial	655.71	707.27	747.49	787.87	839.31	879.67	931.13	971.50	1011.84	1063.26	1103.63	1144.01	1195.48	1235.88	1287.27	1327.66	1367.97	1419.47	1459.82	1500.17
Groove Cylinder	515.82	567.39	607.60	647.98	699.42	739.78	791.24	831.61	871.96	923.38	963.74	1004.12	1055.59	1095.99	1147.39	1187.77	1228.08	1279.58	1319.93	1360.28
Design Endcap	422.54	474.11	514.31	554.70	606.14	646.50	697.96	738.33	778.68	830.10	870.46	910.84	962.31	1002.70	1054.11	1094.49	1134.80	1186.30	1226.65	1267.00
Clear Ball	616.43	667.98	708.19	748.57	800.02	840.39	891.84	932.21	972.55	1023.97	1064.35	1104.72	1156.18	1196.57	1247.97	1288.37	1328.69	1380.18	1420.53	1460.88
Ellipse	599.36	650.91	691.13	731.51	782.95	823.32	874.77	915.14	955.48	995.83	1047.27	1087.64	1139.12	1179.52	1230.91	1271.30	1311.61	1363.11	1403.46	1443.80
Taper	520.49	572.05	612.27	652.64	704.08	744.46	795.90	836.28	876.62	928.04	968.42	1008.78	1060.25	1100.65	1152.05	1192.44	1232.75	1284.24	1324.61	1364.94

The above pricing includes standard glider (11301). For alternatives add the relevant price supplement below.

SG 7620 (SG 6140) GLIDER – SUPPLEMENTS

Size (cm)	125	150	175	200	225	250	275	300	325	350	375	400	425	450	475	500	525	550	575	600
SG 6283 Roller-Glider	23.52	28.23	32.93	37.63	42.34	47.04	51.75	56.45	61.16	65.86	70.56	75.27	79.97	84.68	89.38	94.09	98.79	103.49	108.19	112.91
Supplement																				
Wave®Standard Supplement																				
60mm Glider-cord	24.56	29.45	34.37	39.29	44.19	49.11	54.01	58.93	63.83	68.75	73.67	78.56	83.48	88.38	93.30	98.20	103.12	108.04	112.94	117.86
80mm Glider-cord	20.10	24.35	28.03	31.69	35.96	39.61	43.86	47.54	51.20	55.47	59.12	62.78	67.05	70.71	74.98	78.63	82.31	86.56	90.23	93.89
Enhanced Wave Supplement																				
Please add the following to the above 80mm wave prices.																				
Option 1: 2256 Adjustable Brake							Option 2: 2255 Adjustable Brake & 6366 Carrier							Option 3: Enhanced Wave (80mm only)						
Single Stack: £9.38			Pair Stack: £18.75				Single Stack: £19.05			Pair Stack: £38.08				Single Stack: £35.34			Pair Stack: £70.71			
SG 6099 Wave Roller-Glider (Not for use on bent 50mm poles)																				
Supplement (80mm)*	89.73	107.67	125.63	143.57	161.51	179.47	197.41	215.36	233.30	251.50	269.20	287.14	305.08	323.04	340.98	358.93	376.87	394.81	412.76	430.71

7620 Connecting Bridge, 11783 see parts list for prices.

Bending Angle bend: £96.00 each. Standard radius 50cm. Semi-circle or gradual curve: £128.50 each.

Bent tracks not compatible with 6099 Wave Roller Glider.

Ellipse finials on 50mm poles can only be face fixed.

* Finials are not available in silver

** When a Metropole is ordered in black, the standard glider will also be supplied in black

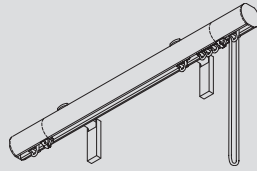
All prices shown exclude VAT



Metropole

SG 7630

A decorative curtain pole concept combining beautifully crafted design details with contemporary finishes on our pole systems 7600/7610/7620/7630/7640 and 7560.



Cord operated, Ø 30mm can be bent to a minimum radius of 30cm

Assembled systems below includes Smart Fix Set 11206 as standard.
All bent poles are supplied with Smart Fix Set 11209 as standard.
For additional bracket options please see page 22.

All bent poles are supplied with adjustable brackets.



SG 7630 (SG 6120) CORD DRAWN Ø 30mm – “BLACK/WHITE/MATT WHITE/ECRU

Price Category A

Size cm	125	150	175	200	225	250	275	300	325	350	375	400	425	450	475	500	525	550	575	600
Flush/Stud Endcap	227.67	251.61	275.73	299.75	323.73	347.83	371.81	395.56	419.91	443.91	467.95	491.98	516.02	540.03	564.08	588.10	612.12	636.14	660.19	684.21
Ball End	330.42	354.39	378.50	402.51	426.51	450.62	474.58	498.35	522.71	546.70	570.73	594.77	618.80	642.82	666.87	690.89	714.91	738.93	762.99	787.01
Spear Finial	327.91	351.88	375.99	400.00	423.99	448.08	472.07	495.84	520.17	544.17	568.19	592.22	616.28	640.29	664.33	688.35	712.36	736.38	760.45	784.47
Groove Cylinder	300.72	324.67	348.79	372.80	396.79	420.89	444.87	468.62	492.96	516.97	541.00	565.03	589.07	613.08	637.13	661.16	685.17	709.19	733.26	757.26
Design Endcap	272.77	296.70	320.82	344.83	368.85	392.94	416.92	440.66	465.00	489.01	513.06	537.09	561.12	585.13	609.16	633.20	657.22	681.25	705.29	729.32
Clear Ball	363.72	387.65	411.77	435.80	459.80	483.91	507.88	531.62	555.97	579.99	604.00	628.06	652.10	676.09	700.13	724.15	748.18	772.20	796.27	820.26
Ellipse	288.54	312.49	336.60	360.62	384.61	408.71	432.69	456.44	480.78	504.79	528.82	552.85	576.89	600.90	624.95	648.99	672.99	697.01	721.08	745.08
Taper	261.78	285.72	309.85	333.86	357.85	381.95	405.93	429.67	454.02	478.03	502.06	526.09	550.13	574.14	598.19	622.22	646.23	670.25	694.31	718.32

SG 7630 (SG 6120) CORD DRAWN Ø 30mm – OCHRE/GUNMETAL/BRONZE/ANTIQU BRONZE/SAND/TAUPE/ANODIC GREY/CHARCOAL/SLATE GREY/CHROME EFFECT (max 4m length)

Size cm	125	150	175	200	225	250	275	300	325	350	375	400	425	450	475	500	525	550	575	600
Flush/Stud Endcap	257.76	287.90	317.92	348.00	378.05	408.15	438.24	468.21	498.30	528.36	558.46	588.52	618.53	648.58	678.76	708.75	738.80	768.87	798.94	828.98
*Ball End	360.55	390.68	420.70	450.79	480.85	510.93	541.02	571.01	601.08	631.15	661.24	691.32	721.32	751.38	781.54	811.53	841.60	871.66	901.73	931.78
*Spear Finial	358.03	388.16	418.18	448.26	478.30	508.41	538.51	568.49	598.56	628.61	658.72	688.79	718.79	748.86	779.02	808.99	839.07	869.14	899.21	929.24
*Groove Cylinder	330.83	360.96	390.97	421.05	451.10	481.21	511.29	541.27	571.35	601.55	631.52	661.58	691.59	721.65	751.82	781.80	811.85	841.93	872.00	902.04
*Design Endcap	302.87	333.00	363.00	393.09	423.14	453.25	483.35	513.32	543.40	573.46	603.56	633.64	663.63	693.69	723.84	753.83	783.91	813.96	844.04	874.08
*Clear Ball	393.83	423.97	453.98	484.07	514.10	544.20	574.30	604.28	634.38	664.44	694.50	724.59	754.58	784.67	814.80	844.79	874.86	904.93	935.00	965.05
*Ellipse	318.65	348.77	378.79	408.87	438.92	469.03	499.11	529.09	559.17	589.24	619.34	649.40	679.41	709.47	739.64	769.62	799.67	829.75	859.82	889.86
*Taper	291.88	322.02	352.03	382.11	412.16	442.26	472.35	502.32	532.41	562.48	592.57	622.63	652.64	682.70	712.87	742.86	772.91	802.98	833.06	863.09

The above pricing includes standard glider (11301). For alternative glider options including wave and roller glider, please add the relevant price supplement below.

SG 7630 (SG 6120) GLIDER-SUPPLEMENTS

Size cm	125	150	175	200	225	250	275	300	325	350	375	400	425	450	475	500	525	550	575	600
SG 6283 Roller-Glider Supplement	23.52	28.23	32.93	37.63	42.34	47.04	51.75	56.45	61.16	65.86	70.56	75.27	79.97	84.68	89.38	94.09	98.79	103.49	108.19	112.91
Wave™ Standard Supplement																				
60mm Glider-cord	24.56	29.45	34.37	39.29	44.19	49.11	54.01	58.93	63.83	68.75	73.67	78.56	83.48	88.38	93.30	98.20	103.12	108.04	112.94	117.86
80mm Glider-cord	20.10	24.35	28.03	31.69	35.96	39.61	43.86	47.54	51.20	55.47	59.12	62.78	67.05	70.71	74.98	78.63	82.31	86.56	90.23	93.89
Enhanced Wave Supplement (Please add the following to the above 80mm wave prices)																				
Single Stack: £22.42 Pair Stack: £44.87																				
SG 6099 Wave Roller-Glider Supplement (80mm)	89.73	107.67	125.63	143.57	161.51	179.47	197.41	215.36	233.30	251.50	269.20	287.14	305.08	323.04	340.98	358.93	376.87	394.81	412.76	430.71

- Includes 1 x 10731 Cord retainer
- Bending Angle bend: £91.00 each. Standard radius 30cm. Semi-circle or gradual curve: £123.50 each. All bent poles are supplied with Smart Fix extension bracket set 11209.
- Intermediate pulley 11663, see parts list for prices.

* Finials are not available in chrome effect
** When a Metropole is ordered in black, the standard glider will also be supplied in black

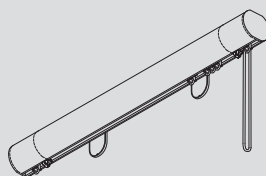
All prices shown exclude VAT



Metropole

SG 7640

A decorative curtain pole concept combining beautifully crafted design details with contemporary finishes on our pole systems 7600/7610/7620/7630/7640 and 7650.



Assembled systems below includes 20334 maxi adjustable bracket as standard, including bent poles.

Cord operated, Ø 50mm can be bent to a minimum radius of 60cm



SG 7640 (SG 6160) CORD DRAWN Ø 50mm – *BLACK/WHITE/MATT WHITE/ECRU

Price Category A

Size (cm)	125	150	175	200	225	250	275	300	325	350	375	400	425	450	475	500	525	550	575	600
Endcap Flush/Stud	383.82	428.53	462.14	495.74	540.43	574.07	618.73	652.37	685.97	730.66	764.27	797.89	842.62	876.20	920.90	954.53	988.15	1032.83	1066.43	1100.07
Ball End	587.04	631.75	665.34	698.95	743.65	777.29	821.96	855.60	889.18	933.88	967.48	1001.13	1045.83	1079.42	1124.11	1157.73	1191.36	1236.04	1269.66	1303.27
Spear Finial	680.98	725.70	759.31	792.91	837.60	871.24	915.90	949.53	983.14	1027.83	1061.44	1095.06	1139.78	1173.37	1218.06	1251.70	1285.32	1330.00	1363.61	1397.24
Groove Cylinder	541.09	585.81	619.42	653.02	697.71	731.35	776.02	809.64	843.25	887.94	921.55	955.18	999.89	1033.48	1078.17	1111.81	1145.44	1190.12	1223.72	1257.35
Design Endcap	447.81	492.53	526.14	559.74	604.43	638.07	682.74	716.36	749.97	794.65	828.27	861.89	906.61	940.20	984.89	1018.53	1052.15	1096.84	1130.43	1164.07
Clear Ball	641.71	686.39	720.02	753.62	798.31	831.96	876.61	910.25	943.85	988.55	1022.14	1055.79	1100.49	1134.08	1178.78	1212.40	1246.04	1290.69	1324.32	1357.93
Ellipse	624.62	669.34	702.95	736.55	781.24	814.88	859.54	892.62	926.78	971.47	1005.08	1038.70	1083.42	1117.01	1161.70	1195.34	1228.96	1273.64	1307.25	1340.88
Taper	545.76	590.47	624.09	657.69	702.38	736.02	780.68	814.31	847.92	892.60	926.22	959.84	1004.56	1038.14	1082.84	1116.48	1150.10	1194.78	1228.38	1262.01

SG 7640 (SG 6160) CORD DRAWN Ø 50mm – TAUPE/ANTIQUÉ BRONZE/ANODIC GREY/SLATE GREY/BRONZE

Size (cm)	125	150	175	200	225	250	275	300	325	350	375	400	425	450	475	500	525	550	575	600
Endcap Flush/Stud	473.15	525.40	566.58	607.81	660.10	701.26	753.54	794.78	835.97	888.22	929.42	970.65	1022.89	1064.08	1116.38	1157.59	1198.74	1251.04	1292.26	1333.46
Ball End	676.36	728.62	769.81	811.04	863.32	904.48	956.77	998.00	1039.19	1091.43	1132.65	1173.87	1226.10	1267.30	1319.87	1360.81	1401.98	1454.27	1495.47	1536.68
Spear Finial	770.31	822.56	863.74	904.99	957.28	998.44	1050.71	1091.95	1133.14	1185.39	1226.59	1267.82	1320.06	1361.25	1413.55	1454.75	1495.91	1548.20	1589.42	1630.63
Groove Cylinder	630.42	682.67	723.85	765.10	817.39	858.55	910.83	952.40	993.25	1045.50	1086.70	1127.94	1180.17	1221.36	1273.66	1314.87	1356.03	1408.32	1449.53	1491.16
Design Endcap	537.14	590.52	630.57	671.81	724.11	765.26	817.55	858.78	899.97	952.22	993.42	1034.66	1086.89	1128.08	1180.38	1221.59	1262.75	1315.04	1356.25	1397.45
Clear Ball	731.01	783.26	824.44	865.67	917.96	959.12	1011.40	1052.63	1093.82	1146.07	1187.27	1228.51	1280.75	1321.94	1374.24	1415.45	1456.60	1508.90	1550.11	1591.31
Ellipse	713.96	766.21	807.38	848.63	900.92	942.08	994.35	1035.59	1076.78	1129.03	1170.23	1211.46	1263.70	1304.89	1357.19	1398.39	1439.55	1491.84	1533.07	1574.27
Taper	635.10	687.35	728.53	769.76	822.05	863.21	915.49	956.72	997.92	1050.16	1091.37	1132.60	1184.84	1226.03	1278.33	1319.54	1360.69	1412.99	1454.20	1495.41

The above pricing includes standard glider (11301). For alternatives add the relevant price supplement below.

SG 7640 (SG 6160) GLIDER – SUPPLEMENTS

Size	125	150	175	200	225	250	275	300	325	350	375	400	425	450	475	500	525	550	575	600
SG 6283 Roller-Glider	23.52	28.23	32.93	37.63	42.34	47.04	51.75	56.45	61.16	65.86	70.56	75.27	79.97	84.68	89.38	94.09	98.79	103.49	108.19	112.91
Supplement																				
Wave™ Standard Supplement																				
60mm Glider-cord	24.56	29.45	34.37	39.29	44.19	49.11	54.01	58.93	63.83	68.75	73.67	78.56	83.48	88.38	93.30	98.20	103.12	108.04	112.94	117.86
80mm Glider-cord	20.10	24.35	28.03	31.69	35.96	39.61	43.86	47.54	51.20	55.47	59.12	62.78	67.05	70.71	74.98	78.63	82.31	86.56	90.23	93.89
Enhanced Wave Supplement																				
Please add the following to the above 80mm wave prices.																				
Enhanced Wave																				
Single Stack: £22.42																				
Pair Stack: £44.87																				
SG 6099 Wave Roller-Glider (Not for use on bent 50mm poles)																				
Supplement (80mm)*	89.73	107.67	125.63	143.57	161.51	179.47	197.41	215.36	233.30	251.50	269.20	287.14	305.08	323.04	340.98	358.93	376.87	394.81	412.76	430.71

7640 Intermediate Pulley 11664, see parts list for prices.

Bending Angle bend: £96.00 each. Standard radius 68cm. Semi-circle or gradual curve: £128.50 each. Bent tracks not compatible with 6099 Wave Roller Glider.

Ellipse finials on 50mm poles can only be face fixed.

*When a Metropole is ordered in black, the standard glider will also be supplied in black

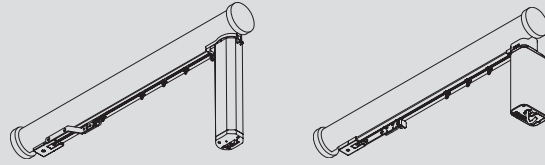
All prices shown exclude VAT



Metropole

SG 7650

A decorative curtain pole concept combining beautifully crafted design details with contemporary finishes on our pole systems 7600/7610/7620/7630/7640 and 7650.



Electrically operated,
Ø 50mm straight only.

All assembled systems below includes 20334 maxi adjustable bracket as standard.

Electric Metropole SG 7650 (SG 6150) System – 5100 B Version

Price Category A

Size (cm)	125	150	175	200	225	250	275	300	325	350	375	400	425	450	475	500	525	550	575	600
*Silver/White/Black/Ecru/Matt White																				
Endcaps Flush/Stud	1080.43	1111.82	1167.96	1189.66	1338.27	1359.97	1415.98	1437.68	1586.28	1617.71	1663.99	1695.42	1834.30	1865.73	1921.76	1943.45	1965.15	1986.85	2008.55	2030.25
*Ball End	1283.65	1315.04	1371.18	1392.88	1541.49	1563.19	1619.20	1640.90	1789.50	1820.93	1867.21	1898.64	2037.52	2068.95	2124.98	2146.68	2168.37	2190.07	2211.77	2233.46
*Spear Finial	1377.60	1408.99	1465.13	1486.83	1635.44	1657.14	1713.15	1734.85	1883.45	1914.88	1961.16	1992.59	2131.47	2162.90	2218.93	2240.62	2262.32	2284.02	2305.72	2327.41
*Groove Cylinder	1237.71	1269.10	1325.24	1346.94	1495.55	1517.25	1573.26	1594.96	1743.56	1774.99	1821.27	1852.70	1991.58	2023.01	2079.04	2100.74	2122.43	2144.13	2165.83	2187.52
*Design Endcap	1144.43	1175.82	1231.96	1253.66	1402.27	1423.97	1479.98	1501.68	1650.28	1681.71	1727.99	1759.42	1898.30	1929.73	1985.76	2007.45	2029.15	2050.85	2072.55	2094.24
*Clear Ball	1338.31	1369.70	1425.84	1447.54	1596.15	1617.85	1673.86	1695.56	1844.16	1875.59	1921.87	1953.30	2092.18	2123.61	2179.64	2201.34	2223.03	2244.73	2266.43	2288.13
*Ellipse	1321.24	1352.63	1408.77	1430.47	1579.08	1600.78	1656.79	1678.49	1827.09	1858.52	1904.80	1936.23	2075.11	2106.54	2162.57	2184.26	2205.96	2227.66	2249.36	2271.06
*Taper	1242.38	1273.76	1329.91	1351.61	1500.22	1521.91	1577.93	1599.63	1748.22	1779.65	1825.94	1857.37	1996.25	2027.67	2083.70	2105.40	2127.10	2148.80	2170.49	2192.20
Anodic Grey/Slate Grey/Antique Bronze/Taupe/Bronze																				
Endcaps Flush/Stud	1126.07	1162.32	1223.37	1249.95	1403.40	1430.02	1490.90	1517.48	1670.98	1707.29	1758.44	1794.78	1938.53	1974.81	2035.74	2062.34	2088.94	2115.53	2142.13	2168.73
Ball End	1329.29	1365.55	1426.59	1453.17	1606.63	1633.24	1694.12	1720.71	1874.20	1910.52	1961.66	1998.00	2141.75	2178.04	2238.96	2265.56	2292.16	2318.76	2345.35	2371.95
Spear Finial	1423.24	1459.49	1520.54	1547.12	1700.57	1727.19	1788.07	1814.65	1968.15	2004.46	2055.61	2091.95	2235.70	2271.98	2332.91	2359.51	2386.11	2412.70	2439.30	2465.90
Groove Cylinder	1283.35	1319.61	1380.65	1407.23	1560.69	1587.30	1648.18	1674.77	1828.26	1864.58	1915.72	1952.06	2095.81	2132.10	2193.02	2219.62	2246.22	2272.82	2299.41	2326.01
Design Endcap	1190.06	1226.32	1287.37	1313.95	1467.40	1494.02	1554.90	1581.48	1734.98	1771.30	1822.44	1858.78	2002.53	2038.81	2099.74	2126.34	2152.94	2179.53	2206.13	2232.73
Clear Ball	1383.95	1420.21	1481.25	1507.83	1661.29	1687.90	1748.78	1775.37	1928.86	1965.18	2016.32	2052.66	2196.41	2232.70	2293.62	2320.22	2346.82	2373.42	2400.01	2426.62
Ellipse	1366.88	1403.13	1464.18	1490.76	1644.21	1670.83	1731.71	1758.29	1911.79	1948.10	1999.25	2035.59	2179.34	2215.62	2276.55	2303.15	2329.75	2356.34	2382.94	2409.54
Taper	1288.01	1324.27	1385.31	1411.90	1565.35	1591.96	1652.85	1679.43	1832.93	1869.24	1920.38	1956.72	2100.48	2136.76	2197.69	2224.29	2250.88	2277.48	2304.08	2330.68

Electric Metropole SG 7650 (SG 6150) System – 5100 R Version

Size (cm)	125	150	175	200	225	250	275	300	325	350	375	400	425	450	475	500	525	550	575	600
*Silver/White/Black/Ecru/Matt White																				
Endcaps Flush/Stud	1156.42	1187.80	1243.85	1265.54	1414.15	1435.85	1491.87	1513.57	1662.16	1693.59	1739.88	1771.30	1910.29	1941.71	1997.74	2019.44	2041.14	2062.84	2084.53	2106.23
*Ball End	1359.64	1391.02	1447.07	1468.76	1617.38	1639.07	1695.09	1716.79	1865.38	1896.81	1943.10	1974.52	2113.51	2144.94	2200.96	2222.66	2244.36	2266.06	2287.76	2309.45
*Spear Finial	1453.59	1484.97	1541.02	1562.71	1711.32	1733.02	1789.04	1810.73	1959.33	1990.76	2037.05	2068.47	2207.46	2238.88	2294.91	2316.61	2338.31	2360.01	2381.70	2403.40
*Groove Cylinder	1313.70	1345.08	1401.13	1422.82	1571.44	1593.13	1649.15	1670.85	1819.44	1850.87	1897.16	1928.59	2067.57	2099.00	2155.02	2176.72	2198.42	2220.12	2241.82	2263.51
*Design Endcap	1220.42	1251.80	1307.85	1329.54	1478.15	1499.85	1555.87	1577.57	1726.16	1757.59	1803.88	1835.30	1974.29	2005.72	2061.74	2083.44	2105.14	2126.84	2148.53	2170.23
*Clear Ball	1414.29	1445.69	1501.73	1523.43	1672.04	1693.73	1749.75	1771.45	1920.05	1951.47	1997.76	2029.19	2168.17	2199.60	2255.63	2277.32	2299.02	2320.72	2342.42	2364.12
*Ellipse	1397.23	1428.61	1484.66	1506.35	1654.96	1676.66	1732.68	1754.37	1902.97	1934.40	1980.69	2012.11	2151.10	2182.52	2238.55	2260.25	2281.95	2303.65	2325.34	2347.04
*Taper	1318.36	1349.75	1405.79	1427.49	1576.10	1597.80	1653.81	1675.51	1824.11	1855.54	1901.82	1933.25	2072.23	2103.66	2159.69	2181.39	2203.09	2224.78	2246.48	2268.18
Anodic Grey/Slate Grey/Antique Bronze/Taupe/Bronze																				
Endcaps Flush/Stud	1202.05	1238.31	1299.25	1325.84	1479.29	1505.90	1566.79	1593.37	1746.87	1783.18	1834.32	1870.66	2014.52	2050.80	2111.73	2138.33	2164.92	2191.52	2218.12	2244.72
Ball End	1405.27	1441.53	1502.47	1529.06	1682.51	1709.12	1770.01	1796.59	1950.09	1986.40	2037.54	2073.88	2217.74	2254.02	2314.95	2341.55	2368.14	2394.74	2421.34	2447.93
Spear Finial	1499.22	1535.48	1596.42	1623.01	1776.46	1803.07	1863.96	1890.54	2044.04	2080.35	2131.49	2167.83	2311.69	2347.97	2408.90	2435.50	2462.09	2488.69	2515.29	2541.89
Groove Cylinder	1359.33	1395.59	1456.53	1483.12	1636.57	1663.18	1724.07	1750.65	1904.15	1940.46	1991.60	2027.94	2171.80	2208.08	2269.01	2295.61	2322.21	2348.80	2375.40	2402.00
Design Endcap	1266.05	1302.31	1363.25	1389.84	1543.29	1569.90	1630.79	1657.37	1810.87	1847.18	1898.32	1934.66	2078.52	2114.80	2175.73	2202.33	2228.92	2255.52	2282.12	2308.71
Clear Ball	1459.94	1496.19	1557.14	1583.72	1737.17	1763.78	1824.67	1851.25	2004.75	2041.06	2092.20	2128.55	2272.40	2308.68	2369.61	2396.21	2422.81	2449.40	2476.00	2502.60
Ellipse	1442.86	1479.12	1540.06	1566.65	1720.10	1746.71	1807.60	1834.18	1987.68	2023.99	2075.13	2111.47	2255.33	2291.61	2352.54	2379.14	2405.73	2432.33	2458.93	2485.49
Taper	1364.00	1400.26	1461.20	1487.78	1641.24	1667.85	1728.73	1755.32	1908.81	1945.13	1996.27	2032.61	2176.46	2212.75	2273.68	2300.27	2326.87	2353.47	2380.07	2406.67

Electric Metropole SG 7650 (SG 6150) System – 5100 T Version

Size (cm)	125	150	175	200	225	250	275	300	325	350	375	400	425	450	475	500	525	550	575	600
*Silver/White/Black/Ecru/Matt White																				
Endcaps Flush/Stud	1264.27	1295.66	1351.70	1373.40	1522.01	1543.70	1599.72	1621.42	1770.02	1801.44	1847.73	1879.16	2018.04	2049.47	2105.49	2127.19	2148.89	2170.59	2192.29	2213.98
*Ball End	1467.49	1498.88	1554.92	1576.62	1725.23	1746.93	1802.94	1824.64	1973.24	2004.66	2050.95	2082.38	2221.26	2252.69	2308.72	2330.41	2352.11	2373.81	2395.51	2417.20
*Spear Finial	1561.44	1592.83	1648.87	1670.57	1819.18	1840.87	1896.89	1918.59	2067.18	2098.61	2144.90	2176.33	2315.21	2346.64	2402.66	2424.36	2446.06	2467.76	2489.45	2511.15
*Groove Cylinder	1421.56	1452.94	1508.98	1530.68	1679.29	1700.99	1757.00	1778.70	1927.30	1958.72	2005.01	2036.44	2175.32	2206.75	2262.78	2284.47	2306.17	2327.87	2349.57	2371.26
*Design Endcap	1328.26	1359.66	1415.70	1437.40	1586.01	1607.71	1663.72	1685.42	1834.02	1865.44	1911.73	1943.16	2082.04	2113.47	2169.49	2191.19	2212.89	2234.59	2256.29	2277.98
*Clear Ball	1522.15	1553.54	1609.58	1631.28	1779.89	1801.59	1857.60	1879.30	2027.90	2059.33	2105.61	2137.04	2275.92	2307.35	2363.38	2385.07	2406.77	2428.47	2450.17	2471.87
*Ellipse	1505.08	1536.47	1592.51	1614.21	1762.82	1784.51	1840.53	1862.23	2010.83	2042.25	2088.54	2119.97	2258.85	2290.28	2346.30	2368.00	2389.70	2411.40	2433.10	2454.79
*Taper	1426.22	1457.60	1513.64	1535.34	1683.95	1705.65	1761.67													



Metropole

Electric Metropole SG 7650 (SG 6150) System – 5100 TC Version

Price Category A

Size	125	150	175	200	225	250	275	300	325	350	375	400	425	450	475	500	525	550	575	600
*Silver/White/Black/Ecru/Matt White																				
Endcaps Flush/Stud	1340.25	1371.64	1427.68	1449.38	1597.99	1619.69	1675.71	1697.40	1846.00	1877.43	1923.71	1955.14	2094.02	2125.45	2181.48	2203.18	2224.88	2246.57	2268.27	2289.97
*Ball End	1543.48	1574.86	1630.91	1652.60	1801.22	1822.91	1878.93	1900.63	2049.22	2080.65	2126.94	2158.36	2297.25	2328.67	2384.70	2406.40	2428.10	2449.80	2471.49	2493.19
*Spear Finial	1637.42	1668.81	1724.85	1746.55	1895.16	1916.86	1972.88	1994.57	2143.17	2174.60	2220.88	2252.31	2391.19	2422.62	2478.65	2500.35	2522.05	2543.74	2565.44	2587.14
*Groove Cylinder	1497.54	1528.92	1584.97	1606.66	1755.28	1776.97	1832.99	1854.69	2003.28	2034.71	2081.00	2112.42	2251.31	2282.73	2338.76	2360.46	2382.16	2403.86	2425.55	2447.25
*Design Endcap	1404.26	1435.64	1491.69	1513.38	1661.99	1683.69	1739.71	1761.40	1910.00	1941.43	1987.72	2019.14	2158.02	2189.45	2245.48	2267.18	2288.88	2310.57	2332.27	2353.97
*Clear Ball	1598.14	1629.53	1685.57	1707.27	1855.88	1877.57	1933.59	1955.29	2103.88	2135.31	2181.60	2213.03	2351.91	2383.33	2439.36	2461.06	2482.76	2504.46	2526.15	2547.85
*Ellipse	1581.06	1612.45	1668.49	1690.19	1838.80	1860.50	1916.52	1938.21	2086.81	2118.24	2164.52	2195.95	2334.83	2366.26	2422.29	2443.99	2465.69	2487.38	2509.08	2530.78
*Taper	1502.20	1533.59	1589.63	1611.33	1759.94	1781.64	1837.66	1859.35	2007.95	2039.38	2085.66	2117.09	2255.97	2287.40	2343.43	2365.13	2386.82	2408.52	2430.22	2451.92
Anodic Grey/Slate Grey/Antique Bronze/Taupe/Bronze																				
Endcaps Flush/Stud	1385.90	1422.15	1483.09	1509.68	1663.13	1689.74	1750.63	1777.21	1930.71	1967.02	2018.16	2054.50	2198.25	2234.54	2295.47	2322.06	2348.66	2375.26	2401.86	2428.45
Ball End	1589.11	1625.37	1686.31	1712.90	1866.35	1892.96	1953.85	1980.43	2133.93	2170.24	2221.38	2257.72	2401.48	2437.76	2498.69	2525.29	2551.88	2578.48	2605.08	2631.67
Spear Finial	1683.07	1719.32	1780.26	1806.85	1960.30	1986.91	2047.80	2074.38	2227.88	2264.19	2315.33	2351.67	2495.42	2531.71	2592.64	2619.23	2645.83	2672.43	2699.03	2725.62
Groove Cylinder	1543.18	1579.43	1640.37	1666.96	1820.41	1847.02	1907.91	1934.49	2087.99	2124.30	2175.44	2211.78	2355.54	2391.82	2452.75	2479.35	2505.94	2532.54	2559.14	2585.73
Design Endcap	1449.89	1486.15	1547.09	1573.68	1727.13	1753.74	1814.63	1841.21	1994.71	2031.02	2082.16	2118.50	2262.25	2298.54	2359.47	2386.06	2412.66	2439.26	2465.86	2492.45
Clear Ball	1643.77	1680.03	1740.98	1767.56	1921.01	1947.62	2008.51	2035.09	2188.59	2224.90	2276.04	2312.38	2456.14	2492.42	2553.35	2579.95	2606.54	2633.14	2659.74	2686.34
Ellipse	1626.71	1662.96	1723.90	1750.49	1903.94	1930.55	1991.44	2018.02	2171.52	2207.83	2258.97	2295.31	2439.06	2475.35	2536.28	2562.87	2589.47	2616.07	2642.67	2669.26
Taper	1547.84	1584.10	1645.04	1671.62	1825.08	1851.69	1912.57	1939.16	2092.65	2128.97	2180.11	2216.45	2360.20	2396.49	2457.41	2484.01	2510.61	2537.21	2563.80	2590.40

SG 7650 (SG 6150) WAVE – SUPPLEMENTS (applicable to 5100 versions only)

Size	125	150	175	200	225	250	275	300	325	350	375	400	425	450	475	500	525	550	575	600
Wave*Standard Supplement																				
60mm Glider-Cord	49.98	59.97	69.98	79.97	89.98	99.97	109.96	119.95	129.95	139.96	149.96	159.95	169.96	179.95	189.96	199.95	209.94	219.93	229.92	239.91
80mm Glider-Cord	42.78	51.33	59.88	68.43	76.99	85.54	94.11	102.66	111.22	119.77	128.33	136.88	145.45	154.00	162.56	171.11	179.66	188.21	196.76	205.31

Electric Metropole SG 7650 (SG 6150) System – 5600 Version

Price

Size (cm)	125	150	175	200	225	250	275	300	325	350	375	400	425	450	475	500	525	550	575	600
Silver/White/Black/Ecru/Matt White																				
Endcaps Flush/Stud	2,043.31	2,069.50	2,131.03	2,147.50	2,301.53	2,317.99	2,379.43	2,395.90	2,549.96	2,576.19	2,627.90	2,654.09	2,798.41	2,824.61	2,886.08	2,902.53	3,056.58	3,073.04	3,134.97	3,160.74
*Ball End	2,246.53	2,272.73	2,334.25	2,350.72	2,504.75	2,521.21	2,582.65	2,599.13	2,753.19	2,779.41	2,831.12	2,857.31	3,001.64	3,027.83	3,089.31	3,105.75	3,259.81	3,276.26	3,338.20	3,363.96
*Spear Finial	2,340.48	2,366.67	2,428.20	2,444.67	2,598.70	2,615.16	2,676.60	2,693.07	2,847.13	2,873.36	2,925.07	2,951.26	3,095.58	3,121.78	3,183.25	3,199.70	3,353.75	3,370.21	3,432.14	3,457.91
*Groove Cylinder	2,200.59	2,226.79	2,288.31	2,304.78	2,458.81	2,475.27	2,536.71	2,553.19	2,707.25	2,733.47	2,785.18	2,811.37	2,955.70	2,981.89	3,043.37	3,059.81	3,213.87	3,230.32	3,292.26	3,318.02
*Design Endcap	2,107.31	2,133.50	2,195.03	2,211.50	2,365.53	2,381.99	2,443.43	2,459.91	2,613.97	2,640.19	2,691.90	2,718.09	2,862.41	2,888.61	2,950.08	2,966.53	3,120.58	3,137.04	3,198.97	3,224.74
*Clear Ball	2,301.20	2,327.39	2,388.91	2,405.38	2,559.41	2,575.87	2,637.32	2,653.79	2,807.85	2,834.07	2,885.78	2,911.97	3,056.30	3,082.49	3,143.97	3,160.41	3,314.47	3,330.92	3,392.86	3,418.63
*Ellipse	2,284.12	2,310.31	2,371.84	2,388.31	2,542.34	2,558.80	2,620.24	2,636.71	2,790.77	2,817.00	2,868.71	2,894.90	3,039.22	3,065.42	3,126.89	3,143.34	3,297.39	3,313.85	3,375.78	3,401.55
*Taper	2,205.26	2,231.45	2,292.98	2,309.45	2,463.48	2,479.93	2,541.38	2,557.85	2,711.91	2,738.13	2,789.85	2,816.04	2,960.36	2,986.55	3,048.03	3,064.47	3,218.53	3,234.99	3,296.92	3,322.69
Anodic Grey/Slate Grey/Antique Bronze/Taupe/Bronze																				
Endcaps Flush/Stud	2,088.93	2,120.00	2,186.39	2,207.74	2,366.68	2,388.02	2,454.33	2,475.72	2,634.64	2,665.75	2,722.32	2,753.41	2,902.63	2,933.72	3,000.05	3,021.36	3,180.33	3,201.67	3,268.48	3,299.13
Ball End	2,292.14	2,323.22	2,389.61	2,410.97	2,569.90	2,591.24	2,657.56	2,678.94	2,837.87	2,868.97	2,925.55	2,956.63	3,105.85	3,136.94	3,203.27	3,224.58	3,383.55	3,404.89	3,471.70	3,502.35
Spear Finial	2,386.09	2,417.17	2,483.56	2,504.91	2,663.85	2,685.19	2,751.50	2,772.89	2,931.81	2,962.92	3,019.49	3,050.58	3,199.80	3,230.89	3,297.22	3,318.53	3,477.50	3,498.84	3,565.65	3,596.30
Groove Cylinder	2,246.20	2,277.28	2,343.67	2,365.03	2,523.96	2,545.30	2,611.62	2,633.00	2,791.93	2,823.03	2,879.61	2,910.69	3,059.91	3,091.00	3,157.33	3,178.64	3,337.61	3,358.95	3,425.76	3,456.41
Design Endcap	2,152.92	2,184.00	2,250.39	2,271.74	2,430.68	2,452.02	2,518.33	2,539.72	2,698.64	2,729.75	2,786.32	2,817.41	2,966.63	2,997.72	3,064.05	3,085.36	3,244.33	3,265.67	3,332.48	3,363.13
Clear Ball	2,346.81	2,377.88	2,444.27	2,465.63	2,624.57	2,645.90	2,712.22	2,733.60	2,892.53	2,923.63	2,980.21	3,011.30	3,160.52	3,191.60	3,257.93	3,279.24	3,438.21	3,459.55	3,526.36	3,557.01
Ellipse	2,329.74	2,360.81	2,427.20	2,448.55	2,607.49	2,628.83	2,695.14	2,716.53	2,875.45	2,906.56	2,963.13	2,994.22	3,143.44	3,174.53	3,240.86	3,262.17	3,421.14	3,442.48	3,509.29	3,539.93
Taper	2,250.88	2,281.95	2,348.34	2,369.69	2,528.63	2,549.97	2,616.28	2,637.67	2,796.59	2,827.69	2,884.27	2,915.36	3,064.58	3,095.67	3,162.00	3,183.30	3,342.27	3,363.61	3,430.43	3,461.08

SMART by Silent Gliss – For SG 7650/5600 control via third party control system

Price Category C

Electric Track	SG 5600
11270 Plug in RS 485 motor module	Add £247.46 per system**Power supplies not included - see separate associated components prices page 28.

Wave Roller Glider – SUPPLEMENT

Size (cm)	125	150	175	200	225	250	275	300	325	350	375	400	425	450	475	500	525	550	575	600
60/80mm	53.15	63.78	74.40	85.02	95.64	106.28	116.90	127.54	138.16	148.78	159.41	170.04	180.66	191.30	201.92	212.55	223.17	233.80	244.43	255.07

* Finials are not available in silver

** When a 7650/5600 Metropole is ordered in black, the standard glider will also be supplied in black

Ellipse finials on 50mm poles can only be face fixed

All prices shown exclude VAT



Metropole

Electric Metropole SG 7650 (SG 6150) System – 5600 Integral Receiver System

Price Category C

Size (cm)	125	150	175	200	225	250	275	300	325	350	375	400	425	450	475	500	525	550	575	600
*Silver/White/**Black/Ecru/Matt White																				
Endcaps Flush/Stud	2,267.15	2,293.34	2,354.86	2,371.34	2,525.36	2,541.82	2,603.27	2,619.74	2,773.80	2,800.02	2,851.73	2,877.92	3,022.25	3,048.44	3,109.92	3,126.36	3,280.42	3,296.87	3,358.81	3,384.58
'Ball End	2,470.36	2,496.56	2,558.08	2,574.56	2,728.58	2,745.04	2,806.49	2,822.96	2,977.02	3,003.24	3,054.95	3,081.15	3,225.47	3,251.66	3,313.14	3,329.58	3,483.64	3,500.10	3,562.03	3,587.79
'Spear Finial	2,564.31	2,590.51	2,652.03	2,668.51	2,822.53	2,838.99	2,900.44	2,916.91	3,070.97	3,097.19	3,148.90	3,175.09	3,319.42	3,345.61	3,407.09	3,423.53	3,577.59	3,594.04	3,655.98	3,681.74
'Groove Cylinder	2,424.42	2,450.62	2,512.15	2,528.62	2,682.64	2,699.10	2,760.55	2,777.02	2,931.08	2,957.30	3,009.01	3,035.21	3,179.53	3,205.72	3,267.20	3,283.64	3,437.70	3,454.16	3,516.09	3,541.85
'Design Endcap	2,331.14	2,357.34	2,418.86	2,435.34	2,589.36	2,605.82	2,667.27	2,683.74	2,837.80	2,864.02	2,915.73	2,941.93	3,086.25	3,112.44	3,173.92	3,190.36	3,344.42	3,360.88	3,422.81	3,448.57
'Clear Ball	2,525.03	2,551.22	2,612.75	2,629.22	2,783.24	2,799.70	2,861.15	2,877.62	3,031.68	3,057.90	3,109.62	3,135.81	3,280.13	3,306.32	3,367.80	3,384.24	3,538.30	3,554.76	3,616.69	3,642.46
'Ellipse	2,507.95	2,534.15	2,595.67	2,612.15	2,766.17	2,782.63	2,844.08	2,860.55	3,014.61	3,040.83	3,092.54	3,118.73	3,263.06	3,289.25	3,350.73	3,367.17	3,521.23	3,537.68	3,599.62	3,625.39
'Taper	2,429.10	2,455.29	2,516.81	2,533.28	2,687.31	2,703.77	2,765.21	2,781.69	2,935.75	2,961.97	3,013.68	3,039.87	3,184.19	3,210.39	3,271.86	3,288.31	3,442.36	3,458.82	3,520.75	3,546.53
Anodic Grey/Slate Grey/Antique Bronze/Taupe/Bronze																				
Endcaps Flush/Stud	2,312.76	2,343.83	2,410.22	2,431.58	2,590.52	2,611.85	2,678.17	2,699.55	2,858.48	2,889.58	2,946.16	2,977.25	3,126.47	3,157.56	3,223.88	3,245.19	3,404.16	3,425.50	3,492.31	3,522.96
'Ball End	2,515.98	2,547.06	2,613.45	2,634.80	2,793.74	2,815.08	2,881.39	2,902.77	3,061.70	3,092.80	3,149.38	3,180.47	3,329.69	3,360.78	3,427.10	3,448.41	3,607.38	3,628.72	3,695.53	3,726.19
'Spear Finial	2,609.93	2,641.00	2,707.39	2,728.75	2,887.69	2,909.02	2,975.34	2,996.72	3,155.65	3,186.75	3,243.33	3,274.42	3,423.64	3,454.73	3,521.05	3,542.36	3,701.33	3,722.67	3,789.48	3,820.13
'Groove Cylinder	2,470.04	2,501.12	2,567.51	2,588.86	2,747.80	2,769.14	2,835.45	2,856.83	3,015.76	3,046.86	3,103.44	3,134.53	3,283.75	3,314.84	3,381.16	3,402.47	3,561.44	3,582.78	3,649.59	3,680.24
'Design Endcap	2,376.76	2,407.83	2,474.22	2,495.58	2,654.52	2,675.86	2,742.17	2,763.55	2,922.48	2,953.58	3,010.16	3,041.25	3,190.47	3,221.56	3,287.88	3,309.19	3,468.16	3,489.50	3,556.31	3,586.97
'Clear Ball	2,570.65	2,601.72	2,668.11	2,689.46	2,848.40	2,869.74	2,936.05	2,957.43	3,116.36	3,147.46	3,204.04	3,235.13	3,384.35	3,415.44	3,481.77	3,503.07	3,662.04	3,683.38	3,750.20	3,780.84
'Ellipse	2,553.57	2,584.64	2,651.03	2,672.39	2,831.33	2,852.66	2,918.98	2,940.36	3,099.29	3,130.39	3,186.97	3,218.06	3,367.28	3,398.37	3,464.69	3,486.00	3,644.97	3,666.31	3,733.12	3,763.77
'Taper	2,474.71	2,505.78	2,572.17	2,593.52	2,752.46	2,773.80	2,840.11	2,861.50	3,020.42	3,051.53	3,108.11	3,139.19	3,288.41	3,319.50	3,385.83	3,407.14	3,566.11	3,587.45	3,654.26	3,684.91

Wave Roller Glider – SUPPLEMENT

Size (cm)	125	150	175	200	225	250	275	300	325	350	375	400	425	450	475	500	525	550	575	600
60/80mm	53.15	63.78	74.40	85.02	95.64	106.28	116.90	127.54	138.16	148.78	159.41	170.04	180.66	191.30	201.92	212.55	223.17	233.80	244.43	255.07

* Finials not available in silver

** When a 7650/5600 Metropole is ordered in black, the standard glider will also be supplied in black

Ellipse finials on 50mm poles can only be face fixed

SG 7605 Metropole

A 36mm deep flat profile

Assembled systems below includes Smart Fix Set **11206** as standard.
Bent poles are supplied with Smart Fix Set **11209** as standard.
For additional bracket options, please see page 22.

20cm std.

HAND DRAWN 36mm deep – WHITE/SILVER/**BLACK/GUNMETAL/ANTIQU BRONZE/CHROME EFFECT (max. length 3.95m)/

ANODIC GREY/CHARCOAL/SLATE GREY/MATT WHITE/BRONZE

Price Category A

Size (cm)	125	150	175	200	225	250	275	300	325	350	375	400	425	450	475	500	525	550	575	600
Pole 6100 with Flush/Stud endcaps																				
Silver/Black/White/Matt White	128.03	145	162.13	179.21	196.21	213.31	230.35	247.49	264.46	281.55	298.63	315.69	332.78	349.83	366.9	383.95	401	418.06	435.13	452.19
Pole 6100 with Flush/Stud endcaps																				
Slate Grey/Charcoal/Chrome Effect/Anodic Grey/Anit Bze Gunmetal/Bronze	153.77	175.99	198.21	220.44	242.67	264.85	287.09	309.28	331.53	353.71	375.93	398.1	420.39	442.61	464.82	487.01	509.23	531.45	553.68	575.89

The above pricing includes standard glider (11301). For alternatives add the relevant price supplement below.

SG 7605 (SG 6100) GLIDER - SUPPLEMENTS

Size (cm)	125	150	175	200	225	250	275	300	325	350	375	400	425	450	475	500	525	550	575	600
SG 6283 Roller-Glider Supplement	23.52	28.23	32.93	37.63	42.34	47.04	51.75	56.45	61.16	65.86	70.56	75.27	79.97	84.68	89.38	94.09	98.79	103.49	108.19	112.91
Wave™ Standard Supplement																				
60mm Glider-cord	24.56	29.45	34.37	39.29	44.19	49.11	54.01	58.93	63.83	68.75	73.67	78.56	83.48	88.38	93.30	98.20	103.12	108.04	112.94	117.86
80mm Glider-cord	20.10	24.35	28.03	31.69	35.96	39.61	43.86	47.54	51.20	55.47	59.12	62.78	67.05	70.71	74.98	78.63	82.31	86.56	90.23	93.89
OR																				
Enhanced Wave Supplement (with added optional extras)																				
Please add the following to the above 80mm wave prices.																				
Option 1: 2256 Adjustable Brake Option 2: 2255 Adjustable Brake & 6366 Carrier Option 3: Enhanced Wave (80mm only)																				
Single Stack: £9.38 Pair Stack: £18.75 Single Stack: £19.05 Pair Stack: £38.08 Single Stack: £35.34 Pair Stack: £70.71																				
SG 6099 Wave Roller-Glider Supplement (80mm)																				
	89.73	107.67	125.63	143.57	161.51	179.47	197.41	215.36	233.30	251.50	269.20	287.14	305.08	323.04	340.98	358.93	376.87	394.81	412.76	430.71














Bending 7605 Angle bend: £37.50 each. Standard radius 20cm. Semi-circle or gradual curve: £50.50 each.

* When a Metropole is ordered in black, the standard glider will also be supplied in black

All prices shown exclude VAT



Metropole Brackets

	11125 Smart Fix 80mm Bracket (11207 Set)		20334 Maxi Adjustable Bracket
	11126 Smart Fix 100mm Bracket (11208 Set)		11668 Top Fix Bracket
	11216 Square Smart Fix 60mm Bracket Set		11669 Fillet Bracket
	11217 Square Smart Fix 80mm Bracket Set		6175 Mini Hanger
	11218 Square Smart Fix 100mm Bracket Set		11154 Universal Smart Fix Set 120mm
	11472 Square Smart Fix Adjustable Bracket Set		11155 Universal Smart Fix Set 150mm
			11156 Universal Smart Fix Set 200mm

Brackets

Price Category A

Bracket Supplements – Add the following supplement on to the system price if alternative brackets have been specified:

Pole Size (cm)	No. of Brackets	11125 (11207 Set) Smart Fix 80mm		11126 (11208 Set) Smart Fix 100mm		6175 Mini Hanger		11669 Fillet Bracket (Add on pricing for 23mm, 36mm, 30mm)		11669 Fillet Brackets (Add on pricing for 50mm)	20334 Maxi Adjustable Bracket	11668 Top Fix Bracket	11154 Universal Smart Fix Bracket	11155 Universal Smart Fix Bracket	11156 Universal Smart Fix Bracket
		Colour		Colour		Colour		Colour		Colour	Colour	Colour	Colour	Colour	Colour
		Silver, Black, White, Matt White, Ecu, Gunmetal, Charcoal, Bronze, Antique Bronze, Anodic Grey, Slate Grey, Ochre, Sand, Taupe	Chrome Effect	Silver, Black, White, Matt White, Ecu, Gunmetal, Charcoal, Bronze, Antique Bronze, Anodic Grey, Slate Grey, Ochre, Sand, Taupe	Chrome Effect	Silver, White	Black, Gunmetal, Matt White, Charcoal, Ecu, Bronze, Antique Bronze, Anodic Grey, Slate Grey, Ochre, Sand, Taupe	Silver, Black, Gunmetal, White, Matt White, Charcoal, Ecu, Bronze, Antique Bronze, Anodic Grey, Slate Grey, Ochre, Sand, Taupe	Chrome Effect	Silver, Black, Gunmetal, White, Matt White, Charcoal, Ecu, Bronze, Antique Bronze, Anodic Grey, Slate Grey, Ochre, Sand, Taupe	Silver, Black, Gunmetal, White, Matt White, Charcoal, Ecu, Bronze, Antique Bronze, Anodic Grey, Slate Grey, Ochre, Sand, Taupe	Silver, Black, Gunmetal, White, Matt White, Charcoal, Ecu, Bronze, Antique Bronze, Anodic Grey, Slate Grey, Ochre, Sand, Taupe	Silver, Black, Gunmetal, White, Matt White, Charcoal, Ecu, Bronze, Antique Bronze, Anodic Grey, Slate Grey, Ochre, Sand, Taupe (Available 1st February 2024)		
125	3	3.51	1.92	7.37	10.82	73.62	105.23	120.36	98.23	29.38	90.99	39.51	75.65	76.89	78.58
150	4	4.68	2.56	9.83	14.43	98.16	140.31	160.48	130.97	39.18	121.32	52.68	100.87	102.52	104.77
175	4	4.68	2.56	9.83	14.43	98.16	140.31	160.48	130.97	39.18	121.32	52.68	100.87	102.52	104.77
200	4	4.68	2.56	9.83	14.43	98.16	140.31	160.48	130.97	39.18	121.32	52.68	100.87	102.52	104.77
225	5	5.86	3.20	12.29	18.04	122.69	175.39	200.60	163.71	48.97	151.65	65.85	126.09	128.15	130.96
250	5	5.86	3.20	12.29	18.04	122.69	175.39	200.60	163.71	48.97	151.65	65.85	126.09	128.15	130.96
275	6	7.03	3.84	14.74	21.64	147.23	210.47	240.72	196.46	58.77	181.98	79.02	151.30	153.78	157.16
300	6	7.03	3.84	14.74	21.64	147.23	210.47	240.72	196.46	58.77	181.98	79.02	151.30	153.78	157.16
325	6	7.03	3.84	14.74	21.64	147.23	210.47	240.72	196.46	58.77	181.98	79.02	151.30	153.78	157.16
350	7	8.20	4.48	17.20	25.25	171.77	245.55	280.84	229.20	68.56	212.31	92.19	176.52	179.42	183.35
375	7	8.20	4.48	17.20	25.25	171.77	245.55	280.84	229.20	68.56	212.31	92.19	176.52	179.42	183.35
400	7	8.20	4.48	17.20	25.25	171.77	245.55	280.84	229.20	68.56	212.31	92.19	176.52	179.42	183.35
425	8	9.37	5.12	19.66	28.86	196.31	280.62	320.96	261.94	78.35	242.64	105.36	201.74	205.05	209.54
450	8	9.37	5.12	19.66	28.86	196.31	280.62	320.96	261.94	78.35	242.64	105.36	201.74	205.05	209.54
475	9	10.54	5.76	22.11	32.47	220.85	315.70	361.08	294.68	88.15	272.97	118.53	226.96	230.68	235.73
500	9	10.54	5.76	22.11	32.47	220.85	315.70	361.08	294.68	88.15	272.97	118.53	226.96	230.68	235.73
525	9	10.54	5.76	22.11	32.47	220.85	315.70	361.08	294.68	88.15	272.97	118.53	226.96	230.68	235.73
550	10	11.71	6.40	24.57	36.07	245.39	350.78	401.20	327.43	97.94	303.30	131.70	252.17	256.31	261.93
575	10	11.71	6.40	24.57	36.07	245.39	350.78	401.20	327.43	97.94	303.30	131.70	252.17	256.31	261.93
600	10	11.71	6.40	24.57	36.07	245.39	350.78	401.20	327.43	97.94	303.30	131.70	252.17	256.31	261.93

Pole Size (cm)	No. of Brackets	11216 set (11145+11137) Square Smart Fix 60mm			11217 set (11146+11137) Square Smart Fix 80mm			11218 set (11147+11137) Square Smart Fix 100mm			11472 set (11483+11137) Square Smart Fix Adjustable		
		Colour			Colour			Colour			Colour		
		Silver, White	Black, Matt White, Ecu, Gunmetal, Charcoal, Bronze, Antique Bronze, Anodic Grey, Slate Grey, Ochre, Sand, Taupe	Chrome Effect	Silver, White	Black, Matt White, Ecu, Gunmetal, Charcoal, Bronze, Antique Bronze, Anodic Grey, Slate Grey, Ochre, Sand, Taupe	Chrome Effect	Silver, White	Black, Matt White, Ecu, Gunmetal, Charcoal, Bronze, Antique Bronze, Anodic Grey, Slate Grey, Ochre, Sand, Taupe	Chrome Effect	White, Silver	Black, Matt White, Ecu, Gunmetal, Charcoal, Bronze, Antique Bronze, Anodic Grey, Slate Grey, Ochre, Sand, Taupe	Chrome Effect
125	3	17.21	22.47	33.05	18.94	24.19	34.58	21.37	26.63	36.16	20.84	26.13	56.60
150	4	22.95	29.96	44.07	25.25	32.26	46.11	28.49	35.50	48.20	27.78	34.83	75.47
175	4	22.95	29.96	44.07	25.25	32.26	46.11	28.49	35.50	48.20	27.78	34.83	75.47
200	4	22.95	29.96	44.07	25.25	32.26	46.11	28.49	35.50	48.20	27.78	34.83	75.47
225	5	28.69	37.45	55.09	31.56	40.32	57.64	35.62	44.37	60.25	34.73	43.54	94.33
250	5	28.69	37.45	55.09	31.56	40.32	57.64	35.62	44.37	60.25	34.73	43.54	94.33
275	6	34.43	44.94	66.11	37.88	48.39	69.17	42.74	53.25	72.30	41.67	52.25	94.33
300	6	34.43	44.94	66.11	37.88	48.39	69.17	42.74	53.25	72.30	41.67	52.25	113.20
325	6	34.43	44.94	66.11	37.88	48.39	69.17	42.74	53.25	72.30	41.67	52.25	113.20
350	7	40.16	52.42	77.13	44.19	56.45	80.70	49.86	62.12	84.36	48.62	60.96	113.20
375	7	40.16	52.42	77.13	44.19	56.45	80.70	49.86	62.12	84.36	48.62	60.96	132.07
400	7	40.16	52.42	77.13	44.19	56.45	80.70	49.86	62.12	84.36	48.62	60.96	132.07
425	8	45.90	59.91	88.15	50.50	64.51	92.22	56.99	71.00	96.41	55.56	69.67	132.07
450	8	45.90	59.91	88.15	50.50	64.51	92.22	56.99	71.00	96.41	55.56	69.67	150.93
475	9	51.64	67.40	99.16	56.82	72.58	103.75	64.11	79.87	108.46	62.51	78.38	150.93
500	9	51.64	67.40	99.16	56.82	72.58	103.75	64.11	79.87	108.46	62.51	78.38	169.80
525	9	51.64	67.40	99.16	56.82	72.58	103.75	64.11	79.87	108.46	62.51	78.38	169.80
550	10	57.38	74.89	110.18	63.13	80.64	115.28	71.23	88.75	120.51	69.45	87.09	169.80
575	10	57.38	74.89	110.18	63.13	80.64	115.28	71.23	88.75	120.51	69.45	87.09	188.66
600	10	57.38	74.89	110.18	63.13	80.64	115.28	71.23	88.75	120.51	69.45	87.09	188.66

*Smart Fix bracket sets, 11207 and 11208 are supplied as standard at no additional charge for WAVE.

**Universal Smart Fix bracket options above are for single Metropole fixing. If double Metropole fixing is required please contact Silent Gliss for pricing.

Ellipse finials on 50mm poles can only be face fixed.
Extension brackets can be coloured to suit Metropole (refer to page 73 for pricing).

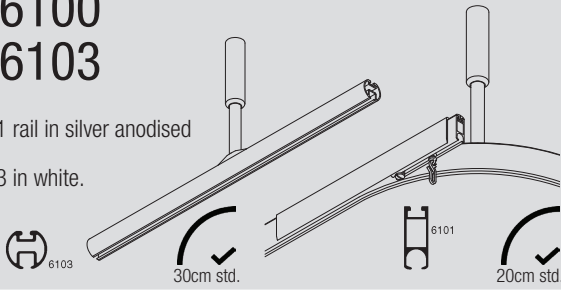
All prices shown exclude VAT

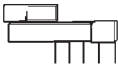
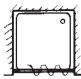
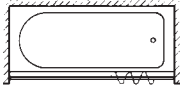

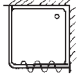
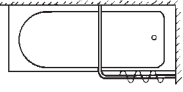

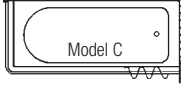
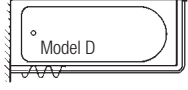
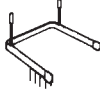
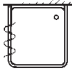
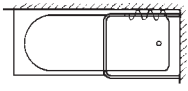


Room Divider / Cubicle Track Systems

SG 6100 SG 6103

SG 6101 rail in silver anodised finish.
SG 6103 in white.



			Price Ctgy.
Ready, complete, pre-packed with all accessories, including hanger rod(s) where applicable.			A
System Prices			
		6100 Silver	6103 White
Model A	91cm	63.07	107.97
	183cm	99.30	157.30
	213cm	112.08	173.43
	244cm	127.38	189.96
			
Model B	76cmx76cm	131.97	198.09
	91cmx91cm	144.50	214.33
			
Model C-left Model D-right	168cmx76cm	168.28	247.46
			
Model E	91cmx76cm x91cm	236.22	301.54
			
Special shapes for Shower Rails Send template and drawings for quotation.			A
Colours Special order – see Page 73.			E

Bending for special shower rails
 6101 Angle bend £27.00 Standard radius 20cm.
 Semi-circle or gradual curve £37.50
 6103 Angle bend £67.50
 Standard radius 30cm
 Semi-circle or gradual curve £89.50

All prices shown
exclude VAT



Room Divider / Cubicle Track Systems

Hospital Cubicle System available through approved Distributors only.

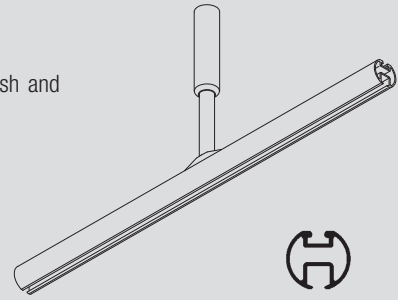
SG 6100

Hospital Cubicle Safety Device System available through approved Distributors only – use in conjunction with System 6100

SG 6650

SG 6103

Supplied in satin silver finish and white in 6 metre lengths.



	Price Ctg.
--	------------

Accessories

- 6101 Rail, silver, white. Available in following lengths: 4.5m, 5.0m, 5.5m, 6.0m, 6.75m. Available in silver only.
- 6094 Roller glider with hook, 10, 100.
- 6096 Strip glider. Outer, 1,000.
- 6098 Roller glider with eye, 10, 100.
- 6110 Dustcover for 6101, white, m.
- 6124 Twist double ceiling fixing plate, silver, white, each.
- 6137 Ceiling fixing plate (single), silver, white.
- 6138 Ceiling fixing plate (double), silver, white.
- 6143 Rotating glider, 20, 100.
- 6146 Nylon hook only, 12, 100.
- 6147 Nylon glider hook, 20.
- Box 500 (on strips). Outer 9,500.
- 6160 Track insert for 6100, each.
- 6190 Hanger rod assembly complete in silver and white, 61cm (2') or 91cm (3') or to order.
- 6191 Hanger tube, silver and white, per metre.
- 6192 Ceiling support complete with stud
- 6193, silver and white, 100mm.
- 6194 Track insert.
- 6283 Roller glider, 10, 100.
- 6501 'V' Hanger assembly system, silver, white.
- 6503 Wall brackets complete, silver, white.
- 25mm long with 50mm projection.
- 50mm long with 50mm projection.
- 100mm long with 50mm projection.
- 200mm long with 50mm projection.
- 50mm long with 100mm projection.
- 100mm long with 100mm projection.
- 75mm long with 150mm projection.
- 6512 Connecting bridge, silver, white.
- 6514 T-junction, single, silver, white.
- 6524 Diagonal fixing support, silver, white.
- 6525 Double "T" junction, each, silver, white.
- 6610 (old code 6609) Wall support, grey.
- 6611 End cover with screw, grey, white, each.
- 6625A Complete fixing sleeve, silver, white.
- 6199 Internal connecting bridge.
- 6187 Dummy ceiling support sleeve, silver, white.
- 6175 Mini hanger, silver, white.
- 0554 Loading device access.
- 0553 Connecting bridge for loading device.
- 0552 Transfer unit for loading device.
- 11295 Endstop, silver, white, ea, 10.

A

	Price Ctg.
--	------------

Accessories

- 6675 Safety device.
- 6655 Wall support.
- 6677 V-hanger safety device.
- 6663 Wall bracket connector plate.
- 6666 Safety connecting bridge.
- 6669 Dustcap for 6650.
- 6671 Washer insert for wall support.
- 6672 Cover for washer insert.
- 6679 Acrylic disc for wall support.

A

	Price Ctg.
--	------------

- 6103 Rail, silver and white, available in 6m lengths.
- 6065 Twist eye endstop, each, 10.
- 6094 Roller glider with hook, 10, 100.
- 6096 Strip glider. Outer 1,000.
- 6098 Roller glider with eye, 10, 100.
- 6110 Dustcover, metre, white.
- 6124 Twist double ceiling fixing plate, silver, white, each.
- 6143 Rotating glider, 20, 100.
- 6146 Nylon hook only, 12, 100.
- 6147 Nylon glider hook, 20.
- Box 500 (on strips). Outer, 9,500.
- 6193, 50mm, white and silver.
- 6190 Hanger rod assembly complete in silver and white.
- 61cm (2') 91cm (3') or to order.
- 6191 Hanger tube, silver and white, per metre.
- 6192 Ceiling support complete with stud
- 6193, 100m each, silver, white.
- 6194 Track insert.
- 6283 Roller glider, 10, 100.
- 6501 'V' Hanger assembly system, silver, white.
- 6503 Wall brackets complete, silver, white
- 25mm long with 50mm projection.
- 50mm long with 50mm projection.
- 100mm long with 50mm projection.
- 200mm long with 50mm projection.
- 50mm long with 100mm projection.
- 100mm long with 100mm projection.
- 75mm long with 150mm projection.
- 6514M T-junction, single, silver, white.
- 6525 Double "T" junction, silver, white.
- 6527 Wall support, metal, white.
- 6620 Wall support complete, each, 10. Grey, each, 10. White.
- 6625A Complete fixing sleeve, silver, white.
- 6630 End cover, grey, white.
- 6631 90° connector piece, grey, white.
- 6635 Internal connecting bridge.
- 6521 External connecting bridge, silver, white.
- 6524 Diagonal fixing support, silver, white.
- 6175 Mini hanger.
- 11295 Endstop, silver, white, each, 10.

A

	Price Ctg.
--	------------

Colours

(all colours except white and silver special order – see page 73).

E

Bending

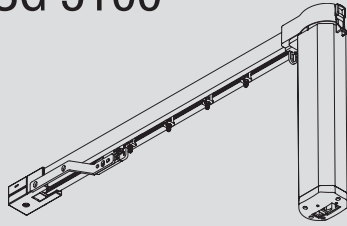
Angle bend £67.50.
Standard radius 30cm.
Semi-circle or gradual curve £89.50 each.

All prices shown exclude VAT



Electric Curtain Track Systems

SG 5100



SG 5100 Base
 SG 5100R with Remote Control
 SG 5100T with Timer
 SG 5100TC with Total Control



30cm std.

	Price Ctg.		Price Ctg.
System Prices Ready complete and assembled in white only.			
SG 5100		A	
Base			
Length			
cm	£		
100	584.41		
150	609.03		
200	633.74		
250	658.36		
300	682.98		
350	707.59		
400	732.22		
450	756.80		
500	781.43		
550	806.06		
600	830.68		
SG 5100R with Remote Control		A	
Length			
cm	£		
100	660.40		
150	685.00		
200	709.62		
250	734.24		
300	758.85		
350	783.47		
400	808.08		
450	832.79		
500	857.42		
550	882.04		
600	906.68		
SG 5100T with Timer		A	
Length			
cm	£		
100	768.24		
150	792.86		
200	817.47		
250	842.10		
300	866.71		
350	891.31		
400	915.92		
450	940.56		
500	965.16		
550	989.76		
600	1014.37		
SG 5100TC Total Control option		A	
Length			
cm	£		
100	844.25		
150	868.84		
200	893.46		
250	918.07		
300	942.69		
350	967.29		
400	991.92		
450	1016.52		
500	1041.14		
550	1065.76		
600	1090.37		
SG 5100 (all models)		A	
For systems assembled with wave gliders please add the following supplement to standard system price.			
Length			
cm	60mm	80mm	
100	41.98	35.92	
150	62.97	53.89	
200	83.97	71.85	
250	104.96	89.82	
300	125.95	107.79	
350	146.95	125.76	
400	167.95	143.72	
450	188.94	161.70	
500	209.94	179.67	
550	230.94	197.63	
600	251.94	215.60	
Standard Accessories		A	
18R Screw 25mm			
0286 Cable Clips			
1148C Countersunk screw No.8 31mm			
5190 Motor 100-250v AC with 5m lead			
10815 Cover White			
10823 Belt Connector Arm			
10824 Belt Connector Pin			
10825 Drive Belt			
10836 Hook White			
10867 M4 x 16 screw			
10925 Profile			
10926 Clamp			
10931 Roller Glider			
10933 Belt Return & Motor Holder Set White			
10936 Overlap Arm Set			
10940 Belt Return			
10945 Endstop			
10949 1 Channel Wall Transmitter White			
11116 Smart Fix Bracket Cover.			
11120 Smart Fix 100mm Bracket (11202 Set).			
Optional Accessories		A	
(Additional charges may apply)			
5192 24v DC moto			
5193 Motor 100-240v AC with mains control			
6349 Wave Curtain Tape FR			
6363 Webbing Tape 70mm. For Wave Curtain 100mm			
10905 Glider Cord 80mm for 6.5mm Channel			
10906 Glider Cord 60mm for 6.5mm Channel			
10943 Connecting Bridge			
10946 1 Channel Transmitter White			
10947 2 + 1 Channel Transmitter			
10948 6 + 1 Channel Transmitter			
10950 2 + 1 Channel Wall Transmitter			
10951 5 + 1 Channel Wall Transmitter			
11429 Timer White			
Smart Fix Brackets in white or silver			
11118 Smart Fix 60mm Bracket (11200 Set).			
11119 Smart Fix 80mm Bracket (11201 Set).			
11120 Smart Fix 100mm Bracket (11202 Set).			
11121 Smart Fix 120mm Bracket (11203 Set).			
11122 Smart Fix 150mm Bracket (11204 Set).			
11123 Smart Fix 200mm Bracket (11205 Set).			
Square Smart Fix Brackets in white or silver			
11139 Smart Fix 60mm Bracket (11210 Set).			
11140 Smart Fix 80mm Bracket (11211 Set).			
11141 Smart Fix 100mm Bracket (11212 Set).			
11142 Smart Fix 120mm Bracket (11213 Set).			
11143 Smart Fix 150mm Bracket (11214 Set).			
11144 Smart Fix 200mm Bracket (11215 Set).			
11137 Square Smart Fix Bracket Cover.			
Universal Smart Fix Extension Bracket in white or silver			
11154 Universal Smart Fix 120mm.			
11155 Universal Smart Fix 150mm.			
11156 Universal Smart Fix 200mm.			
0722	2mm Allen Key		E
Bending			
Max 2 no. 90° bends or one curve:			
£187.50.			
Angle bends standard radius 30cm.			
Note:			
Autoglide is made-to-measure and cannot be cut down.			
All prices shown exclude VAT			

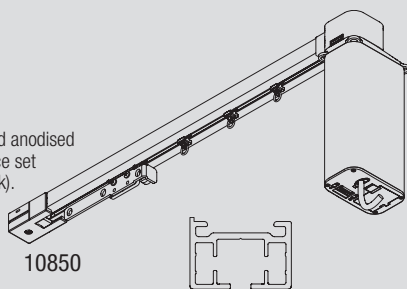


Electric Curtain Track Systems

SG 5600

Electrically Operated
Profile only 10850

Supplied in white, black and anodised silver. Coordinating endpiece set and motor (white/grey/black).



10850



25cm std.

	Price Ctg.
System Prices	C
SG 5600 (9060 motor)	
Ready complete and assembled*	
60mm wave is only applicable for pair stack. *12m-25m: These limits do not allow auto programming mode, touch and go or manual override	

SG 5600 with std roller glider/std Wave® glider (60*/80mm)
Shaded sizes are only applicable to standard roller glider (not standard Wave®)

Length	W/S	W/S	
M	£	M	£
1.5	1593.58	13.5	2444.34
2.0	1628.58	14.0	2479.37
2.5	1663.53	14.5	2514.37
3.0	1698.47	15.0	2549.40
3.5	1733.47	15.5	2584.42
4.0	1768.43	16.0	2619.44
4.5	1803.37	16.5	2654.45
5.0	1838.38	17.0	2689.47
5.5	1873.32	17.5	2724.48
6.0	1908.27	18.0	2759.52
6.5	1954.53	18.5	2794.51
7.0	1989.47	19.0	2829.54
7.5	2024.41	19.5	2864.55
8.0	2059.41	20.0	2899.59
8.5	2094.36	20.5	2934.59
9.0	2129.31	21.0	2969.60
9.5	2164.30	21.5	3004.62
10.0	2199.23	22.0	3039.65
10.5	2234.24	22.5	3074.66
11.0	2269.26	23.0	3109.67
11.5	2304.29	23.5	3144.69
12.0	2339.30	24.0	3179.70
12.5	2374.31	24.5	3214.73
13.0	2409.34	25.0	3249.76

SG 5600 with roller Wave® glider (60*/80mm)

Length	W/S	W/S	
M	£	M	£
1.5	1657.34	13.5	3018.24
2.0	1713.60	14.0	3074.51
2.5	1769.80	14.5	3130.78
3.0	1826.02	15.0	3187.06
3.5	1882.26	15.5	3243.33
4.0	1938.46	16.0	3299.60
4.5	1994.68	16.5	3355.87
5.0	2050.92	17.0	3412.15
5.5	2107.12	17.5	3468.42
6.0	2163.35	18.0	3524.69
6.5	2230.83	18.5	3580.96
7.0	2287.05	19.0	3637.24
7.5	2343.25	19.5	3693.51
8.0	2399.48	20.0	3749.78
8.5	2455.70	20.5	3806.05
9.0	2511.90	21.0	3862.32
9.5	2568.13	21.5	3918.60
10.0	2624.33	22.0	3974.87
10.5	2680.61	22.5	4031.14
11.0	2736.88	23.0	4087.41
11.5	2793.15	23.5	4143.69
12.0	2849.42	24.0	4199.96
12.5	2905.70	24.5	4256.23
13.0	2961.97	25.0	4312.50

SMART by Silent Gliss -
For SG 5600 control via third party control systems, please add the below per system:
11270 Plug in RS 485 motor module, white Add £247.46 per system

**Power supplies not included - see separate associated components prices, page 28.

	Price Ctg.
SG 5600 with radio module, std roller glider/std wave glider (60*/80mm)	C
Length	W/S

M	£	M	£
1.5	1815.34	13.5	2666.06
2.0	1850.27	14.0	2701.08
2.5	1885.20	14.5	2736.09
3.0	1920.18	15.0	2771.10
3.5	1955.17	15.5	2806.13
4.0	1990.12	16.0	2841.14
4.5	2025.08	16.5	2876.17
5.0	2060.04	17.0	2911.17
5.5	2095.01	17.5	2946.20
6.0	2129.95	18.0	2981.21
6.5	2176.22	18.5	3016.24
7.0	2211.16	19.0	3051.23
7.5	2246.13	19.5	3086.27
8.0	2281.10	20.0	3121.28
8.5	2316.05	20.5	3156.29
9.0	2350.99	21.0	3191.32
9.5	2385.97	21.5	3226.32
10.0	2420.93	22.0	3261.35
10.5	2455.96	22.5	3296.36
11.0	2490.96	23.0	3331.38
11.5	2526.00	23.5	3366.40
12.0	2560.99	24.0	3401.41
12.5	2596.02	24.5	3436.43
13.0	2631.03	25.0	3471.45

SG 5600 with radio module and roller wave glider (60*/80mm)

Length	W/S	W/S	
M	£	M	£
1.5	1879.09	13.5	3239.94
2.0	1935.29	14.0	3296.21
2.5	1991.48	14.5	3352.49
3.0	2047.71	15.0	3408.76
3.5	2103.95	15.5	3465.03
4.0	2160.16	16.0	3521.30
4.5	2216.38	16.5	3577.58
5.0	2272.59	17.0	3633.85
5.5	2328.81	17.5	3690.12
6.0	2385.02	18.0	3746.39
6.5	2452.53	18.5	3802.67
7.0	2508.73	19.0	3858.94
7.5	2564.96	19.5	3915.21
8.0	2621.16	20.0	3971.48
8.5	2677.39	20.5	4027.75
9.0	2733.59	21.0	4084.03
9.5	2789.81	21.5	4140.30
10.0	2846.04	22.0	4196.57
10.5	2902.31	22.5	4252.84
11.0	2958.58	23.0	4309.12
11.5	3014.85	23.5	4365.39
12.0	3071.13	24.0	4421.66
12.5	3127.40	24.5	4477.93
13.0	3183.67	25.0	4534.20

5600 Black

Please add a 10% uplift to the White pricing tables.

Note: if a 5600 is ordered in black with one of the following glider types:

- 10840 2C Roller Glider
- 10869 Wave Roller Glider Cord 60mm
- 10852 Wave Roller Glider Cord 80mm

The gliders will be supplied in black as standard.

	Price Ctg.
Standard Accessories	C

- 3004 Clamp
- 9060 Motor, white, grey, black
- 9916 In-line connector
- 10816 Motor cover, white, grey, black
- 10817 Motor case holder, white, grey, black
- 10819 Belt return, white, grey, black
- 10820 Overlap arm, straight, white, black
- 10821 Overlap arm, bent, white, black
- 10822 Master carrier set, white, black
- 10826 Overlap arm support set
- 10837 Pilot runner arm, white, black
- 10838 Pilot runner set, white, black
- 10840 2C Roller glider, white, black
- 10850 Profile, white, silver, black per metre

	Price Ctg.
Standard Accessories	A

- 10815 Cover, white, grey, black
- 10825 Belt
- 10836 Mask pair stack, white, grey, black

	Price Ctg.
Optional Accessories	C

- (Additional charges may apply)
- 3041 Bracket
 - 5118 Wedge for recess profile, white, black
 - 6794 Screw for direct fix
 - 9063 Radio module set for 9940 Radio system, grey, white, black
 - 9960 Move Server Unit
 - 10862 Recess profile, white, black per metre
 - 10863 Recess mask, motor, white, black
 - 10864 Recess mask, belt return, white, black
 - 10865 Mounting support plate
 - 10821L Long overlap arm bent
 - 10822 Master carrier set, white
 - 10831 Connecting bridge
 - 10838 Pilot runner set, white
 - 10844 Wave end stop, motor, grey, white, black
 - 10845 Wave master carrier, white, black single stack 80mm
 - 10852 Wave roller glider cord, black, white (80mm pitch), 6.5mm channel
 - 10856 Wave end stop, belt return, white, grey, black
 - 10869 Wave roller glider cord, white, black (60mm pitch), 6.5mm channel
 - 10886 Wave overlap arm, pilot runner set, white, black
 - 10887 Wave overlap arm set, white, black
 - 10926 Wave glider support
 - 11411 Radio module set for 0450 Radio system, grey, white, black
 - 11412 Power supply 24V DC UL

	Price Ctg.
Optional Accessories	A

- (Additional charges may apply)
- 3832 Twist clamp
 - 3582 Curtain hook, white, black box, 100. Self-service sachets, 25 x 25. Outer, 20,000
 - 6094 Roller glider with hook, 10, 100
 - 6105 Hanger with plate
 - 6107 V-Hanger with plate
 - 6349 Wave @ curtain tape, white, black
 - 6363 Top hemming tape
 - 7002 Profile protector
 - 10075 Lead weight 50 gr/m
 - 10076 Fabric weight
 - 10823 Belt connector arm
 - 10824 Belt connector pin
 - 10854 Wave overlap support arm, white, black
 - 10905 Wave glider cord, white (80mm pitch), 6.5mm channel
 - 10906 Wave glider cord, white (60mm pitch), 6.5mm channel
 - 10924 Wave glider support, white, black
 - 11116 Smart Fix Bracket Cover.
 - 11137 Square Smart Fix Bracket Cover.
 - Smart Fix Brackets in white, black or silver**
 - 11118 Smart Fix 60mm Bracket (11200 Set).
 - 11119 Smart Fix 80mm Bracket (11201 Set).
 - 11120 Smart Fix 100mm Bracket (11202 Set).
 - 11121 Smart Fix 120mm Bracket (11203 Set).
 - 11122 Smart Fix 150mm Bracket (11204 Set).
 - 11123 Smart Fix 200mm Bracket (11205 Set).
 - Square Smart Fix Brackets in white, black or silver**
 - 11139 Smart Fix 60mm Bracket (11210 Set).
 - 11140 Smart Fix 80mm Bracket (11211 Set).
 - 11141 Smart Fix 100mm Bracket (11212 Set).
 - 11142 Smart Fix 120mm Bracket (11213 Set).
 - 11143 Smart Fix 150mm Bracket (11214 Set).
 - 11144 Smart Fix 200mm Bracket (11215 Set).
 - Universal Smart Fix Extension Bracket in white, black or silver**
 - 11154 Universal Smart Fix 120mm.
 - 11155 Universal Smart Fix 150mm.
 - 11156 Universal Smart Fix 200mm.

	Price Ctg.
Recess Profile and Accessories White or Black	C

Charged at the nearest 25cm increment above.
Add to price Per Metre Per Length
White £51.06 £10.37

	Price Ctg.
Colours	E

Other colours special order, see page 73.

	Price Ctg.
Tools	E

- 7426 Notching tool for recess 10862

	Price Ctg.
Bends	C

For each bend add the following to above system price:
Radius/cm Profile 10850
25-99 £177.00
Standard angle bend radius 25cm.
Over 99 £332.00

Note: If using recess profile, price add an additional 20% to the relevant bending charge above. Please note: Minimum radius for 5600 is 25cm. Minimum radius for 5600 with recess profile is 50cm.

	Price Ctg.
Multiple System Operation	C

A wide range of multiple operation methods are available, including low voltage control, radio/remote control and mixed systems. Can also be controlled through a smartphone, tablet or desktop with the Silent Gliss app 'Move' (refer to page 28 for pricing details). Please consult the Silent Gliss catalogue.

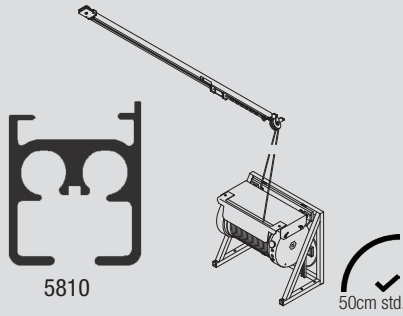
All prices shown exclude VAT



Electric Curtain Track Systems

SG 5800

Electrically Operated



			Price Ctg.				Price Ctg.		
System Prices			C	Optional Accessories			C		
Ready complete and assembled (as far as possible depending on transport requirements).				(Additional charges may apply) 0578 Recess pattress, metal. 0615 Latching switch 6228 Double fixing plate. 5829 2 Hole fixing plate. 5813 Floor mounting frame.					
Length	Price Single Track	Price 2 Parallel Tracks		Colours				E	
M	£	£		Special quotation.					
12	21810.46	30012.72		Bending					
13	22261.33	30914.40		Radius	Each				
14	22675.86	31743.46		cm	£				
15	23090.38	32572.52		32-99	368.50				
16	23504.92	33401.61		99-349	546.00				
17	23919.45	34230.66		Over 350	713.00				
18	24334.02	35059.77		Standard angle bend radius 50cm					
19	24784.82	35961.43		Remote/Multiple System Operation					
20	25199.37	36790.53		Must not be wired in parallel. For information consult Silent Gliss.					
21	25613.91	37619.58							
22	26028.44	38448.64							
23	26442.98	39277.72							
24	26857.52	40106.79							
25	27308.35	41008.51							
26	27722.89	41837.57							
27	28137.42	42666.63							
<p>SG 5800 can cover windows up to 60m if pair stacked. On lengths of this size Silent Gliss advice should be sought but as a guide price for each metre above 27m the following should be added:</p> <p>Single width £388.00 Two tracks in parallel £815.00</p> <p>Track lengths between those specified will be charged at the rate for the nearest metre above.</p> <p>Price includes 6209 Top fix clamps, 5821/22 Wall mounting for motor, 5811 Overlap, 5809 Roller gliders at 5 per metre and where length exceeds 6 metres 6203 Connecting bridge. 0615 plastic switch with recess box. Earth is required.</p>									
Standard Accessories				C					
5806 Pilot Runner.									
5809 Roller glider, 10.									
5810 Silver profile only.									
5824 Endstop.									
5811 Overlap.									
5814 Cable, metre.									
5815 Cord guide return.									
5816 Cord guide.									
5834 Cable connector.									
6203 Connecting bridge.									
6209 Clamp, each, 10.									
<p>All prices shown exclude VAT</p>									



Switches and Controls

SG Control R SG 0450

Radio controlled systems

SG Control L SG 9940

Radio controlled systems

SG SMART by Silent Gliss

For control via third party control systems

SG Control A Battery Operated Blinds

Remote and Wall Plates

All costs for systems indicated in this section are exclusive of curtain/blind systems and need to be added for total cost. On-site wiring costs are also excluded although advisory service is available. To assist choosing the correct equipment please see application chart in the back of the price list.

10949 come as standard with Battery Operated systems. This can not be exchanged/returned for another control.

	Price Ctg.		Price Ctg.		Price Ctg.		Price Ctg.
SG 0450	C	SG 9940	C	0323	£2.35	Battery Controls	A
Radio control system, up to 255 room and blind addresses, individually or simultaneously. Use with mains electric systems (motor types A & B). Low voltage option (motor type C) available on request.		9068	£497.83	11260	£939.05	10949	£53.33
20918	£373.68	9944	£381.73	Gateway		1 Channel Wall Transmitter, White	£78.90
Control Module (motor type A)		Single-channel receiver, non latching		11261	£1129.40	10950	£78.90
20919	£373.68	9945	£345.14	Gateway KNX		2 + 1 Channel Wall Transmitter, White	£78.90
Control Module (motor type B)		Single-channel receiver, latching		11262	£913.67	10951	£78.90
20907	£403.41	9947	£225.56	Expansion Unit		5 + 1 Channel Wall Transmitter, White	£64.30
Control Module (low voltage motor type C)		Control Unit DC 24V		11263	£87.42	10946	£64.30
20913	£309.41	10300	£280.63	Power supply 24V DC 2 Ampere DIN Rail		1 Channel Remote	£78.90
Single-channel wall switch. Available in the following colours:		10300	£280.63	11264	£106.74	10947	£78.90
Antique Brass		Single-channel hand-held remote		Power supply 24V DC 3.8 Ampere DIN Rail		2 + 1 Channel Remote	£78.90
Black Nickel		10302	£280.63	11265	£112.98	10948	£78.90
Chocolate Bronze		5+1 channel hand-held remote		Power supply 24V DC 5 Ampere DIN Rail		6 + 1 Channel Remote	£155.63
Matt Black		10303	£342.03	11266	£208.37	11429	£155.63
Matt White		10+2+1 channel hand-held remote. Inc. timer		Power supply 24V DC 10 Ampere DIN Rail		Single Channel Timer	
Polished Brass		10804	£342.02	11270	£247.45	Fixed switches for mains control	C
Mirror Polish		15+5+1 channel hand-held remote		RS 485 module set white		Switches are available single or in banks as below.	
Brushed Silver		Hand-held remotes are available in White, Silver or Anthracite		11281	£2833.38	Add switches price to price of system.	
20914	£309.41	11412	£75.88	Cabinet up to 8 Shading Device Unit including Circuit Breaker Protection		Switches are designed for recess fixing.	
Eight-channel wall switch. Available in the following colours:		Power supply 24V DC		11282	£3653.82	Non-latching	
Antique Brass		11480	£144.07	Cabinet up to 24 Shading Device Unit including Circuit Breaker Protection		1 Gang Switches	
Black Nickel		1 channel wall switch		11283	£6926.04	0565/W White plastic	£129.67
Chocolate Bronze		11490	£264.27	Cabinet up to 56 Shading Device Unit including Circuit Breaker Protection		2 Gang Switches	
Matt Black		5 channel wall switch		11318	£11.80	0566/W White plastic	£224.47
Matt White		Uplift for integrated 9940 receiver in Series 40 motors	C	4-Pin Connector for 5600 SMART module		3 Gang Switches	
Polished Brass		Add on £247.46 per system for 4960/4970/2350/4760/4770/4780		11319	£11.80	0567/W White plastic	£349.55
Mirror Polish		Add on £317.25 per system for 4880 Uplift for integrated 9940 receiver for systems 2950 or 8960		4-Pin Connector for SMART motor (Room/Control/Side)		4 Gang Switches	
Brushed Silver		Add on £301.79 per system for 2950 Add on £295.50 per system for 8960	E	11320	£17.70	0568/W White plastic	£444.36
20336	£228.42	Engraving of above remotes is available at £54.76 per remote. Delivery: 4 weeks.	C	4-Pin Connector for SMART motor (Motor side)		6 Gang Switches	
Eight channel hand held remote		Move Server Unit		11325		0569/W White plastic	£670.85
		£POA		6-Pin Connector for Gateway and Expansion Unit	E	Latching	
Optional Accessories	C			11269	£126.90	1 Gang Switches	
20917	£26.13			Hand held setting tool for Series 40 and SMART motors (TTPRO)		0615/W White plastic	£70.04
White pattrass box				Labour		2 Gang Switches	
				To fully assemble cabinet with SMART Gateway, expansion unit (if required) and Power Supplies:		0616 White plastic	£94.38
				Up to 8 systems (Labour cost only)		3 Gang Switches	
				£220.00		0617 White plastic	£153.38
				Up to 24 systems (Labour cost only)		4 Gang Switches	
				£220.00		0618 White plastic	£184.45
				Up to 56 systems (Labour cost only)		6 Gang Switches	
				£220.00		0619 White plastic	£255.62
				SMART by Silent Gliss motors for use with Silent Gliss Gateway and associated components – Add on £247.46 per system for 4960/4970/2350/4760/4770/4780/5600 Add on £317.25 per system for 4880	C	Extras	
						9959 Relay	£188.75
						9953 Volt free interface	£244.88
						Tools	E
						11269 Handheld setting tool for Series 40 and SMART Motors TTPRO	

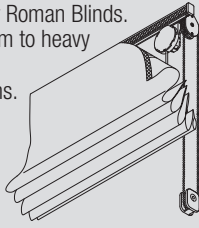
All prices shown exclude VAT



Roman Blind Systems

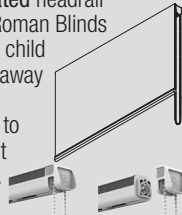
SG 2120

Chain operated headrail system for Roman Blinds. For medium to heavy weight applications.



SG 2305

Chain operated headrail system for Roman Blinds with integral child safety breakaway mechanism. For medium to heavy weight applications.



	Price Ctg.
SG 2120 System supplied ready assembled	A
Total max. curtain weight 8kg incl. any weighting. Maximum width: 4.0m Maximum drop: 6.0m	
System width	
cms £	
100	216.83
125	249.62
150	291.64
175	334.62
200	367.41
225	409.64
250	451.93
275	484.75
300	527.04
325	569.35
350	617.65
375	654.01
400	696.31
Above prices are based on standard accessories detailed below.	

	Price Ctg.
Standard Accessories	A
2049 Gear drive, each, 10, 100. 2081 Take-up reel, each, 10. 2059 Safety clip, 10. 2111 Hexagonal bar, 6m length, outer of 50 lengths. 2163 Flat drawing tape, per m, 200m 2211 Touch and close headrail, 6m, length. 2179 End cover, each, 10. 3630 Universal bracket, each, 10, 100.	
4845 Metal bead chain, 125m reel. 2865 Twin chain connector, each.	C
10731 Cord retainer.	E

	Price Ctg.
Optional Accessories (Additional Charges May Apply)	A
0549 Touch and close pencil pleat tape for Austrian Blinds. 2091 Endcover (for 2135) 3164 Breakaway hook and latch set. 3165 Breakaway ring set (soft fold). 3166 Breakaway ring tape (soft fold). 2006 Bottom weight bar, 4m. 2072A Universal joint, each. 2135 Steel rod, 3m lengths. 2164/2164T Ring tape, 50m. 2539 Touch and close pile section, 25m, 100m. 3069 Breakaway rod cover (hard fold). 11116 Smart Fix Bracket Cover. 11137 Square Smart Fix Bracket Cover.	
Smart Fix Brackets in white or silver	
11118 Smart Fix 60mm Bracket (11200 Set). 11119 Smart Fix 80mm Bracket (11201 Set). 11120 Smart Fix 100mm Bracket (11202 Set). 11121 Smart Fix 120mm Bracket (11203 Set). 11122 Smart Fix 150mm Bracket (11204 Set). 11123 Smart Fix 200mm Bracket (11205 Set).	
Square Smart Fix Brackets in white or silver	
11139 Smart Fix 60mm Bracket (11210 Set). 11140 Smart Fix 80mm Bracket (11211 Set). 11141 Smart Fix 100mm Bracket (11212 Set). 11142 Smart Fix 120mm Bracket (11213 Set). 11143 Smart Fix 150mm Bracket (11214 Set). 11144 Smart Fix 200mm Bracket (11215 Set).	
3603 Top fix brackets, each, 10, 100. 3655 Long universal bracket. 3660 Extra long universal bracket. 4845BR Metal bead chain, brass.	

	Price Ctg.
Tools	E
0679 Connector tongs.	

	Price Ctg.
SG 2305 System	A
Supplied made to measure, ready assembled. Maximum width: 3.0m Maximum drop: 3.4m	
System width	White Black
cms	£ £
75	67.61 81.13
100	82.26 98.71
125	88.79 106.54
150	101.75 122.10
175	108.28 129.93
200	121.23 145.47
225	135.90 163.08
250	142.42 171.22
275	155.39 186.46
300	161.92 194.30
Above prices are based on standard accessories detailed below.	

Please note:
Instead of standard silver metal chain (on white systems) corresponding white plastic chain can be supplied at no extra cost (subject to availability).

	Price Ctg.
Standard Accessories	A
2301 Aluminium headrail white, black (5.8m). 2309 Hex bar (5m). 2308 Spool with lift cord, white, black. 2307 Gear/Breakaway set (4:1), white, black. 2302 Clip bracket, white, black. 2311 Metal chain, silver, black (150m reel).	

	Price Ctg.
Optional Accessories (Additional Charges May Apply)	A
2091 Endcover (for 2135) 2310 Plastic operating chain (250m reel), white. 2311AB Metal chain, antique brass (150m reel) 2311BL Metal chain, pewter (150m reel) 2311GD Metal chain, gold (150m reel) 2312 Bead chain joiner. 2346 Clamp bracket. 3164 Breakaway hook and latch set. 3165 Breakaway ring set (soft fold). 3166 Breakaway ring tape (soft fold). 2005 Bottom bar. 2006 Bottom bar. 2135 Steel rod, 3m lengths. 2164/2164T Ring tape, 50m. 2539 Touch and close pile section, 25m, 100m. 3069 Breakaway rod cover (hard fold). 11116 Smart Fix Bracket Cover. 11137 Square Smart Fix Bracket Cover. Smart Fix Brackets in white, black or silver 11118 Smart Fix 60mm Bracket (11200 Set). 11119 Smart Fix 80mm Bracket (11201 Set). 11120 Smart Fix 100mm Bracket (11202 Set). 11121 Smart Fix 120mm Bracket (11203 Set). 11122 Smart Fix 150mm Bracket (11204 Set). 11123 Smart Fix 200mm Bracket (11205 Set). Square Smart Fix Brackets in white, black or silver 11139 Smart Fix 60mm Bracket (11210 Set). 11140 Smart Fix 80mm Bracket (11211 Set). 11141 Smart Fix 100mm Bracket (11212 Set). 11142 Smart Fix 120mm Bracket (11213 Set). 11143 Smart Fix 150mm Bracket (11214 Set). 11144 Smart Fix 200mm Bracket (11215 Set).	

	Price Ctg.
0600 Connector tongs for metal chain. 7223 Tongs for connector 2865 10731 Cord retainer	E

All prices shown exclude VAT

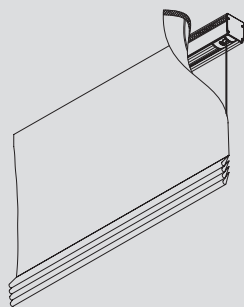


Roman Blind Systems

SG 2345

Battery Operated

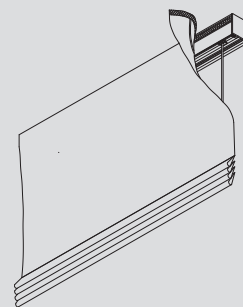
Battery operated radio controlled for Roman Blinds



SG 2350

Electrically Operated

For medium/heavy Roman Blinds.



	Price Ctg.
Battery operated SG 2345 supplied ready assembled	C
Total maximum curtain weight 2.5kg. Maximum width 6 metres. Maximum drop 6 metres, maximum total surface area 36m ² depending on curtain weight. Minimum width 60cm. Hardware only cost.	
SYSTEM	
WIDTHS (cms)	£
100	572.46
125	598.96
150	631.77
175	658.19
200	689.48
225	725.05
250	748.76
275	784.25
300	807.97
325	834.41
350	867.16
375	893.62
400	924.99
425	960.47
450	984.20
475	1019.67
500	1043.40
525	1069.90
550	1102.68
575	1129.11
600	1152.81
Above prices are based on Standard Accessories detailed below.	
Standard Accessories	A
1148C No.8 Cross Head Woodscrew	
2216 Cord	
2221 Hook Tape	
2351 Profile White for system 2345	
2352 Profile silver for system 2345	
10949 1 Channel Wall Transmitter White	
2353 Motor cover for system 2345	
2354 Cover for system 2345	
2357 Pin for system 2345	
2358 Shell for system 2345	
2359 Support for system 2345	
2361 Adaptor for system 2345	
2363 Wall/Ceiling Bracket	
2368 Motor Adaptor Plate for SG2345	
3003 Clamp	
11071 Motor Drive for SG2345	
11074 Tube adaptor for SG2345	
11076 1.2nm Motor for 2345	
11077 Battery Box for Motor 11076	
11085 Battery Box Holder	
11099 Battery for 2345	
All prices shown exclude VAT	

	Price Ctg.
Optional Accessories	A
(Additional Charges May Apply)	
3069 Breakaway Rod Cover	
3164 Breakaway Hook and latch set	
3165 Breakaway ring set (soft fold)	
3166 Breakaway ring tape (soft fold)	
2135 Steel Rod	
3069 Breakaway rod cover (hard fold)	
2005 Bottom Bar	
2006 Weight bar	
10946 Radio hand-held transmitter 1 channel	
10947 Radio hand-held transmitter 2 + 1 channel	
10948 Radio hand-held transmitter 6 + 1 channel	
10950 Radio wall transmitter 2 channel	
10951 Radio wall transmitter 5 + 1 channel	
11429 Timer White	
Smart Fix Brackets in white, black or silver	
11118 Smart Fix 60mm Bracket (11200 Set).	
11119 Smart Fix 80mm Bracket (11201 Set).	
11120 Smart Fix 100mm Bracket (11202 Set).	
11121 Smart Fix 120mm Bracket (11203 Set).	
11122 Smart Fix 150mm Bracket (11204 Set).	
11123 Smart Fix 200mm Bracket (11205 Set).	
Square Smart Fix Brackets in white, black or silver	
11139 Smart Fix 60mm Bracket (11210 Set).	
11140 Smart Fix 80mm Bracket (11211 Set).	
11141 Smart Fix 100mm Bracket (11212 Set).	
11142 Smart Fix 120mm Bracket (11213 Set).	
11143 Smart Fix 150mm Bracket (11214 Set).	
11144 Smart Fix 200mm Bracket (11215 Set).	
Smart Fix Bracket Covers	
11116 Smart Fix Bracket Cover.	
11137 Square Smart Fix Bracket Cover.	
Universal Smart Fix Extension Bracket in white, black or silver	
11154 Universal Smart Fix 120mm.	
11155 Universal Smart Fix 150mm.	
11156 Universal Smart Fix 200mm.	
2362 Wire Holder	
2521 Bracket	
8235 Wire Base Short	
8236 Wire Base Long	
8237 Wire Holder	
8249 Locking ring	
	C

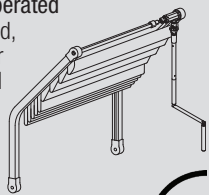
	Price Ctg.
Electrically operated 2350 for straight vertically-hung Austrian, Roman and Festoon Blinds	C
Total maximum curtain weight 15kg. Maximum width 6 metres. Maximum drop 6 metres, maximum total surface area 36m ² depending on curtain weight. Hardware cost only.	
SYSTEM	
WIDTHS (cms)	£
100	963.05
150	1009.85
200	1056.74
250	1103.61
300	1150.48
350	1197.31
400	1244.21
450	1291.06
500	1337.89
550	1384.77
600	1431.61
Optional Accessories	A
(Additional Charges May Apply)	
3164 Breakaway hook and latch set.	
3165 Breakaway ring set (soft fold).	
3166 Breakaway ring tape (soft fold).	
2005 Bottom bar	
2006 Bottom bar 1m, 5m	
2109 Eyelet	
2144 Cross Rail	
2164 Ring Tape	
2539 Touch and close pile section, 25m, 100m	
2616 Bracket (40.8mm)	
3069 Breakaway rod cover (hard fold).	
11116 Smart Fix Bracket Cover.	
11137 Square Smart Fix Bracket Cover.	
Smart Fix Brackets in white, black or silver	
11118 Smart Fix 60mm Bracket (11200 Set).	
11119 Smart Fix 80mm Bracket (11201 Set).	
11120 Smart Fix 100mm Bracket (11202 Set).	
11121 Smart Fix 120mm Bracket (11203 Set).	
11122 Smart Fix 150mm Bracket (11204 Set).	
11123 Smart Fix 200mm Bracket (11205 Set).	
Square Smart Fix Brackets in white, black or silver	
11139 Smart Fix 60mm Bracket (11210 Set).	
11140 Smart Fix 80mm Bracket (11211 Set).	
11141 Smart Fix 100mm Bracket (11212 Set).	
11142 Smart Fix 120mm Bracket (11213 Set).	
11143 Smart Fix 150mm Bracket (11214 Set).	
11144 Smart Fix 200mm Bracket (11215 Set).	
2363 Wall/ceiling bracket	
2521 Bracket (49.6mm)	
	C

	Price Ctg.
Remote/Multiple System Operation	C
For system operation possibilities refer to table on page 91	
Side-guide option available at an additional cost of £81.08.	C
System Control Options	C
Radio control standard option is with System 0450, see page 28.	
Series 40 motors – With integrated radio receiver for operation with SG wireless system 9940 – add on £247.46 per system, see page 28. NOTE: 24v Series 40 Motors are not supplied with power supplies (transformers) as standard. They must be ordered separately, see page 28.	
SMART by Silent Gliss motors – for use with Silent Gliss Gateway and associated components – add on £247.46 per system, see page 28.	

Skylight Shading Systems

SG 2190

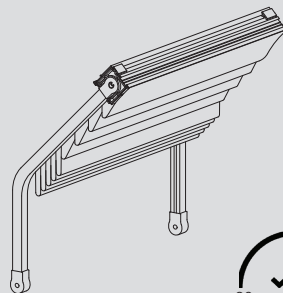
Crank Operated
For curved,
sloping or
horizontal
Roman
Blinds.



20cm std.

SG 2195

Electrically
Operated
For curved, sloping or
horizontal Roman blinds.



20cm std.

Made-to-measure Roman
blinds for system 2190
and 2195

SG 2190

Crank operated

Single System:

Max. width: 2.5m. Max. drop: 6m.

Double System:

Max. width: 3m. Max. drop: 6m.

These maximum sizes depend on the shape of system required – please check with Silent Gliss.

Max. fabric weight for both single/ double system: 10kg.

Prices below are for hardware only – for complete system cost please add price for fabric.

Single System Prices

Silver or white

Width > Drop (cms)	Up to 100cm	101cm-150cm
150	1066.86	1131.19
200	1183.10	1247.46
250	1299.38	1363.74
300	1415.71	1480.01
350	1532.05	1596.38
400	1648.34	1712.71
450	1764.66	1828.99
500	1880.95	1945.25
550	1997.17	2022.29
600	2113.46	2177.84

Width > Drop (cms)	151cm-200cm	201cm-250cm
150	1195.53	1259.87
200	1311.83	1376.18
250	1428.12	1492.51
300	1544.47	1608.79
350	1660.76	1725.03
400	1777.01	1841.41
450	1893.30	1957.66
500	2009.57	2073.97
550	2125.97	2190.31
600	2242.19	2306.58

Double System Prices

Silver or white

If under 2500mm: Please add 30% to single system prices above.

Width > Drop (cms)	251cm-300cm	Width > Drop (cms)	251cm-300cm
150	1639.33	400	2359.35
200	1783.48	450	2503.37
250	1927.46	500	2647.39
300	2071.39	550	2791.33
350	2215.46	600	2935.44

Components

3825 Clamp, 10, 100.

2189 Gear

2230 Endpiece, white or grey.

2759 Rod.

5130 Belt.

2242 Connector.

2746 Detachable crank handle.

2156 Drive shaft.

3181 Bracket (single clamp)

2139 Bracket (double clamp)

2248 Cross rod.

Bending

Add the following to above system price:

Radius/cm	Single System	Double System
25-99	£348.50	£698.50
Over 99	£662.50	£1325.50

Standard angle radius 20cm.

All prices shown
exclude VAT

SG 2195 Electrically Operated

Total max. curtain weight 25kg. (including cross profiles). Max. width: 3m. Max. drop: 6m.
Max. total surface area 15m² depending on curtain weight.

System 2195 is also available as a double and treble system with 2190 as a slave system.
Max width achievable with double system: 6m, with treble system: 6m, other max. data as above.

Profile 2191 can be bent to a 20cm min. radius.

Supplied complete, hardware only, partially assembled including recessed switch and cross rods.

Profile as standard in silver or white. For complete system cost please add price for fabric.

See page 91 for Radio Control options.

Single System Prices

Width > Drop (cms)	Up to 100cms	101cms-150cms	151cms-200cms	201cms-250cms	251cms-300cms
150	2888.09	2955.50	3022.96	3090.39	3157.80
200	3009.87	3077.37	3144.80	3212.25	3279.76
250	3131.78	3199.19	3266.61	3334.01	3401.48
300	3253.63	3320.99	3388.46	3455.89	3523.30
350	3375.46	3442.87	3510.29	3577.71	3645.14
400	3497.22	3564.68	3632.19	3699.58	3767.01
450	3619.09	3686.56	3754.00	3821.35	3888.80
500	3740.91	3808.36	3875.82	3943.23	4010.70
550	3862.80	3930.22	3997.66	4065.06	4132.57
600	3984.61	4052.04	4119.52	4186.93	4254.38

Double System Prices

Width > Drop (cms)	Up to 200cms	201 cms-300 cms	301 cms-400cms	401cms-600cms
150	3606.59	3738.47	3870.27	4133.85
200	3844.77	3976.49	4108.42	4372.00
250	4082.92	4214.73	4346.57	4610.19
300	4321.09	4452.96	4584.70	4848.29
350	4559.17	4691.02	4822.81	5086.36
400	4797.35	4929.18	5060.92	5324.56
450	5035.43	5167.27	5299.07	5562.71
500	5273.58	5405.42	5537.22	5800.84
550	5511.71	5643.57	5775.31	6038.89
600	5749.92	5881.70	6013.45	6277.06

Treble System Prices

Width > Drop (cms)	Up to 300cms	301 cms-400 cms	401cms-500cms	501cms-600cms
150	4129.07	4325.21	4521.40	4619.53
200	4483.40	4679.67	4875.84	4973.88
250	4837.91	5034.17	5230.28	5328.34
300	5192.29	5388.45	5584.77	5682.79
350	5546.76	5742.92	5939.15	6037.26
400	5901.15	6097.36	6293.55	6391.62
450	6255.67	6451.80	6648.00	6746.06
500	6610.01	6806.27	7002.42	7100.51
550	6964.51	7160.72	7356.88	7454.93
600	7318.88	7515.08	7711.32	7809.35

Components

3825 Clamp, 10, 100

2230 Set, white or grey

5130 Belt

2160 Motor

2759 Cross Rod

2242 Connector

2156 Drive Shaft

2248 Cross Rod

2145 Telescopic glider

3181 Bracket (single clamp) silver or white

2139 Bracket (double clamp) silver or white

Bending

Add the following to above system price:

Radius/cm	Single System	Double System	Treble System
25-99	£348.50	£698.50	£1047.50
over 99	£662.50	£1325.50	£1999.50

Standard angle radius 20cm.

Fabric for curved, sloping or horizontal Skylight Systems 2190/2195.

Made-to-measure Roman Blind for Systems 2190/2195.

Prices for made-up-blind, without hardware, per square metre.

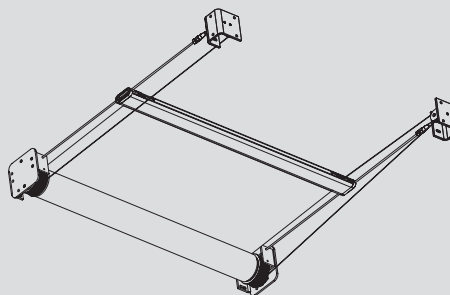
Aluscreen Futura	£331.25 m ²
Colorama Acoustic	£246.98 m ²
Colorama Acoustic Multicolour	£246.98 m ²
Colorama Dimout	£331.25 m ²
Colorama 1	£207.76 m ²
Colorama 1 Alu	£286.73 m ²
Colorama 1 Bioactive	£246.98 m ²
Colorama 1 Eco	£246.98 m ²
Colorama 1 Multicolour	£246.98 m ²
Colorama 2	£286.73 m ²
Colorama 2 Bioactive	£286.73 m ²
Colorama 2 Eco	£286.73 m ²
Colorama 2 Multicolour	£286.73 m ²
Leviso	£246.98 m ²
Leviso Light	£246.98 m ²
Multiscreen 5%	£308.99 m ²
Multiscreen 10%	£308.99 m ²
Oscurante	£246.98 m ²
Reflex	£227.37 m ²
Triscreen 1%	£308.99 m ²
Triscreen 3%	£308.99 m ²
Triscreen 5%	£308.99 m ²
Versascreen 5%	£308.99 m ²
Versascreen 10%	£308.99 m ²



Skylight Shading Systems

SG 8600

Electrically Operated
tension roller blind.



SG 8600

Electrically operated tensioned roller blind system.
Max. width: 4m. Max. drop: 6.5m

SG 8600 with Basicscreen 5% / Multiscreen 5% / Versascreen 5%

Price Category 'C'

Width Drop	110cm	150cm	200cm	250cm	300cm	350cm	400cm	Width Drop
100	3562.58	3597.26	3846.42	3881.61	4122.72	4166.04	4209.35	100
150	3599.28	3647.25	3913.09	3964.92	4222.74	4300.98	4342.66	150
200	3635.91	3697.22	3979.73	4048.27	4322.65	4399.37	4475.98	200
250	3672.58	3747.25	4046.39	4131.55	4422.69	4516.01	4609.34	250
300	3709.25	3797.19	4113.04	4214.89	4522.65	4632.68	4742.65	300
350	3905.17	4006.49	4330.90	4457.58	4785.95	4908.53	5035.19	350
400	3941.81	4056.48	4397.54	4540.88	4922.54	5025.20	5168.53	400
450	3978.46	4106.46	4464.20	4624.22	4981.89	5141.87	5301.84	450
500	4015.14	4156.48	4530.89	4707.55	5081.84	5258.50		500
550	4051.79	4206.46	4597.54	4790.86	5181.84	5375.15		550
600	4088.48	4256.47	4664.22	4874.21	5281.79			600
650	4125.13	4306.42	4730.87	4957.50	5381.81			650

SG 8600 with Aluscreen Futura / Safescreen

Price Category C

Width Drop	110cm	150cm	200cm	250cm	300cm	350cm	400cm	Width Drop
100	3600.68	3649.21	3915.63	3968.56	4226.57	4287.59	4347.83	100
150	3651.97	3719.10	4008.91	4084.70	4366.44	4450.44	4534.39	150
200	3703.31	3789.09	4102.19	4201.35	4506.40	4613.67	4720.94	200
250	3754.60	3899.72	4195.47	4277.29	4646.28	4776.90	4907.54	250
300	3805.87	3929.01	4288.75	4434.56	4786.24	4939.94	5094.06	300
350	4016.40	4158.25	4533.25	4710.46	5085.39	5263.05	5439.86	350
400	4067.73	4228.23	4626.92	4827.05	5225.32	5425.85	5626.41	400
450	4119.05	4298.16	4719.81	4943.63	5365.26	5589.08	5812.98	450
500	4170.36	4368.08	4813.08	5060.29	5505.15	5752.36		500
550	4221.65	4438.10	4906.36	5176.86	5645.10	5915.60		550
600	4313.61	4508.03	4999.63	5293.50	5784.99			600
650	4324.26	4577.96	5092.88	5410.08	5924.91			650

Motor is fitted as standard to the left. Should you require a right hand motor there will be an additional cost of £254.16.

Profiles are standard in white (RAL 9016). Alternative standard RAL colours are available at a cost of £380.54 (per system, nett, Cat E).

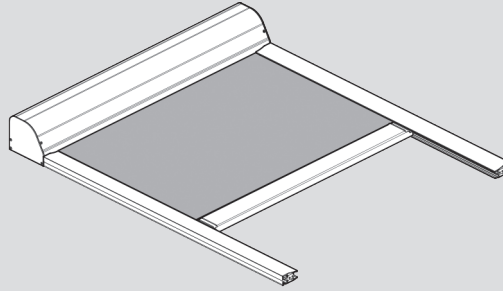
All prices shown exclude VAT



Skylight Shading Systems

SG 8640

Electrically Operated
Tensioned roller blind with
fabric edge retention.



SG 8640

Minimum width 650mm. Max width 3000mm
Maximum length 4500mm. Systems over 3000mm length use a larger barrel & headbox.
Please see catalogue for sizing limitations.
*Width restrictions apply, see below.

Price Group 1 – Nox, Mercurio, Multiscreen 1% / 5% and Versascreen 1% / 5%

Price Category 'C'

Width Drop	100cm	150cm	200cm	250cm	300cm	Width Drop
150	4679.84	5081.56	5313.90	5691.62	5923.95	150
200	4980.12	5459.3	5769.06	6224.23	6534.01	200
250	5135.01	5691.62	6078.84	6611.47	6998.66	250
300	5289.89	5923.95	6388.61	6998.66	7463.34	300
350	5590.18	6301.67	6843.78	7531.27	8073.38	350
400	5745.07	6534.01	7153.55	7918.51	8538.03	400
450	5899.97	6766.33	7463.34	8305.71	9002.71	450

Price Group 2 – Aluscreen Futura and Moon

Width Drop	100cm	150cm	200cm	250cm	300cm	Width Drop
150	4770.33	5217.30	5494.85	5917.84	6195.41	150
200	5100.76	5640.25	6010.35	6525.83	7451.08	200
250	5262.29	5917.84	6380.44	6988.47	7451.08	250
300	5470.86	6195.41	6750.54	7451.08	8006.22	300
350	5801.31	6618.37	7266.02	8059.08	8706.75	350
400	5986.34	6895.94	7636.25	8521.71	9261.89	400
450	6171.41	7173.50	8006.22	8984.32	9817.04	450

3.0 x 3.0m max in any orientation.

*Max 2.5m wide x 4.5m long / 11m² greater than 30° from vertical.

White Hardware available as standard (RAL 9016 white). Alternative standard RAL colours are available at a cost of £480.54 (per system, nett, Cat E).

For use with remote, please see page 28 for external receivers and remote control options. Details on compatible receivers and remotes can be found on page 91–92.

All prices shown exclude VAT

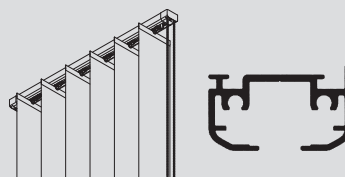


Vertical Blind Systems

Vertical Waves by Eva Marmbrandt

SG 2810

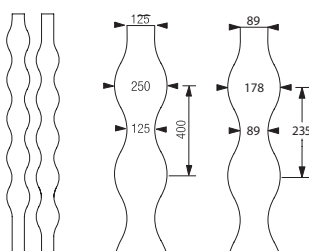
Profile only 2601 available in 6 metre lengths.
Headrail available in silver and white.



75cm std.

Suitable for use on systems 2810, 2900, 2950. Not applicable for sloping systems.

Andrea



Vertical Waves
Fabric Price Group 2
Made in Multi Visio and Multi Shadow

Minimum and maximum system length as per individual system information.
Minimum louvre drop 104cm (127mm)
Maximum louvre drop 423cm (127mm)

Minimum louvre drop 110cm (89mm)
Maximum louvre drop 364cm (89mm)

Minimum distance from wall 140mm
Can be bent to large radius >6m.

Available as 89mm or 127mm louvres.

3D Vertical Wave
Fabric Price Group 3 + 20% + Set up charge
Made in Multi Visio
Drop must be between 2.18m-2.97m

SG 2810

Track and Accessories only

Maximum system width 5m (127mm) or 3.8m (89mm).

For guidance the following number of louvres per metre should be calculated:
127mm/5" 10/metre
89mm/3 1/2" 13/metre

Track system only complete, assembled, ready to hang.

Hardware only: in silver or white, no fabrics. Excluding bottom weights and link chain but including Top clips and 2616 bracket clamps. Operating chain 150cm standard. Wall fix brackets extra. Prices given are for 127mm/5" louvres. For 89mm/3 1/2" louvres add 15%.

		Price Ctg.
Width up to cm		C
	£	
60	126.88	
80	150.39	
100	173.91	
120	197.44	
140	220.90	
160	244.38	
180	267.83	
200	291.33	
220	314.83	
240	338.35	
260	361.69	
280	385.26	
300	408.77	
320	432.23	
340	455.75	
360	479.23	
380	502.66	
400	526.17	
420	549.69	
440	573.22	
460	596.72	
480	620.26	
500	643.81	

Standard Accessories

2601 Profile only, silver or white.
2604 Guide.
2605 Top clip 127mm white.
2608 Endstop for 2601.
2610 Endstop.
2611 Stopper.
2616 Bracket.
2620 Pilot runner.
2623 Rotation element (123mm).
2625 Rotation element (89mm).
2813 Top clip 89mm white.
2865 Bead chain connector.
2872 Plastic operating chain.
10731 Cord tidy

		Price Ctg.
Optional Accessories		C
(Additional Charges May Apply)		
2471 Bottom weight 127mm.		
2473 Bottom weight 89mm.		
2479 Louvre connecting chain 127mm.		
2481 Louvre connecting chain 89mm.		
2606 Top clip 127mm (modified).		
2607 Top clip 89mm (modified).		
2614 Recess profile.		
2615 Recess profile.		
2618 Shaft.		
2624 Adjustment element (101mm).		
2824 Spacer (65mm).		
5118 Wedge.		
2872 Operating chain black		
Smart Fix Bracket Covers		A
11116 Smart Fix Bracket Cover.		
11137 Square Smart Fix Bracket Cover.		
Smart Fix Brackets in white, black or silver		
11119 Smart Fix 80mm Bracket (11201 Set).		
11120 Smart Fix 100mm Bracket (11202 Set).		
11121 Smart Fix 120mm Bracket (11203 Set).		
11122 Smart Fix 150mm Bracket (11204 Set).		
11123 Smart Fix 200mm Bracket (11205 Set).		
Square Smart Fix Brackets in white, black or silver		
11140 Smart Fix 80mm Bracket (11211 Set).		
11141 Smart Fix 100mm Bracket (11212 Set).		
11142 Smart Fix 120mm Bracket (11213 Set).		
11143 Smart Fix 150mm Bracket (11214 Set).		
11144 Smart Fix 200mm Bracket (11215 Set).		
Bends		25%
Max trade discount		
Radius/cm	Profile 2601	
75	£106.50	
Standard angle bend radius		
Over 75	£219.00	
*3D Vertical Waves		E
£557.70 set up charge.		
Please add to assembled prices		
Made in Multi Visio		
127mm Andrea Design only.		
Printing Information		
All RAL colours applicable (except white, pearl and fluorescent colours).		
Height 218cm to 297cm		
5 shape louvre and 6 shape louvre.		
Fabric price categories		
For SG 2810 complete with fabrics (see tables over)		
Price Group 1		
Element		
Function		
Multi Shadow		
Multi Visio		
Price Group 2		
Alutex		
Colorama 2		
Mercurio		
Multiscreen 5%		
Versascreen 1%		
Versascreen 2%		
Versascreen 5%		
Versascreen 10%		
Vertical Wave (Multi Visio, Multi shadow)		
Price Group 3		
Colorama 2 Bioactive		
Moon		
Reflex		
3D Vertical Wave (Multi Visio)* + 20% + Set up charge		
All fabrics are available in 89mm and 127mm louvres (89mm add 15%).		
All above fabrics are FR.		

All prices shown exclude VAT



SG 2810 complete with fabric

The prices below comprise complete system, silver or white ready-to-hang, top fix, single or pair stack with fabric choice in 127mm/5" louvres (see fabric price categories). Includes bottom weights and bottom link cord to both sides. Wall fix brackets extra. For 89mm/3 1/2" louvres add 15%. If sizes lie between the measurements shown, the price for the next larger will apply. Set up costs apply for 3D vertical waves.

Price Category C

Width cm	UP TO 60			UP TO 80			UP TO 100			UP TO 120		
	1	2	3	1	2	3	1	2	3	1	2	3
Drop cm												
60	179.20	201.37	225.26	220.15	249.59	281.51	261.05	297.88	337.79	301.93	346.13	394.04
80	187.25	216.71	248.58	230.83	270.07	312.60	274.36	323.43	376.60	317.95	376.84	440.64
100	195.20	231.98	271.88	241.44	290.52	343.69	287.63	349.06	414.65	333.90	407.55	487.28
120	203.21	247.35	295.21	252.11	310.98	374.75	300.96	374.60	454.37	349.85	438.23	533.93
140	211.18	262.73	318.56	262.73	331.43	405.92	314.23	400.16	493.27	365.77	468.85	580.63
160	219.14	278.04	341.90	273.30	351.90	436.97	327.56	425.72	532.09	381.73	499.56	627.26
180	227.14	293.39	365.14	283.96	372.25	468.09	340.83	451.31	570.94	397.72	530.21	673.88
200	235.08	308.75	388.50	294.56	392.81	499.19	354.17	476.80	609.85	413.75	560.97	720.52
220	243.05	324.04	411.84	305.26	413.27	530.23	367.46	502.45	648.72	429.63	591.63	767.12
240	251.05	339.48	435.21	315.94	433.73	561.37	380.75	528.04	687.65	445.53	622.28	813.79
260	258.99	354.81	458.46	326.52	454.18	592.49	394.06	553.60	726.52	461.49	652.99	860.47
280	267.02	370.07	481.80	337.12	474.58	623.62	407.33	579.17	765.36	477.50	683.69	907.08
300	274.96	385.48	505.14	347.82	495.03	654.72	420.64	604.74	804.18	493.49	714.39	953.78
320	282.96	400.78	528.52	358.50	515.53	685.71	433.92	630.29	843.11	509.44	745.03	1000.44
340	290.97	416.09	551.77	369.12	535.97	716.85	447.24	655.83	881.92	525.39	775.66	1047.08
360	298.92	431.48	575.08	379.79	556.42	747.95	460.53	681.44	920.86	541.32	806.42	1093.74
380	306.93	446.82	598.43	390.33	576.86	779.06	473.84	706.98	959.67	557.33	837.15	1140.34
400	314.86	462.16	621.71	400.99	597.32	810.17	487.15	732.57	998.55	573.27	867.75	1186.94

Width cm	UP TO 140			UP TO 160			UP TO 180			UP TO 200		
	1	2	3	1	2	3	1	2	3	1	2	3
Drop cm												
60	342.88	394.40	450.26	383.75	442.69	506.49	424.70	491.00	562.78	465.62	539.22	619.04
80	361.49	430.16	504.70	405.10	483.59	568.70	448.61	536.92	632.74	492.26	590.42	696.79
100	380.17	466.11	559.10	426.33	524.54	630.87	472.58	583.00	702.70	518.75	641.50	774.51
120	398.74	501.81	613.50	447.62	565.47	693.13	496.50	629.06	772.66	545.37	692.67	852.27
140	417.31	537.57	667.87	468.86	606.33	755.29	520.40	675.11	842.59	572.02	743.82	930.02
160	435.99	573.45	722.34	490.19	647.24	817.45	544.36	721.13	912.66	598.64	794.97	1007.69
180	454.54	609.21	776.78	511.46	688.18	879.67	568.34	767.08	982.59	625.22	846.06	1085.41
200	473.19	645.03	831.22	532.73	729.07	941.86	592.24	813.15	1052.55	651.82	897.17	1163.23
220	491.81	680.83	885.60	554.05	769.98	1004.05	616.14	859.20	1122.53	678.36	948.39	1240.94
240	510.42	716.58	940.03	575.34	810.97	1066.28	640.16	905.26	1192.43	704.95	999.51	1318.72
260	529.07	752.42	994.39	596.58	851.83	1128.44	664.07	951.30	1262.44	731.55	1050.62	1396.47
280	547.68	788.22	1048.88	617.83	892.69	1190.65	687.96	997.27	1332.39	758.20	1101.76	1474.18
300	566.31	824.02	1103.29	639.07	933.60	1252.82	711.94	1043.31	1402.32	784.78	1152.90	1551.90
320	584.96	859.85	1157.68	660.35	974.53	1315.03	735.89	1089.36	1472.37	811.31	1204.12	1629.67
340	603.50	895.58	1220.73	681.72	1015.55	1377.26	759.88	1135.37	1542.31	837.98	1255.28	1707.45
360	622.15	931.44	1266.54	702.97	1056.39	1439.44	783.80	1181.44	1612.30	864.58	1306.33	1785.15
380	640.76	967.24	1320.96	724.27	1097.30	1501.63	807.71	1227.35	1682.23	891.22	1357.53	1862.88
400	659.43	1003.05	1375.36	745.50	1138.23	1563.78	831.63	1273.41	1752.20	917.76	1408.67	1884.07

Width cm	UP TO 220			UP TO 240			UP TO 260			UP TO 280		
	1	2	3	1	2	3	1	2	3	1	2	3
Drop cm												
60	506.47	587.51	675.28	547.35	635.76	731.50	588.33	684.03	787.73	629.22	732.31	844.03
80	535.81	643.74	760.82	579.36	697.13	824.83	622.82	750.51	888.83	666.51	803.87	952.89
100	565.00	700.01	846.26	611.28	758.50	918.04	657.44	817.04	989.82	703.76	875.49	1061.73
120	594.28	756.27	931.84	643.16	819.90	1011.39	692.10	883.52	1091.01	740.93	947.08	1170.57
140	623.56	812.53	1017.34	675.11	881.24	1104.67	726.64	949.98	1192.01	778.17	1018.72	1279.37
160	652.77	868.77	1102.85	706.98	942.62	1197.95	761.22	1016.41	1293.07	815.42	1090.32	1388.23
180	682.05	925.06	1188.34	738.93	1003.95	1291.27	795.81	1082.92	1394.14	852.62	1161.93	1497.08
200	711.31	981.32	1273.93	770.84	1065.36	1384.54	830.35	1149.38	1495.25	889.82	1233.49	1605.86
220	740.51	1037.62	1359.39	802.79	1126.77	1477.79	864.90	1215.96	1596.23	927.15	1305.17	1714.72
240	769.81	1093.81	1444.93	834.67	1188.08	1571.16	899.56	1282.40	1697.33	964.35	1376.74	1823.50
260	799.03	1150.05	1530.35	866.62	1249.45	1664.44	934.09	1348.88	1798.46	1001.60	1448.29	1932.36
280	828.34	1206.32	1615.91	898.47	1310.87	1757.72	968.71	1415.35	1899.45	1038.79	1519.86	2041.26
300	857.64	1262.60	1701.47	930.45	1372.23	1850.97	1003.23	1481.91	2000.54	1076.07	1591.49	2150.03
320	886.84	1318.85	1786.91	962.32	1433.60	1944.25	1037.85	1548.40	2101.56	1113.30	1663.12	2258.89
340	916.18	1375.09	1872.47	994.28	1494.93	2037.57	1072.42	1614.85	2202.64	1150.55	1734.70	2367.75
360	945.35	1431.34	1957.99	1026.21	1556.32	2130.90	1106.99	1681.27	2303.76	1187.76	1806.31	2476.56
380	974.62	1487.63	2043.48	1058.10	1617.68	2224.12	1141.56	1747.80	2404.76	1225.05	1877.93	2585.44
400	1003.87	1543.86	2128.97	1090.05	1679.09	2317.47	1176.21	1814.27	2505.83	1262.26	1949.49	2694.24

All prices shown exclude VAT



SG 2810 complete with fabric

The prices below comprise complete system, silver or white ready-to-hang, top fix, single or pair stack with fabric choice in 127mm/5" louvres (see fabric price categories). Includes bottom weights and bottom link cord to both sides. Wall fix brackets extra. For 89mm/3 1/2" louvres add 15%. If sizes lie between the measurements shown, the price for the next larger will apply. Set up costs apply for 3D vertical waves.

Price Category C

Width cm	UP TO 300			UP TO 320			UP TO 340			UP TO 360		
	1	2	3	1	2	3	1	2	3	1	2	3
Drop cm												
60	670.12	780.65	900.31	711.03	828.88	956.51	752.00	877.12	1012.72	792.82	925.36	1069.04
80	710.04	857.31	1016.90	753.62	910.64	1080.89	797.15	964.05	1144.97	840.74	1017.45	1208.95
100	749.90	934.06	1133.52	796.18	992.53	1205.30	842.44	1051.02	1277.09	888.55	1109.49	1348.88
120	789.81	1010.72	1250.08	838.64	1074.34	1329.72	887.60	1137.94	1409.19	936.51	1201.57	1488.85
140	829.75	1087.44	1366.72	881.29	1156.11	1454.08	932.80	1224.95	1541.40	984.36	1293.65	1628.71
160	869.61	1164.19	1483.31	923.79	1237.96	1578.44	978.05	1311.81	1673.57	1032.26	1385.63	1768.68
180	909.56	1240.88	1599.89	966.47	1319.77	1702.78	1023.22	1398.78	1805.78	1080.10	1477.75	1908.59
200	949.39	1317.56	1716.50	1008.94	1401.66	1827.26	1068.51	1485.72	1937.95	1128.03	1569.79	2048.53
220	989.38	1394.27	1833.22	1051.47	1483.49	1951.61	1113.72	1572.69	2070.07	1175.87	1661.83	2188.64
240	1029.23	1470.96	1949.81	1094.11	1565.30	2076.16	1158.94	1659.59	2202.19	1223.77	1753.94	2328.46
260	1069.15	1547.72	2066.41	1136.66	1647.12	2200.40	1204.16	1746.53	2334.41	1271.60	1845.95	2468.38
280	1109.00	1624.37	2183.03	1179.24	1728.96	2324.78	1249.32	1833.49	2466.51	1319.52	1938.02	2608.32
300	1148.93	1701.11	2299.61	1221.68	1810.80	2449.18	1294.57	1920.46	2598.78	1367.36	2030.04	2748.26
320	1188.82	1777.86	2416.23	1264.25	1892.56	2573.56	1339.71	2007.38	2730.83	1415.24	2122.13	2888.15
340	1228.73	1854.54	2532.81	1306.90	1974.42	2697.92	1384.99	2094.32	2863.01	1463.18	2214.20	3028.13
360	1268.60	1931.33	2649.46	1349.40	2056.25	2822.32	1430.24	2181.24	2995.10	1511.00	2306.24	3168.03
380	1308.47	2008.00	2766.09	1392.00	2138.09	2946.66	1475.40	2268.12	3127.33	1558.94	2398.33	3307.98
400	1348.43	2084.67	2882.65	1434.52	2219.94	3071.06	1520.61	2355.18	3259.45	1606.79	2490.34	3447.88

Width cm	UP TO 380			*UP TO 400			*UP TO 420			*UP TO 440		
	1	2	3	1	2	3	1	2	3	1	2	3
Drop cm												
60	833.77	973.65	1125.27	874.68	1021.91	1181.52	915.66	1070.22	1237.73	956.47	1118.48	1294.03
80	884.32	1070.84	1273.06	927.83	1124.24	1337.02	971.46	1177.62	1400.99	1014.99	1230.97	1465.11
100	934.89	1168.02	1420.73	981.04	1226.52	1492.51	1027.30	1285.01	1564.28	1073.53	1343.52	1636.11
120	985.39	1265.19	1568.42	1034.28	1328.76	1647.93	1083.15	1392.37	1727.54	1132.03	1456.03	1807.14
140	1035.98	1362.38	1716.11	1087.45	1431.07	1803.40	1139.00	1499.76	1890.79	1190.59	1568.50	1978.17
160	1086.46	1459.50	1863.81	1140.67	1533.32	1958.91	1194.86	1607.25	2054.11	1249.09	1681.03	2149.18
180	1136.98	1556.69	2011.49	1193.87	1635.64	2114.38	1250.70	1714.56	2217.36	1307.57	1793.56	2320.23
200	1187.53	1653.83	2159.22	1247.04	1737.89	2269.87	1306.55	1822.06	2380.59	1366.15	1906.06	2490.99
220	1238.09	1751.08	2306.96	1300.25	1840.16	2425.38	1362.48	1929.43	2543.66	1424.61	2018.57	2662.19
240	1288.68	1848.24	2454.68	1353.43	1942.48	2580.87	1418.30	2036.74	2707.06	1483.14	2131.05	2833.31
260	1339.16	1945.37	2602.38	1406.62	2044.72	2736.32	1474.18	2144.25	2870.36	1541.66	2243.60	3004.32
280	1389.67	2042.52	2750.06	1459.86	2147.06	2891.84	1530.08	2251.58	3033.64	1600.19	2356.13	3175.34
300	1440.25	2139.67	2897.75	1512.99	2183.79	3047.31	1585.83	2358.98	3196.86	1658.69	2468.58	3346.39
320	1490.76	2236.87	3045.46	1566.18	2351.66	3202.85	1641.70	2466.42	3360.09	1717.09	2581.12	3517.45
340	1541.30	2334.08	3193.15	1619.46	2453.93	3358.32	1697.52	2573.75	3523.41	1775.70	2693.66	3688.44
360	1591.87	2431.25	3340.91	1672.63	2556.22	3513.76	1753.45	2681.29	3686.65	1834.23	2806.23	3859.49
380	1642.37	2528.47	3488.62	1725.82	2658.48	3669.24	1809.22	2788.56	3849.88	1892.74	2918.69	4030.48
400	1692.90	2625.51	3636.27	1779.00	2760.81	3824.73	1865.14	2895.96	4013.18	1951.32	3031.17	4201.56

Width cm	*UP TO 460			*UP TO 480			*UP TO 500		
	1	2	3	1	2	3	1	2	3
Drop cm									
60	997.41	1166.75	1350.27	1038.34	1214.99	1406.50	1079.22	1263.30	1462.76
80	1058.52	1284.34	1529.05	1102.08	1337.75	1593.11	1145.66	1391.10	1657.10
100	1119.75	1402.05	1707.90	1165.97	1460.54	1779.70	1212.22	1519.00	1851.51
120	1180.97	1519.65	1886.63	1229.77	1583.27	1966.22	1278.69	1646.87	2045.80
140	1242.03	1637.22	2065.52	1293.63	1705.95	2152.88	1345.13	1774.66	2240.20
160	1303.24	1754.93	2244.33	1357.53	1828.74	2339.40	1411.70	1902.54	2434.53
180	1364.45	1872.47	2423.20	1421.31	1951.42	2526.09	1478.20	2030.37	2628.99
200	1425.64	1990.18	2601.96	1485.18	2074.25	2712.68	1544.70	2158.32	2823.33
220	1486.81	2107.74	2780.53	1549.06	2196.89	2899.02	1611.20	2286.07	3017.28
240	1548.00	2225.42	2959.45	1612.84	2319.69	3085.72	1677.68	2413.98	3211.86
260	1609.24	2343.07	3138.32	1676.71	2442.46	3272.25	1744.26	2541.89	3406.28
280	1670.41	2460.62	3317.16	1740.51	2565.15	3458.95	1810.71	2669.71	3600.68
300	1731.50	2578.26	3495.91	1804.34	2687.81	3645.47	1877.18	2797.55	3795.02
320	1792.64	2695.88	3674.69	1868.12	2810.64	3832.06	1943.61	2925.37	3989.32
340	1853.82	2813.52	3853.56	1931.99	2933.39	4018.60	2010.10	3053.31	4183.70
360	1915.09	2931.23	4032.41	1995.86	3056.17	4205.25	2076.68	3181.18	4378.10
380	1976.21	3048.77	4211.19	2059.64	3178.92	4391.82	2143.08	3308.98	4572.48
400	2037.42	3166.44	4389.89	2123.54	3301.65	4578.36	2209.70	3436.85	4766.75

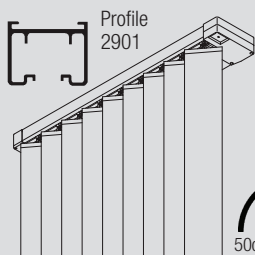
*127mm louvre only

All prices shown exclude VAT



Vertical Blind Systems

SG 2950



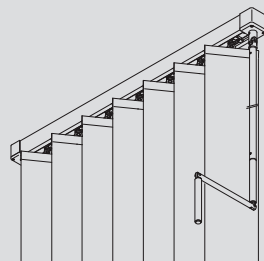
50cm std.

SG 2900

Profile 2901 available in 6 metre lengths only. Headrail available in silver and white.



Profile 2901



50cm std.

SG 2950

Electrically Operated Vertical Blind System

Track system complete, assembled, ready to hang.

Min. system width: 110cm
Max. system width: 600cm
Available in 127mm and 89mm systems.
Supplied with recess switch 0565 for open/close/tilt operation. Sloping 2950's must have the motor at the top of the slope. Silver or white at same cost.

	Price Ctg.
Pricing for SG 2950 Add to relevant hardware or hardware and fabric price over:	C
2950 £914.45	
2950R £1216.24 (Integrated Receiver)	

SG 0450 Radio Controls is also suitable for use with SG 2950.	C
---	----------

Accessories	Price Ctg.
2901 Profile, silver or white.	C
9117 Set.	
2912 Belt.	
2925 Belt connector.	
2927 Pilot runner.	
3033 Clamp.	
9091 Motor	

Bends	Profile 2901
Radius cm	£171.50
50-99	
Standard angle bend radius 50cm	
Over 99	£327.00

Colours	Price Ctg.
Other colours special order – see page 73.	E

Pricing Examples 2950 200cm width, straight hardware only:
2900 +per system
£690.53 +£914.45
= £1604.98

Note: Price based on 127mm/5" system.

SG 2900 Track and Accessories only

Track system only complete, assembled, ready to hang.

Min. system width: 50cm
Max. system width: 600cm

Width up to cm	£	Width up to cm/ft.ins.	£	Width up to cm/ft.ins.	£
120	498.09	300	930.97	480	1363.84
140	546.19	320	979.06	500	1411.88
160	594.33	340	1027.13	520	1460.03
180	642.43	360	1075.30	540	1508.06
200	690.53	380	1123.36	560	1556.24
220	738.61	400	1171.46	580	1604.33
240	786.73	420	1219.58	600	1652.40
260	834.86	440	1267.63		
280	882.83	460	1315.70		

Accessories	Price Ctg.	Colours	Price Ctg.
2605 Top clip 127mm each, white.	C	Other colours special order –see page 73	E
2813 Top clip 89mm each, white.			
2735 Nylon weight hook, each, 100.			
2746 Detachable crank handle (standard).			
2824 Endstop, each,10.			
2471 Bottom weight 127mm.			
2473 Bottom weight 89mm.			
2479 Bottom link cord 127mm.			
2481 Bottom link cord 89mm.			
2901 Profile, per metre.			
2912 Drive belt.			
2916 Rotation element 127 mm.			
2918 Rotation element 89mm.			
2920 Endpiece set, white or grey.			
2925 Belt Connector.			
2927 Pilot runner, each			
3033 Clamps set of 10, 100.			
2849 Top clip for PVC per 100.			
2962 Connecting bridge.			

Bends	Price Ctg.	N.B.
Radius/cm	E	For guidance the following number of louvres per metre should be calculated:
50-99	£171.50	89mm : 13/metre
Standard angle bend radius 50cm		127mm : 10/metre
Over 99	£327.00	
2671 Bottom weight 89mm without horns.	A	
2672 Bottom weight 127mm without horns.		
1148C Screw 31mm/1 1/4" No. 8 counter sunk, 100.		
Universal Smart Fix Extension Bracket in white, black or silver		
11154 Universal Smart Fix 120mm.		
11155 Universal Smart Fix 150mm.		
11156 Universal Smart Fix 200mm.		

*3D Vertical Waves

£457.70 set up charge.

Please add to assembled prices.

Made in Multi Visio Colour 1 127mm Andrea Design only.

Printing Information

All RAL colours applicable (except white, pearl and fluorescent colours). Height 218cm to 297cm
5 shape louvre and 6 shape louvre.

Fabric price categories

For SG 2900 complete with fabrics (see tables over)

Price Group 1

Element
Function
Multi Shadow
Multi Visio

Price Group 2

Alutex
Colorama 2
Mercurio
Multiscreen 5%
Versascreen 1%
Versascreen 2%
Versascreen 5%
Versascreen 10%
Vertical Wave (excl. sloping systems)

Price Group 3

Colorama 2 Bioactive
Moon
Reflex
3D Vertical Wave (Multi Visio)* + 20% + set up charge.

All fabrics are available in 89mm and 127mm louvres (89mm add 15%).

All above fabrics are FR

All prices shown exclude VAT



SG 2900 complete with fabric

The prices below comprise complete system, silver or white ready-to-hang, top fix, single or pair stack with fabric choice in 127mm/5" louvres (see fabric price categories). Includes bottom weights and bottom link cord to both sides, 150cm drop operating crank handle. Wall fix brackets extra. For 89mm/3 1/2" louvres add 15%. If sizes lie between the measurements shown, the price for the next larger size will apply. Set up costs apply for 3D vertical waves.

Price Category C

Width cm	UP TO 120			UP TO 140			UP TO 160		
	1	2	3	1	2	3	1	2	3
Drop cm									
60	632.22	676.36	724.29	694.08	745.59	801.51	755.86	814.76	878.63
80	648.19	707.05	770.91	712.67	781.35	855.94	777.16	855.64	940.80
100	664.11	737.83	817.59	731.35	817.20	910.34	798.43	896.65	1003.04
120	680.13	768.44	864.12	749.90	852.96	964.71	819.70	937.56	1065.23
140	696.03	799.14	910.90	768.50	888.79	1019.12	840.97	978.44	1127.38
160	711.99	829.82	957.50	787.13	924.62	1073.54	862.27	1019.35	1189.51
180	727.98	860.52	1004.14	805.80	960.37	1128.02	883.55	1060.30	1251.74
200	743.93	891.24	1050.81	824.36	996.24	1182.39	904.82	1101.15	1313.92
220	759.96	921.81	1097.41	843.05	1032.03	1236.78	926.13	1142.14	1376.17
240	775.89	952.49	1144.09	861.59	1067.76	1291.24	947.44	1183.02	1438.37
260	791.76	983.31	1190.70	880.19	1103.61	1345.64	968.67	1223.95	1500.57
280	807.76	1013.94	1237.39	898.85	1139.36	1400.04	989.93	1264.86	1562.79
300	823.76	1044.68	1284.03	917.44	1175.20	1454.49	1011.13	1305.75	1624.87
320	839.70	1075.32	1330.66	936.12	1211.04	1508.87	1032.48	1346.63	1687.15
340	855.62	1105.99	1377.32	954.72	1246.75	1563.31	1053.80	1387.67	1749.33
360	871.56	1136.68	1423.95	973.33	1282.62	1617.73	1075.03	1428.53	1811.51
380	887.58	1167.35	1470.59	991.96	1318.34	1672.16	1096.37	1469.46	1873.76
400	903.54	1198.04	1517.23	1010.55	1354.19	1726.61	1117.63	1510.33	1935.89

Width cm	UP TO 180			UP TO 200			UP TO 220		
	1	2	3	1	2	3	1	2	3
Drop c									
60	817.72	884.01	955.78	879.60	953.14	1032.96	941.34	1022.37	1110.12
80	841.61	930.02	1025.71	906.13	1004.31	1110.81	970.64	1078.68	1195.63
100	865.52	976.04	1095.72	932.67	1055.41	1188.40	999.87	1134.89	1281.18
120	889.53	1022.00	1165.67	959.32	1106.60	1266.17	1029.14	1191.10	1366.70
140	913.47	1068.11	1235.66	985.95	1157.69	1343.94	1058.40	1247.43	1452.21
160	937.37	1114.10	1305.62	1012.54	1208.90	1421.69	1087.60	1303.63	1537.67
180	961.31	1160.16	1375.63	1039.14	1260.04	1499.40	1116.90	1359.95	1623.20
200	985.27	1206.15	1445.54	1065.78	1311.12	1577.16	1146.16	1416.15	1708.75
220	1009.25	1252.20	1515.49	1092.34	1362.34	1654.89	1175.41	1472.42	1794.25
240	1033.14	1298.27	1585.53	1118.94	1413.41	1732.63	1204.69	1528.68	1879.74
260	1057.11	1344.24	1655.43	1145.52	1464.64	1810.34	1233.99	1584.91	1965.30
280	1080.99	1390.27	1725.46	1172.12	1515.75	1888.14	1263.22	1641.18	2050.77
300	1105.01	1436.33	1795.44	1198.69	1566.87	1965.82	1292.45	1697.41	2136.36
320	1128.92	1482.37	1865.38	1225.32	1618.06	2043.58	1321.76	1753.64	2221.89
340	1152.82	1528.39	1935.31	1251.88	1669.17	2121.31	1350.99	1809.94	2307.37
360	1176.78	1574.46	2005.30	1278.54	1720.31	2199.09	1380.27	1866.19	2392.85
380	1200.77	1620.43	2075.27	1305.18	1771.44	2276.82	1409.50	1922.43	2478.35
400	1224.60	1666.45	2145.26	1331.72	1822.60	2354.55	1438.73	1978.71	2563.91

Width cm	UP TO 240			UP TO 260			UP TO 280		
	1	2	3	1	2	3	1	2	3
Drop cm									
60	1003.22	1091.58	1187.35	1065.01	1160.71	1264.44	1126.84	1229.95	1341.64
80	1035.09	1152.86	1280.65	1099.59	1227.19	1365.51	1164.05	1301.49	1450.45
100	1067.05	1214.27	1373.84	1134.16	1293.68	1466.62	1201.32	1373.12	1559.31
120	1098.97	1275.68	1467.12	1168.73	1360.16	1567.68	1238.59	1444.76	1668.19
140	1130.79	1337.02	1560.47	1203.33	1426.72	1668.75	1275.82	1516.33	1777.02
160	1162.79	1398.36	1653.78	1237.87	1493.20	1769.83	1313.01	1587.93	1885.79
180	1194.69	1459.80	1747.04	1272.50	1559.64	1870.83	1350.24	1659.54	1994.71
200	1226.60	1521.14	1840.40	1307.06	1626.08	1971.92	1387.51	1731.15	2103.50
220	1258.56	1582.48	1933.57	1341.64	1692.63	2073.05	1424.81	1802.69	2212.37
240	1290.39	1643.83	2026.86	1376.20	1759.12	2174.02	1462.02	1874.31	2321.18
260	1322.35	1705.29	2120.20	1410.80	1825.62	2275.17	1499.23	1945.95	2430.04
280	1354.30	1766.62	2213.45	1445.37	1892.08	2376.17	1536.46	2017.46	2538.89
300	1386.18	1828.08	2306.80	1479.94	1958.55	2477.21	1573.68	2089.13	2647.67
320	1418.16	1889.38	2400.08	1514.52	2025.01	2578.29	1610.98	2160.74	2756.58
340	1450.01	1950.76	2493.35	1549.14	2091.57	2679.34	1648.23	2232.36	2865.33
360	1481.96	2012.12	2586.61	1583.71	2158.04	2780.42	1685.42	2303.92	2974.22
380	1513.87	2073.54	2679.86	1618.23	2224.54	2881.47	1722.66	2375.49	3083.03
400	1545.76	2134.87	2773.21	1652.85	2290.98	2982.49	1759.85	2447.09	3191.86

All prices shown exclude VAT



SG 2900 complete with fabric

The prices below comprise complete system, silver or white ready-to-hang, top fix, single or pair stack with fabric choice in 127mm/5" louvres (see fabric price categories). Includes bottom weights and bottom link cord to both sides, 150cm drop operating crank handle. Wall fix brackets extra. For 89mm/3 1/2" louvres add 15%. If sizes lie between the measurements shown, the price for the next larger size will apply. Set up costs apply for 3D vertical waves.

Price Category C

Width cm	UP TO 300			UP TO 320			UP TO 340		
	1	2	3	1	2	3	1	2	3
Drop cm									
60	1188.69	1299.11	1418.78	1250.49	1368.28	1496.02	1312.35	1437.49	1573.17
80	1228.53	1375.89	1535.43	1293.06	1450.11	1620.35	1357.54	1524.40	1705.36
100	1268.45	1452.57	1652.04	1335.59	1531.98	1744.79	1402.78	1611.40	1837.48
120	1308.34	1529.26	1768.60	1378.19	1613.75	1869.15	1447.98	1698.29	1969.64
140	1348.20	1606.02	1885.33	1420.75	1695.60	1993.56	1493.20	1785.34	2101.76
160	1388.15	1682.71	2001.87	1463.28	1777.42	2117.86	1538.41	1872.21	2233.91
180	1428.05	1759.40	2118.49	1505.87	1859.30	2242.28	1583.62	1959.18	2366.12
200	1467.94	1836.12	2235.07	1548.47	1941.08	2366.68	1628.86	2046.14	2498.26
220	1507.85	1912.81	2351.68	1590.99	2022.94	2491.08	1674.10	2133.04	2630.44
240	1547.76	1989.49	2468.36	1633.52	2104.77	2615.48	1719.30	2219.97	2762.60
260	1587.64	2066.23	2584.92	1676.03	2186.58	2739.84	1764.49	2306.93	2894.76
280	1627.58	2143.00	2701.58	1718.63	2268.43	2864.24	1809.74	2393.83	3026.96
300	1667.44	2219.70	2818.17	1761.20	2350.26	2988.64	1854.97	2480.86	3159.05
320	1707.37	2296.39	2934.74	1803.78	2432.11	3112.94	1900.17	2567.74	3291.25
340	1747.23	2373.12	3051.37	1846.33	2513.90	3237.36	1945.32	2654.67	3423.37
360	1787.17	2449.82	3167.99	1888.81	2595.77	3361.76	1990.58	2741.67	3555.55
380	1826.99	2526.54	3284.59	1931.44	2677.57	3486.19	2035.80	2828.57	3687.69
400	1866.99	2603.23	3401.17	1974.00	2759.47	3610.58	2081.03	2915.53	3819.86

Width cm	UP TO 360			UP TO 380			UP TO 400		
	1	2	3	1	2	3	1	2	3
Drop cm									
60	1374.14	1506.66	1650.29	1436.01	1575.89	1727.51	1497.78	1645.07	1804.69
80	1422.03	1598.78	1790.24	1486.53	1673.04	1875.16	1551.00	1747.37	1960.15
100	1469.90	1690.84	1930.15	1537.07	1770.23	2022.91	1604.15	1849.67	2115.64
120	1517.76	1782.86	2070.17	1587.60	1867.38	2170.63	1657.36	1951.92	2271.11
140	1565.70	1874.95	2210.10	1638.18	1964.56	2318.29	1710.62	2054.16	2426.58
160	1613.52	1967.01	2349.99	1688.64	2061.71	2465.98	1763.83	2156.53	2582.09
180	1661.40	2059.01	2489.92	1739.18	2158.92	2613.74	1816.98	2258.75	2737.56
200	1709.24	2151.09	2629.83	1789.74	2256.07	2761.42	1870.22	2361.05	2893.05
220	1757.20	2243.11	2769.77	1840.31	2353.27	2909.19	1923.38	2463.38	3048.53
240	1805.03	2335.25	2909.78	1890.82	2450.41	3056.82	1976.59	2565.63	3203.98
260	1852.92	2427.24	3049.69	1941.41	2547.58	3204.59	2029.79	2667.92	3359.50
280	1900.80	2519.29	3189.57	1991.88	2644.75	3352.33	2082.98	2770.17	3514.96
300	1948.68	2611.36	3329.54	2042.46	2741.91	3499.97	2136.19	2872.48	3670.38
320	1996.56	2703.45	3469.51	2092.96	2839.08	3647.78	2189.38	2974.81	3825.94
340	2044.44	2795.53	3609.40	2143.52	2936.27	3795.39	2242.57	3077.06	3981.38
360	2092.29	2887.52	3749.37	2194.05	3033.48	3943.09	2295.77	3179.30	4136.92
380	2140.19	2979.61	3889.22	2244.54	3130.57	4090.79	2348.93	3281.59	4292.43
400	2188.08	3071.66	4029.21	2295.13	3227.82	4238.54	2402.13	3383.88	4447.92

Width cm	UP TO 420			UP TO 440			UP TO 460		
	1	2	3	1	2	3	1	2	3
Drop cm									
60	1559.63	1714.24	1881.84	1621.51	1783.47	1958.96	1683.30	1852.58	2036.15
80	1615.47	1821.66	2045.12	1679.99	1895.94	2130.06	1744.51	1970.33	2214.93
100	1671.33	1929.03	2208.37	1738.52	2008.46	2301.11	1805.58	2087.95	2393.79
120	1727.22	2036.49	2371.63	1797.06	2120.94	2472.10	1866.79	2205.55	2572.62
140	1783.08	2143.86	2534.88	1855.55	2233.49	2643.19	1928.03	2323.16	2751.37
160	1838.93	2251.21	2698.12	1914.05	2346.02	2814.17	1989.20	2440.77	2930.23
180	1894.78	2358.67	2861.34	1972.53	2458.53	2985.25	2050.37	2558.43	3109.01
200	1950.62	2465.99	3024.60	2031.11	2571.06	3156.22	2111.54	2676.03	3287.81
220	2006.53	2573.50	3187.89	2089.66	2683.55	3327.29	2172.70	2793.71	3466.63
240	2062.37	2680.84	3351.16	2148.10	2796.08	3498.29	2233.89	2911.24	3645.42
260	2118.24	2788.29	3514.33	2206.68	2908.59	3669.32	2295.08	3028.93	3824.22
280	2174.05	2895.69	3677.63	2265.12	3021.07	3840.36	2356.23	3146.57	4003.01
300	2229.92	3003.10	3840.92	2323.67	3133.59	4011.41	2417.46	3264.21	4181.80
320	2285.78	3110.45	4004.15	2382.21	3246.10	4182.41	2478.59	3381.85	4360.68
340	2341.61	3217.84	4167.45	2440.67	3358.59	4353.40	2539.78	3499.45	4539.47
360	2397.43	3325.19	4330.67	2499.20	3471.16	4524.48	2600.92	3617.04	4718.26
380	2453.38	3432.63	4493.99	2557.75	3583.67	4695.52	2662.08	3734.73	4897.06
400	2509.21	3540.07	4657.23	2616.25	3696.22	4866.54	2723.31	3852.28	5075.91

All prices shown exclude VAT



SG 2900 complete with fabric

The prices below comprise complete system, silver or white ready-to-hang, top fix, single or pair stack with fabric choice in 127mm/5" louvres (see fabric price categories). Includes bottom weights and bottom link cord to both sides, 150cm drop operating crank handle. Wall fix brackets extra. For 89mm/3 1/2" louvres add 15%. If sizes lie between the measurements shown, the price for the next larger size will apply. Set up costs apply for 3D vertical waves.

Price Category C

Width cm	UP TO 480			UP TO 500			UP TO 520		
	1	2	3	1	2	3	1	2	3
Drop cm									
60	1745.15	1921.91	2113.42	1806.89	1991.03	2190.56	1868.73	2060.19	2267.62
80	1809.01	2044.57	2299.96	1873.41	2118.81	2384.85	1937.98	2193.20	2469.82
100	1872.82	2167.36	2486.45	1939.87	2246.75	2579.21	2007.07	2326.16	2671.94
120	1936.62	2290.09	2673.10	2006.45	2374.57	2773.59	2076.24	2459.10	2874.13
140	2000.45	2412.81	2859.64	2072.94	2502.46	2967.96	2145.40	2592.15	3076.25
160	2064.33	2535.57	3046.23	2139.40	2630.34	3162.25	2214.56	2725.06	3278.37
180	2128.11	2658.28	3232.84	2205.92	2758.19	3356.62	2283.72	2858.08	3480.46
200	2191.97	2780.95	3419.38	2272.39	2886.05	3550.96	2352.84	2991.01	
220	2255.82	2903.77	3606.00	2338.96	3013.88	3745.33	2422.04	3123.98	3682.61
240	2319.65	3026.51	3792.56	2405.46	3141.79	3939.68	2491.18	3256.97	3884.69
260	2383.53	3149.24	3979.18	2471.92	3269.54	4134.03	2560.33	3389.94	4086.82
280	2447.29	3272.01	4165.72	2538.40	3397.45	4328.37	2629.53	3522.94	4288.94
300	2511.18	3394.75	4352.26	2604.91	3525.32	4522.73	2698.68	3655.88	4491.05
320	2575.04	3517.49	4538.91	2671.43	3653.13	4717.19	2767.82	3788.83	4693.17
340	2638.84	3640.22	4725.43	2737.92	3781.00	4911.45	2836.99	3921.83	4895.39
360	2702.69	3763.01	4912.08	2804.41	3908.91	5105.82	2906.15	4054.82	5097.44
380	2766.52	3885.68	5098.66	2870.86	4036.71	5300.15	2975.32	4187.75	5299.55
400	2830.32	4008.42	5285.21	2937.34	4164.64	5494.57	3044.45	4320.75	5501.68

Width cm	UP TO 540			UP TO 560			UP TO 580		
	1	2	3	1	2	3	1	2	3
Drop cm									
60	1930.60	2129.42	2344.88	1992.39	2198.58	2422.04	2054.27	2267.80	2499.16
80	2002.41	2267.51	2554.80	2066.89	2341.84	2639.70	2131.34	2416.11	2724.69
100	2074.25	2405.60	2764.68	2141.39	2485.02	2857.35	2208.55	2564.37	2950.05
120	2146.11	2543.62	2974.55	2215.82	2628.14	3075.05	2285.67	2712.77	3175.56
140	2217.83	2681.73	3184.44	2290.35	2771.40	3292.75	2362.81	2861.02	3400.97
160	2289.67	2819.84	3394.39	2364.84	2914.61	3510.40	2439.95	3009.34	3626.43
180	2361.48	2957.90	3604.31	2439.29	3057.82	3728.07	2517.00	3157.70	3851.92
200	2433.36	3096.03	3814.19	2513.76	3200.97	3945.71	2594.19	3305.98	4077.27
220	2505.12	3234.13	4024.01	2588.27	3344.18	4163.51	2671.37	3454.34	4302.81
240	2576.94	3372.19	4233.97	2662.71	3487.41	4381.10	2748.51	3602.63	4528.19
260	2648.78	3510.27	4443.85	2737.19	3630.58	4598.78	2825.63	3750.97	4753.73
280	2720.60	3648.34	4653.79	2811.71	3773.84	4816.44	2902.73	3899.24	4979.19
300	2792.38	3786.45	4863.71	2886.14	3916.89	5034.19	2979.85	4047.60	5204.60
320	2864.24	3924.50	5073.55	2960.68	4060.22	5251.79	3057.05	4195.83	5430.12
340	2936.01	4062.60	5283.51	3035.09	4203.38	5469.50	3134.20	4344.18	5655.51
360	3007.88	4200.70	5493.35	3109.58	4346.58	5687.15	3211.32	4492.51	5880.95
380	3079.61	4338.76	5703.29	3184.03	4489.77	5904.88	3288.45	4640.80	6106.41
400	3151.44	4476.90	5913.20	3258.50	4632.97	6122.49	3365.51	4789.11	6331.89

Width cm	UP TO 600		
	1	2	3
Drop cm			
60	2116.06	2336.99	2576.32
80	2195.85	2490.42	2809.57
100	2275.68	2643.88	3042.87
120	2355.43	2797.24	3276.08
140	2435.25	2950.72	3509.30
160	2515.12	3104.16	3742.50
180	2594.94	3257.58	3975.67
200	2674.73	3411.00	4208.94
220	2754.48	3564.39	4442.18
240	2834.28	3717.83	4675.38
260	2914.10	3871.27	4908.58
280	2993.89	4024.69	5141.88
300	3073.64	4178.15	5375.06
320	3153.47	4331.54	5608.24
340	3233.25	4484.98	5841.55
360	3313.01	4638.44	6074.74
380	3392.78	4791.85	6307.94
400	3472.57	4945.30	6541.12

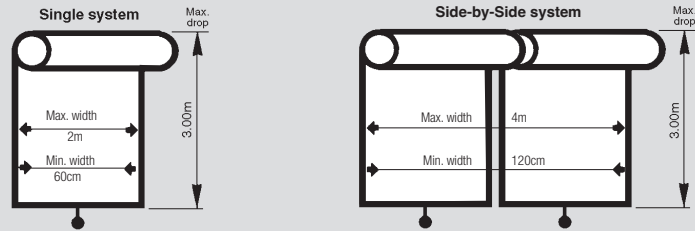
All prices shown exclude VAT



Roller Blind Systems

SG 4900

Spring operation with decelerator.
Tube diameter 32.2mm



System 4900 complete with fabric

The prices below comprise the complete system made-to-measure, ready-to-hang with fabric of your choice. Operation as standard with pull-ball.
Please consult application chart (page 57 of our main price list) to ensure that fabric chosen can be supplied in dimensions required.

Price category C

Price Group 1R

Basiccreen 5%
Basiccreen 10%
Colorama 1
Colorama 1 Alu
Colorama 1 Bioactive
Colorama 1 Eco
Colorama 1 Multicolour
Colorama Acoustic
Colorama Acoustic Multicolour
Element
Puma

Width	60cm	80cm	100cm	120cm	140cm	160cm	180cm	200cm	Width
Drop cm									Drop cm
60	307.95	325.64	343.34	361.10	378.74	396.55	414.18	431.90	60
80	314.08	333.79	353.56	373.22	393.00	412.74	432.51	452.17	80
100	320.14	341.92	363.68	385.50	407.18	428.97	450.77	472.56	100
120	326.24	350.01	373.82	397.68	421.37	445.28	469.04	492.86	120
140	332.31	358.13	383.96	409.84	435.61	461.46	487.28	513.16	140
160	338.38	366.26	394.12	422.04	449.86	477.69	505.60	533.47	160
180	344.46	374.41	404.33	434.20	464.09	494.00	523.94	553.69	180
200	350.70	382.47	414.44	446.40	478.23	510.24	542.13	574.10	200
220	356.71	390.69	424.65	458.49	492.47	526.46	560.44	594.36	220
240	362.81	398.80	434.75	470.77	506.72	542.73	578.70	614.67	240
260	368.86	406.93	444.92	482.93	521.00	558.94	597.02	635.10	260
280	374.99	415.01	455.06	495.05	535.22	575.22	615.26	655.28	280
300	381.06	423.18	465.18	507.25	549.41	591.46	633.54	675.61	300

Price Group 2R

Alutex
Colorama 2
Colorama 2 Bioactive
Colorama 2 Eco
Colorama 2 Multicolour
Mercurio
Multi Visio
Multishadow
Multiscreen 5%
Multiscreen 10%
Newlifescreeen
Nox

Width	60cm	80cm	100cm	120cm	140cm	160cm	180cm	200cm	Width
Drop cm									Drop cm
60	319.59	341.13	362.66	384.26	405.87	427.39	448.99	470.53	60
80	329.47	354.39	379.29	404.20	429.07	453.92	478.81	503.73	80
100	339.49	367.65	395.90	424.03	452.23	480.50	508.72	536.90	100
120	349.41	380.94	412.49	444.06	475.57	507.03	538.55	570.10	120
140	359.37	394.21	429.07	463.91	498.77	533.65	568.47	603.26	140
160	369.37	407.51	445.59	483.84	522.00	560.16	598.27	636.47	160
180	379.29	420.71	462.20	503.73	545.29	586.73	628.18	669.66	180
200	389.22	434.02	478.81	523.62	568.47	613.22	658.03	702.88	200
220	399.19	447.27	495.38	543.55	591.69	639.77	687.88	736.04	220
240	409.17	460.54	512.09	563.45	614.92	666.32	717.80	769.28	240
260	419.13	473.86	528.61	583.36	638.13	692.86	747.62	802.37	260
280	429.07	487.15	545.29	603.26	661.30	719.43	777.50	835.56	280
300	439.05	500.37	561.80	623.20	684.58	745.94	807.36	868.77	300

Price Group 3R

Aluscreen Futura
Deep
Newlifescreeen Alu
Multicolour Dimout

Width	60cm	80cm	100cm	120cm	140cm	160cm	180cm	200cm	Width
Drop cm									Drop cm
60	344.60	374.59	404.42	434.35	464.30	494.25	524.11	554.13	60
80	362.91	398.93	434.96	471.03	507.08	543.07	579.15	615.12	80
100	381.21	423.40	465.56	507.68	549.78	591.89	634.07	676.18	100
120	399.59	447.79	496.02	544.30	592.50	640.72	689.02	737.23	120
140	417.87	472.16	526.54	580.90	635.24	689.61	743.90	798.25	140
160	436.14	496.61	557.13	617.48	677.94	738.40	798.91	859.31	160
180	454.46	521.03	587.62	654.12	720.70	787.25	853.75	920.36	180
200	472.82	545.43	618.10	690.78	763.41	836.03	908.70	981.42	200
220	491.07	569.86	648.68	727.40	806.11	884.91	963.68	1042.40	220
240	509.44	594.28	679.20	764.00	848.83	933.70	1018.59	1103.49	240
260	527.71	618.68	709.62	800.64	891.58	982.59	1073.53	1164.45	260
280	546.03	643.10	740.19	837.27	934.28	1031.39	1128.49	1225.52	280
300	564.30	667.54	770.74	873.89	977.06	1080.30	1183.41	1286.58	300

Continuous Headrail

Provides an alternative to fitting to the wall or ceiling, supplied made to measure in silver or white £35.50 per m add on. Other custom colours available, pricing as per page 73 of our main price list.

SG 4900 – Side-by-Side System

Simply price as two separate systems stating side-by-side.

Stop Controller

For optional stop controller add £21.95

All prices shown exclude VAT



Roller Blind Systems

Laminated Blinds (Customer's own material for Roller Blinds)

Supply your own fabric, we will provide the laminating service. Prices below include for hardware systems 4900/4910. Sewn-in bottom bar supplied as standard (Trim 16). Our laminate will usually be supplied in cream as standard.

Please send a flat sample of customer's own material (1m²minimum) so that Silent Gliss can confirm suitability for laminating. All fabrics must be approved prior to ordering.

Price category C

Width cm	System	100	120	140	160	170	180	200	220	230	Width cm
Drop cm											Drop cm
90		459.13	495.28	531.57	567.68	603.83	971.94	987.33	1062.85	1081.57	90
120		510.41	556.79	603.39	649.81	696.16	1014.05	1050.80	1112.96	1168.43	120
150	4900/	561.74	618.36	675.31	731.88	788.50	1112.26	1171.07	1229.89	1372.23	150
180	4910/	613.03	679.91	747.13	813.97	880.84	1179.07	1318.07	1376.89	1502.52	180
210	(4960 electric)	664.28	741.49	818.93	896.09	973.21	1322.73				210
240		715.49	802.83	890.54	977.90	1065.26	1396.23				240
270		890.99	990.21	1089.90	1189.12	1288.29	1546.57				270
300		942.25	1051.76	1164.24	1276.10	1391.18					300

Prices in this table are for spring or chain operation. For standard electric (4960) add £705.94.

Flame Retardant (FR) Laminate

Add 20% to prices shown above. FR laminate available in white or cream.

Blackout Laminate

Add 20% to prices shown above. Blackout laminate available in white or cream.

Decorative Trims

Price on request.

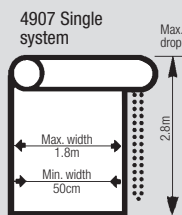
All prices shown exclude VAT



Roller Blind Systems

SG 4907

Chain operated roller blinds.
Tube diameter 32.2mm



SG 4907 complete with fabric

The prices below comprise the complete system made-to-measure, ready-to-hang with fabric of your choice. Please consult application chart (page 57) to ensure that fabric desired can be supplied in dimensions required.

Price category C

Price Group 1R

Basicscreen 1%
Basicscreen 5%
Basicscreen 10%
Colorama 1
Colorama 1 Alu
Colorama 1 Bioactive
Colorama 1 Eco
Colorama 1 Multicolour
Colorama Acoustic
Colorama Acoustic Multicolour
Element
Puma

Width	60cm	80cm	100cm	120cm	140cm	160cm	180cm	Width
Drop cm								Drop cm
60	277.16	293.09	309.02	325.01	340.87	356.88	372.77	60
80	282.66	300.39	318.20	335.91	353.69	371.46	389.25	80
100	288.13	307.74	327.29	346.94	366.47	386.09	405.69	100
120	293.61	315.02	336.43	357.89	379.26	400.75	422.12	120
140	299.08	322.31	345.58	368.85	392.05	415.33	438.56	140
160	304.54	329.63	354.70	379.84	404.88	429.94	455.04	160
180	310.04	336.96	363.90	390.76	417.70	444.61	471.53	180
200	315.60	344.22	373.01	401.75	430.42	459.20	487.94	200
220	321.02	351.62	382.16	412.66	443.23	473.81	504.39	220
240	326.52	358.95	391.28	423.72	456.03	488.47	520.84	240
260	331.97	366.24	400.42	434.66	468.90	503.05	537.30	260
280	337.49	373.51	409.54	445.53	481.70	517.66	553.71	280

Price Group 2R

Alutex
Colorama 2
Colorama 2 Bioactive
Colorama 2 Eco
Colorama 2 Multicolour
Mercurio
Multi Visio
Multishadow
Multiscreen 1%
Multiscreen 5%
Multiscreen 10%
Newlifescreeen
Nox

Triscreen 5%
Versascreen 5%
Versascreen 10%
Moon
Reflex
Safescreen

Width	60cm	80cm	100cm	120cm	140cm	160cm	180cm	Width
Drop cm								Drop cm
60	287.62	307.03	326.41	345.84	365.28	384.64	404.07	60
80	296.52	318.96	341.37	363.79	386.17	408.51	430.94	80
100	305.51	330.89	356.29	381.64	407.00	432.43	457.84	100
120	314.46	342.87	371.24	399.65	428.01	456.34	484.70	120
140	323.43	354.80	386.17	417.50	448.89	480.26	511.61	140
160	332.42	366.75	401.06	435.43	469.81	504.13	538.43	160
180	341.37	378.62	415.98	453.36	490.75	528.06	565.38	180
200	350.29	390.58	430.94	471.27	511.61	551.90	592.21	200
220	359.26	402.56	445.85	489.17	532.50	575.81	619.10	220
240	368.27	414.48	460.87	507.08	553.40	599.70	646.03	240
260	377.23	426.48	475.76	525.05	574.30	623.58	672.86	260
280	386.17	438.42	490.75	542.93	595.17	647.49	699.73	280

Price Group 3R

Aluscreen Futura
Deep
Newlifescreeen Alu
Multicolour Dimout

Width	60cm	80cm	100cm	120cm	140cm	160cm	180cm	Width
Drop cm								Drop cm
60	310.13	337.12	363.97	390.93	417.83	444.83	471.71	60
80	326.63	359.04	391.46	423.94	456.40	488.76	521.24	80
100	343.08	381.06	419.02	456.92	494.79	532.72	570.66	100
120	359.63	402.99	446.42	489.86	533.26	576.66	620.14	120
140	376.10	424.94	473.90	522.82	571.73	620.67	669.52	140
160	392.52	446.95	501.42	555.76	610.15	664.55	719.02	160
180	409.01	468.93	528.86	588.72	648.64	708.50	768.38	180
200	425.52	490.88	556.30	621.69	687.07	752.43	817.82	200
220	441.96	512.90	583.82	654.68	725.50	796.42	867.30	220
240	458.49	534.85	611.25	687.59	763.92	840.34	916.72	240
260	474.93	556.79	638.68	720.59	802.42	884.34	966.14	260
280	491.42	578.80	666.15	753.54	840.85	928.27	1015.63	280

SG 4907 – Side-by-Side System

There is no add-on. Simply order two systems, stating side-by-side.

Continuous Headrail

Provides an alternative to fitting to the wall or ceiling, supplied made to measure in silver or white £35.50 per m add on. Other custom colours available, pricing as per page 73 of our main price list.

All prices shown exclude VAT



Roller Blind Systems

SG 4910

Chain operated roller blinds.
Tube diameter 41mm



SG 4910 complete with fabric

The prices below comprise the complete system made-to-measure, ready-to-hang with fabric of your choice. Brackets, bracket covers, bottom bar and bottom bar endcaps supplied as standard in either white, grey or black. Please consult application chart (page 57) to ensure that fabric desired can be supplied in dimensions required. Stainless steel operating chain supplied as standard (brass chain also available at no additional cost).

Price category C

Price Group 1R

Basicscreen 1%
Basicscreen 5%
Basicscreen 10%
Colorama 1
Colorama 1 Alu
Colorama 1 Bioactive
Colorama 1 Eco
Colorama 1 Multicolour
Colorama Acoustic
Colorama Acoustic Multicolour
Element
Puma

Width	60cm	80cm	100cm	120cm	140cm	160cm	180cm	200cm	220cm	230cm	240cm	Width
Drop cm												Drop cm
60	307.95	325.64	343.34	361.10	378.74	396.55	414.18	431.90	449.61	458.45	467.35	60
80	314.08	333.79	353.56	373.22	393.00	412.74	432.51	452.17	471.93	481.83	491.71	80
100	320.14	341.92	363.68	385.50	407.18	428.97	450.77	472.56	491.81	501.45	511.07	100
120	326.24	350.01	373.82	397.68	421.37	445.28	469.04	492.86	516.64	528.55	540.43	120
140	332.31	358.13	383.96	409.84	435.61	461.46	487.28	513.16	538.97	551.92	564.77	140
160	338.38	366.26	394.12	422.04	449.86	477.69	505.60	533.47	561.39	575.77	589.30	160
180	344.46	374.41	404.33	434.20	464.09	494.00	523.94	553.69	583.58	598.57	613.45	180
200	350.70	382.47	414.44	446.40	478.23	510.24	542.13	574.10	606.00	621.92	637.84	200
220	356.71	390.69	424.65	458.49	492.47	526.46	560.44	594.36	628.39	645.33	662.35	220
240	362.81	398.80	434.75	470.77	506.72	542.73	578.70	614.67	650.62	668.65	686.58	240
260	368.86	406.93	444.92	482.93	521.00	558.94	597.02	635.10	673.05	692.03	711.02	260
280	374.99	415.01	455.06	495.05	535.22	575.22	615.26	655.28	695.31	715.29	735.31	280
300	381.06	423.18	465.18	507.25	549.41	591.46	633.54	675.61	717.68	738.71	759.79	300

Price Group 2R

Alutex
Atracor
Colorama 2
Colorama 2 Bioactive
Colorama 2 Eco
Colorama 2 Multicolour
Mercurio
Multi Visio
Multishadow
Multiscreen 1%
Multiscreen 5%
Multiscreen 10%
Newlifescreeen
Nox

Width	60cm	80cm	100cm	120cm	140cm	160cm	180cm	200cm	220cm	230cm	240cm	Width
Drop cm												Drop cm
60	319.59	341.13	362.66	384.26	405.87	427.39	448.99	470.53	492.05	502.84	513.64	60
80	329.47	354.39	379.29	404.20	429.07	453.92	478.81	503.73	528.61	541.10	553.53	80
100	339.49	367.65	395.90	424.03	452.23	480.50	508.72	536.90	565.06	579.18	593.26	100
120	349.41	380.94	412.49	444.06	475.57	507.03	538.55	570.10	601.69	617.45	633.25	120
140	359.37	394.21	429.07	463.91	498.77	533.65	568.47	603.26	638.13	655.58	672.97	140
160	369.37	407.51	445.59	483.84	522.00	560.16	598.27	636.47	674.62	693.65	712.75	160
180	379.29	420.71	462.20	503.73	545.29	586.73	628.18	669.66	711.15	731.91	752.67	180
200	389.22	434.02	478.81	523.62	568.47	613.22	658.03	702.88	747.63	770.05	792.42	200
220	399.19	447.27	495.38	543.55	591.69	639.77	687.88	736.04	784.16	808.24	832.23	220
240	409.17	460.54	512.09	563.45	614.92	666.32	717.80	769.28	820.67	846.42	872.08	240
260	419.13	473.86	528.61	583.36	638.13	692.86	747.62	802.37	857.14	884.52	911.98	260
280	429.07	487.15	545.29	603.26	661.30	719.43	777.50	835.56	893.62	922.63	951.64	280
300	439.05	500.37	561.80	623.20	684.58	745.94	807.36	868.77	930.15	960.87	991.53	300

Price Group 3R

Aluscreen Futura
Deep
Jumbotex
Newlifescreeen Alu
Multicolour Dimout

Width	60cm	80cm	100cm	120cm	140cm	160cm	180cm	200cm	220cm	230cm	240cm	Width
Drop cm												Drop cm
60	344.60	374.59	404.42	434.35	464.30	494.25	524.11	554.13	583.96	598.95	613.96	60
80	362.91	398.93	434.96	471.03	507.08	543.07	579.15	615.12	651.16	669.18	687.21	80
100	381.21	423.40	465.56	507.68	549.78	591.89	634.07	676.18	718.35	739.65	761.03	100
120	399.59	447.79	496.02	544.30	592.50	640.72	689.02	737.23	785.45	809.60	833.75	120
140	417.87	472.16	526.54	580.90	635.24	689.61	743.90	798.25	852.60	879.79	906.98	140
160	436.14	496.61	557.13	617.48	677.94	738.40	798.91	859.31	919.72	949.97	980.20	160
180	454.46	521.03	587.62	654.12	720.70	787.25	853.75	920.36	986.86	1020.07	1053.30	180
200	472.82	545.43	618.10	690.78	763.41	836.03	908.70	981.42	1054.06	1090.41	1126.73	200
220	491.07	569.86	648.68	727.40	806.11	884.91	963.68	1042.40	1121.20	1160.59	1199.98	220
240	509.44	594.28	679.20	764.00	848.83	933.70	1018.59	1103.49	1188.38	1230.80	1273.23	240
260	527.71	618.68	709.62	800.64	891.58	982.59	1073.53	1164.45	1255.44	1300.94	1346.40	260
280	546.03	643.10	740.19	837.27	934.28	1031.39	1128.49	1225.52	1322.54	1371.06	1419.62	280
300	564.30	667.54	770.74	873.89	977.06	1080.30	1183.41	1286.58	1389.71	1441.27	1492.83	300

Child safety device (10482) – add-on £12.13.

Side-guiding: Side-guide wire option is available (with white, grey or black accessories) at an additional cost of £82.74.

SG 4910 – Side-by-Side System

There is no add-on. Simply order two systems, stating side-by-side. Intermediate Cover 10632 required.

Continuous Headrail

Provides an alternative to fitting to the wall or ceiling, supplied made to measure in silver or white £35.50 per m add on. Other custom colours available, pricing as per page 73.

All prices shown exclude VAT



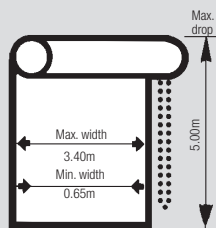
Roller Blind Systems

SG 4930

Heavy duty chain operated
Roller Blind system.
Tube diameter 60mm.

*Max. surface area 17m²

*Max. m² depends on fabric type.



SG 4930 complete with fabric

The prices below comprise the complete system made-to-measure, ready to hang with fabric of your choice. Brackets, bracket covers, bottom bar and bottom bar endcaps supplied as standard in either white, grey or black. Please be aware that due to the size capabilities of this system, larger sizes can only be achieved by welding the fabric. Fabrics that can be welded are indicated below in bold print. Please consult application chart (page 57) to ensure that fabric desired can be supplied in dimensions required.

Price Category C

Price Group 1R

Basicscreen 1%
Basicscreen 5%
Basicscreen 10%
Colorama 1
Colorama 1 Alu
Colorama 1 Bioactive
Colorama 1 Eco
Colorama 1 Multicolour
Colorama Acoustic
Colorama Acoustic Multicolour
Element
Puma

Width ► Drop ▼	100cm	125cm	150cm	175cm	200cm	225cm	250cm	275cm	300cm	325cm	340cm	◀ Width ▼ Drop
50cm	421.48	459.35	496.93	535.80	572.32	621.72	648.89	685.42	723.17	760.85	783.47	50cm
100cm	446.42	490.95	534.97	579.06	623.08	667.19	711.21	755.19	799.29	843.37	869.79	100cm
150cm	472.30	522.70	573.05	623.42	673.86	724.25	774.65	825.04	875.41	925.83	943.38	150cm
200cm	497.67	554.38	611.11	667.84	724.58	781.30	838.09	894.82	951.58	1008.31	1042.34	200cm
250cm	523.03	586.11	649.22	712.29	775.39	838.45	901.54	964.63	1027.71	1090.81	1128.66	250cm
300cm	548.43	617.84	687.31	756.72	826.08	895.56	964.97	1034.42	1103.88	1173.28	1214.93	300cm
350cm	573.82	649.57	725.37	801.15	876.89	952.68	1028.48	1104.18	1180.01	1255.77	1301.20	350cm
400cm	599.21	681.33	763.41	845.53	927.65	1009.78	1091.95	1174.05	1256.25	1338.23	1387.49	400cm
450cm	624.57	713.08	801.46	889.92	978.40	1066.89	1155.43	1243.89	1332.26	1420.73	1473.78	450cm
500cm	649.96	744.82	839.51	934.31	1029.16	1123.99	1218.92	1313.73	1408.39	1503.20	1560.09	500cm

Price Group 2R

Alutex
Atracor
Colorama 2
Colorama 2 Bioactive
Colorama 2 Eco
Colorama 2 Multicolour
Mercurio
Multi Visio
Multishadow
Multiscreen 1%
Multiscreen 5%
Multiscreen 10%
Newlifescreeen
Nox

Triscreen 1%
Triscreen 3%
Triscreen 5%
Versascreen 1%
Versascreen 2%
Versascreen 5%
Versascreen 10%
Moon
Reflex
Safescreen

Width ► Drop ▼	100cm	125cm	150cm	175cm	200cm	225cm	250cm	275cm	300cm	325cm	340cm	◀ Width ▼ Drop
50cm	453.80	499.50	545.34	591.16	642.95	682.64	728.41	774.16	819.91	865.71	893.21	50cm
100cm	495.29	551.44	607.57	663.70	719.88	776.04	832.17	888.33	944.50	1000.62	1034.28	100cm
150cm	536.81	603.32	669.84	736.33	802.89	869.39	935.97	1002.47	1069.03	1135.57	1175.48	150cm
200cm	578.31	655.22	732.10	808.99	885.94	962.81	1039.74	1116.65	1193.55	1270.42	1316.58	200cm
250cm	619.81	707.10	794.41	881.68	968.94	1056.23	1143.50	1230.79	1318.09	1409.23	1463.90	250cm
300cm	661.30	759.01	856.67	954.34	1052.03	1149.62	1247.33	1345.02	1442.59	1540.29	1598.93	300cm
350cm	702.88	810.88	918.89	1026.96	1135.02	1243.05	1351.09	1459.12	1567.20	1671.38	1733.88	350cm
400cm	744.35	862.80	981.22	1099.60	1218.04	1336.45	1454.85	1573.29	1691.80	1802.46	1868.85	400cm
450cm	785.82	914.72	1043.53	1172.23	1301.08	1429.83	1558.60	1687.48	1816.42	1933.55	2003.81	450cm
500cm	827.30	966.62	1105.83	1244.87	1384.10	1523.24	1662.36	1801.41	1941.01	2064.63	2138.78	500cm

Price Group 3R

Aluscreen Futura
Deep
Jumbotex
Newlifescreeen Alu
Multicolour Dimout

Width ► Drop ▼	100cm	125cm	150cm	175cm	200cm	225cm	250cm	275cm	300cm	325cm	340cm	◀ Width ▼ Drop
50cm	523.42	586.60	649.78	712.98	776.16	839.37	902.54	965.76	1028.92			50cm
100cm	599.75	682.04	764.31	846.58	928.86	1011.10	1093.38	1175.64	1257.92			100cm
150cm	676.10	777.48	878.81	980.17	1081.54	1182.92	1284.26	1385.57	1486.93			150cm
200cm	752.46	872.87	993.28	1113.75	1234.19	1354.65	1475.10	1595.54	1715.99			200cm
250cm	828.79	968.33	1107.84	1247.36	1386.89	1526.42	1665.91	1805.43	1944.97			250cm
300cm	905.08	1063.72	1222.35	1380.98	1539.59	1698.19	1856.79	2015.40	2174.00			300cm
350cm	981.49	1159.17	1336.86	1514.55	1692.25	1869.92	2047.68	2225.35	2403.03			350cm
400cm	1057.81	1254.61	1451.37	1648.15	1844.93	2041.70	2238.50	2435.51	2632.06			400cm
450cm	1134.10	1350.04	1565.90	1781.75	1997.61	2213.48	2429.33	2645.65	2861.11			450cm
500cm	1210.42	1445.45	1681.30	1915.37	2150.29	2385.27	2620.15	2855.78	3090.14			500cm

Side-Guiding: Side-guide wires with accessories: Please add £70.31 per system.

Continuous Headrail

Provides an alternative to fitting to the wall or ceiling, supplied made to measure in grey, black or white £35.50 per m add on. Other custom colours available, pricing as per page 73.

Prices shown exclude VAT



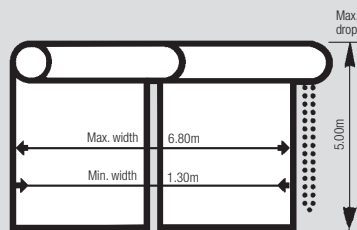
Roller Blind Systems

SG 4930 – Double Connected System

Heavy duty chain operated Roller Blind system.
Tube diameter 60mm.

*Max. surface area 30m² (15m² for each panel of side by side system)

*Max. m² depends on fabric type.



SG 4930 – Double Connected System complete with fabric

The prices below comprise the complete system made-to-measure, ready to hang with fabric of your choice. Brackets, bracket covers, bottom bar and bottom bar endcaps supplied as standard in either white, grey or black. Please be aware that due to the size capabilities of this system, larger sizes can only be achieved by welding the fabric. Fabrics that can be welded are indicated below in bold print. If a system is required as a double system smaller than widths indicated below, please add £117.73 to single system price. Please consult application chart (page 57) to ensure that fabric desired can be supplied in dimensions required.

Price Category C

Price Group 1R

Basicscreen 1%
Basicscreen 5%
Basicscreen 10%
Colorama 1
Colorama 1 Alu
Colorama 1 Bioactive
Colorama 1 Eco
Colorama 1 Multicolour
Colorama Acoustic
Colorama Acoustic Multicolour
Element
Puma

Width Drop	350cm	375cm	400cm	425cm	450cm	475cm	500cm	525cm	550cm	575cm	600cm	625cm	650cm	680cm	Width Drop
50cm	962.77	1000.50	1038.17	1075.87	1113.63	1151.33	1188.98	1226.70	1264.43	1302.09	1339.81	1377.52	1415.25	1460.52	50cm
100cm	1051.60	1095.66	1139.71	1183.74	1227.84	1271.90	1315.91	1360.00	1404.00	1448.09	1492.14	1536.17	1580.21	1633.07	100cm
150cm	1140.43	1190.81	1241.23	1291.66	1342.07	1392.45	1442.81	1493.22	1543.61	1594.03	1644.36	1694.87	1745.15	1805.51	150cm
200cm	1229.30	1286.01	1342.72	1399.50	1456.24	1512.96	1569.73	1626.46	1683.20	1739.94	1796.69	1853.42	1910.13	1978.13	200cm
250cm	1318.09	1381.19	1444.28	1507.32	1570.43	1633.53	1696.67	1759.74	1822.81	1885.84	1949.01	2011.99	2075.08	2150.77	250cm
300cm	1406.95	1476.39	1545.85	1615.16	1684.64	1754.11	1823.60	1892.99	1962.41	2031.76	2101.32	2170.55	2240.02	2323.40	300cm
350cm	1495.82	1571.58	1647.40	1723.03	1798.83	1874.66	1950.54	2026.23	2102.01	2177.66	2253.62	2329.10	2404.98	2496.04	350cm
400cm	1584.68	1666.80	1748.96	1830.90	1913.05	1995.24	2077.48	2159.51	2241.61	2323.57	2405.96	2487.66	2569.93	2668.63	400cm
450cm	1673.56	1762.00	1850.52	1938.63	2027.23	2115.80	2204.43	2292.75	2381.23	2469.48	2558.27	2646.23	2734.87	450cm	
500cm	1762.42	1857.19	1952.07	2046.49	2141.42	2236.36	2331.36	2426.01	2520.81	2615.39	2710.58	500cm	500cm		

Price Group 2R

Alutex
Atracor
Colorama 2
Colorama 2 Bioactive
Colorama 2 Eco
Colorama 2 Multicolour
Mercurio
Multi Visio
Multishadow
Multiscreen 1%
Multiscreen 5%
Multiscreen 10%
Newlifescreeen
Nox

Triscreen 1%
Triscreen 3%
Triscreen 5%
Versascreen 1%
Versascreen 2%
Versascreen 5%
Versascreen 10%
Moon
Reflex
Safescreen

Width Drop	350cm	375cm	400cm	425cm	450cm	475cm	500cm	525cm	550cm	575cm	600cm	625cm	650cm	680cm	Width Drop
50cm	1075.68	1121.42	1167.25	1213.03	1258.77	1304.54	1350.36	1396.08	1441.88	1487.63	1533.41	1579.18	1624.97	1679.92	50cm
100cm	1221.00	1277.11	1333.28	1389.47	1445.62	1501.73	1557.92	1614.06	1670.19	1726.29	1782.44	1838.64	1894.77	1962.13	100cm
150cm	1366.30	1432.82	1499.33	1565.89	1632.40	1698.86	1765.44	1832.00	1898.47	1965.03	2031.61	2098.08	2164.57	2244.38	150cm
200cm	1511.59	1588.29	1665.37	1742.29	1819.19	1896.14	1973.03	2049.98	2126.89	2203.74	2280.65	2357.50	2434.39	2526.63	200cm
250cm	1656.90	1744.19	1831.46	1918.68	2005.99	2093.32	2180.63	2267.95	2355.30	2442.45	2529.71	2616.95	2704.18	2808.85	250cm
300cm	1802.15	1899.85	1997.54	2095.10	2192.79	2290.50	2388.22	2485.93	2583.72	2681.14	2778.75	3027.79	3027.79	3027.79	300cm
350cm	1947.45	2055.50	2163.63	2271.48	2379.59	2487.69	2596.22	2703.89	2812.14	2919.87	3027.79	3027.79	3027.79	3027.79	350cm
400cm	2092.74	2211.16	2329.72	2447.76	2566.37	2684.87	2803.41	2921.88	3040.57	3158.57	3276.85	3276.85	3276.85	3276.85	400cm
450cm	2238.05	2366.81	2495.80	2624.15	2753.17	2882.08	3011.00	3139.85	3268.98	3397.28	3525.91	3525.91	3525.91	3525.91	450cm
500cm	2383.35	2519.07	2661.87	2800.53	2939.96	3079.27	3221.14	3357.83	3497.39	3635.99	3774.96	3774.96	3774.96	3774.96	500cm

Price Group 3R

Aluscreen Futura
Deep
Jumbotex
Newlifescreeen Alu
Multicolour Dimout

Width Drop	350cm	375cm	400cm	425cm	450cm	475cm	500cm	525cm	550cm	575cm	600cm	625cm	650cm	680cm	Width Drop
50cm	1319.48	1382.62	1445.87	1509.07	1572.26	1635.41	1698.61	1761.80	1825.01	1888.14	1951.36	1951.36	1951.36	1951.36	50cm
100cm	1586.67	1668.95	1751.19	1833.49	1915.75	1997.96	2080.29	2162.54	2244.89	2327.09	2409.41	2409.41	2409.41	2409.41	100cm
150cm	1853.83	1955.19	2056.58	2157.92	2259.32	2360.62	2461.98	2563.37	2664.68	2766.07	2867.43	2867.43	2867.43	2867.43	150cm
200cm	2121.06	2241.50	2361.95	2482.40	2602.82	2723.27	2843.70	2964.13	3084.57	3205.04	3325.47	3325.47	3325.47	3325.47	200cm
250cm	2388.25	2527.77	2667.32	2806.82	2946.29	3085.88	3225.45	3364.92	3504.47	3643.99	3783.53	3783.53	3783.53	3783.53	250cm
300cm	2655.44	2814.04	2972.71	3131.24	3289.76	3448.52	3607.19	3765.68	3924.37	4082.94	4241.58	4241.58	4241.58	4241.58	300cm
350cm	2922.60	3100.30	3278.92	3455.72	3633.25	3811.13	3988.92	4166.47	4344.25	4521.91	4699.63	4699.63	4699.63	4699.63	350cm
400cm	3189.77	3386.55	3583.48	3780.04	3976.74	4173.76	4370.67	4567.22	4764.15	4960.85	5157.70	5157.70	5157.70	5157.70	400cm
450cm	3456.96	3672.80	3888.85	4104.54	4320.20	4536.39	4752.40	4968.01	5184.05	5399.82	5615.74	5615.74	5615.74	5615.74	450cm
500cm	3724.13	3959.07	4194.24	4429.03	4663.68	4899.02	5134.13	5368.76	5603.93	5838.76	6073.80	6073.80	6073.80	6073.80	500cm

Side-Guiding: Side-guide wires with accessories: Please add £140.63 per double system.

Continuous Headrail

Provides an alternative to fitting to the wall or ceiling, supplied made to measure in grey, black or white £35.50 per m add on. Other custom colours available, pricing as per page 73.

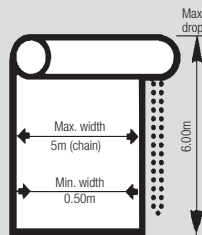
Prices shown exclude VAT



Roller Blind Systems

SG 4840

Heavy duty chain operated
Roller Blind system.
Tube diameter 80mm (up to 3.95m width).
Tube diameter 110mm (over 3.95m width).
Max. surface area 15m²



SG 4840 complete with fabric

The prices below comprise the complete system made-to-measure, ready to hang with fabric of your choice. Please be aware that due to the size capabilities of this system, larger sizes can only be achieved by welding the fabric. Fabrics that can be welded are indicated below in bold print. Please consult application chart (page 57) to ensure that the fabric desired can be supplied in dimensions required.

Price Category C

Price Group 1R

Basicscreen 1%
Basicscreen 5%
Basicscreen 10%
Colorama 1
Colorama 1 Alu
Colorama 1 Bioactive
Colorama 1 Eco
Colorama 1 Multicolour
Colorama Acoustic
Colorama Acoustic Multicolour
Element
Puma

Width ► Drop ▼	100cm	150cm	200cm	250cm	300cm	350cm	400cm	450cm	500cm	◀ Width ▼ Drop
50cm	826.79	921.11	1015.46	1109.70	1204.08	1298.34	1459.14	1553.38	1647.72	50cm
100cm	851.19	957.69	1064.28	1170.78	1277.29	1383.77	1556.81	1663.30	1769.84	100cm
150cm	875.61	994.35	1113.07	1231.83	1350.52	1469.29	1654.49	1773.21	1891.90	150cm
200cm	900.01	1030.98	1161.94	1292.86	1423.75	1554.67	1752.19	1883.10	2014.04	200cm
250cm	924.53	1067.58	1210.74	1353.94	1497.01	1640.20	1849.81	1992.96	2136.13	250cm
300cm	948.86	1104.17	1259.61	1414.96	1570.28	1725.66	1947.45	2102.79	2258.08	300cm
350cm	973.30	1140.81	1308.43	1475.99	1643.57	1811.11	2045.15			350cm
400cm	997.76	1177.49	1357.27	1537.06	1716.85	1896.61				400cm
450cm	1022.15	1214.12	1406.11	1598.09	1790.06					450cm
500cm	1046.56	1250.72	1454.86	1659.15	1863.33					500cm
550cm	1070.98	1287.38	1503.75	1720.15						550cm
600cm	1095.43	1323.98	1552.57	1781.19						600cm
									Max. 15m ²	

Price Group 2R

Alutex
Atracor
Colorama 2
Colorama 2 Bioactive
Colorama 2 Eco
Colorama 2 Multicolour
Mercurio
Multi Visio
Multishadow
Multiscreen 1%
Multiscreen 5%
Multiscreen 10%
Newlifescreeen
Nox

Triscreen 1%
Triscreen 3%
Triscreen 5%
Versascreen 1%
Versascreen 2%
Versascreen 5%
Versascreen 10%
Moon
Reflex
Safescreen

Width ► Drop ▼	100cm	150cm	200cm	250cm	300cm	350cm	400cm	450cm	500cm	◀ Width ▼ Drop
50cm	857.78	967.56	1077.41	1187.21	1297.03	1406.90	1583.13	1692.92	1802.74	50cm
100cm	897.65	1027.49	1157.23	1287.00	1416.77	1546.55	1742.81	1872.53	2002.33	100cm
150cm	937.63	1087.38	1237.07	1386.78	1536.51	1686.22	1902.46	2052.21	2201.95	150cm
200cm	977.55	1147.22	1316.89	1486.65	1656.30	1826.00	2062.18	2231.84	2401.45	200cm
250cm	1017.45	1207.13	1396.76	1586.44	1776.01	1965.65	2221.86	2411.42	2601.06	250cm
300cm	1057.39	1266.99	1476.59	1686.15	1895.81	2105.35	2381.47	2591.05	2800.69	300cm
350cm	1097.30	1326.83	1556.38	1785.98	2015.54	2245.09	2541.13			350cm
400cm	1137.20	1386.72	1636.23	1885.78	2135.30	2384.82				400cm
450cm	1177.14	1446.55	1716.10	1985.57	2255.04					450cm
500cm	1217.03	1506.48	1795.96	2085.38	2374.81					500cm
550cm	1257.03	1566.37	1875.73	2185.16						550cm
600cm	1296.90	1626.26	1955.59	2284.93						600cm
									Max. 15m ²	

Price Group 3R

Aluscreen Futura
Deep
Jumbotex
Newlifescreeen Alu
Multicolour Dimout

Width ► Drop ▼	100cm	150cm	200cm	250cm	300cm	350cm	400cm	450cm	500cm	◀ Width ▼ Drop
50cm	924.75	1068.10	1211.44	1354.69	1498.06	1641.31	1851.10	1994.44	2137.71	50cm
100cm	998.14	1178.18	1358.23	1538.23	1718.23	1898.22	2144.78	2324.77	2504.75	100cm
150cm	1071.65	1288.32	1505.02	1721.76	1938.50	2155.27	2438.40	2655.11	2871.89	150cm
200cm	1145.03	1398.43	1651.91	1905.32	2158.72	2412.19	2732.09	2985.52	3238.93	200cm
250cm	1218.46	1508.57	1798.69	2088.88	2378.96	2669.11	3025.77	3315.86	3606.00	250cm
300cm	1291.84	1618.69	1945.55	2272.35	2599.24	2926.09	3319.35	3646.22	3973.13	300cm
350cm	1365.28	1728.83	2092.33	2455.95	2819.49	3183.01	3613.04			350cm
400cm	1438.65	1838.95	2239.23	2639.45	3039.74	3439.97				400cm
450cm	1512.13	1949.02	2386.01	2823.05	3259.96					450cm
500cm	1585.52	2059.19	2532.84	3006.52	3480.22					500cm
550cm	1658.92	2169.31	2679.72	3190.08						550cm
600cm	1732.32	2279.39	2826.47	3373.66						600cm
									Max. 15m ²	

Note: All fabrics are FR

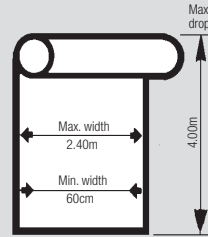
Side-Guiding of SG 4840 Side-guide wires are available as an option. Please add £241.20 per system (Cat. 'C').

Prices shown exclude VAT

Roller Blind Systems

SG 4955

Battery operated
Roller Blind system.
Tube diameter 41mm.



SG 4955 complete with fabric

The prices below comprise the complete system made-to-measure, ready to hang with fabric of your choice.

Please consult application chart (page 57 of our main price list) to ensure that fabric desired can be supplied in dimensions required.

Price Category C

Price Group 1R

Basicscreen 1%
Basicscreen 5%
Basicscreen 10%
Colorama 1
Colorama 1 Alu
Colorama 1 Bioactive
Colorama 1 Eco
Colorama 1 Multicolour
Colorama Acoustic
Colorama Acoustic Multicolour
Element
Puma

Width Drop	60cm	80cm	100cm	120cm	140cm	160cm	180cm	200cm	220cm	240cm	Width Drop
60cm	839.69	854.84	869.98	883.53	897.07	910.61	924.14	939.29	968.38	983.53	60cm
80cm	843.99	860.42	876.84	891.77	906.71	921.66	936.54	952.96	983.53	999.96	80cm
100cm	848.30	865.99	883.68	900.00	916.33	932.70	948.93	966.65	998.70	1016.40	100cm
120cm	852.60	871.55	890.54	908.23	925.93	943.75	961.37	980.34	1013.86	1032.83	120cm
140cm	856.87	877.12	897.36	916.44	935.58	954.69	973.80	994.06	1029.00	1049.25	140cm
160cm	861.17	882.69	904.22	924.68	945.19	965.74	986.20	1007.72	1044.15	1065.68	160cm
180cm	865.44	888.25	911.06	932.94	954.86	976.76	998.57	1021.37	1059.29	1082.10	180cm
200cm	869.75	893.82	917.92	941.18	964.49	987.80	1010.98	1035.07	1074.43	1098.52	200cm
220cm	874.03	899.41	924.77	949.42	974.12	998.84	1023.38	1048.74	1089.62	1114.96	220cm
240cm	878.32	904.94	931.57	957.67	983.71	1009.76	1035.85	1062.49	1104.73	1131.36	240cm
260cm	882.62	910.53	938.44	965.93	993.34	1020.79	1048.26	1076.17	1119.87	1147.78	260cm
280cm	886.87	916.06	945.26	974.13	1003.00	1031.79	1060.66	1089.88	1135.02	1164.22	280cm
300cm	891.17	921.64	952.10	982.37	1012.63	1042.84	1073.09	1103.56	1150.16	1180.65	300cm
320cm	895.46	927.20	958.96	990.61	1022.25	1053.91	1085.48	1117.23	1165.34	1197.07	320cm
340cm	899.76	932.77	965.81	998.83	1031.84	1064.85	1097.84	1130.87	1180.48	1213.50	340cm
360cm	904.06	938.34	972.65	1007.06	1041.46	1075.91	1110.25	1144.56	1195.64	1229.94	360cm
380cm	908.31	943.89	979.50	1015.28	1051.04	1086.86	1122.64	1158.22	1210.79	1246.37	380cm
400cm	912.65	949.47	986.33	1023.53	1060.69	1097.91	1135.04	1171.91	1225.92	1262.79	400cm

Price Group 2R

Alutex Triscreen 1%
Atracor Triscreen 3%
Colorama 2 Triscreen 5%
Colorama 2 Bioactive Versascreen 1%
Colorama 2 Eco Versascreen 2%
Colorama 2 Multicolour Versascreen 5%
Mercurio Versascreen 10%
Multi Visio Moon
Multishadow Reflex
Multiscreen 1% Safescreen
Multiscreen 5%
Multiscreen 10%
Newlifescreeen
Nox

Width Drop	60cm	80cm	100cm	120cm	140cm	160cm	180cm	200cm	220cm	240cm	Width Drop
60cm	853.30	872.51	891.70	909.64	927.58	945.54	963.50	982.70	1016.46	1035.64	60cm
80cm	860.32	881.58	902.86	923.12	943.32	963.59	983.79	1005.08	1041.21	1062.50	80cm
100cm	867.30	890.69	914.06	936.59	959.06	981.62	1004.09	1027.45	1065.96	1089.32	100cm
120cm	874.32	899.77	925.23	950.07	974.80	999.63	1024.36	1049.82	1090.71	1116.16	120cm
140cm	881.38	908.91	936.46	963.47	990.56	1017.58	1044.65	1072.20	1115.47	1143.00	140cm
160cm	888.36	917.98	947.61	976.95	1006.29	1035.60	1064.93	1094.56	1140.23	1169.86	160cm
180cm	895.36	927.11	958.81	990.37	1021.97	1053.56	1085.22	1116.92	1164.98	1196.71	180cm
200cm	902.38	936.18	970.00	1003.85	1037.73	1071.60	1105.48	1139.29	1189.72	1223.54	200cm
220cm	909.37	945.30	981.17	1017.31	1053.45	1089.64	1125.77	1161.65	1214.48	1250.38	220cm
240cm	916.43	954.39	992.37	1030.73	1069.19	1107.56	1146.02	1184.03	1239.25	1277.18	240cm
260cm	923.44	963.50	1003.54	1044.20	1084.95	1125.58	1166.31	1206.38	1263.98	1304.04	260cm
280cm	930.36	972.53	1014.70	1057.71	1100.62	1143.61	1186.61	1228.78	1288.74	1330.90	280cm
300cm	937.41	981.64	1025.89	1071.15	1116.35	1161.62	1206.88	1251.14	1313.49	1357.74	300cm
320cm	944.40	990.71	1037.04	1084.62	1132.06	1179.64	1227.17	1273.53	1338.25	1384.58	320cm
340cm	951.47	999.88	1048.29	1098.13	1147.90	1197.63	1247.43	1295.84	1362.98	1411.40	340cm
360cm	958.46	1008.97	1059.49	1111.60	1163.62	1215.66	1267.72	1318.21	1387.75	1438.24	360cm
380cm	965.50	1018.10	1070.65	1125.05	1179.37	1248.40	1287.97	1340.57	1412.49	1465.09	380cm
400cm	972.51	1027.17	1081.86	1138.52	1195.10	1276.25	1308.26	1362.95	1437.24	1491.91	400cm

Price Group 3R

Aluscreen Futura
Deep
Jumbotex
Newlifescreeen Alu
Multicolour Dimout

Width Drop	60cm	80cm	100cm	120cm	140cm	160cm	180cm	200cm	220cm	240cm	Width Drop
60cm	882.70	910.65	938.61	966.12	993.62	1021.10	1048.61	1076.56	1120.31	1148.28	60cm
80cm	895.59	927.38	959.19	990.87	1022.53	1054.22	1085.90	1117.67	1165.84	1197.62	80cm
100cm	908.49	944.14	979.78	1015.61	1051.47	1087.38	1123.19	1158.83	1211.36	1245.83	100cm
120cm	921.39	960.87	1000.33	1040.35	1080.37	1120.48	1160.51	1199.97	1256.88	1296.34	120cm
140cm	934.25	977.55	1020.85	1065.09	1109.35	1153.59	1197.76	1241.08	1302.40	1345.71	140cm
160cm	947.15	994.30	1041.45	1089.83	1138.27	1186.70	1235.07	1282.19	1347.94	1395.08	160cm
180cm	960.01	1011.02	1062.00	1114.61	1167.25	1219.81	1272.39	1323.36	1393.44	1444.44	180cm
200cm	972.91	1027.74	1082.58	1139.37	1196.16	1252.94	1309.66	1364.51	1438.99	1493.83	200cm
220cm	985.81	1044.46	1103.15	1164.12	1225.11	1286.03	1346.98	1405.64	1484.50	1543.18	220cm
240cm	998.70	1061.22	1123.72	1188.85	1254.04	1319.19	1384.24	1446.76	1530.01	1592.52	240cm
260cm	1011.61	1077.94	1144.28	1213.62	1282.96	1352.31	1421.57	1487.90	1575.54	1641.91	260cm
280cm	1024.50	1094.69	1164.88	1238.40	1311.96	1385.38	1458.91	1529.09	1621.10	1691.28	280cm
300cm	1037.42	1111.43	1185.46	1263.14	1340.89	1418.53	1496.20	1570.22	1666.61	1740.65	300cm
320cm	1050.32	1128.16	1206.04	1287.89	1369.82	1451.67	1533.49	1611.36	1712.14	1790.01	320cm
340cm	1063.18	1144.92	1226.60	1312.66	1398.68	1484.71	1570.78	1652.50	1757.67	1839.37	340cm
360cm	1076.09	1161.63	1247.19	1337.40	1427.58	1517.85	1608.10	1693.63	1803.20	1888.74	360cm
380cm	1089.02	1178.39	1267.77	1362.17	1456.47	1550.89	1645.40	1734.76	1848.71	1938.08	380cm
400cm	1101.91	1195.12	1288.35	1386.93	1485.40	1584.03	1682.68	1775.89	1894.24	1987.47	400cm

SG 4955 Control Options (Category A)

The above system includes the 10949 wall switch.

The above system is compatible with the below controls at an additional cost.

10946 Radio hand-held transmitter 1 channel

10947 Radio hand-held transmitter 2 + 1 channel

10948 Radio hand-held transmitter 6 + 1 channel

10950 Radio wall transmitter 2 channel

10951 Radio wall transmitter 5 + 1 channel

11429 Timer White

Please see prices on page 28

Prices shown exclude VAT

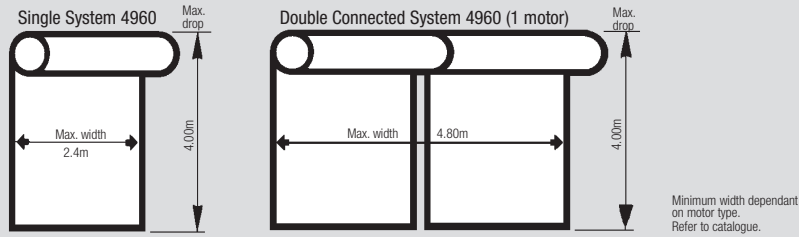


Roller Blind Systems

SG 4960

Electric roller blind system.
Mains voltage.

Speed: 12cm/sec. approx.



SG 4960 complete with fabric

The prices below comprise the complete system made-to-measure, ready to hang with fabric of your choice. Brackets, bracket covers, bottom bar and bottom bar endcaps supplied as standard in either white, grey or black. System sizes in shaded areas available as side-by-side systems only. Please consult application chart (page 57) to ensure that fabric desired can be supplied in dimensions required.

Price Category C

Price Group 1R

- Basicscreen 1% Element
- Basicscreen 5% Puma
- Basicscreen 10%
- Colorama 1
- Colorama 1 Alu
- Colorama 1 Bioactive
- Colorama 1 Eco
- Colorama 1 Multicolour
- Colorama Acoustic
- Colorama Acoustic Multicolour

Width ▶ ▼ Drop	100cm	125cm	150cm	175cm	200cm	225cm	240cm	250cm	275cm	300cm	325cm	350cm	375cm	400cm	425cm	450cm	460cm	480cm
50cm	1019.47	1038.86	1058.25	1077.60	1096.99	1116.38	1147.43	1174.68	1194.02	1213.36	1232.78	1252.15	1270.88	1289.55	1308.25	1329.96	1338.03	1354.19
100cm	1039.63	1064.03	1088.44	1112.92	1137.23	1161.57	1195.75	1224.99	1249.40	1273.76	1298.19	1322.56	1347.03	1371.40	1395.82	1420.26	1430.02	1449.57
150cm	1059.74	1089.16	1118.61	1148.10	1177.52	1206.95	1244.07	1275.31	1304.70	1334.13	1363.55	1393.01	1422.49	1451.94	1481.35	1510.83	1522.57	1546.06
200cm	1079.90	1114.36	1148.87	1183.36	1217.72	1252.12	1292.38	1325.64	1360.04	1394.53	1428.99	1463.46	1498.00	1532.39	1566.90	1601.35	1615.13	1642.65
250cm	1100.02	1139.55	1179.00	1218.51	1258.01	1297.54	1340.66	1375.93	1415.39	1454.84	1494.36	1533.88	1573.41	1612.92	1652.44	1691.93	1707.73	1739.34
300cm	1120.12	1164.68	1209.27	1253.76	1298.30	1342.82	1388.98	1426.28	1470.78	1515.34	1559.84	1604.34	1648.91	1693.44	1737.98			
350cm	1140.26	1189.84	1239.40	1288.96	1338.48	1388.03	1437.31	1476.56	1526.17	1575.73	1625.29	1674.80	1724.39	1773.97	1823.52			
400cm	1160.40	1214.98	1269.53	1324.16	1378.70	1433.25	1485.64	1526.85	1581.59	1631.59	1690.77	1745.21	1799.88	1854.51	1909.09			Max. 12m ²

Price Group 2R

- Alutex Nox
- Atracor Triscreen 1%
- Colorama 2 Triscreen 3%
- Colorama 2 Bioactive Triscreen 5%
- Colorama 2 Eco Versascreen 1%
- Colorama 2 Multicolour Versascreen 2%
- Mercuro Versascreen 5%
- Multi Visio Versascreen 10%
- Multishadow Moon
- Multiscreen 1% Reflex
- Multiscreen 5% Safescreen
- Multiscreen 10%
- Newlifescreeen

Width ▶ ▼ Drop	100cm	125cm	150cm	175cm	200cm	225cm	240cm	250cm	275cm	300cm	325cm	350cm	375cm	400cm	425cm	450cm	460cm	480cm
50cm	1042.48	1067.57	1092.69	1117.81	1142.95	1168.89	1202.62	1232.04	1257.16	1282.29	1307.43	1332.56	1357.70	1382.79	1407.93	1433.06	1443.13	1463.22
100cm	1075.35	1108.75	1142.06	1175.45	1208.75	1242.05	1281.55	1314.38	1347.67	1380.99	1414.34	1447.70	1481.06	1514.39	1547.76	1581.07	1594.43	1621.16
150cm	1108.28	1149.83	1191.43	1232.97	1274.53	1316.12	1360.52	1396.60	1438.13	1479.73	1521.25	1562.84	1604.39	1645.94	1687.51	1729.07	1745.72	1778.99
200cm	1141.16	1190.96	1240.73	1290.54	1340.34	1390.18	1439.45	1478.83	1528.57	1578.34	1628.18	1677.95	1727.75	1777.54	1827.11	1877.14	1897.06	1936.91
250cm	1174.08	1232.04	1290.09	1348.06	1406.12	1464.17	1518.38	1561.03	1619.06	1677.07	1735.10	1793.13	1851.14	1909.10	1967.10	2025.20	2048.35	2094.64
300cm	1206.92	1273.19	1339.39	1405.65	1471.92	1538.17	1597.33	1643.26	1709.53	1775.72	1842.00	1908.19	1974.44	2040.75	2106.88			
350cm	1239.85	1314.38	1388.79	1463.23	1537.67	1612.12	1676.26	1725.49	1800.01	1874.46	1948.89	2023.33	2097.80	2172.28	2246.72			
400cm	1272.77	1355.51	1438.17	1549.71	1603.46	1686.08	1755.20	1807.71	1890.50	1973.23	2055.82	2138.46	2221.14	2303.82	2386.56			Max. 12m ²

Price Group 3R

- Aluscreen Futura
- Deep
- Jumbotex
- Newlifescreeen Alu
- Multicolour Dimout

Width ▶ ▼ Drop	100cm	125cm	150cm	175cm	200cm	225cm	240cm	250cm	275cm	300cm	325cm	350cm	375cm	400cm	425cm	450cm	460cm	480cm
50cm	1092.14	1129.72	1167.27	1204.75	1242.33	1279.90	1321.87	1356.31	1393.83	1431.42	1468.93	1506.47	1543.98	1581.54	1619.06	1656.65	1671.66	1701.76
100cm	1152.66	1205.31	1257.96	1310.67	1363.32	1415.99	1467.05	1507.57	1560.23	1612.85	1665.59	1718.24	1770.91	1823.52	1876.20	1928.90	1949.93	1991.98
150cm	1213.13	1280.90	1348.74	1416.55	1484.28	1552.04	1612.22	1658.81	1726.61	1794.41	1862.14	1929.94	1997.77	2065.56	2133.37	2201.14	2228.22	2282.41
200cm	1273.62	1356.56	1439.50	1522.42	1605.30	1688.21	1757.43	1810.02	1892.98	1975.87	2058.78	2141.70	2224.61	2307.53	2390.44	2473.36	2506.53	2572.89
250cm	1334.13	1432.17	1530.25	1628.30	1726.27	1824.22	1902.61	1961.26	2059.28	2157.34	2255.40	2353.43	2451.46	2549.50	2647.55	2745.58	2784.87	2863.38
300cm	1394.66	1507.81	1621.06	1734.16	1847.32	1960.47	2047.82	2112.54	2225.68	2338.86	2452.04	2565.13	2678.33	2791.46	2903.95			
350cm	1455.17	1583.44	1711.69	1839.99	1968.31	2096.65	2193.00	2263.76	2392.00	2520.34	2648.59	2776.95	2905.16	3033.49	3161.75			
400cm	1515.69	1659.09	1802.36	1945.80	2089.29	2232.80	2338.20	2414.99	2558.28	2701.79	2845.16	2988.77	3132.03	3275.54	3419.58			Max. 12m ²

SG 4960 Control Options

Standard Radio Controlled option – with System 9940, see page 28.

Series 40 motors – With integrated radio receiver for operation with SG wireless system 9940 – add on £247.46 per system, see page 28.

NOTE: 24v Series 40 Motors are not supplied with power supplies (transformers) as standard. They must be ordered separately, see page 28.

SMART by Silent Gliss motors – for use with Silent Gliss Gateway and associated components – add on £247.46 per system, see page 28.

Note: If a double connected system is required below 2.30m (e.g. for fabric reasons) please add £52.72 to single system price.

For side guided option (with white, grey or black accessories) add £82.74 per system.

Continuous Headrail

Provides an alternative to fitting to the wall or ceiling, supplied made to measure in silver or white £35.50 per m add on. Other custom colours available, pricing as per page 73.

4960 LV 24V DC – LV1/LV2/LV3 (optional) – supplement £226.45.

Prices shown exclude VAT



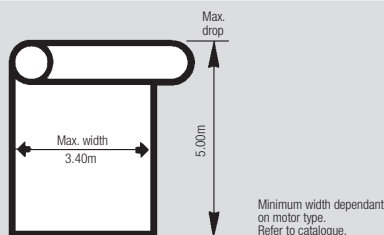
Roller Blind Systems

SG 4970

Heavy duty electrically operated Roller Blind system. Mains voltage. Speed approx. 7cm/sec. Tube diameter 60mm.

*Max. surface area 17m²

*Max. m² depends on fabric type.



SG 4970 complete with fabric

The prices below comprise the complete system made-to-measure, ready to hang with fabric of your choice. Brackets, bracket covers, bottom bar and bottom bar endcaps supplied as standard in either white, grey or black. Please be aware that due to the size capabilities of this system, larger sizes can only be achieved by welding the fabric. Fabrics that can be welded are indicated below in bold print. Please consult application chart (page 57) to ensure that fabric desired can be supplied in dimensions required.

Price Category C

Price Group 1R

Basicscreen 1%
Basicscreen 5%
Basicscreen 10%
Colorama 1
Colorama 1 Alu
Colorama 1 Bioactive
Colorama 1 Eco
Colorama 1 Multicolour
Colorama Acoustic
Colorama Acoustic Multicolour
Element
Puma

Width ► Drop ▼	100cm	125cm	150cm	175cm	200cm	225cm	250cm	275cm	300cm	325cm	340cm	◀ Width ▼ Drop
50cm	1420.97	1449.97	1478.98	1508.00	1536.98	1565.94	1594.97	1623.98	1652.95	1681.96	1699.36	50cm
100cm	1446.16	1481.39	1516.70	1552.00	1587.28	1622.53	1657.83	1693.10	1728.36	1763.63	1784.79	100cm
150cm	1471.30	1512.86	1554.42	1595.99	1637.54	1679.09	1720.62	1762.21	1803.79	1845.35	1870.29	150cm
200cm	1496.42	1544.24	1592.08	1639.96	1687.82	1735.65	1783.48	1831.32	1879.21	1927.05	1955.76	200cm
250cm	1521.56	1575.71	1629.82	1683.95	1738.09	1792.16	1846.33	1900.50	1954.61	2008.72	2041.19	250cm
300cm	1546.70	1607.09	1667.54	1727.91	1788.34	1848.81	1909.21	1969.61	2030.02	2090.46	2126.71	300cm
350cm	1571.85	1638.52	1705.25	1771.95	1838.65	1905.32	1971.98	2038.75	2105.39	2172.10	2212.14	350cm
400cm	1596.95	1669.97	1742.92	1815.95	1888.91	1961.88	2034.89	2107.86	2180.83	2253.81	2297.59	400cm
450cm	1622.12	1701.33	1780.67	1859.90	1939.20	2018.43	2097.74	2177.00	2256.27	2335.52	2383.08	450cm
500cm	1647.21	1732.77	1818.36	1903.89	1989.44	2075.01	2160.60	2246.07	2331.57	2417.03	2468.55	500cm

Price Group 2R

Alutex
Atracor
Colorama 2
Colorama 2 Bioactive
Colorama 2 Eco
Colorama 2 Multicolour
Mercurio
Multi Visio
Multishadow
Multiscreen 1%
Multiscreen 5%
Multiscreen 10%
Newlifescreeen

Nox
Triscreen 1%
Triscreen 3%
Versascreen 1%
Versascreen 2%
Versascreen 5%
Versascreen 10%
Moon
Reflex
Safescreen

Width ► Drop ▼	100cm	125cm	150cm	175cm	200cm	225cm	250cm	275cm	300cm	325cm	340cm	◀ Width ▼ Drop
50cm	1437.00	1469.93	1502.95	1535.93	1568.95	1601.90	1634.90	1667.87	1700.90	1733.87	1753.64	50cm
100cm	1478.11	1521.38	1564.61	1607.87	1651.20	1694.42	1737.70	1780.93	1824.21	1867.51	1753.64	100cm
150cm	1519.23	1572.76	1626.31	1679.84	1733.39	1786.91	1840.47	1894.04	1947.59	2001.10	2033.22	150cm
200cm	1560.33	1624.17	1687.98	1751.80	1815.61	1879.41	1943.27	2007.07	2070.93	2134.72	2173.01	200cm
250cm	1601.42	1675.54	1749.64	1823.76	1897.87	1971.93	2046.04	2120.12	2194.22	2268.33	2312.78	250cm
300cm	1642.53	1726.94	1811.31	1895.73	1980.05	2064.46	2148.83	2233.23	2317.62	2401.98	2452.59	300cm
350cm	1683.66	1778.28	1872.98	1967.64	2062.89	2156.97	2251.64	2346.27	2440.99	2535.60	2592.40	350cm
400cm	1724.80	1829.71	1934.70	2039.58	2144.55	2249.49	2354.42	2459.35	2564.25	2669.20	2732.17	400cm
450cm	1765.92	1881.09	1996.32	2111.56	2226.76	2341.97	2457.23	2572.41	2687.65	2802.78	2871.86	450cm
500cm	1806.95	1932.54	2058.01	2183.53	2308.99	2434.46	2559.97	2685.52	2811.07	2936.37	3011.53	500cm

Price Group 3R

Aluscreen Futura
Deep
Jumbotex
Newlifescreeen Alu
Multicolour Dimout

Width ► Drop ▼	100cm	125cm	150cm	175cm	200cm	225cm	250cm	275cm	300cm	325cm	340cm	◀ Width ▼ Drop
50cm	1471.50	1513.04	1554.65	1596.33	1637.90	1679.54	1721.11	1762.70	1804.40			50cm
100cm	1547.07	1607.60	1668.12	1728.62	1789.15	1849.66	1910.15	1970.66	2031.19			100cm
150cm	1622.71	1702.11	1781.53	1860.91	1940.31	2019.82	2099.19	2178.54	2258.04			150cm
200cm	1698.27	1796.62	1894.91	1993.26	2091.57	2189.84	2288.19	2386.52	2484.82			200cm
250cm	1773.92	1891.14	2008.32	2125.55	2242.79	2359.99	2477.21	2594.46	2711.69			250cm
300cm	1849.50	1985.61	2121.76	2257.87	2394.00	2530.12	2666.24	2802.30	2938.44			300cm
350cm	1925.13	2080.11	2235.16	2390.15	2545.22	2700.22	2855.24	3010.24	3165.29			350cm
400cm	2000.71	2174.62	2348.56	2522.47	2696.45	2870.35	3044.29	3218.20	3392.13			400cm
450cm	2076.35	2269.12	2461.98	2654.79	2847.65	3040.47	3233.28	3426.10	3618.96			450cm
500cm	2151.90	2363.65	2575.43	2787.08	2998.87	3210.53	3422.29	3634.04	3845.79			500cm

SG 4970 Control Options

Standard Radio Controlled option – With System 9940, see page 28.

Series 40 motors –With integrated radio receiver for operation with SG wireless system 9940 – add on £247.46 per system, see page 28.

NOTE: 24v Series 40 Motors are not supplied with power supplies (transformers) as standard. They must be ordered separately.

SMART by Silent Gliss motors – for use with Silent Gliss Gateway and associated components – add on £247.46 per system, see page 28.

Side-Guiding: Side-guide wires with accessories: Please add £89.24 per system.

Continuous Headrail

Provides an alternative to fitting to the wall or ceiling, supplied made to measure in grey, black or white £35.50 per m add on. Other custom colours available, pricing as per page 73.



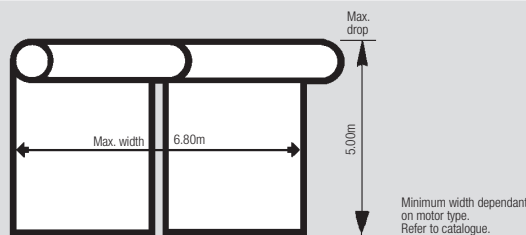
Roller Blind Systems

SG 4970 – Double Connected System

Heavy duty electrically operated Roller Blind system. Mains voltage. Speed approx. 7cm/sec. Tube diameter 60mm.

Max. surface area 34m²(17m²for each panel of side by side system)

*Max. m²depends on fabric type.



SG 4970 – Double Connected System

The prices below comprise the complete system made-to-measure, ready to hang with fabric of your choice. Brackets, bracket covers, bottom bar and bottom bar endcaps supplied as standard in either white, grey or black. Please be aware that due to the size capabilities of this system, larger sizes can only be achieved by welding the fabric. Fabrics that can be welded are indicated below in bold print. If a system is required as a double system smaller than widths indicated below, please add £108.60 to single system price. Please consult application chart (page 57) to ensure that fabric desired can be supplied in dimensions required.

Price Category C

Price Group 1R

- Basicscreen 1%
- Basicscreen 5%
- Basicscreen 10%
- Colorama 1
- Colorama 1 Alu
- Colorama 1 Bioactive
- Colorama 1 Eco
- Colorama 1 Multicolour
- Colorama Acoustic
- Colorama Acoustic Multicolour
- Element
- Puma

Width Drop	350cm	375cm	400cm	425cm	450cm	475cm	500cm	525cm	550cm	575cm	600cm	625cm	650cm	680cm	Width Drop
50cm	1853.08	1882.10	1911.14	1940.14	1969.13	1998.08	2027.09	2056.11	2085.06	2114.07	2143.06	2172.05	2201.05	2235.86	50cm
100cm	1941.08	1976.37	2011.66	2046.96	2082.21	2117.50	2152.81	2188.06	2223.34	2258.62	2293.88	2329.17	2364.44	2406.76	100cm
150cm	2029.06	2070.60	2112.18	2153.76	2195.32	2236.87	2278.46	2320.01	2361.57	2403.08	2444.73	2486.30	2527.84	2577.64	150cm
200cm	2117.10	2164.92	2212.77	2260.62	2308.44	2356.26	2404.13	2452.01	2499.85	2547.73	2595.51	2643.33	2691.20	2748.64	200cm
250cm	2205.04	2259.20	2313.31	2367.44	2421.57	2475.67	2529.83	2584.02	2638.09	2692.23	2746.33	2800.50	2854.59	2919.51	250cm
300cm	2293.03	2353.44	2413.90	2474.27	2534.68	2595.11	2655.52	2715.93	2776.31	2836.75	2897.17	2957.57	3017.97	3090.11	300cm
350cm	2381.03	2447.70	2514.42	2581.12	2647.82	2714.44	2781.23	2847.85	2914.61	2981.30	3048.02	3114.70	3181.35	3261.31	350cm
400cm	2468.97	2541.96	2614.99	2687.84	2760.91	2833.91	2906.89	2979.86	3052.84	3125.86	3198.84	3271.58	3344.73	3432.51	400cm
450cm	2556.95	2636.23	2715.52	2794.81	2874.08	2953.34	3032.58	3111.86	3191.07	3270.43	3349.91	3428.46	3508.12	3603.70	450cm
500cm	2644.91	2730.52	2816.06	2901.61	2987.15	3072.78	3158.27	3243.87	3329.31	3414.99	3500.46	3585.33	3671.50	3774.89	500cm

Price Group 2R

- Alutex
- Atracor
- Colorama 2
- Colorama 2 Bioactive
- Colorama 2 Eco
- Colorama 2 Multicolour
- Mercurio
- Multi Visio
- Multishadow
- Multiscreen 1%
- Multiscreen 5%
- Multiscreen 10%
- Newlifescreeen
- Nox
- Triscreen 1%
- Triscreen 3%
- Triscreen 5%
- Versascreen 1%
- Versascreen 2%
- Versascreen 5%
- Versascreen 10%
- Moon
- Reflex
- Safescreen

Width Drop	350cm	375cm	400cm	425cm	450cm	475cm	500cm	525cm	550cm	575cm	600cm	625cm	650cm	680cm	Width Drop
50cm	1909.03	1941.98	1974.99	2008.02	2040.98	2073.97	2106.90	2139.97	2172.94	2205.93	2238.89	2271.90	2304.92	2344.55	50cm
100cm	2052.92	2096.21	2139.96	2182.73	2226.01	2269.26	2312.53	2355.80	2399.08	2442.31	2485.62	2528.85	2572.12	2624.03	100cm
150cm	2196.84	2250.38	2303.93	2357.46	2411.02	2464.57	2518.11	2571.62	2625.16	2678.69	2732.26	2785.80	2839.37	2903.69	150cm
200cm	2340.75	2404.56	2468.41	2532.19	2595.99	2659.88	2723.71	2787.50	2851.34	2915.15	2978.96	3042.85	3106.62	3183.17	200cm
250cm	2484.64	2558.76	2632.85	2706.94	2781.04	2855.19	2929.23	3003.34	3077.43	3151.57	3225.66	3299.78	3373.86	3462.78	250cm
300cm	2628.52	2712.91	2797.28	2881.68	2966.04	3050.49	3134.83	3219.20	3303.62	3387.96	3472.35	3556.73	3641.13	3742.37	300cm
350cm	2772.46	2867.06	2961.81	3056.43	3151.12	3245.75	3340.39	3435.07	3529.66	3624.37	3719.01	3813.67	3908.38	4022.01	350cm
400cm	2916.33	3021.32	3126.19	3231.15	3336.12	3441.05	3545.95	3650.99	3755.83	3860.81	3965.67	4070.59	4175.63	4301.65	400cm
450cm	3060.23	3175.46	3290.69	3405.88	3521.12	3636.32	3751.53	3866.76	3981.97	4097.24	4212.30	4327.53	4442.86	450cm	
500cm	3204.13	3329.66	3455.18	3580.62	3706.13	3831.56	3957.12	4082.56	3329.31	4333.68	4458.94	4584.46	500cm		

Price Group 3R

- Aluscreen Futura
- Deep
- Jumbotex
- Newlifescreeen Alu
- Multicolour Dimout

Width Drop	350cm	375cm	400cm	425cm	450cm	475cm	500cm	525cm	550cm	575cm	600cm	625cm	650cm	680cm	Width Drop
50cm	2029.75	2071.32	2112.99	2154.62	2196.22	2237.81	2279.39	2279.39	2445.87	2404.25	2445.87	2404.25	2445.87	2404.25	50cm
100cm	2294.38	2354.89	2415.41	2475.90	2536.47	2596.97	2657.48	2717.98	2778.49	2839.01	2900.20	2839.01	2900.20	2839.01	100cm
150cm	2559.00	2637.98	2717.86	2797.26	2876.70	2956.06	3035.49	3114.88	3194.32	3273.73	3353.15	3273.73	3353.15	3273.73	150cm
200cm	2823.64	2921.94	3020.27	3118.59	3216.87	3315.20	3413.54	3511.81	3610.15	3708.49	3806.83	3708.49	3806.83	3708.49	200cm
250cm	3088.24	3205.46	3322.71	3439.89	3557.11	3674.37	3791.52	3908.78	4026.02	4143.25	4260.44	4143.25	4260.44	4143.25	250cm
300cm	3352.90	3488.97	3625.13	3761.26	3897.39	4033.50	4169.63	4305.76	4441.85	4577.94	4714.02	4577.94	4714.02	4577.94	300cm
350cm	3617.56	3772.53	3927.57	4082.57	4237.59	4392.59	4547.63	4702.69	4857.67	5012.73	5167.74	5012.73	5167.74	5012.73	350cm
400cm	3882.14	4056.07	4229.98	4403.90	4577.78	4751.72	4925.68	5099.61	5273.54	5447.45	5621.46	5447.45	5621.46	5447.45	400cm
450cm	4146.76	4339.53	4532.42	4725.25	4918.05	5110.87	5303.69	5497.79	5689.40	5882.17	5682.17	5882.17	5682.17	5682.17	450cm
500cm	4411.32	4623.16	4834.87	5046.59	5258.29	5470.02	5681.68	5893.37	6105.27	6316.88	6528.89	6316.88	6528.89	6316.88	500cm

SG 4970 Double Connected System Control Options Standard Radio Controlled option – With System 9940, see page 28.

Series 40 motors –With integrated radio receiver for operation with SG wireless system 9940 – add on £247.46 per system, see page 28.

NOTE: 24v Series 40 Motors are not supplied with power supplies (transformers) as standard. They must be ordered separately, see page 28.

SMART by Silent Gliss motors – for use with Silent Gliss Gateway and associated components – add on £247.46 per system, see page 28.

Side-Guiding: Side-guide wires with accessories: Please add £139.35 per side-by-side system.

Continuous Headrail

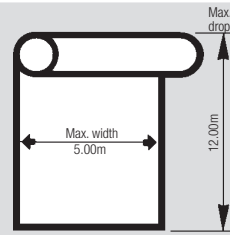
Provides an alternative to fitting to the wall or ceiling, supplied made to measure in grey, black or white £35.50 per m add on. Other custom colours available, pricing as per page 73.

Roller Blind Systems

SG 4880

Heavy duty electrically operated
Roller Blind system. Mains voltage.
Speed approx. 7cm/sec.

Max. surface area 36m²



Minimum width dependent
on motor type.
Refer to catalogue.

SG 4880 complete with fabric

The prices below comprise the complete system made-to-measure, ready to hang with fabric of your choice. Please be aware that due to the size capabilities of this system, larger sizes can only be achieved by welding the fabric. Fabrics that can be welded are indicated over in bold print. Please consult application chart (page 57) to ensure that fabric desired can be supplied in dimensions required.

Price Group 1R

Price Category 'C'

Width Drop	100cm	150cm	200cm	250cm	300cm	350cm	400cm	450cm	500cm	Width Drop
50cm	1640.10	1734.40	1828.77	1923.07	2017.39	2111.69	2206.00	2300.27	2394.64	50cm
100cm	1664.56	1771.08	1877.62	1984.09	2090.60	2197.17	2303.68	2410.21	2516.71	100cm
150cm	1688.96	1807.70	1926.41	2045.14	2163.91	2282.59	2401.35	2520.08	2638.81	150cm
200cm	1713.37	1844.30	1975.26	2106.19	2237.17	2368.06	2499.05	2629.92	2760.89	200cm
250cm	1737.80	1880.95	2024.10	2167.23	2310.39	2453.54	2596.68	2739.82	2882.98	250cm
300cm	1762.21	1917.58	2072.98	2228.29	2383.63	2536.99	2694.37	2849.76	3005.04	300cm
350cm	1786.64	1954.18	2121.77	2289.34	2456.90	2624.43	2792.02	2959.58	3127.15	350cm
400cm	1811.04	1990.83	2170.62	2350.35	2530.20	2709.95	2889.72	3069.50	3249.28	400cm
450cm	1835.47	2027.43	2219.42	2411.42	2603.41	2795.39	2987.40	3179.34	3371.34	450cm
500cm	1859.89	2064.10	2268.25	2472.49	2676.67	2880.86	3085.01	3289.30	3493.42	500cm
550cm	1884.34	2100.71	2317.09	2533.48	2749.94	2966.30	3182.71	3399.14	3615.51	550cm
600cm	1908.74	2137.35	2365.92	2594.53	2823.16	3051.77	3280.39	3508.98	3737.59	600cm
650cm	1933.18	2173.95	2414.70	2655.60	2896.42	3137.23	3378.05	3618.87		650cm
700cm	1957.60	2210.60	2463.57	2716.62	2969.71	3222.71	3475.74	3728.75		700cm
750cm	1982.03	2247.21	2512.42	2777.67	3042.96	3308.18	3573.41	3838.64		750cm
800cm	2006.45	2283.83	2561.27	2838.74	3116.17	3393.63	3671.07	3948.50		800cm
850cm	2030.83	2320.52	2610.09	2899.74	3189.46	3479.09	3768.68			850cm
900cm	2055.26	2357.11	2658.94	2960.80	3262.72	3564.54	3866.34			900cm
950cm	2079.65	2393.72	2707.76	3021.84	3335.95	3650.04				950cm
1000cm	2104.02	2430.40	2756.65	3082.94	3409.24	3735.43				1000cm
1050cm	2128.49	2466.99	2805.45	3143.96	3482.52					1050cm
1100cm	2152.90	2503.62	2854.30	3205.04	3555.75					1100cm
1150cm	2177.34	2540.25	2903.14	3266.04	3628.95					1150cm
1200cm	2201.70	2576.84	2952.02	3327.11	3702.19					1200cm

Price Group 2R

Width Drop	100cm	150cm	200cm	250cm	300cm	350cm	400cm	450cm	500cm	Width Drop
50cm	1671.15	1780.93	1890.71	2000.61	2110.43	2220.19	2329.96	2439.84	2549.58	50cm
100cm	1711.03	1840.82	1970.58	2100.40	2230.14	2359.92	2489.64	2619.47	2749.22	100cm
150cm	1750.95	1900.72	2050.38	2200.14	2349.85	2499.61	2649.34	2799.08	2948.80	150cm
200cm	1790.84	1960.58	2130.23	2299.95	2469.59	2639.35	2809.01	2978.71	3148.36	200cm
250cm	1830.79	2020.42	2210.09	2399.74	2589.41	2779.06	2968.69	3158.37	3347.96	250cm
300cm	1870.73	2080.32	2289.91	2499.52	2709.14	2918.73	3128.31	3337.97	3547.57	300cm
350cm	1910.65	2140.18	2369.71	2599.31	2828.90	3058.48	3288.01	3517.58	3747.17	350cm
400cm	1950.52	2200.03	2449.59	2699.09	2948.62	3198.17	3447.65	3697.23	3946.73	400cm
450cm	1990.48	2259.98	2529.43	2798.93	3068.42	3337.89	3607.35	3876.81	4146.29	450cm
500cm	2030.37	2319.85	2609.30	2898.72	3188.11	3477.55	3767.02	4056.49	4345.90	500cm
550cm	2070.29	2379.72	2689.08	2998.46	3307.92	3617.29	3926.71	4236.09	4545.50	550cm
600cm	2110.21	2439.57	2768.92	3098.30	3427.63	3756.98	4086.33	4415.71	4745.09	600cm
650cm	2150.11	2499.44	2848.74	3198.06	3547.43	3896.64	4246.04	4595.33		650cm
700cm	2190.04	2559.36	2928.56	3297.85	3667.12	4036.38	4405.68	4774.97		700cm
750cm	2229.95	2619.18	3008.42	3397.61	3786.92	4176.11	4565.38	4954.57		750cm
800cm	2269.86	2679.10	3088.24	3497.44	3906.64	4315.85	4724.99	5134.21		800cm
850cm	2309.85	2738.94	3168.06	3597.26	4026.36	4455.56	4884.73			850cm
900cm	2349.71	2798.81	3247.89	3697.05	4146.15	4595.26	5044.38			900cm
950cm	2389.63	2858.66	3327.75	3796.82	4265.91	4735.00				950cm
1000cm	2429.55	2918.58	3407.62	3896.60	4385.64	4874.70				1000cm
1050cm	2469.47	2978.47	3487.46	3996.43	4505.45					1050cm
1100cm	2509.38	3038.36	3567.28	4096.27	4625.12					1100cm
1150cm	2549.34	3098.19	3647.12	4196.01	4744.91					1150cm
1200cm	2589.21	3158.08	3726.96	4295.81	4864.67					1200cm

Price Group 3R

Width Drop	100cm	150cm	200cm	250cm	300cm	350cm	400cm	450cm	500cm	Width Drop
50cm	1738.15	1881.45	2024.74	2168.09	2311.38	2454.68	2597.98	2741.28	2884.58	50cm
100cm	1811.54	1991.55	2171.60	2351.55	2531.59	2711.68	2891.63	3071.66	3251.68	100cm
150cm	1884.96	2101.69	2318.37	2535.13	2715.86	2968.60	3185.26	3402.02	3618.71	150cm
200cm	1958.38	2211.82	2465.19	2718.66	2972.07	3225.51	3478.99	3732.34	3985.81	200cm
250cm	2031.77	2321.92	2612.03	2902.17	3192.33	3482.52	3772.60	4062.80	4352.83	250cm
300cm	2105.19	2432.10	2758.88	3085.76	3412.59	3739.42	4066.27	4393.14	4719.94	300cm
350cm	2178.54	2542.16	2905.67	3269.25	3632.82	3996.40	4359.91	4723.47	5086.99	350cm
400cm	2252.02	2652.29	3052.58	3452.82	3853.04	4253.32	4653.57	5053.83	5454.06	400cm
450cm	2325.44	2762.40	3199.39	3636.33	4073.27	4510.30	4947.26	5384.22	5821.17	450cm
500cm	2398.85	2872.53	3346.19	3819.91	4293.52	4767.22	5240.93	5714.59	6188.25	500cm
550cm	2472.25	2982.63	3493.01	4003.38	4513.85	5024.20	5534.49	6044.92	6555.29	550cm
600cm	2545.66	3092.78	3639.84	4186.95	4734.01	5281.12	5828.22	6375.33	6922.35	600cm
650cm	2619.11	3202.93	3786.70	4370.45	4954.31	5538.03	6121.83	6705.67		650cm
700cm	2692.44	3313.00	3933.49	4553.99	5174.51	5795.05	6415.57	7035.99		700cm
750cm	2765.93	3423.12	4080.33	4737.54	5394.80	6052.01	6709.20	7366.44		750cm
800cm	2839.34	3533.23	4227.17	4921.11	5615.04	6308.97	7002.85	7696.73		800cm
850cm	2912.77	3643.39	4374.03	5104.62	5835.29	6565.89	7296.51			850cm
900cm	2986.16	3753.54	4520.79	5288.11	6055.49	6822.84	7590.14			900cm
950cm	3059.58	3863.62	4667.67	5471.72	6275.74	7079.78				950cm
1000cm	3132.99	3973.74	4814.47	5655.21	6495.97	7336.73				1000cm
1050cm	3206.42	4083.89	4961.29	5838.75	6716.24					1050cm
1100cm	3279.83	4193.97	5108.13	6022.33	6936.46					1100cm
1150cm	3353.27	4304.10	5254.91	6205.81	7156.70					1150cm
1200cm	3426.62	4414.22	5401.77	6389.40	7376.96					1200cm

Side-Guiding of SG 4880 Side-guide wires are available as an option. Please add £241.21 per system (Cat. 'C').

Prices shown exclude VAT

System Control Options – Radio control standard option is with System 9940, see page 28.

Series 40 motors –With integrated radio receiver for operation with SG wireless system 9940 – add on £317.25 per system, see page 28.

NOTE: 24v Series 40 Motors are not supplied with power supplies (transformers) as standard. They must be ordered separately, see page 28.

SMART by Silent Gliss motors – for use with Silent Gliss Gateway and associated components – add on £317.25 per system, see page 28.



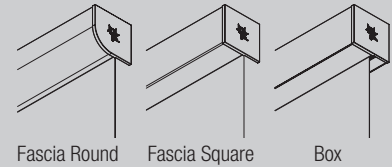
Roller Blind Systems

SG Roller Blind Box / Fascia

Supplied in white or black (Other RAL finishes available - see page 73 of the main price list)

For use on systems 4910, 4960, 4930 and 4970

Optional side channels available for 4960/4970 systems with fascia round, square or box



Roller Blind Fascia: Round or Square for systems 4910 / 4960											Small
Width	60cm	80cm	100cm	120cm	140cm	160cm	180cm	200cm	220cm	240cm	Price Cat
£	53.25	61.20	69.14	77.08	85.02	92.97	100.91	108.85	116.80	124.74	C

Roller Blind Fascia: Round or Square for systems 4910 / 4960 / 4930 / 4970															Large	
Width	60cm	80cm	100cm	120cm	140cm	160cm	180cm	200cm	220cm	240cm	260cm	280cm	300cm	320cm	340cm	Price Cat
£	93.74	107.19	120.64	134.09	147.54	160.99	174.44	187.89	201.35	214.80	228.25	241.70	255.15	268.60	282.05	C

Roller Blind Box: For use with systems 4910 / 4960											Small
Width	60cm	80cm	100cm	120cm	140cm	160cm	180cm	200cm	220cm	240cm	Price Cat
£	60.49	70.85	81.21	91.57	101.93	112.29	122.64	133.00	143.36	153.72	C

Roller Blind Box: For use with systems 4910 / 4960 / 4930 / 4970															Large	
Width	60cm	80cm	100cm	120cm	140cm	160cm	180cm	200cm	220cm	240cm	260cm	280cm	300cm	320cm	340cm	Price Cat
£	108.44	126.83	145.23	163.63	182.03	200.43	218.83	237.22	255.62	274.02	292.42	310.82	329.22	347.61	366.01	C

Side channels for systems 4960 / 4970											
Drop	50cm	100cm	150cm	200cm	250cm	300cm	350cm	400cm	450cm	500cm	Price Cat
£	23.92	47.83	71.75	95.66	119.58	143.49	167.41	191.33	215.24	239.16	C

Additional Notes:

Cannot be used with side guides or with double systems, but multiple blinds with a single fascia cover possible (dependant on system limitations).

When using the small fascia or box fabric drops are restricted, please see technical pages for information.

When using Fascia/Box Small or Large with systems 4910/4960, bottom bar SG11442 is supplied as standard.

When using Fascia/Box Large with systems 4930/4970 the standard bottom bar supplied will be SG10993.



Roller Blind Systems

Max System Height for Fascia/Box Small

(There are no drop restrictions for Fascia/Box Large)

Roller Blind Fabrics Collection 2022		Standard System without Box/Fascia		Standard System with S Box/Fascia	
		Max Height		Max Height	
Fabric	Thickness MM	4910	4960	4910	4960
Atracor	0.54	300	400	260	240
Colorama Acoustic	0.40	300	400	300	340
Colorama Acoustic Multicolor	0.40	300	400	300	340
Colorama 1	0.33	300	400	300	400
Colorama 1 Alu	0.40	300	400	300	340
Colorama 1 Bioactive	0.33	300	400	300	400
Colorama 1 Eco	0.33	300	400	300	400
Colorama 1 Multicolour	0.45	300	400	300	300
Reflex	0.36	300	400	300	400
Aluscreen Futura	0.45	300	400	300	300
Alutex	0.43	300	400	300	310
Colorama 2	0.52	300	400	280	260
Colorama 2 Bioactive	0.55	300	400	260	240
Colorama 2 Eco	0.52	300	400	280	260
Colorama 2 Multicolour	0.55	300	400	260	240
Jumbotex	0.80	280	400	180	160
Multi Visio	0.40	300	400	300	340
Multiscreen 1%	0.55	300	400	260	240
Multiscreen 10%	0.47	300	400	300	290
Multiscreen 5%	0.55	300	400	260	240
Safescreen	0.20	300	400	300	400
Versascreen 1%	0.70	300	400	200	180
Versascreen 2 %	0.63	300	400	220	200
Versascreen 5%	0.55	300	400	260	240
Versascreen 10%	0.55	300	400	260	240
Element	0.30	300	400	300	400
Multi Shadow	0.35	300	400	300	400
Deep	0.45	300	400	300	300
Mercuro	0.38	300	400	300	360
Moon	0.45	300	400	300	300
Multicolour Dimout	0.80	280	400	180	160
Puma	0.38	300	400	300	360
Newlifescreeen	0.55	300	400	260	240
Newlifescreeen Alu	0.55	300	400	260	240
Basicscreen 1%	0.65	300	400	220	200
Basicscreen 5%	0.55	300	400	260	240
Basicscreen 10%	0.50	300	400	290	270
Nox	0.44	300	400	300	310
Triscreen 1%	0.64	300	400	220	200
Triscreen 3%	0.63	300	400	220	200
Triscreen 5%	0.61	300	400	220	200

Max. System Height

Limitations in Height



Roller Blind Fabric Application Chart

Although each roller blind hardware system has its own width and drop restrictions, some of the bigger sizes may not be achievable due to limitations on original fabric width and whether the fabric can be used 'width for drop'. Always ensure the fabric for your roller blind system can be fitted within the guideline dimensions below. If in doubt please contact Silent Gliss.

System Info	Fabric Name	Fabric width cm	Fabric weight Grams	4900 Max m ² = 6 Max weight 2.2kg				4910 Max m ² = 7.2 Max weight 3kg				4930 Max m ² = 17 Max weight 7kg				4907 Max m ² = 4.5 Max weight 2.5kg			
				Max width 200cm		Max drop 300cm		Max width 240cm		Max drop 300cm		Max width 340cm		Max drop 500cm		Max width 180cm		Max drop 280cm	
				Maximising width	Drop cm	Maximising width	Drop cm	Maximising width	Drop cm	Maximising width	Drop cm	Maximising width	Drop cm	Maximising width	Drop cm	Maximising width	Drop cm	Maximising width	Drop cm
Aluscreen Futura	230	320	200	300	180	300	220	300	220	300	300	500	300	500	180	250	160	280	
Alutex	240	220	200	300	200	300	230	300	230	300	230	500	230	500	180	250	160	280	
Atracor	250	445	Fabric not suitable		Fabric not suitable		240	300	240	300	240	350	225	500	Fabric not suitable		Fabric not suitable		
Basic Screen 1%	250	480	Fabric not suitable		Fabric not suitable		240	260	210	300	300	400	250	500	180	250	150	280	
Basic Screen 5%	250	410	200	200	140	300	240	300	240	300	300	450	275	500	180	250	160	280	
Basic Screen 10%	250	340	200	230	180	300	240	300	240	300	300	500	300	500	180	280	160	280	
Colorama Acoustic	330	140	200	300	200	300	240	300	240	300	300	500	300	500	180	250	160	280	
Colorama Acoustic Multicolour	330	140	200	300	200	300	240	300	240	300	300	500	300	500	180	250	160	280	
Colorama 1	200	135	190	300	190	300	190	300	190	300	190	500	190	500	180	250	160	280	
*Colorama 1	340	135	200	300	200	300	240	300	240	300	330	500	330	500	180	250	160	280	
Colorama 1 Alu	290	255	200	300	200	300	240	300	240	300	280	500	280	500	180	250	160	280	
Colorama 1 Bioactive	340	130	200	300	200	300	240	300	240	300	300	500	300	500	180	250	160	280	
Colorama 1 Eco	340	135	200	300	200	300	240	300	240	300	300	500	300	500	180	250	160	280	
Colorama 1 Multicolour	330	130	200	300	200	300	240	300	240	300	300	500	300	500	180	250	160	280	
Colorama 2	200	250	190	300	190	300	190	300	190	300	190	500	190	500	180	250	160	280	
*Colorama 2	340	250	200	300	200	300	240	300	240	300	330	500	330	500	180	250	160	280	
Colorama 2 Bioactive	200	290	190	300	190	300	190	300	190	300	190	500	190	500	180	250	160	280	
Colorama 2 Eco	340	250	200	300	200	300	240	300	240	300	300	500	300	500	180	250	160	280	
Colorama 2 Multicolour	330	260	200	300	200	300	240	300	240	300	300	500	300	500	180	250	160	280	
Deep	290	325	200	200	160	300	240	300	240	300	280	500	280	500	180	250	160	280	
Triscreen 1%	250	460	Fabric not suitable		Fabric not suitable		240	260	210	300	300	300	250	500	Fabric not suitable		Fabric not suitable		
Triscreen 3%	250	450	Fabric not suitable		Fabric not suitable		240	300	240	300	300	350	250	500	Fabric not suitable		Fabric not suitable		
Triscreen 5%	250	430	200	200	140	300	240	300	240	300	300	300	275	500	180	250	160	280	
Element	235	220	200	300	200	300	225	300	225	300	225	500	225	500	180	250	160	280	
*Element	300	220	200	300	200	300	240	300	240	300	290	500	290	500	180	250	160	280	
Jumbotex	500	545	Fabric not suitable		Fabric not suitable		240	200	160	270	300	300	225	500	Fabric not suitable		Fabric not suitable		
Mercurio	235	340	200	230	180	300	225	300	225	300	225	500	225	500	180	250	160	280	
*Mercurio	300	340	200	230	180	300	240	300	240	300	290	500	290	500	180	250	160	280	
Moon	240	390	200	200	170	300	230	300	230	300	230	500	230	500	180	250	160	280	
Multi Shadow	235	170	200	300	200	300	230	300	230	300	230	500	230	500	180	250	160	280	
Multi Visio	240	210	200	300	200	300	230	300	230	300	230	500	230	500	180	250	160	280	
Multicolour Dimout	320	400	200	200	150	300	240	300	240	300	310	450	275	500	180	250	160	280	
Multiscreen 1%	250	440	Fabric not suitable		Fabric not suitable		240	300	240	300	300	400	250	500	180	250	160	280	
Multiscreen 5%	250	410	200	200	160	300	240	300	240	300	300	400	275	500	180	250	160	280	
Multiscreen 10%	250	350	200	230	180	300	240	300	240	300	300	500	300	500	180	250	160	280	
Newlife Screen	320	215	200	300	200	300	240	300	240	300	300	500	300	500	180	250	160	280	
Newlife Screen Alu	240	215	200	300	200	300	230	300	230	300	230	500	230	500	180	250	160	280	
Nox	305	340	200	230	180	300	240	300	240	300	300	500	290	500	180	250	160	280	
Puma	250	407	200	200	140	300	240	300	240	300	300	450	275	500	180	250	160	280	
*Puma	300	407	200	200	140	300	240	300	240	300	300	450	275	500	180	250	160	280	
Reflex	240	170	200	300	200	300	230	300	230	300	230	500	230	500	180	250	160	280	
Safescreen	240	170	200	300	200	300	230	300	230	300	230	500	230	500	180	250	160	280	
Versascreen 1%	300	520	Fabric not suitable		Fabric not suitable		240	200	180	300	300	350	225	500	Fabric not suitable		Fabric not suitable		
Versascreen 2%	300	510	Fabric not suitable		Fabric not suitable		240	210	180	300	300	350	225	500	Fabric not suitable		Fabric not suitable		
Versascreen 5%	300	420	200	190	140	300	240	300	240	300	300	450	275	500	180	250	160	280	
Versascreen 10%	300	400	200	200	150	300	240	300	240	300	300	450	275	500	180	250	160	280	

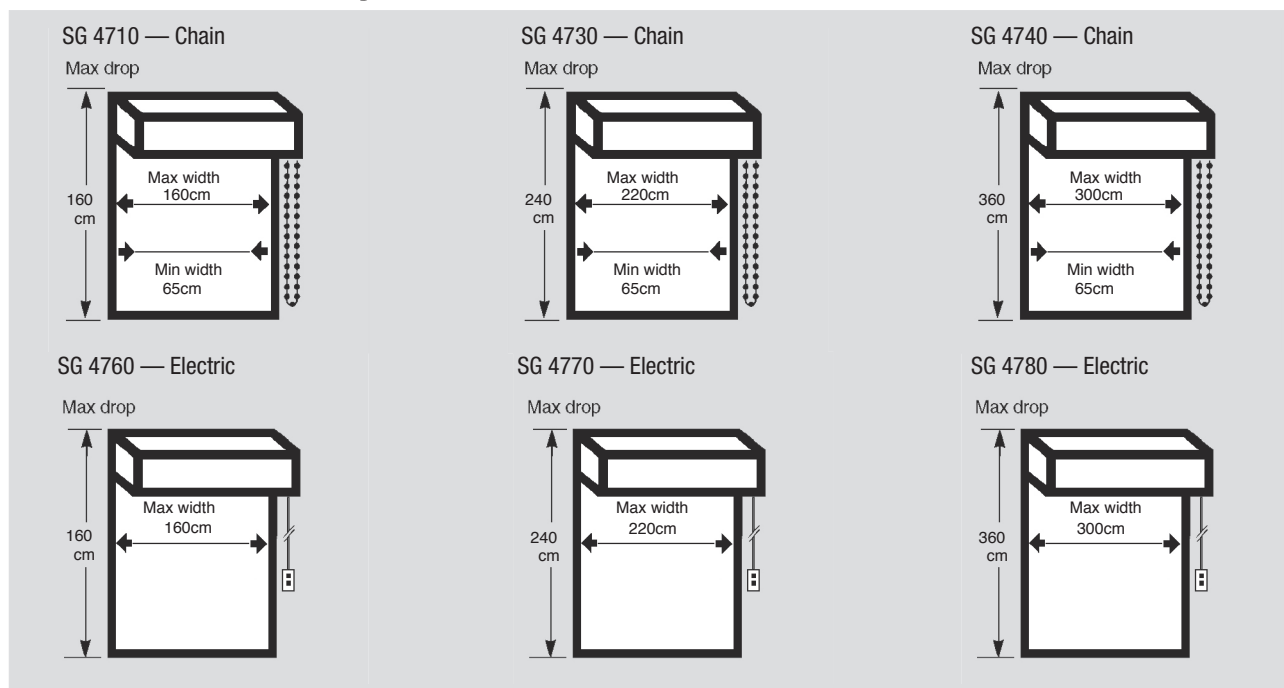
*Mercurio only available in 300cm in colours 1 4 28 35 and 44 *Puma only available in colours, 900, 909 and 933 *Element only available in colours 01/02/04/17

*Colorama 1 and 2 in 340cm width only available on colours 400/401/402/410/427/429/440/442/447

System Info	Fabric Name	Fabric width cm	Fabric weight Grams	4840 Max m ² = 15				4955 Max m ² = 9.6				4960 Max m ² = 9.6				4970 Max m ² = 17				4880 Max m ² = 36			
				Max width 500cm		Max drop 600cm		Max width 240cm		Max drop 400cm		Max width 240cm		Max drop 400cm		Max width 340cm		Max drop 500cm		Max width 500cm		Max drop 1200cm	
				Maximising width	Drop cm	Maximising width	Drop cm	Maximising width	Drop cm	Maximising width	Drop cm	Maximising width	Drop cm	Maximising width	Drop cm	Maximising width	Drop cm	Maximising width	Drop cm	Maximising width	Drop cm	Maximising width	Drop cm
Aluscreen Futura	230	320	500	300	250	600	220	260	160	390	240	400	240	400	300	500	300	500	500	720	300	1200	
Alutex	240	220	230	600	230	600	230	340	220	390	230	160	230	400	230	500	230	500	230	1200	230	1200	
Atracor	250	445	240	450	240	600	240	170	100	320	240	400	240	400	240	500	240	500	240	1000	240	1200	
Basic Screen 1%	250	480	500	290	240	600	240	150	150	270	240	400	240	400	300	500	300	500	500	720	300	1200	
Basic Screen 5%	250	410	500	300	250	600	240	180	155	320	240	400	240	400	300	500	300	500	500	720	300	1200	
Basic Screen 10%	250	340	500	300	250	600	240	210	170	350	240	400	240	400	300	500	300	500	500	720	300	1200	
Colorama Acoustic	330	140	320	450	250	600	240	400	240	400	240	400	240	400	300	500	300	500	320	1000	300	1200	
Colorama Acoustic Multicolour	330	140	320	450	250	600	240	400	240	400	240	400	240	400	300	500	300	500	320	1000	300	1200	
Colorama 1	200	135	190	600	190	600	190	400	190	400	190	400	190	400	190	500	190	500	190	1200	190	1200	
*Colorama 1	340	135	330	450	250	600	240	400	240	400	240	400	240	400	330	500	330	500	330	1000	300	1200	
Colorama 1 Alu	290	255	230	600	230	600	230	310	220	320	240	400	240	400	280	500	280	500	280	1200	280	1200	
Colorama 1 Bioactive	340	130	330	450	250	600	240	400	240	400	240	400	240	400	300	500	300	500	330	1000	300	1200	
Colorama 1 Eco	340	135	330	450	250	600	240	400	240	400	240	400	240	400	300	500	300	500	330	1000	300	1200	
Colorama 1 Multicolour	330	130	320	450	250	600	240	400	240	390	240	400	240	400	300	500	300	500	320	1000	3000	1200	
Colorama 2	200	250	190	600	190	600	190	400	190	400	190	400	190	400	190	500	190	500	190	1200	190	1200	
*Colorama 2	340	250	330	450	250	600	240	300	210	350	240	400	240	400	330	500	330	500	330	1000	300	1200	
Colorama 2 Bioactive	200	290	190	600	190	600	190	350	190	350	190	400	190	400	190	500	190	500	190	1200	190	1200	
Colorama 2 Eco	340	250	330	450	230	600	240	290	190	320	240	400	240	400	300	500	300	500	330	1000	300	1200	
Colorama 2 Multicolour	330	260	320	450	230	600	240	290	190	320	240	400	240	400	300	500	300	500	320	1000	300	1200	
Deep	290	325	280	520	250	600	240	230	160	390	240	400											



Dim-Out Blind Systems



Price category C

The prices in the tables comprise the complete system made-to-measure, with fabric chosen, ready to install.

Colours: White or black available as standard.
Other colours special orders - consult with Silent Gliss pricing, see page 73 (Accessories available in white or black only)

If sizes lie between the measurements shown, the price for the next larger size will apply.

Note: Laminated customer own fabric not available.
*If welded, white not recommended as discolours.

SG 4710 - Chain (Headbox size: 73mm)

Price Group 1R

Puma

Width	65cm	80cm	100cm	120cm	140cm	160cm	Width
Drop (cm)							Drop (cm)
60	303.11	324.86	353.80	382.83	411.86	440.82	60
80	328.61	350.38	379.34	408.37	437.40	466.34	80
100	354.15	375.91	404.86	433.89	462.91	491.87	100
120	379.66	401.44	430.38	459.41	488.45	517.41	120
140	405.21	426.96	455.92	484.94	513.97	542.92	140
160	430.73	452.50	481.44	510.49	539.50	568.47	160

Price Group 2R

Basic Screen 5%
Mercurio
Nox

Width	65cm	80cm	100cm	120cm	140cm	160cm	Width
Drop (cm)							Drop (cm)
60	407.62	429.35	458.39	487.35	516.36	545.38	60
80	446.24	467.99	496.97	525.97	554.94	583.96	80
100	484.80	506.56	535.58	564.55	593.58	622.54	100
120	523.43	545.18	574.15	603.17	632.13	661.16	120
140	562.01	583.76	612.79	641.75	670.78	699.73	140
160	600.56	622.30	651.34	680.30	709.32	738.37	160

Price Group 3R

Moon

Width	65cm	80cm	100cm	120cm	140cm	160cm	Width
Drop (cm)							Drop (cm)
60	479.86	501.63	530.66	559.69	588.65	617.66	60
80	527.53	549.29	578.30	607.27	636.29	665.32	80
100	575.16	596.92	625.95	654.89	683.93	712.87	100
120	622.79	644.54	673.51	702.55	731.55	760.53	120
140	670.45	692.20	721.16	750.19	779.15	808.18	140
160	718.01	739.76	768.81	797.82	826.79	855.80	160

All prices shown exclude VAT



Dim-Out Blind System SG 4730 - Chain (Headbox size: 90mm)

Price category C

Price Group 1R - Puma

Width	65cm	80cm	100cm	120cm	140cm	160cm	180cm	200cm	220cm	Width
Drop cm										Drop cm
60	361.99	385.29	416.38	447.55	478.64	509.71	678.73	709.80	740.91	60
80	387.49	410.83	441.91	473.07	504.15	535.24	721.49	752.57	783.71	80
100	413.03	436.37	467.45	498.60	529.69	560.76	764.23	795.38	826.47	100
120	438.56	461.88	492.95	524.13	555.21	586.31	807.04	838.14	869.22	120
140	464.08	487.41	518.51	549.65	580.74	611.81	849.80	880.88	911.97	140
160	489.61	512.94	544.02	575.20	606.26	637.37	892.55	923.63	954.71	160
180	515.14	538.47	569.54	600.64	631.80	662.87	935.31	966.40	997.54	180
200	540.66	564.00	595.08	626.15	657.33	688.40	978.05	1009.19	1040.28	200
220	566.21	589.53	620.59	651.70	682.83	713.93	1020.85	1051.96	1083.05	220
240	591.72	615.04	646.13	677.20	708.39	739.45	1105.62	1136.75	1167.87	240

Price Group 2R - Basic Screen 5%, Mercurio and Nox

Width	65cm	80cm	100cm	120cm	140cm	160cm	180cm	200cm	220cm	Width
Drop cm										Drop cm
60	466.55	489.88	520.98	552.05	583.15	614.23	645.37	718.87	749.95	60
80	505.10	528.44	559.53	590.62	621.76	652.85	683.94	762.78	793.87	80
100	543.75	567.00	598.16	629.26	660.34	691.42	722.50	806.63	837.79	100
120	582.33	605.65	636.73	667.82	698.90	730.06	761.13	850.55	881.63	120
140	620.87	644.22	675.28	706.45	737.54	768.62	799.73	894.47	925.55	140
160	659.52	682.83	713.93	745.00	776.10	807.18	838.33	930.39	961.47	160
180	698.06	721.39	752.50	783.57	814.74	845.83	876.92	1024.31	1055.38	180
200	736.71	759.98	791.12	822.22	853.30	884.39	915.48	1068.15	1099.30	200
220	775.28	798.61	829.69	860.78	891.86	922.95	954.04	1112.06	1143.16	220
240	813.84	837.17	868.25	899.41	930.51	1003.66	1034.73	1155.99	1187.07	240

Price Group 3R - Moon

Width	65cm	80cm	100cm	120cm	140cm	160cm	180cm	200cm	220cm	Width
Drop cm										Drop cm
60	538.83	562.16	593.24	624.34	655.41	686.56	717.65	748.73	779.82	60
80	586.48	609.82	640.88	671.97	703.05	734.16	765.30	796.39	827.47	80
100	634.04	657.37	688.52	719.61	750.70	781.77	812.87	844.01	875.11	100
120	681.70	705.02	736.11	767.25	798.33	829.42	860.50	891.58	922.74	120
140	729.33	752.65	783.73	814.83	845.99	877.05	908.16	939.24	970.31	140
160	776.96	800.30	831.38	862.47	893.55	924.70	955.80	986.87	1017.97	160
180	824.61	847.95	879.04	910.12	941.20	972.29	1003.44	1034.52	1065.68	180
200	872.20	895.52	926.66	957.74	988.84	1019.92	1051.00	1082.16	1113.32	200
220	919.82	943.15	974.22	1005.40	1036.48	1067.56	1098.65	1129.79	1160.93	220
240	967.47	990.79	1021.88	1052.96	1084.13	1115.20	1146.36	1177.50	1208.64	240

Dim-Out Roller Blind SG 4740 - Chain (Headbox size: 110mm)

Price category C

Price Group 1R - Puma

Width	65cm	80cm	100cm	120cm	140cm	160cm	180cm	200cm	220cm	240cm	260cm	280cm	300cm	Width
Drop cm														Drop cm
60	479.61	509.18	548.56	588.01	627.39	666.77	844.09	883.50	922.87	962.28	1001.72	1041.12	1080.50	60
80	504.57	534.14	573.53	612.98	652.38	691.76	886.30	925.70	965.10	1004.55	1043.93	1083.32	1122.70	80
100	529.55	559.13	598.52	637.90	677.36	716.73	928.50	967.96	1007.34	1046.76	1086.13	1125.52	1164.91	100
120	554.53	584.10	623.48	662.87	702.32	741.70	970.78	1010.16	1049.56	1088.93	1128.33	1167.73	1207.18	120
140	579.51	609.08	648.48	687.86	727.31	766.71	1012.98	1052.36	1091.76	1131.14	1170.60	1209.98	1249.39	140
160	604.48	634.05	673.45	712.82	752.28	791.68	1055.19	1094.58	1133.96	1173.36	1212.81	1252.19	1291.58	160
180	629.47	659.03	698.43	737.80	777.28	816.66	1097.38	1136.75	1176.23	1215.61	1255.01	1294.39	1333.76	180
200	654.44	684.01	723.40	762.78	802.24	841.63	1139.58	1179.04	1218.43	1257.83	1297.21	1336.61	1376.04	200
220	679.42	708.98	748.38	787.76	827.23	866.61	1181.87	1221.23	1260.63	1300.01	1339.41	1378.81	1418.24	220
240	704.39	733.95	773.35	812.72	852.21	891.58	1224.08	1263.45	1302.84	1342.21	1381.61	1421.01	1460.46	240
260	729.38	758.94	798.33	837.72	877.18	916.56	1266.27	1305.66	1345.02	1384.41	1423.81	1463.21	1502.65	260
280	754.35	783.92	823.32	862.69	902.09	941.53	1308.45	1347.84	1387.23	1426.61	1466.00	1505.47	1544.84	280
300	779.33	808.91	848.29	887.68	927.08	966.51	1350.67	1390.13	1429.51	1468.91	1508.27	1547.67	1587.12	300
320	804.31	833.88	873.25	912.67	952.05	991.49	1392.88	1432.41	1471.90	1511.38	1550.86	1590.34	1629.76	320
340	829.28	858.85	898.21	937.65	977.02	1016.47	1435.09	1474.69	1514.23	1553.71	1593.19	1632.67	1672.10	340
360	854.26	883.84	923.19	962.65	1002.01	1041.44	1477.31	1516.98	1556.51	1596.01	1635.50	1675.00	1714.48	360

Price Group 2R - Basic Screen 5%, Mercurio and Nox (up to 260cm)

Width	65cm	80cm	100cm	120cm	140cm	160cm	180cm	200cm	220cm	240cm	260cm	280cm	300cm	Width
Drop cm														Drop cm
60	541.00	574.22	618.40	662.60	706.79	750.98	795.17	881.86	926.03	970.23	1084.76	1128.95	1173.12	60
80	579.63	612.79	656.98	701.17	745.43	789.63	833.82	925.77	969.96	1014.16	1137.45	1181.65	1225.85	80
100	618.20	651.34	695.59	739.81	783.98	828.17	872.36	969.61	1013.87	1058.07	1190.09	1234.34	1278.55	100
120	656.85	689.98	734.19	778.38	822.56	866.82	911.02	1013.52	1057.73	1101.91	1242.78	1286.98	1331.24	120
140	695.40	728.54	772.73	817.00	861.20	905.39	949.59	1057.46	1101.64	1145.84	1295.49	1339.68	1426.15	140
160	733.95	767.19	811.37	855.57	899.76	943.95	988.20	1101.30	1145.55	1189.75	1348.18	1434.60	1478.78	160
180	772.59	805.75	849.95	894.13	938.39	982.58	1026.78	1145.20	1189.39	1233.59	1443.11	1487.29	1531.48	180
200	811.18	844.32	888.56	932.76	976.95	1021.15	1065.33	1189.12	1233.32	1319.77	1495.80	1540.00	1584.19	200
220	849.80	882.94	927.14	971.32	1015.53	1059.76	1103.97	1232.98	1277.24	1363.64	1548.44	1592.64	1636.88	220
240	888.36	921.51	965.69	1009.97	1054.16	1098.35	1142.53	1276.91	1363.34	1449.75	1601.12	1645.31	1689.51	240
260	926.94	960.15	1004.32	1048.53	1092.71	1136.90	1181.15	1363.00	1407.20	1451.45	1653.82	1698.01	1742.21	260
280	965.55	998.70	1042.91	1087.09	1131.36	1175.53	1219.74	1406.93	1451.14	1495.31	1706.45	1750.72	1794.91	280
300	1004.13	1037.27	1081.53	1125.71	1169.90	1214.10	1300.57	1450.85	1495.02	1539.25	1759.17	1803.34	1847.60	300
320	1042.70	1075.85	1119.82	1164.34	1208.44	1252.68	1381.39	1494.77	1538.92	1583.17	1811.87	1855.95	1900.30	320
340	1081.27	1114.42	1158.77	1202.95	1246.98	1291.25	1462.21	1538.70	1582.80	1627.11	1864.58	1908.57	1953.00	340
360	1119.85	1152.99	1197.39	1241.57	1285.53	1329.82	1543.03	1582.61	1626.70	1671.04	1917.29	1961.19	2005.69	360

Price Group 3R - Moon

Width	65cm	80cm	100cm	120cm	140cm	160cm	180cm	200cm	220cm	240cm	260cm	280cm	300cm	Width
Drop cm														Drop cm
60	656.47	686.02	725.41	764.79	804.17	843.56	883.02	922.42	961.80	1000.07				60
80	703.55	733.06	772.50	811.88	851.28	890.67	930.07	969.51	1008.92	1047.77				80
100	750.58	780.13	819.52	858.98	898.36	937.75	977.14	1016.52	1055.98	1095.39				100
120	797.68	827.23	866.61	906.00	945.47	984.84	1024.24	1063.61	1103.03	1142.40				120
140	844.76	874.32	913.70	953.10	992.49	1031.96	1071.33	1110.72	1150.11	1190.65				140
160	891.84	921.41	960.79	1000.21	1039.57	1078.97	1118.43	1157.81	1197.20	1238.25				160
180	938.95	968.43	1007.89	1047.30	1086.67	1126.07	1165.46	1204.92	1244.30					



Dim-Out Blind System SG 4760 - Electric (Headbox size: 73mm)

Price category C

Price Group 1R - Puma

Width	65cm	80cm	100cm	120cm	140cm	160cm	Width
Drop cm							Drop cm
60	990.95	1021.39	1061.95	1102.59	1143.23	1183.77	60
80	1026.67	1057.13	1097.68	1138.32	1178.95	1219.50	80
100	1062.44	1092.88	1133.41	1174.06	1214.69	1255.23	100
120	1098.17	1128.61	1169.17	1209.80	1250.43	1290.97	120
140	1133.91	1164.36	1204.91	1245.54	1286.17	1326.72	140
160	1169.65	1200.08	1240.63	1281.28	1321.90	1362.45	160

Price Group 2R - Basic Screen 5%, Mercurio and Nox

Width	65cm	80cm	100cm	120cm	140cm	160cm	Width
Drop cm							Drop cm
60	1137.26	1167.73	1208.36	1248.90	1289.53	1330.16	60
80	1191.33	1221.78	1262.33	1302.98	1343.52	1384.16	80
100	1245.34	1275.79	1316.44	1356.98	1397.61	1438.17	100
120	1299.41	1329.79	1370.42	1411.07	1451.61	1492.25	120
140	1353.42	1383.88	1424.39	1465.06	1505.69	1546.22	140
160	1407.42	1437.85	1478.50	1519.04	1559.67	1600.31	160

Price Group 3R - Moon

Width	65cm	80cm	100cm	120cm	140cm	160cm	Width
Drop cm							Drop cm
60	1238.38	1268.85	1309.49	1350.12	1390.66	1431.29	60
80	1305.08	1335.54	1376.18	1416.71	1457.34	1497.98	80
100	1371.78	1402.22	1442.86	1483.40	1524.03	1564.58	100
120	1438.46	1468.92	1509.44	1550.08	1590.71	1631.26	120
140	1505.15	1535.61	1576.16	1616.79	1657.32	1697.95	140
160	1571.74	1602.19	1642.84	1683.47	1724.02	1764.65	160

System Control Options – Radio control standard option is with System 9940, see page 28.

Series 40 motors –With integrated radio receiver for operation with SG wireless system 9940 – add on £247.46 per system, see page 28.

NOTE: 24v Series 40 Motors are not supplied with power supplies (transformers) as standard. They must be ordered separately, see page 28.

SMART by Silent Gliss motors – for use with Silent Gliss Gateway and associated components – add on £247.46 per system, see page 28.

Dim-Out Roller Blind SG 4770 - Electric (Headbox size: 90mm)

Price category C

Price Group 1R - Puma

Width	65cm	80cm	100cm	120cm	140cm	160cm	180cm	200cm	220cm	Width
Drop cm										Drop cm
60	1002.02	1034.68	1078.18	1121.71	1165.22	1208.83	1445.45	1488.97	1532.48	60
80	1037.75	1070.42	1113.91	1157.45	1200.95	1244.57	1505.31	1548.83	1592.33	80
100	1073.48	1106.14	1149.65	1193.19	1236.71	1280.31	1565.14	1608.67	1652.19	100
120	1109.21	1141.87	1185.39	1228.91	1272.45	1316.05	1625.01	1668.54	1712.14	120
140	1144.95	1177.61	1221.13	1264.65	1308.19	1351.80	1684.85	1728.47	1771.99	140
160	1180.69	1213.35	1256.86	1300.40	1343.91	1387.51	1744.80	1788.33	1831.86	160
180	1216.43	1249.09	1292.60	1336.13	1379.65	1423.25	1804.66	1848.16	1891.70	180
200	1252.17	1284.83	1328.33	1371.86	1415.40	1458.98	1864.50	1908.01	1951.54	200
220	1287.90	1320.57	1364.08	1407.61	1451.14	1494.63	1924.36	1967.87	2011.48	220
240	1323.63	1356.30	1399.81	1443.33	1486.86	1530.39	1984.20	2027.82	2071.32	240

Price Group 2R - Basic Screen 5%, Mercurio and Nox

Width	65cm	80cm	100cm	120cm	140cm	160cm	180cm	200cm	220cm	Width
Drop cm										Drop cm
60	1148.32	1180.98	1224.49	1268.12	1311.63	1355.14	1398.68	1501.66	1545.16	60
80	1202.41	1235.07	1278.59	1322.11	1365.60	1409.14	1452.74	1563.04	1606.64	80
100	1256.39	1289.06	1332.57	1376.07	1419.70	1463.22	1506.74	1624.53	1668.04	100
120	1310.47	1343.04	1386.66	1430.17	1473.69	1517.22	1560.73	1686.01	1729.54	120
140	1364.46	1397.13	1440.66	1484.17	1527.69	1571.32	1614.81	1747.40	1791.01	140
160	1418.47	1451.14	1494.63	1538.25	1581.79	1625.28	1668.80	1808.87	1852.40	160
180	1472.53	1505.20	1548.71	1592.26	1635.75	1679.27	1722.89	1870.37	1913.89	180
200	1526.55	1559.21	1602.73	1646.24	1689.86	1733.37	1776.90	1931.77	1975.37	200
220	1580.64	1613.19	1656.81	1700.34	1743.85	1787.34	1830.86	1993.25	2036.75	220
240	1634.62	1667.28	1710.80	1754.31	1797.81	1841.44	1884.96	2054.73	2098.22	240

Price Group 3R - Moon

Width	65cm	80cm	100cm	120cm	140cm	160cm	180cm	200cm	220cm	Width
Drop cm										Drop cm
60	1249.52	1282.09	1325.71	1369.23	1412.75	1456.26	1499.79	1543.39	1586.93	60
80	1316.13	1348.81	1392.32	1435.93	1479.45	1522.98	1566.48	1610.00	1653.61	80
100	1382.81	1415.48	1458.98	1502.52	1546.13	1589.66	1633.17	1676.70	1720.20	100
120	1449.50	1482.17	1525.68	1569.21	1612.74	1656.35	1699.86	1743.37	1786.88	120
140	1516.18	1548.86	1592.39	1635.91	1679.42	1722.93	1766.55	1810.08	1853.58	140
160	1582.90	1615.44	1659.06	1702.59	1746.11	1789.63	1833.16	1876.76	1920.27	160
180	1649.49	1682.16	1725.67	1769.29	1812.80	1856.33	1899.85	1943.35	1986.98	180
200	1716.16	1748.83	1792.35	1835.88	1879.48	1923.02	1966.53	2010.06	2053.57	200
220	1782.85	1815.52	1859.04	1902.57	1946.09	1989.70	2033.22	2076.74	2120.24	220
240	1849.55	1882.21	1925.73	1969.26	2012.77	2056.30	2099.90	2143.44	2186.95	240

System Control Options – Radio control standard option is with System 9940, see page 28.

Series 40 motors –With integrated radio receiver for operation with SG wireless system 9940 – add on £247.46 per system, see page 28.

NOTE: 24v Series 40 Motors are not supplied with power supplies (transformers) as standard. They must be ordered separately, see page 28.

SMART by Silent Gliss motors – for use with Silent Gliss Gateway and associated components – add on £247.46 per system, see page 28.

All prices shown exclude VAT



Dim-Out Blind System SG 4780 - Electric (Headbox size: 110mm)

Price category C

Price Group 1R - Puma

Width	65cm	80cm	100cm	120cm	140cm	160cm	180cm	200cm	220cm	240cm	260cm	280cm	300cm	Width
Drop cm														Drop cm
60	1158.32	1201.06	1258.01	1314.99	1372.05	1429.02	1679.09	1736.07	1793.02	1850.00	1907.06	1964.02	2021.01	60
80	1194.06	1236.81	1293.75	1350.73	1407.79	1464.76	1738.94	1795.91	1852.87	1909.93	1966.91	2023.87	2080.85	80
100	1229.79	1272.52	1329.51	1386.47	1443.52	1500.50	1798.80	1855.76	1912.81	1969.80	2026.76	2083.75	2140.69	100
120	1265.54	1308.26	1365.24	1422.20	1479.25	1536.25	1858.64	1915.71	1972.68	2029.64	2086.60	2143.60	2200.63	120
140	1301.28	1344.01	1400.97	1457.95	1515.01	1571.97	1918.60	1975.54	2032.52	2089.50	2146.46	2203.53	2260.50	140
160	1337.02	1379.75	1436.71	1493.68	1550.74	1607.71	1978.45	2035.40	2092.38	2149.34	2206.40	2263.38	2320.37	160
180	1372.74	1415.48	1472.45	1529.42	1586.37	1643.45	2038.28	2095.26	2152.23	2209.29	2266.28	2323.22	2380.20	180
200	1408.49	1451.21	1508.20	1565.14	1622.12	1679.20	2098.14	2155.11	2212.17	2269.14	2326.12	2383.09	2440.05	200
220	1444.23	1486.95	1543.93	1600.89	1657.85	1714.92	2158.00	2215.06	2272.04	2329.00	2385.96	2442.93	2499.99	220
240	1479.98	1522.70	1579.65	1636.63	1693.59	1750.65	2217.93	2274.91	2331.87	2388.84	2445.82	2502.88	2559.86	240
260	1515.70	1558.43	1615.39	1672.36	1729.33	1786.39	2277.80	2334.77	2391.74	2448.70	2505.77	2562.74	2619.69	260
280	1551.45	1594.18	1651.12	1708.09	1765.07	1822.13	2337.64	2394.60	2451.59	2508.65	2565.61	2622.57	2679.55	280
300	1587.17	1629.91	1686.87	1743.85	1800.80	1857.87	2397.51	2454.46	2511.53	2568.51	2625.46	2682.45	2739.40	300
320	1622.90	1665.63	1722.63	1779.63	1836.63	1893.62	2457.37	2514.31	2571.46	2628.35	2685.30	2742.33	2799.26	320
340	1658.64	1701.36	1758.38	1815.36	1872.27	1929.36	2517.24	2574.17	2631.21	2688.21	2745.15	2802.21	2859.12	340
360	1694.37	1737.10	1794.13	1851.11	1908.00	1965.10	2577.10	2634.06	2691.03	2748.07	2804.99	2862.07	2918.96	360

Price Group 2R - Basic Screen 5% (up to 300cm), Mercurio and Nox (up to 260cm)

Width	65cm	80cm	100cm	120cm	140cm	160cm	180cm	200cm	220cm	240cm	260cm	280cm	300cm	Width
Drop cm														Drop cm
60	1369.07	1415.48	1477.34	1539.22	1601.16	1663.06	1724.91	1786.79	1972.40	2034.25	2096.12	2158.08	2219.96	60
80	1408.86	1455.24	1517.11	1579.07	1640.94	1702.82	1764.68	1826.56	2027.62	2089.50	2151.46	2213.33	2275.18	80
100	1448.64	1495.13	1556.99	1618.86	1680.71	1742.60	1804.54	1866.43	2082.86	2144.84	2206.71	2268.57	2330.42	100
120	1488.47	1534.90	1596.76	1658.64	1720.49	1782.46	1844.33	1906.19	2138.21	2200.06	2261.94	2323.81	2385.69	120
140	1528.27	1574.67	1636.53	1698.40	1760.36	1822.24	1884.10	1945.96	2193.44	2255.31	2317.18	2379.03	2441.02	140
160	1568.03	1614.45	1676.31	1738.26	1800.15	1862.02	1923.87	1985.75	2248.67	2310.55	2372.42	2434.39	2496.24	160
180	1607.81	1654.20	1716.16	1778.03	1839.92	1901.78	1963.65	2025.62	2303.93	2365.78	2427.75	2489.63	2551.49	180
200	1647.69	1694.07	1755.93	1817.80	1879.67	1941.56	2003.51	2065.40	2359.17	2421.12	2483.00	2544.87	2606.74	200
220	1687.45	1733.86	1795.71	1857.61	1919.54	1981.43	2043.29	2105.17	2414.50	2476.36	2538.23	2600.12	2661.97	220
240	1727.22	1773.62	1835.49	1897.45	1959.33	2021.19	2083.07	2144.92	2469.74	2531.61	2593.48	2655.35	2717.31	240
260	1767.00	1813.41	1875.34	1937.23	1999.09	2060.97	2122.83	2184.81	2524.96	2586.83	2648.72	2710.67	2772.56	260
280	1806.76	1853.25	1915.14	1977.01	2038.88	2100.73	2162.71	2224.57	2580.21	2642.08	2704.05	2765.91	2827.76	280
300	1846.64	1893.03	1954.91	2016.79	2078.64	2140.62	2202.47	2264.35	2635.45	2697.41	2759.29	2821.15	2883.03	300
320	1886.51	1932.80	1994.68	2056.56	2118.40	2180.50	2242.23	2304.12	2690.68	2752.76	2814.51	2876.38	2938.30	320
340	1926.39	1972.59	2034.44	2096.33	2158.17	2220.39	2282.00	2343.89	2745.92	2808.09	2869.75	2931.62	2993.58	340
360	1966.27	2012.36	2074.20	2136.11	2197.93	2260.28	2321.76	2383.68	2801.16	2863.43	2924.99	2986.86	3048.85	360

Price Group 3R - Moon

Width	65cm	80cm	100cm	120cm	140cm	160cm	180cm	200cm	220cm	240cm	260cm	280cm	300cm	Width
Drop cm														Drop cm
60	1405.77	1448.61	1505.55	1562.52	1619.49	1676.45	1733.52	1790.50	1847.45	1871.51				60
80	1472.45	1515.19	1572.26	1629.22	1686.17	1743.16	1800.12	1857.19	1914.14	1938.19				80
100	1539.15	1581.87	1638.83	1695.90	1752.87	1809.85	1866.80	1923.78	1980.86	2004.96				100
120	1605.83	1648.54	1705.54	1762.49	1819.55	1876.53	1933.50	1990.47	2047.42	2071.62				120
140	1672.52	1715.24	1772.24	1829.18	1886.16	1943.23	2000.20	2057.15	2114.12	2138.29				140
160	1739.12	1781.96	1838.91	1895.87	1952.85	2009.80	2066.87	2123.86	2180.80	2204.96				160
180	1805.81	1848.54	1905.60	1962.58	2019.53	2076.52	2133.48	2190.56	2247.51	2271.64				180
200	1872.51	1915.23	1972.20	2029.25	2086.23	2143.20	2200.17	2257.13	2314.21	2338.32				200
220	1939.19	1981.90	2038.89	2095.85	2152.92	2209.88	2266.86	2323.82	2380.78	2404.99				220
240	2005.88	2048.62	2105.58	2162.56	2219.51	2276.58	2333.56	2390.51	2447.50	2471.66				240
260	2072.49	2115.31	2172.26	2229.24	2286.20	2343.16	2400.23	2457.20	2514.18	2538.34				260
280	2139.16	2181.89	2238.96	2295.94	2352.89	2409.88	2466.84	2523.91	2580.88	2605.00				280
300	2205.86	2248.58	2305.57	2362.61	2419.60	2476.56	2533.52	2590.49	2647.56	2671.68				300
320	2272.56	2315.26	2372.17	2429.29	2486.29	2543.25	2600.19	2657.08	2714.25	2738.35				320
340	2339.26	2381.96	2438.78	2495.96	2552.99	2552.99	2666.86	2723.66	2780.93	2805.03				340
360	2405.96	2448.64	2505.39	2562.63	2619.68	2676.62	2733.54	2790.25	2847.62	2871.70				360

System Control Options – Radio control standard option is with System 9940, see page 28.

Series 40 motors –With integrated radio receiver for operation with SG wireless system 9940 – add on £247.46 per system, see page 28.

NOTE: 24v Series 40 Motors are not supplied with power supplies (transformers) as standard. They must be ordered separately, see page 28.

SMART by Silent Gliss motors – for use with Silent Gliss Gateway and associated components – add on £247.46 per system, see page 28.

All prices shown exclude VAT



Venetian Blind Systems

Venetian Blind Slat Information

Aluminium Slats

Price Group 1

Slat Reference	Slat Width (mm)	Slat Description
603	16	Natural Alu
612	16	Off White
613	16	Clear White
615	16	White

Slat Reference	Slat Width (mm)	Slat Description
648	16	Light Grey
650	16	Magnolia
706	25	Natural Alu
716	25	Off White

Slat Reference	Slat Width (mm)	Slat Description
718	25	Clear White
720	25	White
758	25	Light Grey
759	25	Light Grey

Slat Reference	Slat Width (mm)	Slat Description
761	25	Magnolia

Price Group 2

Slat Reference	Slat Width (mm)	Slat Description
601	16	Polished Alu
602	16	TRP Natural Silver
604	16	Bright Silver
609	16	Natural Silver
610	16	Natural Silver Matt
611	16	Light Ash
614	16	Pearl China White
616	16	Light Grey
617	16	Grey Flannel

Slat Reference	Slat Width (mm)	Slat Description
618	16	Metal Grey
619	16	Gloss Black
620	16	Black
651	16	Magnolia
703	25	Polished Alu
704	25	TRP Natural Silver
705	25	Alu Perforated
707	25	Bright Silver
712	25	Natural Silver

Slat Reference	Slat Width (mm)	Slat Description
713	25	Natural Silver Matt
714	25	Light Ash
715	25	White Perforated
719	25	Pearl China White
723	25	Light Grey
724	25	Grey Flannel
725	25	Metal Grey
726	25	Gloss Black
729	25	Black
733	25	Turkey Blue

Slat Reference	Slat Width (mm)	Slat Description
760	25	Magnolia Perforated
762	25	Magnolia
773	25	Garnet Red

Price Group 3

Slat Reference	Slat Width (mm)	Slat Description
605	16	Bright Gold
607	16	Bright Bronze
608	16	Aluminium Gris
622	16	Indigo
635	16	Hunter Green
652	16	Fawn
654	16	US Beige
656	16	Dark Beige
702	25	Alu Perforated
708	25	Bright Gold
709	25	Caribou
710	25	Bright Bronze
711	25	Aluminium Gris
722	25	Grey Perforated
727	25	Black Perforated
728	25	Black
731	25	Indigo
732	25	Admiral

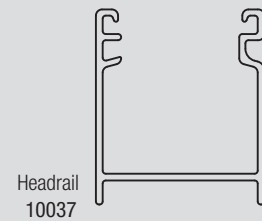
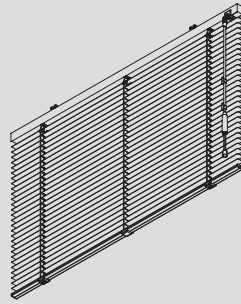
Slat Reference	Slat Width (mm)	Slat Description
734	25	Mount Baker
735	25	Morning Glory
736	25	Universe Blue
738	25	Fishing Blue
739	25	Greek Holiday
745	25	Hunter Green
747	25	Green Aspen
748	25	Weeping Green
749	25	Grass Snake
751	25	Aztec
752	25	Saffron
754	25	Daffodil
756	25	Light Banana
757	25	Beaverwood
764	25	Fawn
765	25	Spun Gold
766	25	US Beige
767	25	Mud Pie
768	25	Dark Beige
769	25	Diamond Mine
777	25	Woodgrain Abbey



Venetian Blind Systems

SG 8110 (16mm)

Mono control Venetian Blind System.
 Slats 16mm.
 Maximum System Width: 2.5m
 Minimum System Width: 28cm
 Maximum System Drop: 2.5m
 Maximum Surface Area: 5m²



The prices in the tables below comprise the complete system made-to-measure with 16mm slats ready to hang. If sizes lie between the measurements shown, the price for the next size larger will apply. Clear control wands as standard. The following wand sizes are available 225mm, 385mm, 585mm, 785mm, 985mm, 1185mm, 1385mm, 1585mm and 1800mm. For side guided version please add 20% to prices below.

Price Group 1

Price Category C

Width Drop cm	60cm	80cm	100cm	120cm	140cm	160cm	180cm	200cm	220cm	240cm	250cm	Width Drop cm
60	198.40	216.83	235.27	253.72	272.18	290.63	309.06	327.52	345.95	364.45	373.63	60
80	204.33	224.70	245.06	265.40	285.80	306.15	326.51	346.86	367.21	387.60	397.75	80
100	210.26	232.53	254.80	277.13	299.38	321.64	343.90	366.21	388.47	410.74	421.89	100
120	216.19	240.39	264.57	288.78	312.95	337.16	361.36	385.54	409.72	433.91	446.04	120
140	222.11	248.21	274.32	300.39	326.54	352.65	378.76	404.88	430.96	457.10	470.16	140
160	228.04	256.04	284.09	312.10	340.12	368.15	396.19	424.23	452.25	480.26	494.30	160
180	233.95	263.92	293.85	323.77	353.71	383.68	413.60	443.55	473.49	503.44	518.40	180
200	239.86	271.74	303.59	335.46	367.33	399.19	431.04	462.87	494.77	526.62	542.54	200
220	245.81	279.59	313.34	347.15	380.89	414.68	448.48	482.23	516.02			220
240	251.73	287.42	323.14	358.77	394.51	430.17	465.86	501.55				240
250	254.71	291.34	327.99	364.62	401.29	437.95	474.57	511.24				250

Price Group 2

Price Category C

Width Drop cm	60cm	80cm	100cm	120cm	140cm	160cm	180cm	200cm	220cm	240cm	250cm	Width Drop cm
60	204.92	225.54	251.35	266.80	287.41	308.04	328.63	349.26	369.89	390.50	400.82	60
80	213.04	236.30	259.55	282.79	306.10	329.35	352.59	375.85	399.12	422.39	434.03	80
100	221.14	247.02	272.93	298.84	324.73	350.67	376.52	402.44	428.34	454.25	467.18	100
120	229.21	257.74	286.34	314.84	343.38	371.96	400.49	429.01	457.57	486.12	500.37	120
140	237.32	268.51	299.73	330.86	362.05	393.25	424.41	455.60	486.77	517.97	533.57	140
160	245.40	279.25	313.08	346.89	380.72	414.53	448.38	482.20	516.04	549.85	566.74	160
180	253.54	290.02	326.46	362.90	399.38	435.85	472.33	508.78	545.24	581.71	599.96	180
200	261.61	300.74	339.84	378.95	418.05	457.16	496.26	535.38	574.49	613.57	633.17	200
220	269.74	311.47	353.22	395.00	436.70	478.46	520.23	561.96	603.71			220
240	277.82	322.22	366.59	410.99	455.39	499.75	544.16	588.51				240
250	281.85	327.56	373.28	419.02	464.73	510.42	556.13	601.84				250

Price Group 3

Price Category C

Width Drop cm	60cm	80cm	100cm	120cm	140cm	160cm	180cm	200cm	220cm	240cm	250cm	Width Drop cm
60	220.47	243.45	266.38	289.35	312.30	335.24	358.17	381.13	404.07	427.04	438.53	60
80	230.18	256.29	282.37	308.50	334.61	360.74	386.82	412.93	439.06	465.17	478.21	80
100	239.83	269.13	298.38	327.68	356.93	386.21	415.49	444.75	474.03	503.31	517.94	100
120	249.50	281.96	314.37	346.84	379.28	411.69	444.14	476.59	509.02	541.46	557.68	120
140	259.21	294.82	330.38	365.97	401.60	437.21	472.82	508.41	544.01	579.60	597.38	140
160	268.86	307.65	346.39	385.16	423.94	462.69	501.48	540.21	578.97	617.75	637.11	160
180	278.52	320.48	362.38	404.33	446.23	488.16	530.08	572.03	613.94	655.91	676.86	180
200	288.21	333.32	378.42	423.48	468.59	513.64	558.79	603.85	648.92	694.05	716.58	200
220	297.90	346.15	394.38	442.67	490.93	539.15	587.41	635.68	683.93			220
240	295.46	359.02	410.42	461.84	513.25	564.65	616.05	667.48				240
250	312.41	365.40	418.40	471.38	524.41	577.38	630.38	683.36				250

All prices shown exclude VAT



Venetian Blind Systems

SG 8110PC (25mm)

Mono control Venetian Blind System.

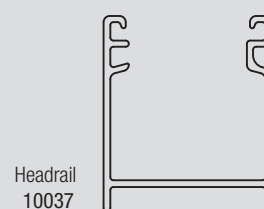
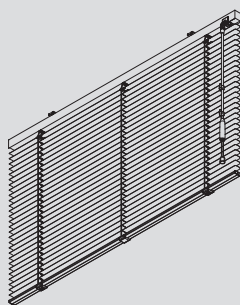
Slats 25mm.

Maximum System Width: 3m

Minimum System Width: 28cm

Maximum System Drop: 3m

Maximum Surface Area: 7m²



Headrail
10037

The prices in the tables below comprise the complete system made-to-measure with 25mm slats ready to hang. If sizes lie between the measurements shown, the price for the next size larger will apply. Clear control wands as standard. The following wand sizes are available 225mm, 385mm, 585mm, 785mm, 985mm, 1185mm, 1385mm, 1585mm and 1800mm. For side guided version please add 20% to prices below.

Price Group 1

Price Category C

Width ▶ Drop ▼ cm	60cm	80cm	100cm	120cm	140cm	160cm	180cm	200cm	220cm	240cm	260cm	280cm	300cm	◀ Width ▼ Drop cm
60	201.17	220.42	239.68	258.91	278.14	297.39	316.65	335.91	355.13	374.39	393.65	412.90	432.14	60
80	207.38	228.57	249.77	270.96	292.15	313.35	334.56	355.73	376.95	398.14	419.36	440.59	461.76	80
100	213.56	236.71	259.87	283.02	306.17	329.35	352.46	375.60	398.75	421.90	445.02	468.21	491.37	100
120	219.78	244.84	269.97	295.07	320.19	345.25	370.39	395.49	420.56	445.65	470.75	495.87	520.99	120
140	225.96	253.03	280.07	307.14	334.21	361.21	388.27	415.33	442.37	469.43	496.48	523.56	550.57	140
160	232.19	261.17	290.18	319.17	348.18	377.18	406.16	435.19	464.20	493.19	522.17	551.16	580.20	160
180	238.40	269.32	300.29	331.25	362.18	393.10	424.10	455.03	486.00	516.97	547.88	578.84	609.79	180
200	244.60	277.49	310.38	343.29	376.20	409.08	441.99	474.90	507.79	540.70	573.60	606.52	639.39	200
220	250.79	285.63	320.49	355.37	390.20	425.06	459.89	494.77	529.60	564.45	599.29	634.11	668.99	220
240	256.99	293.79	330.60	367.41	404.20	440.99	477.82	514.61	551.41	588.24	625.02	661.80	698.61	240
260	263.18	301.95	340.68	379.47	418.22	456.93	495.73	534.47	573.22	611.97	650.68	689.48	728.20	260
280	269.39	310.11	350.79	391.54	432.23	472.89	513.60	554.28	595.05	635.71	676.41	717.11	757.81	280
300	275.60	318.23	360.90	403.54	446.20	488.88	531.55	574.16	616.82	659.49	702.16	744.83	787.50	300

Price Group 2

Price Category C

Width ▶ Drop ▼ cm	60cm	80cm	100cm	120cm	140cm	160cm	180cm	200cm	220cm	240cm	260cm	280cm	300cm	◀ Width ▼ Drop cm
60	207.87	229.35	250.89	272.35	293.85	315.35	336.83	358.29	379.81	401.29	422.77	444.28	465.74	60
80	216.31	240.50	264.69	288.90	313.08	337.27	361.46	385.64	409.82	434.03	458.21	482.37	506.60	80
100	224.76	251.68	278.52	305.42	332.32	359.18	386.08	412.93	439.80	466.72	493.60	520.47	547.36	100
120	233.21	262.80	292.36	321.95	351.56	381.13	410.69	440.28	469.87	499.45	529.04	558.61	588.20	120
140	241.66	273.96	306.20	338.47	370.79	403.03	435.31	467.59	499.86	532.15	564.42	596.72	629.00	140
160	250.09	285.08	320.09	355.02	390.01	424.99	459.97	494.91	529.92	564.91	599.84	634.83	669.80	160
180	258.53	296.21	333.88	371.56	409.21	446.93	484.57	522.26	559.95	597.61	635.25	672.93	710.62	180
200	267.00	307.35	347.75	388.13	428.46	468.85	509.22	549.59	589.95	630.32	670.72	711.06	751.43	200
220	275.44	318.51	361.58	404.64	447.69	490.77	533.85	576.92	619.98	663.05	706.08	749.14	792.22	220
240	283.90	329.64	375.42	421.20	466.92	512.72	558.47	604.24	649.98	695.79	741.53	787.29	833.06	240
260	292.33	340.81	389.25	437.73	486.16	534.64	583.07	631.57	680.00	728.47	776.94	825.39	873.88	260
280	300.79	351.92	403.10	454.26	505.40	556.58	607.74	658.91	710.05	761.18	812.35	863.52	914.69	280
300	309.22	363.06	416.93	470.77	524.60	578.48	632.34	686.19	740.06	793.91	847.76	901.61	955.46	300

Price Group 3 – 25mm slat size

Price Category C

Width ▶ Drop ▼ cm	60cm	80cm	100cm	120cm	140cm	160cm	180cm	200cm	220cm	240cm	260cm	280cm	300cm	◀ Width ▼ Drop cm
60	227.05	254.90	282.77	310.66	338.53	366.40	394.27	422.17	450.08	477.92	505.80	533.68	561.56	60
80	241.87	274.56	307.26	339.96	372.65	405.38	438.06	470.77	503.46	536.15	568.89	601.58	634.30	80
100	256.70	294.25	331.77	369.27	406.83	444.34	481.87	519.37	556.91	594.44	631.97	669.50	707.01	100
120	271.52	313.88	356.22	398.57	440.94	483.31	525.64	568.00	610.37	652.73	695.03	737.43	779.78	120
140	286.37	333.55	380.72	427.90	475.06	522.26	569.45	616.63	663.81	710.96	758.15	805.29	852.49	140
160	301.18	353.21	405.21	457.22	509.22	561.23	613.21	665.22	717.22	769.23	821.25	873.23	925.24	160
180	316.03	372.84	429.71	486.51	543.35	600.18	657.01	713.83	770.65	827.48	884.33	941.16	997.98	180
200	330.83	392.51	454.17	515.80	577.48	639.15	700.79	762.48	824.08	885.75	947.43	1009.04	1070.73	200
220	345.67	412.17	478.65	545.13	611.63	678.12	744.55	811.05	877.53	944.03	1010.48	1076.98	1143.46	220
240	360.48	431.82	503.16	574.45	645.74	717.04	788.35	859.68	930.97	1002.26	1073.57	1144.93	1216.18	240
260	375.31	451.48	527.58	603.77	679.88	755.98	832.14	908.26	984.40	1060.54	1136.67	1212.81	1288.94	260
280	390.19	471.12	552.08	633.06	714.01	794.97	875.91	956.86	1037.85	1118.80	1199.77	1280.74	1361.71	280
300	405.04	490.78	576.58	662.35	748.24	833.90	919.71	1005.48	1091.27	1177.09	1262.86	1348.63	1434.40	300

All prices shown exclude VAT



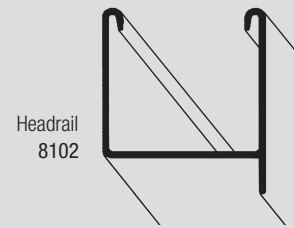
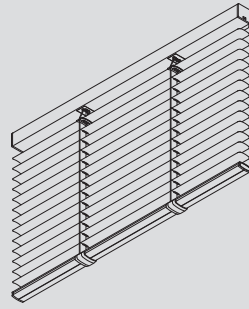
Venetian Blind Systems

SG 8250 (16mm)

Electrically operated Venetian Blind System.
System with 24v motor 8060.

Maximum System Width: 300cm
Minimum System Width: 65cm*
Maximum System Drop: 340cm
Maximum Surface Area: 5m²

* Please refer to Catalogue pages



The prices in the tables below and on the following page comprise the complete system made-to-measure with 16mm slats ready to hang with universal snap bracket 8201. If sizes lie between the measurements shown, the price for the next size larger will apply. For multicoloured blinds add 20% to prices below for each colour. For side-guided/sloping version add 20% to prices below.

Price Group 1

Price Category C

Width ▶ Drop ▼ cm	80cm	100cm	120cm	140cm	160cm	180cm	200cm	220cm	240cm	260cm	280cm	300cm	Width ▶ Drop ▼ cm
60	799.98	838.32	876.63	914.95	953.34	991.63	1029.95	1068.30	1106.62	1144.97	1183.28	1221.62	60
80	809.01	849.36	889.62	929.94	970.26	1010.51	1050.81	1091.13	1131.40	1171.73	1212.01	1252.31	80
100	818.09	860.35	902.58	944.89	987.13	1029.41	1071.73	1113.92	1156.22	1198.47	1240.72	1283.01	100
120	827.11	871.31	915.55	959.82	1004.05	1048.30	1092.53	1136.71	1181.01	1225.20	1269.45	1313.70	120
140	836.15	882.29	928.57	974.73	1020.95	1067.12	1113.34	1159.60	1205.79	1251.96	1298.18	1344.38	140
160	845.21	893.39	941.49	989.71	1037.90	1086.08	1134.20	1182.39	1230.55	1278.74	1326.91	1375.06	160
180	854.20	904.38	954.50	1004.67	1054.81	1104.91	1155.06	1205.22	1255.38	1305.49			180
200	863.26	915.38	967.48	1019.61	1071.74	1123.80	1175.91	1228.05	1280.15				200
220	872.28	926.37	980.49	1034.52	1088.63	1142.68	1196.75	1250.83					220
240	881.36	937.43	993.44	1049.45	1105.48	1161.60	1217.66						240
260	890.39	948.40	1006.41	1064.43	1122.44	1180.47							260
280	899.43	959.40	1019.40	1079.35	1139.36								280
300	908.47	970.43	1032.36	1094.31	1156.31								300
320	917.47	981.43	1045.32	1109.25									320
340	926.56	992.40	1058.29	1124.24									340

Price Group 2

Price Category C

Width ▶ Drop ▼ cm	80cm	100cm	120cm	140cm	160cm	180cm	200cm	220cm	240cm	260cm	280cm	300cm	Width ▶ Drop ▼ cm
60	812.63	854.06	895.56	937.04	978.50	1019.97	1061.45	1102.99	1144.44	1185.90	1227.36	1268.86	60
80	823.20	867.06	910.89	954.72	998.60	1042.43	1086.27	1130.11	1173.92	1217.79	1261.60	1305.45	80
100	833.83	880.09	926.23	972.47	1018.63	1064.82	1111.07	1157.24	1203.45	1249.64	1295.83	1342.10	100
120	844.44	893.00	941.53	990.15	1038.72	1087.26	1135.81	1184.35	1232.96	1281.52	1330.07	1378.67	120
140	855.06	905.99	956.88	1007.83	1058.72	1109.64	1160.63	1211.58	1262.52	1313.38	1364.32	1415.25	140
160	865.65	918.95	972.21	1025.54	1078.80	1132.10	1185.41	1238.69	1291.98	1345.28	1398.54	1451.84	160
180	876.25	931.94	987.60	1043.26	1098.89	1154.52	1210.18	1265.82	1321.52	1377.14			180
200	886.90	944.92	1002.93	1060.92	1118.94	1176.95	1234.95	1292.97	1351.02				200
220	897.51	957.89	1018.24	1078.67	1138.99	1199.39	1259.76	1320.18					220
240	908.12	970.85	1033.60	1096.33	1159.07	1221.78	1284.56						240
260	918.76	983.84	1048.90	1114.08	1179.13	1244.25							260
280	929.38	996.85	1064.35	1131.76	1199.21								280
300	939.97	1009.78	1079.64	1149.42	1219.28								300
320	950.58	1022.80	1094.92	1167.12									320
340	961.19	1035.76	1110.28	1184.86									340

Price Group 3

Price Category C

Width ▶ Drop ▼ cm	80cm	100cm	120cm	140cm	160cm	180cm	200cm	220cm	240cm	260cm	280cm	300cm	Width ▶ Drop ▼ cm
60	845.15	888.24	931.38	974.52	1017.65	1060.81	1103.91	1147.12	1190.20	1233.34	1276.45	1319.63	60
80	856.14	901.73	947.28	992.91	1038.55	1084.15	1129.71	1175.31	1220.90	1266.50	1312.10	1357.69	80
100	867.21	915.29	963.26	1011.37	1059.41	1107.41	1155.50	1203.51	1251.62	1299.62	1347.67	1395.78	100
120	878.23	928.74	979.20	1029.76	1080.28	1130.73	1181.27	1231.75	1282.27	1332.79	1383.27	1433.80	120
140	889.26	942.26	995.18	1048.16	1101.10	1154.04	1207.05	1260.03	1312.99	1365.88	1418.88	1471.86	140
160	900.29	955.73	1011.10	1066.56	1122.00	1177.36	1232.85	1288.22	1343.67	1399.09	1454.52	1509.94	160
180	911.30	969.19	1027.06	1084.96	1142.86	1200.75	1258.59	1316.47	1374.37	1432.22			180
200	922.35	982.66	1043.06	1103.39	1163.73	1224.02	1284.34	1344.69	1405.06				200
220	933.40	996.15	1058.99	1121.77	1184.57	1247.36	1310.13	1372.98					220
240	944.46	1009.72	1074.95	1140.22	1205.46	1270.66	1335.94						240
260	955.48	1023.17	1090.88	1158.59	1226.29	1294.01							260
280	966.55	1036.69	1106.89	1177.01	1247.16								280
300	977.59	1050.16	1122.82	1195.45	1268.03								300
320	988.61	1063.69	1138.74	1232.28									320
340	999.64	1077.19	1154.70	1269.12									340

Supplied with standard 0928 rocker switch. Programmable rocker switch (0937) available as an optional accessory.

All prices shown exclude VAT



Venetian Blind Systems

SG 8250 (25mm)

Electrically operated Venetian Blind System.
System with 24v motor 8060.

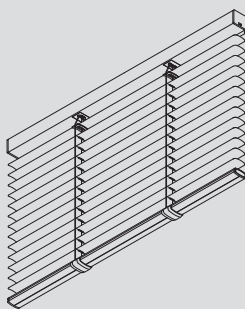
Maximum System Width: 300cm

Minimum System Width: 65cm*

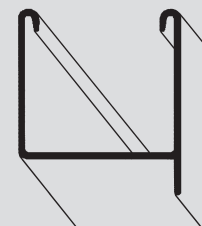
Maximum System Drop: 340cm

Maximum Surface Area: 5m²

* Please refer to Catalogue pages



Headrail
8102



The prices in the tables below and on the following page comprise the complete system made-to-measure with 25mm slats ready to hang with universal snap bracket 8201. If sizes lie between the measurements shown, the price for the next size larger will apply. For multicoloured blinds add 20% to prices below for each colour. For side-guided/sloping version add 20% to prices below.

Price Group 1

Price Category C

Width ▶ Drop ▼ cm	80cm	100cm	120cm	140cm	160cm	180cm	200cm	220cm	240cm	260cm	280cm	300cm	◀ Width ▼ Drop cm
60	785.25	820.39	855.56	890.75	925.85	961.01	996.19	1031.34	1066.52	1101.68	1136.82	1172.00	60
80	792.11	828.79	865.46	902.17	938.82	975.53	1012.22	1048.90	1085.62	1122.31	1159.00	1195.65	80
100	798.93	837.17	875.41	913.59	951.85	990.06	1028.27	1066.51	1104.69	1142.95	1181.11	1219.43	100
120	805.80	845.56	885.18	925.07	964.80	1004.58	1044.30	1084.09	1123.80	1163.55	1203.33	1243.09	120
140	812.68	853.93	895.20	936.49	977.77	1019.06	1060.34	1101.65	1142.92	1184.20	1225.51	1266.74	140
160	819.49	862.33	905.13	947.98	990.77	1033.57	1076.37	1119.18	1162.03	1204.82	1247.63	1290.47	160
180	826.37	870.67	915.02	959.40	1003.76	1048.12	1092.43	1136.72	1181.09	1225.47			180
200	833.20	879.11	925.02	970.84	1016.75	1062.60	1108.41	1154.34	1200.20				200
220	840.07	887.50	934.90	982.29	1029.71	1077.11	1124.49	1171.91					220
240	846.87	895.85	944.82	993.77	1042.68	1091.63	1140.51						240
260	853.75	904.26	954.72	1005.18	1055.66	1106.14							260
280	860.60	912.68	964.63	1016.65	1068.63								280
300	867.47	921.02	974.57	1028.12	1081.62								300
320	874.36	929.43	984.46	1039.53									320
340	881.15	937.79	994.36	1051.01									340

Price Group 2

Price Category C

Width ▶ Drop ▼ cm	80cm	100cm	120cm	140cm	160cm	180cm	200cm	220cm	240cm	260cm	280cm	300cm	◀ Width ▼ Drop cm
60	795.06	832.62	870.25	907.89	945.49	983.07	1020.72	1058.28	1095.92	1133.52	1171.12	1208.73	60
80	803.13	842.59	881.96	921.49	960.89	1000.33	1039.79	1079.24	1114.49	1158.10	1197.59	1237.01	80
100	811.21	852.47	893.76	935.03	976.30	1017.62	1058.92	1100.14	1164.27	1182.75	1224.00	1265.26	100
120	819.28	862.41	905.51	948.64	991.76	1034.88	1077.97	1121.12	1187.01	1207.36	1250.49	1293.61	120
140	827.35	872.28	917.30	962.23	1007.18	1052.13	1097.11	1142.05	1209.80	1231.97	1276.95	1321.90	140
160	835.45	882.23	929.01	975.81	1022.62	1069.40	1116.23	1162.96	1232.58	1256.60	1303.39	1350.19	160
180	843.51	892.12	940.74	989.44	1038.03	1086.69	1135.29	1183.91	1255.37	1281.19			180
200	851.58	902.05	952.47	1002.99	1053.49	1102.67	1154.37	1204.87	1255.37				200
220	859.66	911.97	964.26	1016.58	1068.87	1121.20	1173.54	1225.82					220
240	867.74	921.85	976.03	1030.19	1084.27	1138.46	1192.58						240
260	875.84	931.79	987.78	1043.79	1099.75	1155.69							260
280	883.90	941.78	999.55	1057.39	1115.15								280
300	892.00	951.65	1011.31	1070.93	1130.61								300
320	900.05	961.58	1023.05	1084.57									320
340	908.13	971.46	1034.78	1098.14									340

Price Group 3

Price Category C

Width ▶ Drop ▼ cm	80cm	100cm	120cm	140cm	160cm	180cm	200cm	220cm	240cm	260cm	280cm	300cm	◀ Width ▼ Drop cm
60	814.62	857.15	899.66	942.19	984.67	1027.17	1069.65	1112.15	1154.72	1197.21	1239.73	1282.22	60
80	825.16	870.10	915.03	960.06	1005.00	1049.95	1094.88	1139.87	1184.85	1229.81	1274.76	1319.69	80
100	835.70	883.10	930.52	977.92	1025.30	1072.73	1120.16	1167.54	1214.88	1262.38	1309.73	1357.15	100
120	846.20	896.12	945.93	995.81	1045.66	1095.54	1145.36	1195.18	1245.02	1294.95	1344.79	1394.65	120
140	856.75	909.08	961.36	1013.64	1065.98	1118.29	1170.60	1222.89	1275.23	1327.49	1379.80	1432.14	140
160	867.29	922.05	976.78	1031.57	1086.30	1141.02	1195.85	1250.57	1305.33	1360.05	1414.86	1469.59	160
180	877.83	935.00	992.21	1049.42	1106.62	1163.84	1221.06	1278.25	1335.45	1392.63			180
200	888.31	948.00	1007.66	1067.29	1126.97	1186.60	1246.23	1305.92	1365.56				200
220	898.85	960.99	1023.07	1085.15	1147.30	1209.39	1271.49	1333.59					220
240	909.37	973.93	1038.49	1103.07	1167.58	1232.18	1296.74						240
260	919.93	986.91	1053.95	1120.92	1187.95	1254.93							260
280	930.45	999.90	1069.35	1138.79	1208.24								280
300	941.00	1012.87	1084.77	1156.69	1228.60								300
320	951.47	1025.84	1100.20	1174.59									320
340	962.03	1038.83	1115.59	1192.46									340

Supplied with standard 0928 rocker switch. Programmable rocker switch (0937) available as an optional accessory.

All prices shown exclude VAT

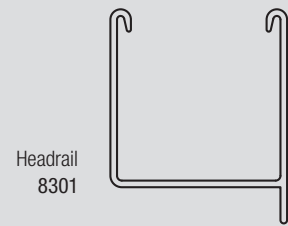
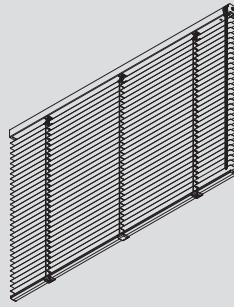


Venetian Blind Systems

SG 8300 (16mm)

Mono control Venetian Blind System.
Slats 16mm.

Maximum System Width: 3m
Minimum System Width: 50cm
Maximum System Drop: 3m
Maximum Surface Area: 4.5m²



The prices in the tables below comprise the complete system made-to-measure with 16mm slats ready to hang. If sizes lie between the measurements shown, the price for the next size larger will apply. For side-guide or sloping add 20%.

Price Group 1

Price Category C

Width Drop cm	60cm	80cm	100cm	120cm	140cm	160cm	180cm	200cm	220cm	240cm	260cm	280cm	300cm	Width Drop cm
60	205.64	226.05	246.45	266.87	287.29	307.71	328.10	348.55	368.93	389.33	409.77	430.17	450.62	60
80	211.57	233.95	256.34	278.76	301.14	323.54	345.91	368.33	390.74	413.10	435.52	457.88	480.28	80
100	217.47	241.87	266.25	290.63	314.99	339.36	363.74	388.14	412.49	436.86	461.23	485.61	509.97	100
120	223.43	249.82	276.14	302.49	328.85	355.21	381.55	407.91	434.26	460.61	486.97	513.32	539.68	120
140	229.35	257.71	286.01	314.37	342.71	371.03	399.38	427.70	456.02	484.40	512.72	541.02	569.35	140
160	235.32	265.65	295.94	326.25	356.57	386.87	417.21	447.50	477.82	508.12	538.43	568.72	599.04	160
180	241.25	273.56	305.82	338.10	370.43	402.70	434.98	467.30	499.58	531.86	564.17			180
200	247.19	281.48	315.71	349.98	384.26	418.53	452.81	487.07	521.33	555.60				200
220	253.12	289.39	325.63	361.93	398.11	434.38	470.63	506.88	543.15					220
240	259.06	297.31	335.51	373.78	412.00	450.18	488.47	526.66						240
260	265.03	305.24	345.43	385.64	425.83	466.06	506.27							260
280	270.96	313.13	355.34	397.50	439.69	481.89								280
300	276.91	321.07	365.21	409.41	453.55	497.73								300

Price Group 2

Price Category C

Width Drop cm	60cm	80cm	100cm	120cm	140cm	160cm	180cm	200cm	220cm	240cm	260cm	280cm	300cm	Width Drop cm
60	212.14	234.72	257.35	279.91	302.49	325.06	347.68	370.27	392.87	415.47	438.03	460.63	483.21	60
80	220.27	245.57	270.85	296.15	321.43	346.75	372.04	397.30	422.61	447.91	473.18	498.48	523.76	80
100	228.38	256.37	284.39	312.36	340.39	368.35	396.32	424.35	452.36	480.34	508.32	536.35	564.31	100
120	236.51	267.18	297.89	328.59	359.28	389.96	420.71	451.39	482.07	512.79	543.48	574.18	604.90	120
140	244.61	278.02	311.43	344.80	378.22	411.63	445.01	478.45	511.84	545.24	578.64	612.05	645.51	140
160	252.70	288.82	324.93	361.06	397.16	433.21	469.36	505.48	541.58	577.69	613.81	649.90	686.03	160
180	260.83	299.65	338.43	377.29	416.06	454.87	493.68	532.50	571.31	610.18	649.05			180
200	268.92	310.45	351.95	393.49	435.00	476.54	518.06	559.55	601.08	642.59				200
220	277.03	321.23	365.51	409.71	453.95	498.15	542.37	586.60	630.84					220
240	285.19	332.07	379.01	425.93	472.87	519.81	566.71	613.63						240
260	293.26	342.90	392.52	442.17	491.80	541.43	591.05							260
280	301.39	353.71	406.02	458.40	510.71	563.05								280
300	309.50	364.56	419.58	474.62	529.65	584.71								300

Price Group 3

Price Category C

Width Drop cm	60cm	80cm	100cm	120cm	140cm	160cm	180cm	200cm	220cm	240cm	260cm	280cm	300cm	Width Drop cm
60	228.14	253.19	278.23	303.23	328.30	353.32	378.34	403.40	428.40	453.46	478.49	503.50	528.58	60
80	237.85	266.09	294.36	322.67	350.87	379.16	407.44	435.68	463.96	492.21	520.47	548.75	577.02	80
100	247.53	279.03	310.54	342.02	373.51	405.04	436.51	467.99	499.48	530.99	562.50	593.95	625.47	100
120	257.23	291.95	326.64	361.41	396.11	430.85	465.61	500.29	535.01	569.74	604.45	639.21	673.91	120
140	266.90	304.86	342.84	380.77	418.74	456.71	494.62	532.58	570.58	608.54	646.44	684.43	722.37	140
160	276.62	317.79	359.01	400.15	441.32	482.51	523.68	564.93	606.08	647.27	688.46	729.64	770.81	160
180	286.32	330.70	375.12	419.55	463.96	508.37	552.78	597.19	641.60	686.03	730.41			180
200	295.98	343.63	391.28	438.92	486.56	534.20	581.86	629.57	677.15	724.83				200
220	305.68	356.56	407.43	458.30	509.19	560.03	610.92	661.79	712.68					220
240	315.37	369.46	423.55	477.67	531.77	585.89	640.01	694.08						240
260	325.04	382.38	439.71	497.04	554.38	611.73	669.04							260
280	334.76	395.33	455.88	516.45	577.01	637.58								280
300	344.44	408.22	472.03	535.83	599.62	663.40								300

Child safety device (10482) – add on £12.12.

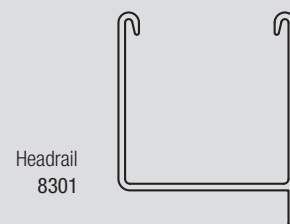
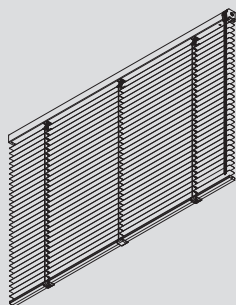
All prices shown exclude VAT



Venetian Blind Systems

SG 8300 (25mm)

Mono control Venetian Blind System.
 Slats 25mm.
 Maximum System Width: 3m
 Minimum System Width: 50cm
 Maximum System Drop: 3m
 Maximum Surface Area: 4.5m²



The prices in the tables below comprise the complete system made-to-measure with 25mm slats ready to hang. If sizes lie between the measurements shown, the price for the next size larger will apply. For side-guide or sloping add 20%.

Price Group 1

Price Category C

Width ► Drop ▼ cm	60cm	80cm	100cm	120cm	140cm	160cm	180cm	200cm	220cm	240cm	260cm	280cm	300cm	◄ Width ▼ Drop cm
60	192.02	212.01	232.03	252.06	272.03	292.02	312.06	332.07	352.09	372.09	392.13	412.14	432.14	60
80	197.13	218.83	240.57	262.30	283.97	305.70	327.44	349.13	370.85	392.54	414.27	436.00	457.74	80
100	202.24	225.64	249.07	272.52	295.94	319.31	342.75	366.21	389.59	413.03	436.48	459.89	483.31	100
120	207.38	232.51	257.62	282.74	307.87	332.99	358.13	383.26	408.39	433.52	458.61	483.77	508.87	120
140	212.49	239.30	266.12	292.99	319.80	346.66	373.48	400.32	427.14	453.97	480.83	507.63	534.49	140
160	217.57	246.12	274.68	303.21	331.76	360.29	388.81	417.38	445.91	474.42	502.95	531.55	560.04	160
180	222.70	252.98	283.21	313.46	343.71	373.90	404.19	434.40	464.66	494.90	525.13			180
200	227.85	259.76	291.75	323.66	355.62	387.59	419.53	451.49	483.44	515.38				200
220	232.95	266.59	300.26	333.90	367.57	401.23	434.85	468.54	502.21					220
240	238.04	273.45	308.78	344.15	379.52	414.84	450.19	485.60						240
260	243.19	280.21	317.29	354.37	391.41	428.49	465.61							260
280	248.32	287.06	325.85	364.60	403.40	442.15								280
300	253.39	293.90	334.36	374.86	415.33	455.81								300

Price Group 2

Price Category C

Width ► Drop ▼ cm	60cm	80cm	100cm	120cm	140cm	160cm	180cm	200cm	220cm	240cm	260cm	280cm	300cm	◄ Width ▼ Drop cm
60	197.61	219.48	241.38	263.23	285.13	306.99	328.89	350.75	372.63	394.51	416.41	438.26	460.15	60
80	204.60	228.80	253.02	277.20	301.43	325.62	349.83	374.05	398.24	422.46	446.64	470.83	495.06	80
100	211.58	238.09	264.64	291.17	317.72	344.22	370.80	397.30	423.84	450.38	476.92	503.45	529.98	100
120	218.55	247.43	276.30	305.16	334.03	362.87	391.73	420.59	449.48	478.31	507.16	536.02	564.93	120
140	225.57	256.75	287.93	319.10	350.30	381.52	412.67	443.88	475.06	506.27	537.45	568.63	599.80	140
160	232.53	266.05	299.56	333.12	366.59	400.12	433.65	467.16	500.68	534.20	567.68	601.23	634.75	160
180	239.52	275.35	311.21	347.04	382.91	418.75	454.60	490.44	526.26	562.12	597.99			180
200	246.47	284.67	322.83	361.01	399.20	437.33	475.54	513.74	551.91	590.07				200
220	253.50	293.98	334.50	374.96	415.49	455.99	496.49	537.01	577.52					220
240	260.46	303.27	346.13	388.91	431.79	474.62	517.43	560.28						240
260	267.45	312.60	357.75	402.94	448.06	493.24	538.41							260
280	274.46	321.93	369.43	416.91	464.38	511.85								280
300	281.41	331.25	381.05	430.86	480.68	530.51								300

Price Group 3

Price Category C

Width ► Drop ▼ cm	60cm	80cm	100cm	120cm	140cm	160cm	180cm	200cm	220cm	240cm	260cm	280cm	300cm	◄ Width ▼ Drop cm
60	226.54	253.72	280.95	308.16	335.35	362.54	389.74	416.94	444.14	471.33	498.52	525.71	552.95	60
80	238.85	270.15	301.45	332.76	364.06	395.35	426.66	457.93	489.27	520.57	551.88	583.16	614.47	80
100	251.14	286.53	321.95	357.35	392.81	428.18	463.56	498.98	534.35	569.77	605.18	640.59	675.97	100
120	263.46	302.95	342.49	381.98	421.43	460.96	500.48	540.01	579.50	619.00	658.50	698.00	737.53	120
140	275.76	319.37	362.95	406.57	450.17	493.78	537.43	581.02	624.62	668.23	711.84	755.43	799.02	140
160	288.09	335.77	383.49	431.20	478.92	526.62	574.32	622.03	669.74	717.44	765.15	812.86	860.57	160
180	300.36	352.20	404.00	455.81	507.62	559.43	611.24	663.06	714.84	766.67	818.50			180
200	312.69	368.58	424.50	480.40	536.34	592.21	648.15	704.09	760.00	815.92				200
220	324.99	385.01	445.00	505.03	565.04	625.06	685.08	745.05	805.10					220
240	337.29	401.39	465.53	529.65	593.76	657.89	721.99	786.10						240
260	349.62	417.82	486.04	554.23	622.51	690.70	758.88							260
280	361.95	434.24	506.52	578.90	651.16	723.53								280
300	374.20	450.64	527.05	603.49	679.91	756.32								300

Child safety device (10482) – add on £12.12.

All prices shown exclude VAT



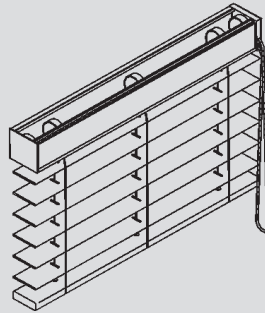
Venetian Blind Systems

SG 8910 Wooden Slat

Mono control wooden slat Venetian Blind System.
Bass wood slat 50mm.

SG 8960

Electrically operated Venetian Blind System.
Average operating speed 3cm/sec.



The prices in the table below comprise the complete system made-to-measure with 50mm slats ready to hang with universal bracket 8920. If sizes lie between the measurements shown, the price for the next size larger will apply. Headrail covered with actual slat to match. For F.R. treated wood please add £146.82/m² to prices below.

SG 8910 – 50mm Slat size

Max. system width: 243cm
Max. system drop: 275cm

Min. system width: 65cm
Max. surface area: 4.6m²

Price Category C

Width ► Drop ▼ cm	80cm	100cm	120cm	140cm	160cm	180cm	200cm	220cm	245cm	◀ Width ▼ Drop cm
80	355.49	438.44	465.46	576.66	600.52	694.16	758.97	788.64	856.19	80
90	363.94	448.13	476.33	591.54	616.77	711.69	780.49	811.64	880.64	90
100	372.39	457.79	487.17	606.40	632.94	729.25	802.00	834.60	905.04	100
110	385.03	472.31	503.49	628.61	657.22	755.56	834.26	868.97	941.53	110
120	407.42	532.13	532.13	643.45	673.46	773.08	855.79	891.94	965.96	120
130	429.82	524.64	560.78	658.29	689.66	790.61	877.31	914.90	990.34	130
140	448.72	546.27	585.08	688.06	722.07	825.70	920.28	960.76	1039.09	140
150	455.82	554.37	594.24	699.18	734.24	838.88	936.47	977.99	1057.39	150
160	462.87	562.45	603.33	710.28	746.37	852.09	952.59	995.19	1075.68	160
170	481.80	584.10	627.57	739.96	778.70	887.16	974.09	1041.04	1124.45	170
180	501.71	607.22	653.11	770.37	811.53	923.24	995.64	1064.01	1148.80	180
190	521.62	630.31	678.69	800.72	844.28	959.26	1038.62	1087.00	1173.16	190
200	536.65	647.55	698.06	824.43	870.08	987.23	1070.92	1121.42		200
210	546.72	659.03	710.98	840.21	887.30	1005.87	1092.45			210
220	556.79	670.48	723.86	856.01	904.50	1024.46	1113.94			220
230	576.81	693.42	749.67	887.49	938.95	1061.78	1156.94			230
240	584.39	702.05	759.36	899.36	951.85	1074.33				240
250	591.93	710.68	769.02	911.20	964.75	1089.74				250
260	611.97	733.60	794.83	942.76	999.18	1127.05				260
275	634.76	753.40	814.59	962.54	1016.75					275

50mm Slat

Slat Description

Basswood Collection - Use above price chart		Bamboo Collection - Use above price chart plus 30%		Abachi Collection - Use above price chart plus 35%	
Alabaster	Sin	Arcana	Innocent	Aro	
Alpine	Soft White	Armour	Karri	Elkin	
Clay	Stark	Cinder	Mari	Hibano	
Golden Oak	Storm	Cyber	Neo	Kota	
Light Oak	Walnut	Darita	Zaya	Muriva	
Linen	Yarrin	Flax			
Mystic		Haze			

Wooden slat Venetian blinds are made with natural wood. It is therefore an inherent feature of the product that variation in shade and graining as well as slight warping may occur.

TAPED VENETIAN System 8910 is available with fabric tapes at an additional cost of 7-5%.
Please enquire at Silent Gliss for information about the colours available.

SG 8960 – Electrically Operated Venetian Blind System (50mm wooden slat)

Max. system width: 243cm
Max. system drop: 275cm

Min. system width: 65cm
Max. surface area: 4.6m²

Electrically operated with integral 230v motor no. 11095. Supplied with special recess switch 0613 as standard.
For pricing, add to relevant price in table above the sum of £997.35

8960 Control Options

Radio control standard option is with System 9940, see page 28.

Radio control option with integrated receiver available only with 9940 controls – add on £225.50, see page 28.

System 8960 is available with fabric tapes at an additional cost of 7-5%.

SIDE-GUIDES are available for both systems at an additional cost of £34.24.

All prices shown
exclude VAT



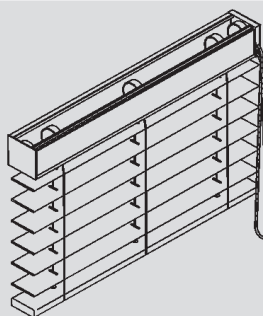
Venetian Blind Systems

SG 8910 Aluminium Slat

Mono control Venetian Blind System.
Aluminium slat 50mm.

SG 8960

Electrically operated Venetian Blind System.
Average operating speed 3cm/sec.



The prices in the table below comprise the complete system made-to-measure with 50mm slats ready to hang with universal bracket 8920. If sizes lie between the measurements shown, the price for the next size larger will apply. Headrail covered with actual slat to match. Plus coordinating or contrasting component options. Please refer to 8910 catalogue for recommended (standard) colour combinations. Multicoloured blinds please add 20% to prices below.

SG 8910 – 50mm Slat size

Max. system width: 360cm Min. system width: 65cm
Max. system drop: 360cm Max. surface area: 10m²

Price Category C

Width ▶ Drop ▼ cm	60cm	80cm	100cm	120cm	140cm	160cm	180cm	200cm	220cm	240cm	260cm	280cm	300cm	320cm	340cm	360cm	Width ▼ Drop cm
60	241.50	273.80	299.50	343.25	368.95	406.70	432.40	461.55	480.00	504.85	530.85	555.70	578.10	606.55	628.95	651.35	60
70	245.55	280.10	306.25	352.20	378.35	418.30	445.30	475.80	495.55	521.75	549.10	575.25	599.00	628.75	652.50	676.25	70
80	249.65	285.50	313.85	360.25	388.60	429.90	457.40	490.05	511.10	538.65	567.30	594.80	619.85	651.85	676.05	700.25	80
90	254.60	290.90	320.60	369.20	398.85	440.60	470.30	504.25	525.85	555.50	585.55	615.20	640.75	674.05	700.45	726.85	90
100	258.70	297.20	327.35	377.25	408.25	452.20	483.20	517.65	541.40	572.40	603.75	634.75	661.65	696.25	724.00	751.75	100
110	262.75	302.60	334.95	386.20	418.50	463.75	495.25	531.90	557.00	589.30	621.95	654.30	683.35	719.30	747.50	775.70	110
120	266.85	308.00	341.70	394.25	427.95	474.50	508.15	546.15	574.35	608.00	642.00	675.65	706.05	743.30	773.70	804.10	120
130	271.80	314.30	349.30	403.20	438.20	486.10	521.10	554.60	589.90	624.90	660.20	695.20	726.95	765.55	797.25	828.95	130
140	275.90	319.70	356.00	411.25	447.60	496.80	535.80	568.80	605.45	641.80	678.45	714.75	747.80	787.75	821.60	855.45	140
150	279.95	325.10	362.75	420.20	457.85	508.40	547.85	582.20	621.05	658.70	696.65	734.30	768.70	810.80	845.15	879.50	150
160	284.05	331.40	370.35	428.25	467.25	521.80	560.75	596.45	636.60	675.60	714.90	753.85	790.40	833.00	868.70	904.40	160
170	289.00	336.80	377.10	437.20	477.50	532.50	573.65	610.70	651.35	692.50	733.10	774.25	811.30	855.20	893.10	931.00	170
180	293.10	342.20	384.70	445.25	489.55	544.10	585.75	624.95	702.20	744.65	786.65	829.10	867.45	913.55	951.90	990.25	180
190	297.15	348.50	391.45	454.15	498.95	555.65	598.65	639.15	717.75	761.55	804.85	848.65	888.35	935.75	975.45	1015.15	190
200	301.25	353.90	398.20	464.05	509.20	566.40	611.55	680.25	733.30	778.45	823.10	868.20	909.25	958.00	999.85	1041.70	200
210	306.20	359.30	405.80	472.95	518.60	578.00	624.45	694.50	748.90	795.35	841.30	887.75	930.95	980.20	1023.40	1066.60	210
220	310.30	365.60	412.55	481.05	528.85	589.55	664.20	708.75	764.45	812.25	859.50	907.30	951.85	1003.25	1046.90	1090.55	220
230	314.40	371.00	421.90	489.95	538.25	600.30	677.15	722.95	780.00	829.15	877.75	926.90	972.70	1025.45	1071.30	1117.15	230
240	318.45	376.40	428.65	498.05	548.50	639.60	690.05	737.20	795.60	846.05	895.95	946.45	993.60	1047.65	1094.85	1142.05	240
250	322.55	381.85	435.40	506.10	557.90	650.30	702.10	750.60	810.30	862.10	914.20	966.00	1014.50	1069.90	1118.40	1166.90	250
260	327.50	388.10	443.00	515.05	568.15	661.90	715.00	764.85	825.85	879.00	933.25	986.40	1036.20	1092.95	1142.75	1192.55	260
270	331.60	395.30	449.75	523.10	606.10	673.45	727.90	779.10	841.45	895.85	951.50	1005.95	1057.10	1115.15	1166.30	1217.45	270
280	335.65	400.75	457.35	532.05	615.50	684.20	740.80	793.30	857.00	912.75	969.70	1025.50	1078.00	1137.35	1190.70	1244.05	280
290	339.75	407.00	464.10	540.10	625.75	695.80	752.90	807.55	872.55	929.65	987.95	1045.05	1098.85	1160.40	1214.25	1268.10	290
300	344.70	412.40	470.85	549.05	635.15	707.35	765.80	820.95	888.15	946.55	1006.15	1064.60	1119.75	1182.65	1237.80		300
310	348.80	417.85	478.45	557.10	645.40	718.10	778.70	835.20	903.70	963.45	1024.40	1084.15	1141.45	1204.85	1262.15		310
320	352.85	424.10	485.20	566.05	654.85	729.70	791.60	849.40	919.25	980.35	1042.60	1103.70	1162.35	1227.05			320
330	356.95	429.50	492.75	574.10	665.10	741.25	803.65	863.65	934.80	997.25	1060.85	1123.25	1183.25	1250.10			330
340	361.90	434.95	499.50	583.05	675.35	752.00	816.60	877.90	949.55	1014.15	1079.05	1143.65	1204.10				340
350	366.00	441.20	506.25	591.10	684.75	763.55	829.50	891.30	965.10	1031.05	1097.30	1163.20	1225.00				350
360	370.05	446.60	513.85	600.05	695.00	775.15	841.55	905.50	980.70	1047.95	1115.50	1182.75	1246.70				360

SG 8960 – Electrically Operated Venetian Blind System (50mm aluminium slat)

Max. system width: 360cm Min. system width: 65cm
Max. system drop: 360cm Max. surface area: 10m²

Electrically operated integral 230v motor no. 11095. Supplied with special recess switch 0613 as standard. For pricing, add to relevant price in table above the sum of **£997.35**

8960 Control Options

Radio control standard option is with System 9940, see page 28.

Radio control option with integrated receiver available only with 9940 controls – add on £225.50, see page 28.

SIDE-GUIDES are available for both systems at an additional cost of **£34.24**

All prices shown exclude VAT

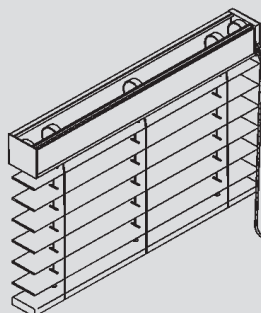


SG 8910 Leather Slat

Mono control leather slat Venetian Blind System with low descent mechanism (50mm).

SG 8960

Electrically operated Venetian Blind System. Average operating speed 3cm/sec.



The prices in the table below comprise the complete system made-to-measure with 50mm slats ready to hang with universal bracket 8920. If sizes lie between the measurements shown, the price for the next size larger will apply. Plus coordinating or contrasting component options. Please refer to 8910 catalogue for recommended (standard) colour combinations. Leather venetian slats are a natural product, therefore slight variations in colour and texture are an inherent feature. Headrails are sprayed to match system colour as standard.

SG 8910 – 50mm Slat size

Max. system width: 243cm
Max. system drop: 275cm

Min. system width: 65cm
Max. surface area: 4.6m²

Width ▶ Drop ▼ cm	80cm	100cm	120cm	140cm	160cm	180cm	200cm	220cm	245cm	◀ Width ▼ Drop cm
80	710.45	847.07	1001.34	1137.86	1289.83	1425.78	1562.31	1702.39	1838.33	80
90	775.04	927.73	1098.80	1251.47	1418.86	1571.51	1724.23	1879.77	2032.47	90
100	840.25	1008.43	1195.62	1364.39	1548.51	1717.32	1885.53	2057.82	2226.60	100
110	904.83	1089.71	1293.01	1477.94	1678.18	1862.49	2047.39	2235.81	2420.75	110
120	969.40	1170.41	1389.82	1590.87	1807.24	2008.25	2209.32	2415.60	2616.62	120
130	1034.62	1251.74	1487.26	1704.38	1936.93	2154.06	2372.96	2593.65	2810.77	130
140	1099.20	1332.43	1584.06	1817.30	2065.97	2301.57	2534.88	2771.65	3004.94	140
150	1163.74	1413.12	1681.52	1930.87	2195.62	2446.76	2696.15	2949.68	3199.06	150
160	1228.94	1494.46	1778.28	2043.83	2327.06	2592.56	2858.04	3127.69	3393.21	160
170	1293.50	1575.16	1875.72	2157.38	2456.12	2738.36	3019.96	3305.06	3587.33	170
180	1358.08	1656.44	1972.53	2272.68	2585.76	2883.52	3181.88	3510.17	3808.55	180
190	1423.30	1737.13	2070.00	2385.60	2715.44	3029.27	3343.76	3688.16		190
200	1487.86	1817.80	2168.56	2499.17	2844.48	3175.07	3532.09	3866.19		200
210	1552.44	1899.14	2265.96	2612.07	2974.13	3320.88	3694.02	4044.24		210
220	1617.60	1979.85	2362.78	2725.62	3103.81	3493.04	3855.87			220
230	1682.19	2062.91	2460.24	2838.54	3232.85	3638.86	4017.80			230
240	1746.75	2143.60	2557.05	2952.75	3389.58	3784.67				240
250	1811.31	2224.27	2653.83	3065.04	3518.62	3929.80				250
260	1876.54	2305.61	2751.24	3178.56	3648.27					260
275	1942.87	2386.30	2848.05	3319.18	3777.96					275

SG 8960 – Electrically Operated Venetian Blind System (50mm leather slat)

Max. system width: 243cm Min. system width: 65cm
Max. system drop: 275cm Max. surface area: 4.6m²

Electrically operated with integral 230v motor no. 11095. Supplied with special recess switch 0613 as standard. For pricing, add to relevant price in table above the sum of **£997.35**

8960 Control Options

Radio control standard option is with System 9940, see page 28.

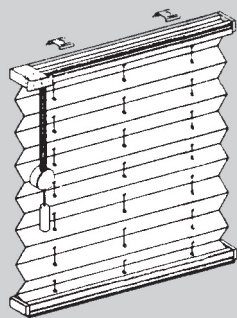
Radio control option with integrated receiver available only with 9940 controls – add on £225.50, see page 28.

SIDE-GUIDES are available for both systems at an additional cost of **£34.24**.

All prices shown exclude VAT



Pleated Blind Systems



SG 8500

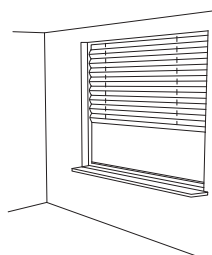
Pleated Blind System supplied complete ready made.
White aluminium head and bottom rail. Pleats 20mm.

Category C

Pleated Blind Systems are supplied made-to-measure, ready to install. White aluminium headrail and components are supplied as standard, brushed aluminium, grey and anthracite are also available. For special colours see page 73.

Please use our technical information leaflet to determine the required Plissée model and contact Silent Gliss for a price.

Choose from following model types:

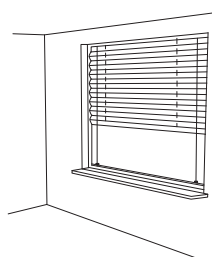


Model Type 'A' – Vertical Freehanging

Electric Operation: AE10

Chain Operation: AK10

Pull Cord Operation: A010, A040, A070



Model Type 'B' – Vertical Side-Guide

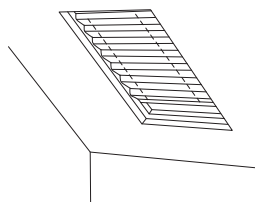
Electrical Operation: BE10

Handle Operation: BB10, BB10U, BB15, BB20, BB20U, BB24, BB30, BB30U, BB34, BB35, BB40, BB80, BB81

Chain Operation: BK10

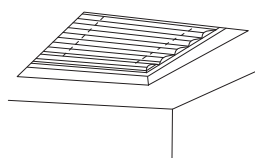
Pull Cord Operation: B010, B020, B030, B075

Fixed: BF50, BF51



Model Type 'D' – Inclined

Handle Operation: DB10, DB10U, DB20, DB20U



Model Type 'P' – Horizontal

Handle Operation: PB10, PB40, PB41, PB60, PB61, PB70, PB71,
PB80, PB81

Electrical Operation: PE10, PE11, PE60, PE61, PE70, PE71

Crank Operation: PR10, PR11

PRICING: Price on application – please contact Silent Gliss

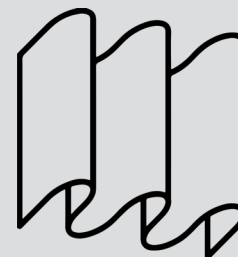
All prices shown exclude VAT



Made-to-measure Curtains

Wave

Curtain prices need to be added to the hardware prices. Prices are for unlined curtains.
For standard lining add 10% or for blackout lining add 15%.



Price Category A

Price Group 1 Fabrics

Colorama 1
Colorama 1 Alu
Colorama 1 Bioactive
Colorama 1 Eco
Colorama 1 Multicolour
Colorama Acoustic
Colorama Acoustic Multicolour
Oscurante
Polyflax
Someo

Width ▶ Drop ▼	150cm	200cm	250cm	300cm	350cm	400cm	450cm	500cm	550cm	600cm	◀ Width ▼ Drop
Up to 300cm	458.76	611.64	764.59	917.47	1070.42	1223.32	1376.22	1529.13	1682.03	1834.93	Up to 9'10"
301-350cm	687.35	917.47	1147.60	1377.72	1607.85	1837.99	2068.10	2298.22	2528.35	2758.48	9'10"-11'5"
351-400cm	790.30	1055.25	1320.21	1585.15	1850.07	2115.05	2380.99	2644.94	2909.89	3174.85	11'5"-13'1"

Price Group 2 Fabrics

Colorama 2
Colorama 2 Bioactive
Colorama 2 Eco
Colorama 2 Multicolour
Leviso
Leviso Light
***Multicolour Natura
***Multicolour Textura
Somnia
Valere

Width ▶ Drop ▼	150cm	200cm	250cm	300cm	350cm	400cm	450cm	500cm	550cm	600cm	◀ Width ▼ Drop
Up to 300cm	629.82	838.76	1047.68	1256.61	1465.55	1674.46	1883.41	2092.32	2301.25	2510.18	Up to 9'10"
301-350cm	944.73	1258.11	1571.51	1884.91	2198.32	2511.70	2825.09	3138.51	3451.90	3765.30	9'10"-11'5"
351-400cm	1087.05	1447.38	1807.71	2168.03	2528.33	2888.67	3249.01	3609.33	3969.66	4329.99	11'5"-13'1"

Price Group 3 Fabrics

***Colorama Dimout
Deep
*Multicolor Dimout
Reflex

Width ▶ Drop ▼	150cm	200cm	250cm	300cm	350cm	400cm	450cm	500cm	550cm	600cm	◀ Width ▼ Drop
Up to 300cm	1229.36	1638.15	2046.9	2455.67	2864.46	3273.23	3682.02	4090.79	4499.56	4908.33	Up to 9'10"
301-350cm	1844.03	2457.21	3070.36	3683.54	4296.68	4909.86	5523.02	6136.19	6749.35	7362.53	9'10"-11'5"
351-400cm	2119.58	2825.09	3530.62	4236.13	4941.64	5647.16	6352.68	7058.19	7763.71	8469.22	11'5"-13'1"

Covered Wave Heading

Available at an extra cost of £34.00 Per Metre.

(Please consider that the additional fold of fabric does mean that the maximum possible curtain drop will be slightly reduced, so if you are specifying particularly long curtains please check first).

Fabric Joining Information for Wave and SWISS Pleat Curtains

By reducing the number of joins the overall curtain appearance improves. The table below indicates the maximum drop available **without joins** for each fabric.

Max drop 170cm	Max drop 200cm	Max drop 240cm	Max drop 260cm	Max drop 280cm	Max drop 290cm	Max drop 300cm
Valere	Reflex	Colorama 1 Alu Somnia	*Leviso *Leviso Light Oscurante Someo	***Colorama Dimout *Multicolour Dimout Deep	Colorama 1 Multicolour Colorama 2 Multicolour Colorama Acoustic Colorama Acoustic Multicolour Polyflax ***Multicolour Natura ***Multicolour Textura	Colorama 1 Colorama 1 Bioactive Colorama 1 Eco Colorama 2 Colorama 2 Bioactive Colorama 2 Eco

We recommend (for Wave) that if dim-out and black-out fabrics have to be made with joins (due to the drop required - see above table) then they should be lined to reduce pinholes.

*Our Wave curtain heading system is designed to encourage fabric to hang in a soft, continuous wave form from the top to the bottom of the curtain. However, the weave and design of some fabrics does not allow this floor-to-ceiling shape when using the 60mm glider cord. Therefore, we do not recommend the following fabrics are specified with 60mm Wave glider-cord:

*Leviso *Colorama Dimout
*Leviso Light *Multicolour Dimout
*Somnia *Deep

***Colorama Dimout is not suitable for drops over 2.8m

***Available May 2024

All prices shown exclude VAT

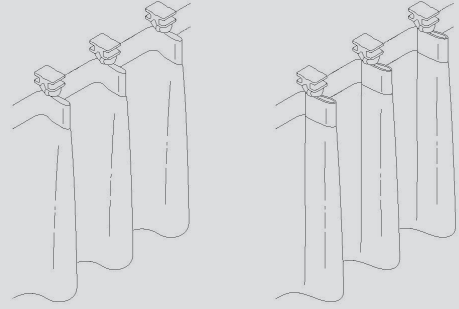


Made-to-measure Curtains

Swiss Pleat Curtain

Curtain prices need to be added to the hardware prices.

Only available unlined.



Single Pleat (Approximate fullness 50%)

Price Category A

Price Group 1 Fabrics

Colorama 1
Colorama 1 Alu
Colorama 1 Bioactive
Colorama 1 Eco
Colorama 1 Multicolour
Colorama Acoustic
Colorama Acoustic Multicolour
Oscurante
Polyflax
Someo

Width ► Drop ▼	150cm	200cm	250cm	300cm	350cm	400cm	450cm	500cm	550cm	600cm	◀ Width ▼ Drop
Up to 300cm	361.99	482.62	603.23	723.85	844.46	965.08	1085.70	1206.33	1326.96	1447.59	Up to 9'10"
301-350cm	543.00	723.91	904.84	1085.76	1266.68	1447.60	1628.52	1809.45	1990.37	2171.29	9'10"-11'5"
351-400cm	624.44	832.50	1040.53	1248.61	1456.67	1664.73	1872.78	2080.84	2288.90	2496.96	11'5"-13'1"

Price Group 2 Fabrics

Colorama 2
Colorama 2 Bioactive
Colorama 2 Eco
Colorama 2 Multicolour
Leviso
Leviso Light
***Multicolour Natura
***Multicolour Textura
Somnia
Valere

Width ► Drop ▼	150cm	200cm	250cm	300cm	350cm	400cm	450cm	500cm	550cm	600cm	◀ Width ▼ Drop
Up to 300cm	496.36	659.55	827.25	992.70	1158.15	1324.05	1489.05	1654.50	1819.95	1985.40	Up to 9'10"
301-350cm	744.53	992.70	1240.87	1519.38	1737.21	1985.38	2233.55	2481.72	2729.89	2978.06	9'10"-11'5"
351-400cm	856.20	1141.60	1427.03	1712.39	1997.78	2283.18	2568.57	2853.97	3139.36	3424.75	11'5"-13'1"

*Available May 2024

Price Group 3 Fabrics

Colorama Dimout
Deep
Multicolor Dimout
Reflex

Width ► Drop ▼	150cm	200cm	250cm	300cm	350cm	400cm	450cm	500cm	550cm	600cm	◀ Width ▼ Drop
Up to 300cm	825.21	1100.27	1375.34	1650.41	1925.48	2200.55	2475.62	2750.69	3025.75	3300.82	Up to 9'10"
301-350cm	1237.82	1650.41	2063.01	2475.61	2888.20	3300.80	3713.40	4125.99	4538.59	4951.19	9'10"-11'5"
351-400cm	1423.48	1897.97	2372.46	2846.94	3321.43	3795.91	4270.40	4744.88	5219.37	5693.85	11'5"-13'1"

Double Pleat (Approximate fullness 100%)

Price Group 1 Fabrics

Colorama 1
Colorama 1 Alu
Colorama 1 Bioactive
Colorama 1 Eco
Colorama 1 Multicolour
Colorama Acoustic
Colorama Acoustic Multicolour
Oscurante
Polyflax
Someo

Width ► Drop ▼	150cm	200cm	250cm	300cm	350cm	400cm	450cm	500cm	550cm	600cm	◀ Width ▼ Drop
Up to 300cm	482.66	643.55	804.44	965.33	1126.22	1287.11	1447.99	1608.88	1769.77	1930.66	Up to 9'10"
301-350cm	723.99	965.33	1206.67	1448.01	1689.34	1930.68	2172.02	2413.36	2654.70	2896.04	9'10"-11'5"
351-400cm	832.59	1110.13	1387.67	1665.21	1942.75	2220.29	2497.83	2775.37	3052.91	3330.46	11'5"-13'1"

Price Group 2 Fabrics

Colorama 2
Colorama 2 Bioactive
Colorama 2 Eco
Colorama 2 Multicolour
Leviso
Leviso Light
***Multicolour Natura
***Multicolour Textura
Somnia
Valere

Width ► Drop ▼	150cm	200cm	250cm	300cm	350cm	400cm	450cm	500cm	550cm	600cm	◀ Width ▼ Drop
Up to 300cm	661.85	882.48	1103.09	1323.71	1544.33	1764.95	1985.57	2206.19	2426.81	2647.43	Up to 9'10"
301-350cm	992.79	1323.71	1654.64	1985.56	2316.48	2647.40	2978.33	3309.25	3640.17	3971.10	9'10"-11'5"
351-400cm	1141.72	1522.28	1902.84	2283.40	2663.97	3044.53	3425.09	3805.66	4186.22	4566.79	11'5"-13'1"

**Available May 2024

Price Group 3 Fabrics

Colorama Dimout
Deep
Multicolor Dimout
Reflex

Width ► Drop ▼	150cm	200cm	250cm	300cm	350cm	400cm	450cm	500cm	550cm	600cm	◀ Width ▼ Drop
Up to 300cm	1100.33	1467.11	1833.88	2200.66	2567.44	2934.21	3300.99	3667.77	4034.54	4401.32	Up to 9'10"
301-350cm	1650.50	2200.66	2750.82	3300.98	3851.14	4401.30	4951.46	5501.62	6051.78	6601.93	9'10"-11'5"
351-400cm	1898.08	2530.76	3163.45	3796.14	4428.83	5061.51	5694.20	6326.90	6959.60	7592.30	11'5"-13'1"

Fabric joining information, please see table on page 74

All prices shown exclude VAT

**Available May 2024

Price Index for Rails & Parts

Product	Description	Unit Prices					Per Metre Price				Ctgy
		Each	Per 10	Per 100	Other Qty	Price	1m	100m	Other Lgth	Price	
18R	Round Head Screw No.8, 25mm/1"			19.66							A
28C	Counter Sunk Screw No.8, 50mm/2"			24.40							A
0286	Cable Clips	0.15									A
0270	RACUB Module	509.04									C
0323	0.5m Blue patch cable	2.35									C
0565	Non latching recess switch, white, 1 gang	129.67									C
0566	Non latching recess switch, white, 2 gang	224.47									C
0567	Non latching recess switch, white, 3 gang	349.55									C
0568	Non latching recess switch, white, 4 gang	444.36									C
0569	Non latching recess switch, white, 6 gang	670.85									C
0593	Gland set for 5682	4.51									C
0614ST	Wireless switch, white	147.09									C
0615	Mains Switch, white, 1 gang, including back box	70.04									C
0616	Latching recess switch, white, 2 gang	94.38									C
0617	Latching recess switch, white, 3 gang	153.38									C
0618	Latching recess switch, white, 4 gang	184.45									C
0619	Latching recess switch, white, 6 gang	255.62									C
0661	Side guide wire						1.12				A
0839	Knot Holder	0.59									A
0921	Booster for 0450 system	601.36									C
0922	Power supply for 0921 booster	150.33									C
1021p	Rail, silver in 5 metre or 6 metre lengths only						8.20				A
1021p	Rail, silver, cut to size						8.97				A
1021p	Rail, white, 6 metre lengths only						17.64				A
1021p	Rail, white, cut to size						18.40				A
1025p	Rail, silver in 5 metre or 6 metre lengths only						8.20				A
1025p	Rail, silver, cut to size						8.97				A
1025p	Rail, white, in 6 metre lengths only						17.64				A
1025p	Rail, white, cut to size						18.40				A
1071	Rail, white in 6 metre lengths only						10.28				A
1071	Rail, white cut to size						11.31				A
1072	Endcap for 1070 Hand, white.		6.10	58.17							A
1080p	Rail, silver in 5 metre or 6 metre lengths only						10.93				A
1080p	Rail, silver, cut to size						11.95				A
1080p	Rail, white, in 5 metre or 6 metre lengths only, black in 6m lengths						11.52				A
1080p	Rail, white, black cut to size						12.84				A
1080p	Rail, matt white, anodic grey, antique bronze, charcoal in 6m. lengths only						23.60				A
1080p	Rail, matt white, anodic grey, antique bronze, charcoal cut to size						24.70				A
1082	Rail, white, in 5 metre or 6 metre lengths only (System 3000)						21.25				A
1082	Rail, white, cut to size (System 3000)						21.96				A
1090p	Rail, silver in 6 metre lengths only						9.36				A
1090p	Rail, silver, cut to size						10.18				A
1090p	Rail, white in 6 metre lengths only						9.69				A
1090p	Rail, white, cut to size						10.68				A
1105	Spacer	1.21	11.55	110.00							A
1128C	Counter sunk screw No.8, 37mm/1 1/2"			31.55							A
1128R	Round head screw No.8, 37 mm/1 1/2"			31.55							A
1148C	Counter sunk screw No.8, 31mm/1 1/4"			23.85							A
1280p	Rail, white, in 5/6 m lengths						15.58				A
1348R	Round head screw No.8, 44mm/1 3/4"			34.76							A
2006	Aluminium weight bar (4 metre length max) 28mm						18.12				A
2049	Gear Drive	34.88	332.12	3018.21							A
2059	Safety Clip		12.50								A
2081	Take up reel, 2120 system	15.56	139.54								A
2091	Endcover (for 2135 steel rod)	1.45	13.37	127.25							A
2093	Ring		3.29	31.20							A
2111	Hexagonal bar							6m	117.35		A
2111	Hexagonal bar, outer of 50 lengths							6m	87.99		A
2116	Touch and close profile							5m	122.23		A
2116	Touch and close profile, outer of 40 lengths							5m	110.00		A
2131	Short end-cover	2.35	21.00								A
2135	Steel rod							3m	10.80		A
2136	Tubular tape (for 2135 steel rod)							235.55			A
2136CR	Tubular tape, cream							241.88			A
2138	T' bracket A, silver, white with 1 rivetted clamp	52.85									C
2139	T' bracket A, silver, white with 2 rivetted clamps	53.29									C
2143	Cord connector	2.30	20.74								A
2144	Cross rail							4m	69.38		C
2145	Glider, wide channel for side rails	1.73	16.57								C
2151	Rail, silver in 6 metre lengths only						136.07				C
2151	Rail, silver, cut to size						149.71				C
2156	Drive shaft						17.59	6m	95.91		C
2160	Motor	1404.83									C
2163	Flat drawing tape 6mm							200m	559.98		A
2164	Ring tape							200m	772.07		A
2164	Ring tape							200m	772.07		A
2164T	Transparent ring tape							50m	193.02		A
2179	Endcover for 2211	1.99	18.76								A
2182	Sleeve and pin, pair				2.00	17.64					C
2188	Glider Insert for 2144	1.59	15.27								C
2189	Gear, system 2190	229.14									C
2191	Rail, silver, 6 metre lengths only						28.73				C
2191	Rail, silver, cut to size						31.59				C

Price Index for Rails & Parts

All prices shown
exclude V.A.T.

Product	Description	Unit Prices				Per Metre Price				Ctgy	
		Each	Per 10	Per 100	Other Qty	Price	1m	100m	Other Lgth		Price
2191	Rail, white, 6 metre lengths only						30.53				C
2191	Rail, white, cut to size						33.57				C
2192	Belt drive endpiece set	16.32									C
2192W	Belt drive endpiece set, white	17.07									C
2193	Belt return set	16.32									C
2193W	Belt return set, white	16.68									C
2198	Pencil pleat tape							50m	379.22		A
2199	Oval wooden weight section							3m	20.63		A
2211	Velcro Profile						44.95		6m	245.03	A
2216	Cord							1000m	348.94		A
2221	Hook tape							100m	697.89		A
2230	Set, white, grey	34.27									C
2242	Connector	43.72									C
2248	Cross rod							6m	112.23		C
2255	Adjustable brake, white, black	9.38	89.40								A
2256	Adjustable brake, white, black	9.38	89.40								A
2301	Profile, White							5.8m	81.70		A
2301	Profile, Black							5.8m	98.03		A
2302	Clip bracket	1.46									A
2302	Clip bracket, Black	1.76									A
2307	Gear/Breakaway set (4:1), White	19.61									A
2307	Gear/Breakaway set (4:1), Black	23.53									A
2308	Spool with lift cord, White, 2305 systems	6.92									A
2308	Spool with lift cord, Black 2305 systems	8.29									A
2309	Hexagonal Bar							5m	11.42		A
2310	Plastic bead chain, White (Discontinued 2023, subject to availability)							250m	171.31		A
2311	Metal bead chain, (2305)							150m	409.25		A
2311/AB	Metal bead chain, Antique Brass (2305)							150m	734.33		A
2311/BL	Metal bead chain, Pewter (2305)							150m	734.33		A
2311/GD	Metal bead chain, Gold (2305)							150m	734.33		A
2312	Bead chain joiner	0.63									A
2319	Plastic chain joiner	0.13									A
2346	Clamp bracket	2.06									A
2346	Clamp bracket, Black	2.47									A
2347/50	50cm drop plastic chain loop, White (Discontinued 2023, subject to availability)	1.59									A
2347/75	75cm drop plastic chain loop, White (Discontinued 2023, subject to availability)	1.78									A
2347/100	100cm drop plastic chain loop, White (Discontinued 2023, subject to availability)	2.03									A
2347/125	125cm drop plastic chain loop, White (Discontinued 2023, subject to availability)	2.35									A
2347/150	150cm drop plastic chain loop, White (Discontinued 2023, subject to availability)	2.60									A
2347/175	175cm drop plastic chain loop, White (Discontinued 2023, subject to availability)	2.86									A
2347/200	200cm drop plastic chain loop, White (Discontinued 2023, subject to availability)	3.30									A
2363	Wall/ceiling bracket for 2350	6.95									A
2471	Bottom weight 5"/127mm	1.37		131.62							C
2473	Bottom weight 3½"/89mm	1.09		102.69							C
2479	Link chain 5"/127mm					1.29		500m	573.54		C
2481	Link chain 3½"/89mm					1.29		500m	573.54		C
2521	Face Fix Bracket (49.6mm)	2.25									C
2539	Touch and close pile section						234.14	25m	65.05		A
2573	Master Carrier for Electric Panel System	16.36									C
2601	Profile only, white						32.60				C
2601	Profile only, silver						31.82				C
2604	Guide	7.13									C
2605	Top clip 127mm each, white	0.53		46.44							C
2606	Reducing Top clip 127mm for 2810	1.02		95.64							C
2608	Endstop for 2601	16.82									C
2610	Endstop	2.58									C
2611	Stopper	2.33									C
2612	Brake	4.27									C
2613	Connector	19.20									C
2614	Recess profile, white, silver						47.17				C
2615	Recess profile, white, silver						32.70				C
2616	Bracket, white	5.27									C
2616	Bracket, silver	2.90									C
2618	Shaft	1.27									C
2620	Pilot Runner	8.89									C
2623	Rotation element (123mm)	3.13									C
2624	Rotation element (101mm)	3.13									C
2625	Rotation element (89mm)	3.13									C
2672	Bottom weight 127mm/5" without horns			102.69							C
2759	Crossrail, 0.13mm							4m	43.97		C
2813	Top clip 89mm, white	0.53		46.44							C
2821	Spacer (65mm)	1.03									C
2826	Chain connector	1.64	15.72								A
2849	PVC top clip			59.78							C
2865	Twin connector	2.16									C
2671	Bottom weight 89mm/3 1/3" without horns			131.62							C
2672	Bottom weight 127mm/5" without horns			102.69							C
2759	Crossrail, 0.13mm							4m	43.97		C
2813	Top clip 89mm, white	0.53		46.44							C
2821	Spacer (65mm)	1.03									C
2826	Chain connector	1.64	15.72								A

Price Index for Rails & Parts

Product	Description	Unit Prices					Per Metre Price				Ctgy
		Each	Per 10	Per 100	Other Qty	Price	1m	100m	Other Lgth	Price	
2849	PVC top clip			59.78							C
2865	Twin connector	2.16									C
2872	Plastic operating chain, white						3.97		250m reel	983.97	C
2872	Plastic operating chain, black						12.85		250m reel	3157.58	C
2932	Recess profile, white, 6 metre lengths only						42.09				C
2932	Recess profile, white, cut to size						46.30				C
2941	Wedge	6.22									C
2948	Rail, white, 5 metre lengths only						100.13				C
2948	Rail, white, cut to size						110.18				C
3003	Clamp		56.38	507.40							C
3004	Clamp		17.68	159.24							A
3008	Connecting bridge	14.33									A
3016	Endstop	0.62		46.66							A
3016	Endstop, Euroslot sachet of 2	2.42									A
3017	(New Code 11335) Endstop	1.24		111.66							A
3030	Pilot runner	2.57		225.38							A
3032	Spring Stop		10.27	92.24							A
3033	Clamp for 2900	3.35	30.16								C
3041	Clamp	9.02	90.17								A
3044	Clamp	2.25									C
3045	Metal overlap	5.30	47.74								A
3060	Clamp for 6465	0.77	7.71	77.10							A
3062	Connecting bridge for 1020 / 6465	3.43									A
3067	Connecting bridge for 6243 profile	4.99									A
3068A	Loop tape								250mtr Peel	791.94	A
3069	Child Safety Eyelet	0.84		81.98							A
3070	Twist eye endstop, white, black	0.93	8.29	74.04							A
3071	Screw twist endstop	3.47	33.03								A
3073	Bottom tape adjuster	0.49	3.65								A
3089	Glider with hook				20.00	13.22					A
3090	Cord, white							174.62			A
3090	Cord, black							174.62			A
3090A	Cord, white								500m	827.80	A
3091	Cord, black							174.61			A
3096	Connecting bridge 1090	18.54	176.63								A
3113	5cm spacer 1090		26.37	237.26							A
3151	Clearance spacer (for top boards)			82.35							A
3164	Hook & Latch Set	1.87		182.67							A
3165	Breakway Ring Set Softfold	1.21		117.95							A
3166	Breakway Ring Set Softfold Tape (per metre)						11.27				A
3175	Universal nylon bracket for 1090/1200 system	1.68	15.58	93.16							A
3176	Top fix bracket 1090/1200, white	1.68	15.58	93.16							A
3181	L' bracket A, silver, white with 1 rivetted clamp	11.11									C
3208A	Intermediate pulley, 3000, white	47.59	433.25								A
3213	Adjustable carrier 3000	3.60		319.04							A
3231	Endfix bracket 3000	12.50	118.61								A
3242	Nylon overlap	3.88	34.31	274.92							A
3242	Nylon overlap, Euroslot sachet of 1	4.98									A
3288	Endpiece set 3000, white	39.95			25.00	890.95					A
3289	Endpiece set, grey	41.39									A
3289	Endpiece set, white	44.03									A
3511	Glider			15.18	25000.00	3046.40					A
3532	Glider			32.19	5000.00	1289.74					A
3533	Glider, white, black			17.02	25000.00	3403.63					A
3533	Glider, white sachets of 25 x 25	105.15									A
3533	Glider, white Euroslot sachets of 25	5.57									A
3534	Glider in strip form, white, black				1000.00	145.59					A
3548	Retrofit glider				25.00	7.86					A
3548	Retrofit glider			28.68	1000.00	286.21					A
3562	Standard tape							295.06			A
3570	Rotating glider		3.74	32.70							A
3571	Hook			14.99	35000.00	4402.92					A
3571	Hook, sachet of 25 x 25	100.09									A
3571	Hook, Euroslot sachet of 25	5.08									A
3580	Glider/hook			60.46	5000.00	2883.91					A
3582	Plastic hook, white, black			13.31							A
3582	Plastic hook, white sachets of 25 x 25	111.78			625.00	111.77					A
3582	Plastic hook, white, black outer 20000				20000.00	2364.21					A
3582	Plastic hook, white, black outer 1000				1000.00	124.44					A
3582	Plastic hook, white Euroslot sachets of 25				25.00	4.68					A
3599	2 prong hook, white, black			20.87	25000.00	3975.59					A
3599	2 prong hook, white sachets of 25 x 25	159.51									A
3599	2 prong hook, white Euroslot sachets of 25	6.87									A
3600	Picture hanging set	28.15									A
3602	Wall support 1080, white	6.38	57.90								A
3603	Top fix bracket, white, black	2.26	20.56	187.23							A
3603	Top fix bracket, Euroslot sachets of 2, white	5.88									A
3604	Nylon Corner Piece (White Only)	4.37									A
3605	Endcover 1080, white, black	3.15	28.64	272.81							A
3606	Snap fastener 1080	1.60	12.50								A
3611	Ceiling stud 1085	2.79									A

Price Index for Rails & Parts

All prices shown
exclude V.A.T.

Product	Description	Unit Prices					Per Metre Price				Ctgy
		Each	Per 10	Per 100	Other Qty	Price	1m	100m	Other Lgth	Price	
3612	Sleeve for 3610	6.16									A
3618	Metal wall support	8.86	79.76								A
3620	Connecting bridge	16.75	156.98								A
3626	Return fixing bracket	5.33	47.95								A
3630	Universal nylon bracket, white, black	2.17	17.25	157.03							A
3630	Universal nylon bracket, white Euroslot sachet of 2	5.66									A
3630	Universal nylon bracket, gold, brown	2.42	21.79								A
3634	Height adjuster	4.89									A
3637A	Cord							500m	399.46		A
3638	Re-inforced corner piece, grey, white	3.66	33.43	304.54							A
3639	Hanger rod assembly complete	28.29									A
3655	Long universal bracket	3.69	35.11	319.49							A
3660	Extra long universal bracket	4.59									A
3660	Extra long universal bracket, Euroslot sachet of 1	6.00									A
3663	Profile hook	4.24									A
3667	Endcover/stop, white, grey, black	1.71	16.53	157.59							A
3667	Endcover/stop, white, grey, Euroslot sachets of 2	4.80									A
3667	Endcover/stop, matt white, anodic grey, antique bronze, charcoal	3.53	33.58	319.79							A
3802	Connecting bridge	18.48									A
3825	Clamp		26.25	251.16							A
3826	Top fix bracket, white, black	1.73	15.75	141.75							A
3832	Twist clamp	3.31									A
3833A	Intermediate pulley, white, black	68.02									A
3833A	Intermediate pulley - Matt white, grey, anodic grey, antique bronze, charcoal	74.38									A
3836	Face fix bracket, white	3.57									A
3841	Rail, silver, white, black in 6 metre lengths only						23.34				A
3841	Rail, silver, white, black cut to size						25.92				A
3841	Rail, matt white, anodic grey, antique bronze, charcoal in 6 metre lengths only						41.48				A
3841	Rail, matt white, anodic grey, antique bronze, charcoal, cut to size						43.79				A
3842	Endcap for 6840 Hand, white, grey, black	0.63	5.71	50.76							A
3842	Endcap for 6840 Hand, anodic grey, antique bronze, charcoal, silver	5.46	52.00	494.91							A
3845	Endpiece set, white, grey, black	22.67									A
3845	Endpiece set, matt white, anodic grey, antique bronze, charcoal	30.57									A
3846	Endpiece set, white, grey	31.36									A
3914	Bracket for return profile	18.74									A
3915	Endpiece set				20.00	513.26					A
3915	Endpiece set				50.00	1155.35					A
3916	Pilot runner for multi-stack system	2.17	19.35								A
3917	Pilot runner	2.97		282.74							A
3922	Roller gliders in strip form, outer of 1000				1000.00	587.01					A
3922	Roller gliders in strip form, outer of 8000				8000.00	4055.87					A
3929A	Intermediate pulley	73.63	700.98								A
3932	Spring stop	1.06	10.09								A
3933	Click glider in strip form, outer of 1000				1000.00	372.96					A
3935	Overlap arm (System 3900)	27.71	264.08								A
3935A	Combination overlap with 'S' hook attachment 3949	31.21	297.33								A
3936	Overlap arm (System 3900)				20.00	279.61					A
3936A	Combination overlap with 'S' hook attachment 3949	18.76	178.61								A
3939	Pilot runner	2.53		242.34							A
3942	Intermediate stop	4.24	41.18								A
3947	Pair of magnetic gliders		120.08								A
3971	Rail, white in 6 metre lengths only						28.55				C
3971	Rail white cut to size						31.41				C
3975	Overlap for pulling by hand (1280)	53.02	504.98								A
3982	Rail, white, available in 5 metre or 6 metre lengths						24.40				A
3985	Endcover in white 1280			270.64							A
4223	Plastic strip with adhesive 12mm						4.28				C
4226	Standard adhesive tape, 30mm								54m	379.02	C
4845	Metal bead chain (2020/2120)								125m	626.05	A
4845BR	Metal bead chain, brass (2020/2120)								125m	1177.50	A
5118	Wedge, white, black	6.72									C
5130	Drive belt for 2190/2195						19.03				C
5190	Motor 100-250V AC with 5 Metre lead	295.66									A
5192	Motor 24V DC	317.84									A
5193	Motor 100-250V AC with mains control	428.32									A
5339	Lead with in-line connector	129.86									C
5670	Overlap	81.25									C
5682	Hood	19.20									C
5684	Connector	41.17									C
5736	Surface Relay Socket	188.75									C
5778	Special plug for cable 5779, pair	4.52			2.00	9.04					C
5779	4 core low voltage connecting cable						6.17				C
5782ST	Single Channel radio handset white	131.43									C
5784ST	Multi channel radio handset white	173.21									C
5805	Motor for 5800	13971.37									C
5806	Pilot runner	39.92									C
5809	Roller glider		135.03								C
5810	Profile						141.06				C
5811	Overlap	274.04									C
5813	Floor frame	1718.59									C
5814	Cable						42.73				C

Price Index for Rails & Parts

Product	Description	Unit Prices					Per Metre Price				Ctgy
		Each	Per 10	Per 100	Other Qty	Price	1m	100m	Other Lgth	Price	
5815	Cord guide return	403.77									C
5816	Cord guide	528.20									C
5824	Endstop	43.43									C
5829	2 hole fixing plate	12.48									C
5834	Double pilot	292.74									C
6010p	Rail, white, black in 6 metre lengths only						21.74				A
6010p	Rail, white, black, cut to size						23.91				A
6018	Endcap, white, black for 6010		7.65	72.84							A
6021p	Rail, white, in 6 metre lengths						14.77				A
6024	Panel glide connecting bridge	15.94									C
6053	Spring stop	1.73	16.01								A
6063	Overlap	13.72	124.78	1166.25							A
6063R	Overlap arm with rollers for 30mm Corded	23.74									A
6064	Screw twist endstop, white	1.67	14.16								A
6065	Twist eye endstop, white, black	1.46	13.44	123.60							A
6070	Cord 6200/6370							489.57			C
6079	Overlap	44.65									C
6086	Spring stop, white, black	2.44	22.92	208.21							A
6094	Roller glider with hook		40.18	382.22							A
6098	Roller glider with eye, white, black		33.88	321.44							A
6099	Wave roller glider (80mm) white								50m	3515.62	A
6101	Rail, Black and Matt White in 6m only, White in 4.5m, 5m, 5.5m, 6m, 6.75m, lengths only						40.68				A
6101	Rail, Silver in 4.5m, 5m, 5.5m, 6m, 6.75m, lengths only						36.17				A
6101	Rail, Gunmetal, Antique Bronze, Bronze, Anodic Grey, Charcoal, Slate Grey 6m lengths only, Rail, chrome effect, 4m lengths only						52.49				A
6103	Rail, Silver, White, Matt White, Ecru, Black in 6 metre lengths only						37.49				A
6103	Rail, Antique Bronze, Anodic Grey, Bronze, Charcoal, Gunmetal, Slate Grey, Sand, Ochre, Taupe, Chrome effect (Chrome effect 4m lengths max)						54.87				A
6105	Hanger with plate, 61cm, white, silver	130.96									A
6105	Hanger with plate, 61cm, black	137.48									A
6105	Hanger with plate, 91cm, white, silver	137.38									A
6105	Hanger with plate, 91cm, black	144.27									A
6106	Rail, White, Matt White Ecru Black in 6 metre lengths only						49.18				A
6106	Rail, Antique Bronze, Anodic Grey, Bronze, Charcoal, Gunmetal, Slate Grey, Sand, Ochre, Taupe, Chrome effect (Chrome effect 4m lengths max)						67.61				A
6107	V-Hanger with plate, 61cm, white, silver	175.75									
6107	V-Hanger with plate, 61cm, black	184.49									
6107	V-Hanger with plate, 91cm, white, silver	188.57									
6107	V-Hanger with plate, 91cm, black	198.06									
6110	Dustcover, white						4.02				A
6122	Endstop			356.81							A
6124	Twist fixing plate	6.35									A
6124	Twist fixing plate, black	10.17									A
6137	Ceiling fix plate, single, silver	8.83									A
6137	Ceiling fix plate, single, white	9.69									A
6138	Ceiling fix plate, double, silver	9.84									A
6138	Ceiling fix plate, double, white	10.80									A
6141	Insert		31.06	286.15							A
6143	Glider			22.81	1000.00	212.95					A
6146	Hook			24.08	12.00	3.56					A
6147	Glider hook				20.00	15.39					A
6147	Glider hook				500.00	308.03					A
6147	Glider hook				8000.00	4126.54					A
6148	Glider (yellow)				1000.00	342.54					A
6149	Lead glider (blue)			84.21							A
6151	Ceiling support 3mm, Antique Bronze, Bronze, Anodic Grey, Black, Bronze, Charcoal, Ecru, Gunmetal, Slate Grey, Silver, Sand, Ochre, Taupe, White, Matt White, Chrome effect for 30mm Hand	10.97	98.80								A
6152	Ceiling support 9mm, Antique Bronze, Bronze, Anodic Grey, Black, Bronze, Charcoal, Ecru, Gunmetal, Slate Grey, Silver, Sand, Ochre, Taupe, White, Matt White, Chrome effect for 30mm Cord	21.92	197.62								A
6160	Track insert	20.87									A
6160	Track insert, black	56.04									A
6173	Connecting bridge	6.52	62.14								A
6175	Mini hanger, white / silver	33.40									A
6175	Mini hanger, Black, Antique Bronze, Anodic Grey, Bronze, Charcoal, Ecru, Gunmetal, Matt White, Ochre, Slate Grey, Sand, Taupe	43.93	418.43								A
6187	Dummy ceiling support sleeve, silver	10.97									A
6187	Dummy ceiling support sleeve, white	12.67									A
6190	Hanger rod assembly, complete including 6192 ceiling support and 6191 rod 61 cm (2') silver	56.52									A
6190	Hanger rod assembly, complete including 6192 ceiling support and 6191 rod 61 cm (2') white	59.64									A
6190	Hanger rod assembly, complete including 6192 ceiling support and 6191 rod 61 cm (2') black	67.47									A
6190	Hanger rod assembly, complete including 6192 ceiling support and 6191 rod 91 cm (3') silver	59.04									A
6190	Hanger rod assembly, complete including 6192 ceiling support and 6191 rod 91 cm (3') white	63.00									A

Price Index for Rails & Parts

All prices shown
exclude V.A.T.

Product	Description	Unit Prices					Per Metre Price				Ctgy
		Each	Per 10	Per 100	Other Qty	Price	1m	100m	Other Lgth	Price	
6190	Hanger rod assembly, complete including 6192 ceiling support and 6191 rod 91 cm (3') black	75.79									A
6191	Hanger tube, silver						19.48				A
6191	Hanger tube, white						21.65				A
6191	Hanger tube, black						25.99				A
6192B	Ceiling support, 100mm complete with stud 6193 and 2 grub screws, silver	40.68									A
6192B	Ceiling support, 100mm complete with stud 6193 and 2 grub screws, white	42.72									A
6192B	Ceiling support, 100mm complete with stud 6193 and 2 grub screws, black	45.75									A
6193	Stud for ceiling support	3.90									A
6194	Insert	5.88									A
6199	Internal connecting bridge	15.18									A
6203	Connecting bridge	34.00									C
6209	Clamp	10.10	95.91								C
6214	Adjustable pilot	14.33									C
6224	Nylon clamp	17.44									C
6227	Master runner	14.33									C
6228	Double fixing plate	7.89									C
6243p	Rail White in 6 metre lengths only						14.73				A
6268	Hanger	13.70									C
6269	Connecting bridge for 6293	51.24									A
6283	Roller glider		21.03	199.51							A
6288	Plastic overlap arm, white, black	4.36	39.29	353.40							A
6290p	Rail, White, in 6m lengths						9.00				A
6293p	Rail, white in 6 metre lengths only						37.87				A
6293p	Rail, white cut to size						41.65				A
6349	Wave curtain tape, white, 50m, 100m rolls only							351.79	50.00	180.17	A
6349	Wave curtain tape, black, 50m, 100m rolls only							422.16	50.00	216.20	A
6354	Pilot runner	7.53	71.67								A
6363	Wave Iron-on hemming tape							250.46			A
6364	Extension arm, white, black	6.12	55.08								A
6365	Hanger, white, black	5.10	45.91								A
6366	Draw rod carrier, white, black	9.66	86.97								A
6367	Master carrier	3.06	27.55								A
6368	Carrier	3.06	27.55								A
6369	Insert for face fixing 6370	6.17									C
6371	Rail, silver in 5 metre and 6 metre lengths only						39.47				C
6371	Rail, silver, cut to size						45.61				C
6376	Connecting bridge	20.55	195.19								C
6377	Endpiece set, grey	84.47	804.50								C
6380p	Rail, white in 6 metre lengths only						22.78				A
6380p	Rail, white cut to size						25.06				A
6381	End cap white for 6380			356.41							A
6398	Clip	1.20	10.78								C
6466	Rail, white, black in 6 metre lengths only						23.16				A
6466	Rail, white, black cut to size						25.48				A
6471	Endcover white, black for 6465		14.50	138.19							A
6501	V-hanger, silver	91.75			metre drop	34.11					A
6501	V-hanger, white	100.96			metre drop	37.50					A
6503	Wall bracket complete, white, 25mm long with 50mm projection	19.05									A
6503	Wall bracket complete, silver, 25mm long with 50mm projection	17.30									A
6503	Wall bracket complete, white, 50mm long with 50mm projection	25.38									A
6503	Wall bracket complete, silver, 50mm long with 50mm projection	22.41									A
6503	Wall bracket complete, white, 100mm long with 50mm projection	31.46									A
6503	Wall bracket complete, silver, 100mm long with 50mm projection	28.01									A
6503	Wall bracket complete, white, 200mm long with 50mm projection	44.02									A
6503	Wall bracket complete, silver, 200mm long with 50mm projection	39.69									A
6503	Wall bracket complete, white, 50mm long with 100mm projection	37.44									A
6503	Wall bracket complete, silver, 50mm long with 100mm projection	33.35									A
6503	Wall bracket complete, white, 100mm long with 100mm projection	51.87									A
6503	Wall bracket complete, silver, 100mm long with 100mm projection	47.16									A
6503	Wall bracket complete, white, 75mm long with 150mm projection	90.90									A
6503	Wall brackets complete, silver 75mm long with 150mm projection	82.63									A
6512	Connecting bridge, silver, white	71.34									A
6512	Connecting bridge, black	78.54									A
6514M	T-junction, single, silver	14.02									A
6514M	T-junction, single, white	16.63									A
6519	Silver V-hanger rod						13.80				A
6521	External bridge 6103, silver	88.14									A
6521	External bridge 6103, white	93.93									A
6524A	Diagonal fixing support, silver, white	78.12									A
6525A	Double T-junction, silver	19.31									A
6525A	Double T-junction, white	22.32									A
6530	V Hanger, black, 61cm long	282.07									A
6530	V Hanger, black, 91cm long	290.39									A
6610	Wall support, white	10.02									A
6610	Wall support, grey,	10.01									A
6610	Wall support, black	21.50									A
6611	Endcover, grey	7.75									A
6611	Endcover, white	8.74									A
6611	Endcover, black	10.49									A
6620	Wall bracket 6103, grey	23.56	224.40								A

Price Index for Rails & Parts

Product	Description	Unit Prices					Per Metre Price				Ctgy
		Each	Per 10	Per 100	Other Qty	Price	1m	100m	Other Lgth	Price	
6620	Wall bracket 6103, white	18.01	162.85								A
6625A	Fixing sleeve complete for V-hanger/diagonal support, silver	37.28									A
6625A	Fixing sleeve complete for V-hanger/diagonal support, white	42.08									A
6628	V-hanger track insert	28.26									A
6632	Internal connecting bridge 6103	11.88									A
6635	Internal connecting bridge	24.62									A
6639	Track insert	3.52									A
6655	Wall Support	40.75									A
6663	Wall brackets connector plate complete	49.27									A
6666	Safety connecting bridge	62.86									A
6669	Dustcap for 6650 (2.5mtr length)							1m	7.40		A
6671	Washer insert for countersunk screw	2.46									A
6672	Cover for 6671	3.10									A
6675	Safety Device	51.48									A
6677	V-Hanger safety device	78.92									A
6679	Acrylic disc for use with 6655	9.57									A
6739	Machine screw M4 6mm/ 1/4"			20.19							A
6748	Machine screw M4 8mm/ 5/16"			28.14							A
6770	Locking pin	1.99									A
6771	Vine eye	2.30									A
6784	Machine screw for 6639			48.00							A
6789	Grub screw	0.34									A
6794	Screw for 5600 Direct Fix	0.07		5.76							C
6798	Machine screw M4 12mm/ 1/2"			29.51							A
6821	Rail, white in 6 metre lengths only						22.46				A
6821	Rail, white cut to size						24.71				A
6822	Rail, white in 6 metre lengths only						12.56				A
6822	Rail, white cut to size						13.82				A
6823	Endcover with screw white for 6820	7.78	74.08	705.56							A
6824	Endcover with screw white for 1020	7.37	70.26	669.19							A
6835A	Round head No. 4 screw 12mm/ 1/2"			11.30							A
6835B	Round head No. 4 screw 25mm/ 1"			19.50							A
6944	Screw Countersunk Head M3 x 8			17.11							A
6938	Screw Countersunk Head M5 x 10			25.57							A
7002	Rail protector	7.33									A
8013	Bottom bar clip (25mm)	1.77	16.14								C
8235	Wire base short, white, grey, black	4.64									C
8236	Wire base long, white, grey, black	6.20									C
8237	Wire holder, white, grey, black	6.31									C
8249A	Locking ring	0.81									C
8920	Universal bracket for 8910	9.24									C
9060	Motor, white, grey	1151.44									C
9060	Motor, black	1381.72									C
9060	Motor, white, grey, slow motor	1151.44									C
9063	Radio module set, white, grey (compatible with 9940)	215.52									C
9063	Radio module set, black (compatible with 9940)	258.63									C
9068	Single channel receiver	497.83									C
9090	Motor for 2650/2950	909.75									C
9091	Motor with receiver for 2650/2950	1034.19									C
9916	In line connector for electric Roller blinds	81.64									C
9944	Single channel receiver, non latching	381.73									C
9945	Single channel receiver, latching	345.14									C
9947	Control unit DC 24V	225.56									C
9953	Volt free switching module	244.88									C
9959	Surface relay socket	188.75									C
9960	Move server unit	POA									C
10040	Power supply set for 2650, 2950	158.70									C
10048	Power cable with plug for 5090, 2650 and 2950	9.28									C
10075	Lead weight						4.45				A
10076	Fabric weight white	15.30									A
10076/1	Fabric weight s/steel	10.41									A
10122	Profile cut to size, white, (for System 2700, 2 channel)						46.17				C
10123	Profile cut to size, white, (for System 2700, 3 channel)						74.50				C
10124	Profile cut to size, white, (for System 2700, 4 channel)						79.33				C
10125	Profile cut to size, white, (for System 2700, 5 channel)						86.17				C
10132	Profile cut to size, white (for System 2730, 2 channel)						36.41				C
10133	Profile cut to size, white (for System 2730, 3 channel)						57.16				C
10134	Profile cut to size, white (for System 2730, 4 channel)						77.90				C
10135	Profile cut to size, white (for System 2730, 5 channel)						98.65				C
10136	Top fix bracket for 2700, 2 channel profile only	4.51	42.85								C
10137	Top fix bracket for 2700, 3, 4 and 5 channel profiles	5.26	50.00								C
10139	Screw	0.10									A
10140	Angle with screw	1.89									C
10142	Cover for 2 channel 2700 profile	2.78									C
10143	Cover for 3 channel 2700 profile	2.79									C
10144	Cover for 4 channel 2700 profile	2.85									C
10145	Cover for 5 channel 2700 profile	3.99									C
10146	Angle with screw	1.89									C
10148	Eyelet with screw	2.50									C
10150	Pilot runner with screw for 2700	4.96									C
10153	Cord guide for 3 channel 2700 profile	10.07									C

Price Index for Rails & Parts

All prices shown
exclude V.A.T.

Product	Description	Unit Prices					Per Metre Price				Ctgy
		Each	Per 10	Per 100	Other Qty	Price	1m	100m	Other Lgth	Price	
10154	Cord guide for 4 channel 2700 profile	10.16									C
10155	Cord guide for 5 channel 2700 profile	11.96									C
10156	End stop with screw for 2700	3.93									C
10157	Wedge, white, black for 2700, 6870 and 3870 recess profiles	2.66	25.24								A
10172	Recess profile, 2 channel, (for System 2700)						40.53				C
10173	Recess profile, 3 channel, (for System 2700)						40.53				C
10174	Recess profile, 4 channel, (for System 2700)						40.53				C
10175	Recess profile, 5 channel, (for System 2700)						40.53				C
10177	Connecting bridge for 2730	7.24									C
10180	Carrier assembled, flexible, (for system 2730)						52.29				C
10200	Roller for 2700 carrier	1.76									C
10230	Carrier assembled, white, (for system 2700)						48.70				C
10234	Glass weight bar 16mm	2.01									C
10252	2700 carrier end cover left	0.99									C
10253	2700 carrier end cover right	0.99									C
10281	Slot nut (for System 2730)		20.75								C
10300	Single channel hand held remote	280.63									C
10302	5 + 1 channel hand held remote	280.63									C
10303	10 + 2 + 1 channel hand held remote	342.03									C
10399	Design Fascia for 2730, white				per system	5.01	30.65				C
10430	Draw rod 50cm aluminium	11.86									A
10430	Draw rod 50cm white	12.87									A
10430	Draw rod 50cm black	15.44									A
10431	Draw rod 75cm aluminium	13.81									A
10431	Draw rod 75cm white	15.41									A
10431	Draw rod 75cm black	18.49									A
10432	Draw rod 100cm aluminium	15.64									A
10432	Draw rod 100cm white	17.59									A
10432	Draw rod 100cm black	21.12									A
10433	Draw rod 125cm aluminium	17.05									A
10433	Draw rod 125cm white	19.31									A
10433	Draw rod 125cm black	23.16									A
10434	Draw rod 150cm aluminium	18.30									A
10434	Draw rod 150cm white	20.84									A
10434	Draw rod 150cm black	25.01									A
10530	Chain for 4910 roller blind								150m	466.89	A
10530BR	Brass chain for 4910 roller blind								125m	410.69	A
10534	Continuous headrail profile for 4900, 4910, 4960 silver, white (per m width)						24.28				A
10539	Optional click bracket for fixing continuous headrail 10534	5.78									C
10632	Intermediate bracket cover for 4910, 4960 white, grey, black	6.91									C
10645	Pull grip set	16.31									C
10707	Cushion, white, grey, black 4910	2.01									C
10709	Chain stop	1.03									C
10717	Screw for 6243 Profile	0.43		41.71							A
10731	Cord retainer, white, black	0.52									E
10804	15 + 5 + 1 channel hand held-remote.	342.02									C
10815	Cover, white, grey, black	1.89									A
10816	Motor cover, white, grey, black	1.44									C
10817	Motor case holder, white, grey, black	10.02									C
10819	Belt return set, white, grey, black	16.00									C
10820	Overlap arm, straight, black	6.05									C
10821	Overlap arm, bent, white, black	6.48									C
10821L	Long overlap arm, bent	50.98									C
10822	Master carrier set, white, black	6.92									C
10823	Belt connector arm	2.22									A
10824	Belt connector pin	2.22									A
10825	Drive belt							683.46			A
10826	Overlap support set , white, black	7.64									C
10831	Connecting bridge 5600	16.79									C
10836	Mask pair stack, white, black	2.14									A
10837	Pilot runner arm, white, black	2.88									C
10838	Pilot runner set , white, black	32.57									C
10840	2C Roller Glider, white, black	3.60	35.31	330.00							C
10844	Wave endstop (motor), white, grey, black	2.02									C
10845	Wave master carrier, white, black single stack (80mm)	18.01									C
10850	Rail, white, black, silver 6 metre lengths only						22.13				C
10850	Rail, white, black, silver cut to size						24.35				C
10852	Wave roller glider cord (80mm), white, black 6.5mm channel								57m	3831.77	C
10854	Wave overlap support arm, white, black	2.94									A
10856	Wave end stop (return end), white, grey, black	3.24									C
10862	Recess profile, white, black for 5600, white, 6 metre lengths only						28.09				C
10862	Recess profile, white, black for 5600, white, cut to size						30.90				C
10863	Recess mask, motor, white, black	5.55									C
10864	Recess mask, belt return, white, black	4.83									C
10865	Mounting support plate	2.38									C
10867	M4 X 16 Pan Head Screw for 5100	0.10									A
10869	Wave roller glider cord (60mm), white, black, 6.5mm channel								43m	3662.09	C
10886	Wave overlap arm, pilot runner set, white, black	9.08									C
10887	Wave overlap arm set, white, black	9.29									C
10905	Wave glider cord, white (80mm), 6.5mm channel								50m	1881.58	A
10906	Wave glider cord, white (60mm), 6.5mm channel								50m	2257.52	A

Price Index for Rails & Parts

All prices shown
exclude V.A.T.

Product	Description	Unit Prices					Per Metre Price				Ctgy
		Each	Per 10	Per 100	Other Qty	Price	1m	100m	Other Lgth	Price	
10924	Wave glider support, white, black	2.33									A
10923	Pan head screw M4 x 12 for 3970			57.10							C
10925	Rail, white 6 metre lengths only (System 5100)							6m	160.79		A
10925	Rail, white, cut to size (System 5100)						28.13				A
10926	Clamp	4.95	47.17	449.22							A
10927	Hook for 5100	2.74									A
10931	Roller Glider for 10925	0.51									A
10933	Belt return & Motor Holder Set	9.50									A
10936	Overlap Arm Set	14.62									A
10940	Belt Return for 5100	7.97									A
10943	Connecting bridge for 5100	18.93									A
10945	Endstop for 5100	2.06									A
10946	1 Channel Transmitter White	64.30									A
10947	2+1 Channel Transmitter White	78.90									A
10948	6+1 Channel Transmitter White	78.90									A
10949	1 Channel Wall Transmitter White	53.33									A
10950	2+1 Channel Wall Transmitter White	78.90									A
10951	5+1 Channel Wall Transmitter White	78.90									A
11116	Smart Fix Bracket Cover with Magnet in Silver and White	5.58	53.11	505.83							A
11116	Smart Fix Bracket Cover with Magnet in Antique Bronze, Anodic Grey, Black, Bronze, Charcoal, Ecu, Gunmetal, Slate Grey, Sand, Ochre, Taupe, Matt White	6.57	62.58	596.02							A
11116	Smart Fix Bracket Cover with Magnet in Chrome effect	12.88	122.69	1168.51							A
11118	Smart Fix 60mm Bracket in White and Silver (Set equivalent 11200)	4.71	43.32	411.54							A
11118	Smart Fix 60mm Bracket in Anodic Grey, Antique Bronze, Black, Charcoal (Set equivalent 11200)	5.17	47.65	452.69							A
11119	Smart Fix 80mm Bracket in White and Silver (Set equivalent 11201)	5.40	52.66	500.22							A
11119	Smart Fix 80mm Bracket in Anodic Grey, Antique Bronze, Black, Charcoal (Set equivalent 11201)	5.94	57.93	550.25							A
11120	Smart Fix 100mm Bracket in White and Silver (Set equivalent 11202)	5.54	53.34	506.76							A
11120	Smart Fix 100mm Bracket in Anodic Grey, Antique Bronze, Black, Charcoal (Set equivalent 11202)	6.10	58.67	557.43							A
11121	Smart Fix 120mm Bracket in White and Silver (Set equivalent 11203)	9.11	86.64	824.75							A
11121	Smart Fix 120mm Bracket in Anodic Grey, Antique Bronze, Black, Charcoal (Set equivalent 11203)	10.02	95.30	907.23							A
11122	Smart Fix 150mm Bracket in White and Silver (Set equivalent 11204)	9.32	88.55	843.05							A
11122	Smart Fix 150mm Bracket in Anodic Grey, Antique Bronze, Black, Charcoal (Set equivalent 11204)	10.25	97.40	927.35							A
11123	Smart Fix 200mm Bracket in White and Silver (Set equivalent 11205)	10.33	98.08	933.89							A
11123	Smart Fix 200mm Bracket in Anodic Grey, Antique Bronze, Black, Charcoal (Set equivalent 11205)	11.35	107.89	1027.28							A
11124	Smart Fix 60mm Bracket Slotted for Metropole in Silver, Black, White, Matt White, Ecu, Gunmetal, Charcoal, Bronze, Antique Bronze, Anodic Grey, Slate Grey, Ochre, Sand, Taupe (Set equivalent 11206)	6.13	56.86	522.51							A
11124	Smart Fix 60mm Bracket Slotted for Metropole in Chrome effect (Set equivalent 11206)	10.38	101.30	942.28							A
11125	Smart Fix 80mm Bracket Slotted for Metropole in Silver, Black, White, Matt White, Ecu, Gunmetal, Charcoal, Bronze, Antique Bronze, Anodic Grey, Slate Grey, Ochre, Sand, Taupe (Set equivalent 11207)	7.29	67.60	621.21							A
11125	Smart Fix 80mm Bracket Slotted for Metropole in Chrome effect (Set equivalent 11207)	11.02	107.65	1001.18							A
11126	Smart Fix 100mm Bracket Slotted for Metropole in Silver, Black, White, Matt White, Ecu, Gunmetal, Charcoal, Bronze, Antique Bronze, Anodic Grey, Slate Grey, Ochre, Sand, Taupe (Set equivalent 11208)	8.60	79.53	731.09							A
11126	Smart Fix 100mm Bracket Slotted for Metropole in Chrome effect (Set equivalent 11208)	13.99	136.61	1270.72							A
11127	(New code 20798) M4 x 10 CSK. Head Screw for 6138P/6141			30.86							A
11128	Smart Fix Adjustable Extension Bracket slotted for Metropole in Silver, Black, White, Matt White, Ecu, Gunmetal, Charcoal, Bronze, Antique Bronze, Anodic Grey, Slate Grey, Ochre, Sand, Taupe (Set equivalent 11209)	10.78	102.66	977.68							A
11128	Smart Fix Adjustable Extension Bracket slotted for Metropole in Chrome effect (Set equivalent 11209)	22.41	213.41	2032.47							A
11137	Square Smart Fix Bracket Cover with Magnet in Silver and White	6.51	62.03	590.79							A
11137	Square Smart Fix Bracket Cover with Magnet in Antique Bronze, Anodic Grey, Black, Bronze, Charcoal, Ecu, Gunmetal, Slate Grey, Sand, Ochre, Taupe, Matt White	8.27	78.78	750.25							A
11137	Square Smart Fix Bracket Cover with Magnet in Chrome effect	13.06	124.34	1184.19							A
11139	Square Smart Fix 60mm Bracket in White and Silver (Set equivalent 11210)	6.61	62.99	599.94							A
11139	Square Smart Fix 60mm Bracket in Anodic Grey, Antique Bronze, Black, Charcoal (Set equivalent 11210)	8.78	83.58	796.01							A
11140	Square Smart Fix 80mm Bracket in White and Silver (Set equivalent 11211)	7.29	69.44	661.37							A
11140	Square Smart Fix 80mm Bracket in Anodic Grey, Antique Bronze, Black, Charcoal (Set equivalent 11211)	9.67	92.14	877.55							A
11141	Square Smart Fix 100mm Bracket in White and Silver (Set equivalent 11212)	7.98	76.03	724.11							A
11141	Square Smart Fix 100mm Bracket in Anodic Grey, Antique Bronze, Black, Charcoal (Set equivalent 11212)	10.58	100.70	959.12							A
11142	Square Smart Fix 120mm Bracket in White and Silver (Set equivalent 11213)	8.80	83.85	798.61							A
11142	Square Smart Fix 120mm Bracket in Anodic Grey, Antique Bronze, Black, Charcoal (Set equivalent 11213)	11.64	110.88	1055.98							A
11143	Square Smart Fix 150mm Bracket in White and Silver (Set equivalent 11214)	9.91	94.42	899.26							A

Price Index for Rails & Parts

All prices shown
exclude V.A.T.

Product	Description	Unit Prices					Per Metre Price				Ctgy
		Each	Per 10	Per 100	Other Qty	Price	1m	100m	Other Lgth	Price	
11143	Square Smart Fix 150mm Bracket in Anodic Grey, Antique Bronze, Black, Charcoal (Set equivalent 11214)	13.09	124.61	1186.81							A
11144	Square Smart Fix 200mm Bracket in White and Silver (Set equivalent 11215)	11.28	107.46	1023.43							A
11144	Square Smart Fix 200mm Bracket in Anodic Grey, Antique Bronze, Black, Charcoal (Set equivalent 11215)	14.87	141.56	1348.24							A
11145	Square Smart Fix 60mm Bracket Slotted for Metropole in Silver, Black, White, Matt White, Ecu, Gunmetal, Charcoal, Bronze, Antique Bronze, Anodic Grey, Slate Grey, Ochre, Sand, Taupe (Set equivalent 11216)	8.07	76.86	731.95							A
11145	Square Smart Fix 60mm Bracket Slotted for Metropole in Chrome effect (Set equivalent 11216)	14.18	135.05	1286.14							A
11146	Square Smart Fix 80mm Bracket Slotted for Metropole in Silver, Black, White, Matt White, Ecu, Gunmetal, Charcoal, Bronze, Antique Bronze, Anodic Grey, Slate Grey, Ochre, Sand, Taupe (Set equivalent 11217)	8.65	82.34	784.23							A
11146	Square Smart Fix 80mm Bracket Slotted for Metropole in Chrome effect (Set equivalent 11217)	14.70	139.99	1333.20							A
11147	Square Smart Fix 100mm Bracket Slotted for Metropole in Silver, Black, White, Matt White, Ecu, Gunmetal, Charcoal, Bronze, Antique Bronze, Anodic Grey, Slate Grey, Ochre, Sand, Taupe (Set equivalent 11218)	9.45	90.03	857.43							A
11147	Square Smart Fix 100mm Bracket Slotted for Metropole in Chrome effect (Set equivalent 11218)	15.22	144.93	1380.25							A
11154	Universal Smart Fix 120mm in White and Silver	21.93	208.88	1989.34							A
11154	Universal Smart Fix 120mm in Black (Gunmetal, Matt White, Charcoal, Ecu, Bronze, Antique Bronze, Anodic Grey, Slate Grey, Ochre, Sand, Taupe available 1st February 2024)	25.22	240.21	2287.75							A
11155	Universal Smart Fix 150mm in White and Silver	22.29	212.31	2022.02							A
11155	Universal Smart Fix 150mm in Black (Gunmetal, Matt White, Charcoal, Ecu, Bronze, Antique Bronze, Anodic Grey, Slate Grey, Ochre, Sand, Taupe available 1st February 2024)	25.63	244.16	2325.31							A
11156	Universal Smart Fix 200mm in White and Silver	22.78	216.98	2066.46							A
11156	Universal Smart Fix 200mm in Black (Gunmetal, Matt White, Charcoal, Ecu, Bronze, Antique Bronze, Anodic Grey, Slate Grey, Ochre, Sand, Taupe available 1st February 2024)	26.19	249.53	2376.42							A
11190	Rail, white, black and silver in 6 meter lengths						22.21				A
11190	Rail, white, black and silver cut to size						24.43				A
11190	Rail, matt white, anodic grey, antique bronze and charcoal in 6m lengths						39.64				A
11190	Rail, matt white, anodic grey, antique bronze and charcoal cut to size						43.60				A
11200	Smart Fix 60mm Bracket Set in White and Silver (made up of 11118 + 11116)	7.63	72.65	691.94							A
11200	Smart Fix 60mm Bracket Set in Anodic Grey, Antique Bronze, Black, Charcoal, Matt White (made up of 11118 + 11116)	10.02	95.50	909.48							A
11201	Smart Fix 80mm Bracket Set in White and Silver (made up of 11119 + 11116)	8.61	81.97	780.63							A
11201	Smart Fix 80mm Bracket Set in Anodic Grey, Antique Bronze, Black, Charcoal, Matt White (made up of 11119 + 11116)	10.45	99.50	947.64							A
11202	Smart Fix 100mm Bracket Set in White and Silver (made up of 11120 + 11116)	8.68	82.65	787.16							A
11202	Smart Fix 100mm Bracket Set in Anodic Grey, Antique Bronze, Black, Charcoal, Matt White (made up of 11120 + 11116)	11.29	107.52	1023.96							A
11203	Smart Fix 120mm Bracket Set in White and Silver (made up of 11121 + 11116)	13.26	126.24	1202.27							A
11203	Smart Fix 120mm Bracket Set in Anodic Grey, Antique Bronze, Black, Charcoal, Matt White (made up of 11121 + 11116)	14.58	138.86	1322.50							A
11204	Smart Fix 150mm Bracket Set in White and Silver (made up of 11122 + 11116)	13.46	128.16	1220.57							A
11204	Smart Fix 150mm Bracket Set in Anodic Grey, Antique Bronze, Black, Charcoal, Matt White (made up of 11122 + 11116)	14.81	140.98	1342.63							A
11205	Smart Fix 200mm Bracket Set in White and Silver (made up of 11123 + 11116)	14.46	137.70	1311.41							A
11205	Smart Fix 200mm Bracket Set in Anodic Grey, Antique Bronze, Black, Charcoal, Matt White (made up of 11123 + 11116)	15.90	151.46	1442.55							A
11206	Smart Fix 60mm Bracket Slotted for Metropole Bracket Set in Black, Silver, White, Matt White, Ecu, Gunmetal, Charcoal, Bronze, Antique Bronze, Anodic Grey, Slate Grey, Ochre, Sand, Taupe (made up of 11124 + 11116)	8.85	84.31	802.91							A
11206	Smart Fix 60mm Bracket Slotted for Metropole Bracket Set in Chrome effect (made up of 11124 + 11116)	16.23	154.58	1472.20							A
11207	Smart Fix 80mm Bracket Slotted for Metropole Bracket Set in Black, Silver, White, Matt White, Ecu, Gunmetal, Charcoal, Bronze, Antique Bronze, Anodic Grey, Slate Grey, Ochre, Sand, Taupe (made up of 11125 + 11116)	9.94	94.67	901.61							A
11207	Smart Fix 80mm Bracket Slotted for Metropole Bracket Set in Chrome effect (made up of 11125 + 11116)	16.88	160.77	1531.10							A
11208	Smart Fix 100mm Bracket Slotted for Metropole Bracket Set in Black, Silver, White, Matt White, Ecu, Gunmetal, Charcoal, Bronze, Antique Bronze, Anodic Grey, Slate Grey, Ochre, Sand, Taupe (made up of 11126 + 11116)	11.15	106.21	1011.49							A
11208	Smart Fix 100mm Bracket Slotted for Metropole Bracket Set in Chrome effect (made up of 11126 + 11116)	19.85	189.07	1800.64							A
11209	Smart Fix Adjustable Metropole Bracket Set in Black, Silver, White, Matt White, Ecu, Gunmetal, Charcoal, Bronze, Antique Bronze, Anodic Grey, Slate Grey, Ochre, Sand, Taupe (made up of 11128 + 11116)	13.87	132.10	1258.08							A
11209	Smart Fix Adjustable Metropole Bracket Set in Chrome effect (made up of 11128 + 11116)	28.25	269.07	2562.53							A
11210	Square Smart Fix 60mm Bracket Set in White and Silver (made up of 11139 + 11137)	13.11	124.89	1189.42							A
11210	Square Smart Fix 60mm Bracket Set in Anodic Grey, Antique Bronze, Black, Charcoal, Matt White (made up of 11139 + 11137)	17.04	162.36	1546.25							A
11211	Square Smart Fix 80mm Bracket Set in White and Silver (made up of 11140 + 11137)	13.81	131.48	1252.16							A

Price Index for Rails & Parts

All prices shown
exclude V.A.T.

Product	Description	Unit Prices					Per Metre Price				Ctgy
		Each	Per 10	Per 100	Other Qty	Price	1m	100m	Other Lgth	Price	
11211	Square Smart Fix 80mm Bracket Set in Anodic Grey, Antique Bronze, Black, Charcoal, Matt White (made up of 11144 + 11137)	17.94	170.91	1627.80							A
11212	Square Smart Fix 100mm Bracket Set in White and Silver (made up of 11141 + 11137)	14.50	138.06	1314.90							A
11212	Square Smart Fix 100mm Bracket Set in Anodic Grey, Antique Bronze, Black, Charcoal, Matt White (made up of 11141 + 11137)	18.85	179.48	1709.37							A
11213	Square Smart Fix 120mm Bracket Set in White and Silver (made up of 11142 + 11137)	15.32	145.89	1389.40							A
11213	Square Smart Fix 120mm Bracket Set in Anodic Grey, Antique Bronze, Black, Charcoal, Matt White (made up of 11142 + 11137)	19.91	189.66	1806.23							A
11214	Square Smart Fix 150mm Bracket Set in White and Silver (made up of 11143 + 11137)	16.43	156.45	1490.05							A
11214	Square Smart Fix 150mm Bracket Set in Anodic Grey, Antique Bronze, Black, Charcoal, Matt White (made up of 11143 + 11137)	21.36	203.39	1937.05							A
11215	Square Smart Fix 200mm Bracket Set in White and Silver (made up of 11144 + 11137)	17.80	169.49	1614.22							A
11215	Square Smart Fix 200mm Bracket Set in Anodic Grey, Antique Bronze, Black, Charcoal, Matt White (made up of 11144 + 11137)	23.14	220.34	2098.48							A
11216	Square Smart Fix 60mm Bracket Slotted for Metropole Bracket Set in Silver and White (made up of 11145 + 11137)	14.58	138.89	1322.74							A
11216	Square Smart Fix 60mm Bracket Slotted for Metropole Bracket Set in Black, Matt White, Ecu, Gunmetal, Charcoal, Bronze, Antique Bronze, Anodic Grey, Slate Grey, Ochre, Sand, Taupe (made up of 11145 + 11137)	16.34	155.63	1482.20							A
11216	Square Smart Fix 60mm Bracket Slotted for Metropole Bracket Set in Chrome effect (made up of 11145 + 11137)	27.24	259.39	2470.34							A
11217	Square Smart Fix 80mm Bracket Slotted for Metropole Bracket Set in Silver and White (made up of 11146 + 11137)	15.16	144.38	1375.02							A
11217	Square Smart Fix 80mm Bracket Slotted for Metropole Bracket Set in Black, Matt White, Ecu, Gunmetal, Charcoal, Bronze, Antique Bronze, Anodic Grey, Slate Grey, Ochre, Sand, Taupe (made up of 11146 + 11137)	16.92	161.12	1534.49							A
11217	Square Smart Fix 80mm Bracket Slotted for Metropole Bracket Set in Chrome effect (made up of 11146 + 11137)	27.75	264.33	2517.39							A
11218	Square Smart Fix 100mm Bracket Slotted for Metropole Bracket Set in Silver and White (made up of 11147 + 11137)	15.97	152.06	1448.22							A
11218	Square Smart Fix 100mm Bracket Slotted for Metropole Bracket Set in Black, Matt White, Ecu, Gunmetal, Charcoal, Bronze, Antique Bronze, Anodic Grey, Slate Grey, Ochre, Sand, Taupe (made up of 11147 + 11137)	17.72	168.81	1607.68							A
11218	Square Smart Fix 100mm Bracket Slotted for Metropole Bracket Set in Chrome effect (made up of 11147 + 11137)	28.27	269.27	2564.45							A
11230	Recess profile white, black for 6870 and 3870, in 6 meter lengths						21.62				A
11230	Recess profile white, black for 6870 and 3870, cut to size						23.79				A
11231	Recess profile, white, black for 6465, in 6 meter lengths						15.58				A
11231	Recess profile, white, black for 6465, cut to size						17.14				A
11233	Endcover with screw, white, black silver for 6870	7.93	75.56	719.52							A
11233	Endcover with screw, matt white, anodic grey, antique bronze and charcoal	9.40	89.54	852.76							A
11235	Endcover with screw white, black or silver for 6970	10.68	101.80	969.51							A
11236	Clip			321.23							A
11237	Recess Wedge, white, black	0.74									A
11238	Recess Mask, white, black for 3870 and 6870	3.86									A
11239	Recess Mask, white, black	1.97									A
11260	Gateway	939.05									C
11261	Gateway KNX	1129.40									C
11262	Expansion unit	913.67									C
11263	Power supply 24V DC 2 ampere DIN rail	87.42									C
11264	Power supply 24V DC 3.8 ampere DIN rail	106.74									C
11265	Power supply 24V DC 5 ampere DIN rail	112.98									C
11266	Power supply 24V DC 10 ampere DIN rail	208.37									C
11270	RS 485 module set white	247.45									C
11281	Cabinet up to 8 shading device unit including circuit breaker protection	2833.38									C
11282	Cabinet up to 24 shading device unit including circuit breaker protection	3653.82									C
11283	Cabinet up to 56 shading device unit including circuit breaker protection	6926.04									C
11285	Guide set white, black and silver for 3870	34.78	331.21								A
11285	Guide set matt white, anodic grey, antique bronze and charcoal	46.46	442.50								A
11289	Cable with plug	42.98									C
11295	Endstop, silver	0.88	8.36								A
11295	Endstop, white	1.12	10.68								A
11295	Endstop, black	1.27	12.08								A
11301	2C glider in strip form, white, black				1000	322.83					A
11302	Wave 2C glider-cord, 80mm pitch, white, black 50mm rolls only							50m		816.95	A
11303	Wave 2C glider-cord, 60mm pitch, white, black 50mm rolls only							50m		1073.09	A
11314	Master carrier for 3970	14.50	138.19								C
11315	Guide set white for 3970	60.87									C
11318	4-Pin connector for 5600 SMART module	11.80									C
11319	4-Pin connector for 5600 SMART motor (Room / control side)	11.80									C
11320	4-Pin connector for 5600 SMART motor (Motor side)	17.70									C
11325	6 - Pin connector for Gateway and Expansion unit	15.60									C
11326	Antenna Cable 40-Series	2.80									C
11327	Dry Contact Cable 40-Series / 50 Series	5.51									C
11335	Endstop, silver	1.24		111.66							A
11335	Endstop, black	1.47		134.29							A
11335	Endstop, white	1.34		121.97							A
11411	Radio module set, white, grey (compatible with 0450)	215.52									C

Price Index for Rails & Parts

All prices shown
exclude V.A.T.

Product	Description	Unit Prices					Per Metre Price				Ctgy
		Each	Per 10	Per 100	Other Qty	Price	1m	100m	Other Lgth	Price	
11411	Radio module set, black (compatible with 0450)	258.62									C
11412	Power supply 24V DC	75.88									C
11425	Power supply set 24v DC UL, 4.0A for 2950	161.95									C
11429	Timer White	155.63									A
11465	Spring Stop for SG 6970	2.64									C
11472	Square Smart Fix Adjustable Metropole Bracket Set in White or Silver (made up of 11483 + 11137)	15.80	150.54	1433.55							A
11472	Square Smart Fix Adjustable Metropole Bracket Set in Black, Matt White, Ecrú, Gunmetal, Charcoal, Bronze, Antique Bronze, Anodic Grey, Slate Grey, Ochre, Sand, Taupe (made up of 11483 + 11137)	17.56	167.28	1593.01							A
11472	Square Smart Fix Adjustable Metropole Bracket Set in Chrome effect (made up of 11483 + 11137)	35.10	334.54	3186.02							A
11480	1 Channel Wall Switch	144.07									C
11483	Square Smart Fix Adjustable Extension Bracket slotted for Metropole in Silver, Black, White, Matt White, Ecrú, Gunmetal, Charcoal, Bronze, Antique Bronze, Anodic Grey, Slate Grey, Ochre, Sand, Taupe (Set equivalent 11472)	9.29	88.50	842.76							A
11483	Square Smart Fix Adjustable Extension Bracket slotted for Metropole in Chrome effect (Set equivalent 11472)	22.04	210.21	2001.83							A
11490	5 Channel Wall Switch	264.27									C
11601	Flush Endcap, 36mm, Silver, Black, White, Matt White, Gunmetal, Chrome effect, Antique bronze, Slate Grey, Charcoal, Anodic Grey, Bronze	10.35	101.54								A
11602	Flush Endcap, 23mm, Silver, Black, Charcoal, Ecrú, White, Matt White Gunmetal, Chrome effect	11.96	116.88								A
11603	Flush Endcap, 30mm, Silver, Black, Gunmetal, White, Matt White, Charcoal, Ecrú, Bronze, Antique Bronze, Anodic Grey, Slate Grey, Ochre, Sand, Taupe, Chrome effect	10.21	96.81								A
11605	Flush Endcap, 50mm, Silver, White, Matt White, Ecrú, Black	31.79	311.54								A
11605	Flush Endcap, 50mm, Antique Bronze, Anodic Grey, Slate Grey, Taupe, Bronze	32.57	319.16								A
11606	Rail, 23mm, Silver, Black, White, Matt White, Ecrú in 6 metre lengths only						25.55				A
11606	Rail, 23mm, Gunmetal, Charcoal in 6 metre lengths only Chrome effect (Chrome effect 4 metre lengths only)						34.95				A
11607	Corded profile, 50mm, Black, Ecrú, White, Matt White						89.94				A
11607	Corded profile, 50mm, Antique Bronze, Bronze, Anodic Grey, Slate Grey, Taupe, Bronze						104.25				A
11609	Profile, 50mm, for 7620 Black, Ecrú, Silver, White, Matt White						56.90				A
11609	Profile, 50mm, for 7620 Antique Bronze, Anodic Grey, Slate Grey, Taupe						77.12				A
11611	Stud endcap for 36mm, Antique Bronze, Anodic Grey, Black, Gunmetal, Charcoal, Silver, Slate Grey, White, Matt White, Chrome effect, Bronze (Avaliable from 1st April 2022)	10.35	98.41	932.22							A
11621	Stud endcap for 23mm, Ecrú, Black, Gunmetal, Charcoal, Silver, White, Matt White, Chrome effect	11.96	116.88	1087.24							A
11622	Design End cap for 23mm, White, Black, Matt White, Ecrú, Gunmetal and Charcoal	16.35	155.73								A
11623	Groove cylinder finial only for 23mm, White, Black, Matt White, Ecrú, Gunmetal and Charcoal - set equivalent 11723	27.19	258.88								A
11624	Glass Ball finial only clear for 23mm - set equivalent 11724	61.42	532.09								A
11626	Ball end finial only for 23mm, White, Black, Matt White, Ecrú, Gunmetal and Charcoal - set equivalent 11726	44.67	425.39								A
11627	Spear finial only 23mm, White, Black, Matt White, Ecrú, Gunmetal and Charcoal - set equivalent 11727	29.10	277.08								A
11628	Ellipse finial only 23mm, White, Black, Matt White, Ecrú, Gunmetal and Charcoal - set equivalent 11728	18.91	180.00								A
11629	Taper finial only 23mm, White, Black, Matt White, Ecrú, Gunmetal and Charcoal - set equivalent 11729	12.33	117.30								A
11631	Stud endcap for 30mm, Antique Bronze, Anodic Grey, Black, Bronze, Charcoal, Ecrú, Gunmetal, Slate Grey, Silver, Sand, Ochre, Taupe, White, Matt White, Chrome effect	10.20	96.81	919.72							A
11632	Design end cap for 30mm, Antique Bronze, Anodic Grey, Black, Bronze, Charcoal, Ecrú, Gunmetal, Slate Grey, Sand, Ochre, Taupe, White and Matt White	22.55									A
11633	Groove cylinder finial only for 30mm - set equivalent 11733 Cord, 11743 Hand	33.49	318.88								A
11634	Glass Ball finial only for 30mm, clear - equivalent set 11734 Cord, 11744 Hand	65.00	562.90								A
11636	Ball end finial only 30mm, Black, Gunmetal, White, Matt White, Charcoal, Ecrú, Bronze, Antique Bronze, Anodic Grey, Slate Grey, Ochre, Sand and Taupe 30mm poles - set equivalent 11736 Cord, 11746 Hand	48.36	460.51								A
11637	Spear finial only 30mm, Antique Bronze, Anodic Grey, Black, Bronze, Charcoal, Ecrú, Gunmetal, Slate Grey, Sand, Ochre, Taupe, White, Matt White - set equivalent 11737 Cord, 11747 Hand	47.10									A
11638	Ellipse finial only, 30mm, Black, White, Matt White, Ecrú, Ochre, Gunmetal, Bronze, Antique Bronze, Sand, Taupe, Anodic Grey, Charcoal and Slate Grey - set equivalent 11738 Cord, 11748 Hand	27.40	260.90								A
11639	Taper finial only, 30mm, Black, White, Matt White, Ecrú, Ochre, Gunmetal, Bronze, Antique Bronze, Sand, Taupe, Anodic Grey, Charcoal and Slate Grey - set equivalent 11739 Cord, 11749 Hand	14.02	133.48								A
11651	Stud endcap for 50mm, Black, Ecrú, Silver, White, Matt White	31.79									A
11651	Stud endcap for 50mm, Antique Bronze, Anodic Grey, Slate Grey, Taupe, Bronze	32.57									A
11652	Design end cap for 50mm, (Hand, Cord, Electric) Antique Bronze, Anodic Grey, Black, Bronze, Ecrú, Silver, Slate Grey, Taupe, White and Matt White	32.00	304.72								A
11653	Groove cylinder finial only for 50mm - set equivalent 11753 for Cord, 11773 for Hand, or 11763 for Electric	72.98	695.06								A
11654	Glass Ball finial only, 50mm, Clear - set equivalent 11754 for Cord, 11774 for Hand or 11764 for Electric	123.27	1067.78								A

Price Index for Rails & Parts

All prices shown
exclude V.A.T.

Product	Description	Unit Prices					Per Metre Price				Ctgy
		Each	Per 10	Per 100	Other Qty	Price	1m	100m	Other Lgth	Price	
11656	Ball end finial only for 50mm, Antique Bronze, Anodic Grey, Black, Ecu, Slate Grey, Taupe, White and Matt White - set equivalent 11756 for Cord, 11776 for Hand or 11766 for Electric	95.94	913.87								A
11657	Spear finial only for 50mm, Antique Bronze, Anodic Grey, Black, Ecu, Slate Grey, Taupe, White and Matt White - set equivalent 11757 for Cord, 11777 for Hand or 11767 for Electric	142.92	1361.13								A
11658	Ellipse finial only for 50mm, Black, White, Matt White, Ecu, Taupe, Antique Bronze, Anodic Grey and Slate Grey - set equivalent 11758 for Cord, 11778 for Hand or 11768 for Electric	114.74	1092.81								A
11659	Taper finial only for 50mm, Black, White, Matt White, Ecu, Taupe, Antique Bronze, Anodic Grey and Slate Grey - set equivalent 11759 for Cord, 11779 for Hand or 11769 for Electric	75.31	717.31								A
11661	Cording Set without endcap for 30mm, Black, Gunmetal, White, Matt White, Charcoal, Ecu, Bronze, Antique Bronze, Anodic Grey, Slate Grey, Ochre, Sand, Taupe and Chrome effect	59.37	556.51								A
11662	Cording Set without endcap for 50mm, Black, White, Matt White, Ecu, Antique Bronze, Anodic Grey, Slate Grey, Taupe, Bronze	70.71	671.77								A
11663	Intermediate Pulley for 30mm, Antique Bronze, Anodic Grey, Black, Bronze, Charcoal, Ecu, Gunmetal, Slate Grey, Sand, Ochre, Taupe, White, Matt White, Chrome effect	80.92	809.17								A
11664	Intermediate pulley set for 50mm, White, Black, Ecu, Matt White	83.00									A
11664	Intermediate pulley set for 50mm, Taupe, Antique Bronze, Anodic Grey, Slate Grey, Bronze	91.90									A
11665	Finial connector for 23mm	2.69	25.62								A
11666	Finial connector for 30mm Cord	3.03	28.99								A
11667	Finial connector for 50mm Cord	5.66	53.93								A
11668	Top Fix Bracket, Silver, Black, Gunmetal, White, Matt White, Charcoal, Ecu, Bronze, Antique Bronze, Anodic Grey, Slate Grey, Ochre, Sand, Taupe	22.02	188.77								A
11669	Fillet Bracket, White, Silver Black, Antique Bronze, Anodic Grey, Bronze, Charcoal, Ecu, Gunmetal, Matt White, Ochre, Slate Grey, Sand, Taupe, Chrome effect	48.97	466.40								A
11700	Finial connector for 30mm Hand	3.03	28.99								A
11701	Finial Connector for 50mm Electric	5.66	53.93								A
11716	Wave single stack return pulley 30mm	23.63	225.04								A
11723	Groove cylinder finial set for 23mm, White, Black, Matt White, Ecu, Gunmetal and Charcoal - made up of 11623 + 11665	29.88	284.50								A
11724	Glass Ball finial set 23mm, clear - made up of 11624 + 11665	64.10	557.71								A
11726	Ball end finial set 23mm, White, Black, Matt White, Ecu, Gunmetal and Charcoal - made up of 11626 and 11665	47.36	451.01								A
11727	Spear finial set 23mm, White, Black, Matt White, Ecu, Gunmetal and Charcoal - made up of 11627 + 11665	31.79	302.70								A
11728	Ellipse finial set 23mm, White, Black, Matt White, Ecu, Gunmetal and Charcoal - made up of 11628 + 11665	21.60	205.62								A
11729	Taper finial set 23mm, White, Black, Matt White, Ecu, Gunmetal and Charcoal - made up of 11629 + 11665	15.01	142.92								A
11733	Groove Cylinder finial set for 30mm Cord, made up of 11633 + 11666	36.53	347.87								A
11734	Glass Ball finial clear set for 30mm Cord - made up of 11634 + 11666	68.03	591.89								A
11736	Ball End finial set, 30mm Cord Black, Gunmetal, White, Matt White, Charcoal, Ecu, Bronze, Antique Bronze, Anodic Grey, Slate Grey, Ochre, Sand and Taupe - made up of 11636 + 11666 (30mm Cord)	51.39	489.49								A
11737	Spear finial set, 30mm Cord, Antique Bronze, Anodic Grey, Black, Bronze, Charcoal, Ecu, Gunmetal, Slate Grey, Sand, Ochre, Taupe, White, Matt White, Chrome effect - made up of 11637 + 11666	50.13									A
11738	Ellipse finial set for 30mm Cord, Black, White, Matt White, Ecu, Ochre, Gunmetal, Bronze, Antique Bronze, Sand, Taupe, Anodic Grey, Charcoal and Slate Grey - made up of 11638 + 11666	30.44	289.89								A
11739	Taper finial set for 30mm Cord, Black, White, Matt White, Ecu, Ochre, Gunmetal, Bronze, Antique Bronze, Sand, Taupe, Anodic Grey, Charcoal and Slate Grey - made up of 11639 + 11666	17.06	162.47								A
11743	Groove Cylinder finial set for 30mm Hand, made up of 11633 + 11700	36.53	347.87								A
11744	Glass Ball finial clear set for 30mm Hand - made up of 11634 + 11700	68.03	591.89								A
11746	Ball End finial set, 30mm Hand, Black, Gunmetal, White, Matt White, Charcoal, Ecu, Bronze, Antique Bronze, Anodic Grey, Slate Grey, Ochre, Sand and Taupe - made up of 11636 + 11700 (30mm Hand)	51.39	489.49								A
11747	Spear finial set, 30mm Hand, Antique Bronze, Anodic Grey, Black, Bronze, Charcoal, Ecu, Gunmetal, Slate Grey, Sand, Ochre, Taupe, White and Matt White - made up of 11637 + 11700	50.13									A
11748	Ellipse finial set for 30mm Hand, Black, White, Matt White, Ecu, Ochre, Gunmetal, Bronze, Antique Bronze, Sand, Taupe, Anodic Grey, Charcoal and Slate Grey - made up of 11638 + 11700	30.44	289.89								A
11749	Taper finial set for 30mm Hand, Black, White, Matt White, Ecu, Ochre, Gunmetal, Bronze, Antique Bronze, Sand, Taupe, Anodic Grey, Charcoal and Slate Grey - made up of 11639 + 11700	17.06	162.47								A
11753	Groove cylinder finial set for 50mm Cord - made up of 11653 + 11667	78.64	748.99								A
11754	Glass Ball finial set Clear for 50mm Cord - made up of 11654 + 11667	128.93	1121.71								A
11756	Ball end finial set for 50mm Cord, Antique Bronze, Anodic Grey, Black, Ecu, Slate Grey, Taupe, White, Matt White - made up of 11656 + 11667	101.61	967.81								A
11757	Spear finial set for 50mm Cord, Antique Bronze, Anodic Grey, Black, Ecu, Slate Grey, Taupe, White and Matt White - made up of 11657 + 11667	148.58	1415.06								A
11758	Ellipse finial set for 50mm Cord, Black, White, Matt White, Ecu, Taupe, Antique Bronze, Anodic Grey and Slate Grey - made up of 11658 + 11667	120.40	1146.75								A

Price Index for Rails & Parts

All prices shown
exclude V.A.T.

Product	Description	Unit Prices					Per Metre Price				Ctgy
		Each	Per 10	Per 100	Other Qty	Price	1m	100m	Other Lgth	Price	
11759	Taper finial set for 50mm Cord, Black, White, Matt White, Ecu, Taupe, Antique Bronze, Anodic Grey and Slate Grey - made up of 11659 + 11667	80.98	771.24								A
11763	Groove cylinder finial set for 50mm Electric - made up of 11653 + 11701	78.64	749.09								A
11764	Glass Ball finial set, 50mm (Electric), clear - made up of 11654 + 11701	128.93	1121.71								A
11766	Ball End finial set, 50mm (Electric) Antique Bronze, Bronze, Anodic Grey, Black, Ecu, Slate Grey, Taupe, White and Matt White - made up of 11656 + 11701	101.61	967.81								A
11767	Spear finial set, 50mm (Electric) Antique Bronze, Bronze, Anodic Grey, Black, Ecu, Slate Grey, Taupe, White and Matt White - made up of 11657 + 11701	148.58	1415.06								A
11768	Ellipse finial set, 50mm (Electric) Ecu, White, Black, Matt White, Anodic Grey, Slate Grey, Antique Bronze, Bronze and Taupe - made up of 11658 + 11701	120.40	1146.75								A
11769	Taper finial set, 50mm (Electric) Ecu, White, Black, Matt White, Anodic Grey, Slate Grey, Antique Bronze, Bronze and Taupe - made up of 11659 + 11701	80.98	771.24								A
11773	Groove cylinder finial set for 50mm Hand - made up of 11653 + 11782	78.64	748.99								A
11774	Glass Ball Finial Clear set for 50mm Hand - made up of 11654 + 11782	128.93	1121.71								A
11776	Ball end finial set for 50mm Hand, Antique Bronze, Anodic Grey, Black, Ecu, Slate Grey, Taupe, White and Matt White - made up of 11656 + 11782	101.61	967.81								A
11777	Spear finial set for 50mm Hand, Antique Bronze, Anodic Grey, Black, Ecu, Slate Grey, Taupe, White, Matt White - made up of 11657 + 11782	148.58	1415.06								A
11778	Ellipse finial set for 50mm Hand, Black, White, Matt White, Ecu, Taupe, Antique Bronze, Anodic Grey and Slate Grey - made up of 11658 + 11782	120.40	1146.75								A
11779	Taper finial set for 50mm Hand, Black, White, Matt White, Ecu, Taupe, Antique Bronze, Anodic Grey and Slate Grey - made up of 11659 + 11782	80.98	771.24								A
11782	Finial connector for 50mm Hand	5.66	53.93								A
11783	Connecting Bridge for 50mm Hand, Antique Bronze, Bronze, Anodic Grey, Black, Ecu, Silver, Slate Grey, Taupe, White, Matt White	34.58									A
20334	Maxi Adjustable Bracket, Silver, Black, Gunmetal, White, Matt White, Charcoal, E-cru, Bronze, Antique Bronze, Anodic Grey, Slate Grey, Ochre, Sand, Taupe	39.18	373.10								A
20336	Eight channel hand held remote	228.42									C
20907	Control module (low voltage motor Type A)	403.41									C
20913	Single-channel wall switch, antique brass, black nickle, chocolate bronze, matt black, matt white, polished brass, brushed silver, mirror finish	309.41									C
20914	Eight-channel wall switch, antique brass, black nickle, chocolate bronze, matt black, matt white, polished brass, brushed silver, mirror finish	309.41									C
20917	White pattrress box	26.13									C
20918	Control Module (Motor Type A)	373.68									C
20919	Control Module (Motor Type B)	373.68									C

Application Chart for Silent Gliss® Switches, Remote Control and Multiple Operation of Motorised Systems

	Radio Control Systems 0450			Radio Control Systems 9940			*SMART	System
	Fixed Switch (Hard Wired)	Hand Held Remotes/Receiver	Wall Switched	Move Server Unit	Hand Held Remote/Receiver	Wall Switches & Light Sensors	Via Gateway	
	Motor 2160 0615/6/7/8/9 Latching	Remote 20336 Receiver 20919	Wall Switch 20913/ 20914 Receiver 20919	✓	Remote 10300/10302/ 10303/10804 Receiver 9068/9945	Wall Switch 11480 Receiver 9068/9945	n/a	2195
	Motor 10522/10322 0615/6/7/8/9 Latching	Motor 10322/10522 Remote 20336 Receiver 20919	Motor 10322/10522 Wall Switch 20913/ 20914 Receiver 20919	✓	Motor 11241/11244 Remote 10300/10302/ 10303/10804 Receiver Integrated	Motor 11241/11244 Wall Switch 11480/11490 Receiver Integrated	11251	2350
	Motor 9090 0613 5 Position	Motor 9091 Remote 20336 Receiver Intergrated	Motor 9091 Wall Switch 20913/ 20914 Receiver Intergrated	✓	Motor 9091EL Remote 10300/10302/ 10303/10804 Receiver Integrated	Motor 9091EL Wall Switch 11480/11490 Receiver Integrated	n/a	2950
	Motor 10522 0615/6/7/8/9 Latching	Motor 10522 Remote 20336 Receiver 20919	Motor 10522 Wall Switch 20913/ 20914 Receiver 20919	✓	Motor 11241/11244 Remote 10300/10302/ 10303/10804 Receiver Integrated	Motor 11241/11244 Wall Switch 11480/11490 Receiver Integrated	11251	4760
	Motor 10522 0615/6/7/8/9 Latching	Motor 10522 Remote 20336 Receiver 20919	Motor 10522 Wall Switch 20913/ 20914 Receiver 20919	✓	Motor 11241/11244 Remote 10300/10302/ 10303/10804 Receiver Integrated	Motor 11241/11244 Wall Switch 11480/11490 Receiver Integrated	11251	4770
	Motor 10522 0615/6/7/8/9 Latching	Motor 10522 Remote 20336 Receiver 20919	Motor 10522 Wall Switch 20913/ 20914 Receiver 20919	✓	Motor 11241/11244 Remote 10300/10302/ 10303/10804 Receiver Integrated	Motor 11241/11244 Wall Switch 11480/11490 Receiver Integrated	11251	4780
	10692 (0631)	n/a	n/a	n/a	n/a	n/a	n/a	4960
	Motor 10320 0615/6/7/8/9 Latching	Motor 10320 Remote 20336 Receiver 20919	Motor 10320 Wall Switch 20913/ 20914 Receiver 20919	✓	Motor 11240/11243 Remote 10300/10302/ 10303/10804 Receiver Integrated	Motor 11240/11243 Wall Switch 11480/11490 Receiver Integrated	11250	4960
	Motor 10522 0615/6/7/8/9 Latching	Motor 10522 Remote 20336 Receiver 20919	Motor 10522 Wall Switch 20913/ 20914 Receiver 20919	✓	Motor 11241/11244 Remote 10300/10302/ 10303/10804 Receiver Integrated	Motor 11241/11244 Wall Switch 11480/11490 Receiver Integrated	11251	4970
	Motor 10326 0615/6/7/8/9 Latching	Motor 10326 Remote 20336 Receiver 20919	Motor 10326 Wall Switch 20913/ 20914 Receiver 20919	✓	Motor 11248/11249 Remote 10300/10302/ 10303/10804 Receiver Integrated	Motor 11248/11249 Wall Switch 11480/11490 Receiver Integrated	11255	4880
9060	Motor 9060 0615/6/7/8/9	Motor 9060 Remote 20336 Receiver Module 11411	Motor 9060 Remote 20336 Receiver Module 11411	✓	Motor 9060 Remote 10300/10302/ 10303/10804 Receiver Module 9063	Motor 9060 Wall Switch 11480/11490 Receiver Module 9063	11270	5600
5805	0615/6/7/8/9 Latching	n/a	n/a	✓	Remote 10300/10302/ 10303/10804 Receiver Module 9068	Wall Switch 11480 Receiver 9068	n/a	5800
8060	0928 5 Position	Motor 8060 Remote 20336 Receiver 20907 (Pulse Enabled)	Wall Switch 20913/20914 Receiver 20907 (Pulse Enabled)	✓	Remote 10300/10302/ 10303/10804 Receiver Module 9068/9947	Wall Switch 11480 Receiver 9068/9947	n/a	8250

*Refer to page 28 for SMART components

Application Chart for Silent Gliss® Switches, Remote Control and Multiple Operation of Motorised Systems

Motor Number	Fixed Switch (Hard Wired)	Radio Control Systems 0450		Radio Control Systems 9940			*SMART	System
		Hand Held Remotes	Wall Switched	Move Server Unit	Hand Held Remote	Wall Switches & Light Sensors	Via Gateway	
		Wall Switch 20913/ 20914 Receiver 20907	Wall Switch 20913/ 20914 Receiver 20907	✓	Remote 10300/10302/ 10303/10804 Receiver 9068/9947	Wall Switch 11480/11490 Receiver 9068/9947	n/a	8500
8605	0615/6/7/8/9 Latching	Wall Switch 20913/ 20914 Receiver 20919	Wall Switch 20913/ 20914 Receiver 20919	✓	Remote 10300/10302/ 10303/10804 Receiver 9068/9945	Wall Switch 11480/11490 Receiver 9068/9945	n/a	8600
	0615/6/7/8/9 Latching	Wall Switch 20913/ 20914 Receiver 20919	Wall Switch 20913/ 20914 Receiver 20919	✓	Remote 10300/10302/ 10303/10804 Receiver 9068/9945	Wall Switch 11480/11490 Receiver 9068	n/a	8640
11096	0613 5 Position	Wall Switch 20913/ 20914 Receiver Integrated	Wall Switch 20913/ 20914 Receiver Integrated	✓	Remote 10300/10302/ 10303/10804 Receiver Integrated	Wall Switch 11480/11490 Receiver Integrated	n/a	8960

Battery Operated Blinds Application Chart for Remote Control Switches and Wall Plates

Motor	Hand Wired Switch	Wall Plates	Hand Held Remote	Move Server Unit	9940	0450	SMART	Timer and Control	
11076	n/a	10949, 10950, 10951	10946, 10947, 10948	n/a	n/a	n/a	n/a	11429	4955
11076	n/a	10949, 10950, 10951	10946, 10947, 10948	n/a	n/a	n/a	n/a		2345
5190	n/a	10949	10946, 10947, 10948	n/a	n/a	n/a	n/a		5100B
5190	n/a	10949, 10950	10946, 10947, 10948	n/a	n/a	n/a	n/a		5100R
5190	n/a	10949, 10950	10946, 10947, 10948	n/a	n/a	n/a	n/a	11429	5100T
5190	n/a	10949, 10950, 10951	10946, 10947, 10948	n/a	n/a	n/a	n/a	11429	5100TC



For motor types and connections see wiring diagrams.

Terms & Conditions of Trading with Silent Gliss Ltd

The buyer's attention is in particular drawn to the provisions of condition 12.4.

1. INTERPRETATION

- 1.1 The definitions and rules of interpretation in this condition apply in these conditions.
Buyer: the person, firm or company who purchases the Goods and/or Services from the Company.
Company: Silent Gliss Ltd.
Contract: any contract between the Company and the Buyer for the sale and purchase of the Goods and/or provision of Services, incorporating these conditions.
Delivery Point: the place where delivery of the Goods is to take place under condition 4.
Goods: any goods agreed in the Contract to be supplied to the Buyer by the Company (including any part or parts of them).
Services: any installation services agreed in the Contract to be supplied to the Buyer by the Company.
- 1.2 A reference to a particular law is a reference to it as it is in force for the time being taking account of any amendment, extension, application or re-enactment and includes any subordinate legislation for the time being in force made under it.
- 1.3 Words in the singular include the plural and in the plural include the singular.
- 1.4 A reference to one gender includes a reference to the other gender.
- 1.5 Condition headings do not affect the interpretation of these conditions.

2. APPLICATION OF TERMS

- 2.1 Subject to any variation under condition 2.3 the Contract shall be on these conditions to the exclusion of all other terms and conditions (including any terms or conditions which the Buyer purports to apply under any purchase order, confirmation of order, specification or other document).
- 2.2 No terms or conditions endorsed on, delivered with or contained in the Buyer's purchase order, confirmation of order, specification or other document shall form part of the Contract simply as a result of such document being referred to in the Contract.
- 2.3 These conditions apply to all the Company's sales and any variation to these conditions and any representations about the Goods and/or Services shall have no effect unless expressly agreed in writing and signed by the Sales Director of the Company. The Buyer acknowledges that it has not relied on any statement, promise or representation made or given by or on behalf of the Company which is not set out in the Contract. Nothing in this condition shall exclude or limit the Company's liability for fraudulent misrepresentation.
- 2.4 Each order or acceptance of a quotation for Goods and/or Services from the Company shall be deemed to be an offer by the Buyer to buy Goods and/or Services subject to these conditions.
- 2.5 No order placed by the Buyer shall be deemed to be accepted by the Company until a written acknowledgement of order is issued by the Company or (if earlier) the Company delivers the Goods to and/or carries out the Services for the Buyer.
- 2.6 The Buyer shall ensure that the terms of its order and any applicable specification are complete and accurate.
- 2.7 Any quotation is given on the basis that no Contract shall come into existence until the Company despatches an acknowledgement of order to the Buyer. Any quotation is valid for a period of 60 days only from its date, provided that the Company has not previously withdrawn it.

3. DESCRIPTION

- 3.1 The quantity and description of the Goods and/or Services shall be as set out in the Company's quotation or acknowledgement of order.
- 3.2 All samples, drawings, descriptive matter, specifications and advertising issued by the Company and any descriptions or illustrations contained in the Company's catalogues or brochures are issued or published for the sole purpose of giving an approximate idea of the Goods described in them. They shall not form part of the Contract and this is not a sale by sample.

4. DELIVERY

- 4.1 Unless otherwise agreed in writing by the Company, delivery of the Goods shall take place at the time the Goods have been unloaded at the delivery address nominated by the Buyer.
- 4.2 The Buyer shall take delivery of the Goods within 30 days of the Company giving it notice that the Goods are ready for delivery.

- 4.3 Any dates specified by the Company for delivery of the Goods or commencement or duration for performance of the Services are intended to be an estimate and time for delivery and/or performance shall not be made of the essence by notice. If no dates are so specified, delivery and/or performance shall be within a reasonable time.

- 4.4 Subject to the other provisions of these conditions the Company shall not be liable for any direct, indirect or consequential loss (all three of which terms include, without limitation, pure economic loss, loss of profits, loss of business, depletion of goodwill and similar loss), costs, damages, charges or expenses caused directly or indirectly by any delay in the delivery of the Goods or performance of the Services (even if caused by the Company's negligence), nor shall any delay entitle the Buyer to terminate or rescind the Contract unless such delay exceeds 60 days.

- 4.5 If for any reason the Buyer fails to accept delivery of any of the Goods when they are ready for delivery, or the Company is unable to deliver the Goods on time because the Buyer has not provided appropriate instructions, documents, licences or authorisations:

- risk in the Goods shall pass to the Buyer (including for loss or damage caused by the Company's negligence);
- the Goods shall be deemed to have been delivered; and
- the Company may store the Goods until delivery, whereupon the Buyer shall be liable for all related costs and expenses (including, without limitation, storage and insurance).

- 4.6 If the Company delivers to the Buyer a quantity of Goods of up to 5% more or less than the quantity accepted by the Company, the Buyer shall not be entitled to object to or reject the Goods or any of them by reason of the surplus or shortfall and shall pay for such goods at the pro rata Contract rate.

- 4.7 The Company may deliver the Goods by separate instalments. Each separate instalment shall be invoiced and paid for in accordance with the provisions of the Contract.

- 4.8 Each instalment shall be a separate Contract and no cancellation or termination of any one Contract relating to an instalment shall entitle the Buyer to repudiate or cancel any other Contract or instalment.

5. CANCELLATIONS AND RETURNS

The Buyer shall not be entitled to cancel any Contract or return Goods for refund without the prior written consent of the Company (which will be the absolute discretion of the Company) and payment of a handling charge of 20% of the Price in respect of ex stock items and in the case of made-to-measure items a percentage of the Price dependent upon the stage of manufacture reached at the point of cancellation.

6. NON-DELIVERY

- 6.1 The quantity of any consignment of Goods as recorded by the Company upon despatch from the Company's place of business shall be conclusive evidence of the quantity received by the Buyer on delivery unless the Buyer can provide conclusive evidence proving the contrary.
- 6.2 The Company shall not be liable for any non-delivery of Goods (even if caused by the Company's negligence) unless the Buyer gives written notice to the Company of the non-delivery within 7 days of the date when the Goods would in the ordinary course of events have been received.
- 6.3 Any liability of the Company for non-delivery of the Goods shall be limited to replacing the Goods within a reasonable time or issuing a credit note at the pro rata Contract rate against any invoice raised for such Goods.

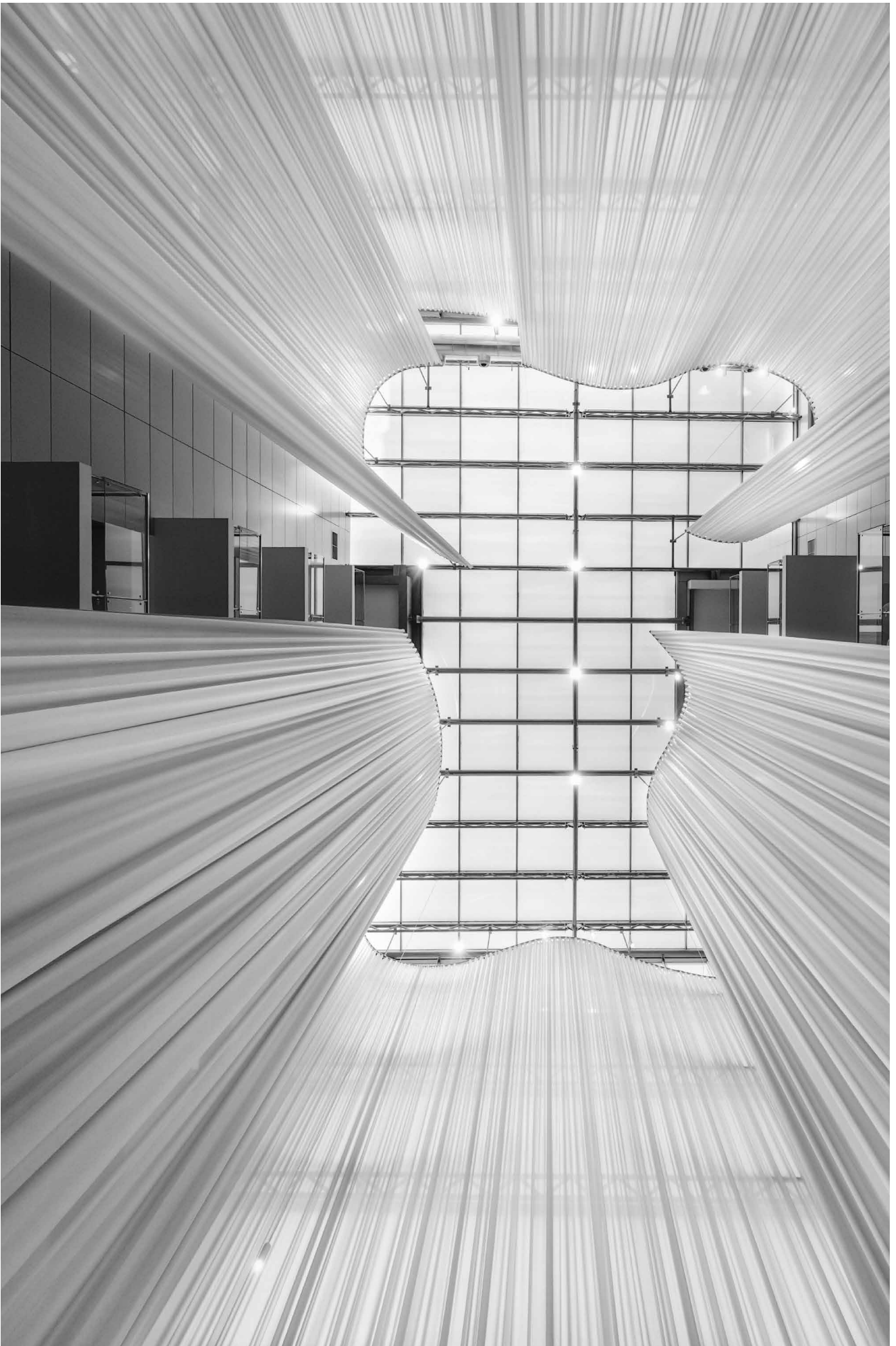
7. INSTALLATION

- 7.1 All costs in relation to Installation by the Company shall be payable by the Buyer in addition to the price of the Goods. The following standard charges apply (duration of each installation is dependent on the type of work being carried out):
- £420 + VAT per day (per engineer)
 - £295 + VAT per 1/2 day (per engineer)
 - £295 + VAT Service Callout (parts not included)
- 7.2 The Buyer shall be solely responsible for ensuring that its site and adequate and safe access thereto is ready for installation of the Goods. Fixing points must be adequate for the proper and secure installation of the Goods. The Buyer must pay for the cost of any modification to its site or the Goods that is required to enable the Goods to be properly installed.

- 7.3 The Buyer shall be solely responsible for all ancillary work required and costs incurred in connection with installation of Goods, including (without limitation) access, scaffolding hire, electrical work, decorating, or making good.
- 7.4 The Buyer shall advise the Company of any hidden obstruction (including without limitation, electricity, telephone and other communications cables and water, gas and drainage pipes) that may be encountered during installation of the Goods. The Company will not be liable for any damage to any structure, surface or service. The Buyer will pay all costs incurred by the Company in consequence of any damage to any hidden obstruction and will indemnify the Company against all liability, loss, cost and expense that it incurs arising out of or in consequence of installation of the Goods or damage to any structure, surface or service.
- 7.5 At all times, suppliers must comply with the Regulations. The Regulations provide that the Suppliers performing the installation services must fit any safety device supplied with the Goods.
- In the event that the Customer should refuse to allow the Supplier to fit any such safety device accompanying the Goods, then the Supplier will be at liberty to refuse to carry out the Services. In such instance, the Customer will still be liable to pay the Supplier the Price in full under the Contract.
 - The Customer shall not be entitled to treat the Suppliers refusal to carry out any Services in relation to the Goods for the reasons set out in this clause 7.4 as a fundamental or any breach of contract. The Customer will still be bound under the Contract to take delivery of the Goods.
- 7.6 The parties to the contract consider the provisions of this clause 7.4 to be reasonable under all the circumstances given the Supplier's obligations under the Regulations.
- 8. RISK/TITLE**
- 8.1 The Goods are at the risk of the Buyer from the time of delivery.
- 8.2 Ownership of the Goods shall not pass to the Buyer until the Company has received in full (in cash or cleared funds) all sums due to it in respect of:
- the Goods; and
 - all other sums which are or which become due to the Company from the Buyer on any account.
- 8.3 Until ownership of the Goods has passed to the Buyer, the Buyer shall:
- hold the Goods on a fiduciary basis as the Company's bailee;
 - store the Goods (at no cost to the Company) separately from all other goods of the Buyer or any third party in such a way that they remain readily identifiable as the Company's property;
 - not destroy, deface or obscure any identifying mark or packaging on or relating to the Goods; and
 - maintain the Goods in satisfactory condition and keep them insured on the Company's behalf for their full price against all risks to the reasonable satisfaction of the Company. On request the Buyer shall produce the policy of insurance to the Company.
- 8.4 The Buyer may resell the Goods before ownership has passed to it solely on the following conditions:
- any sale shall be effected in the ordinary course of the Buyer's business at full market value; and
 - any such sale shall be a sale of the Company's property on the Buyer's own behalf and the Buyer shall deal as principal when making such a sale.
- 8.5 The Buyer's right to possession of the Goods shall terminate immediately if:
- the Buyer has a bankruptcy order made against him or makes an arrangement or composition with his creditors, or otherwise takes the benefit of any statutory provision for the time being in force for the relief of insolvent debtors, or (being a body corporate) convenes a meeting of creditors (whether formal or informal), or enters into liquidation (whether voluntary or compulsory) except a solvent voluntary liquidation for the purpose only of reconstruction or amalgamation, or has a receiver and/or manager, administrator or administrative receiver appointed of its undertaking or any part thereof, or documents are filed with the court for the appointment of an administrator of the Buyer or notice of intention to appoint an administrator is given by the Buyer or its directors or by a qualifying floating charge holder (as defined in paragraph 14 of Schedule B1 to the Insolvency Act 1986), or a resolution is passed or a petition presented to any court for the winding-up of the Buyer or for the granting of an administration order in respect of the Buyer, or any proceedings are commenced relating to the insolvency or possible insolvency of the Buyer; or
 - the Buyer suffers or allows any execution, whether legal or equitable, to be levied on his/its property or obtained against him/it, or fails to observe or perform any of his/its obligations under the Contract or any other contract between the Company and the Buyer, or is unable to pay its debts within the meaning of section 123 of the Insolvency Act 1986 or the Buyer ceases to trade; or
 - the Buyer encumbers or in any way charges any of the Goods.
- 8.6 The Company shall be entitled to recover payment for the Goods notwithstanding that ownership of any of the Goods has not passed from the Company.
- 8.7 The Buyer grants the Company, its agents and employees an irrevocable licence at any time to enter any premises where the Goods are or may be stored in order to inspect them, or, where the Buyer's right to possession has terminated, to recover them.
- 8.8 Where the Company is unable to determine whether any Goods are the goods in respect of which the Buyer's right to possession has terminated, the Buyer shall be deemed to have sold all goods of the kind sold by the Company to the Buyer in the order in which they were invoiced to the Buyer.
- 8.9 On termination of the Contract, howsoever caused, the Company's (but not the Buyer's) rights contained in this condition 8 shall remain in effect.
- 9. PRICE**
- 9.1 Unless otherwise agreed by the Company in writing, the price for the Goods and/or Services shall be the price set out in the Company's price list published on the date of delivery or deemed delivery.
- 9.2 The price for the Goods and/or Services shall be exclusive of any value added tax.
- 9.3 All costs or charges in relation to carriage and insurance during transit shall be payable by the Buyer in addition to the price of the Goods when it is due to pay for the Goods where the price of the Goods in any Contract is less than £350 before value-added tax, and in all other cases such costs or charges shall be borne by the Company.
- 9.4 For shipments outside UK mainland, i.e. Highlands, Channel Islands, the Company reserves the right to charge a delivery supplement.
- 10. PAYMENT**
- 10.1 Subject to condition 10.4, payment of the price for the Goods is due in pounds sterling on the last working day of the month following the month in which the Goods are delivered or deemed to be delivered and/or the services are performed.
- 10.2 Time for payment shall be of the essence.
- 10.3 No payment shall be deemed to have been received until the Company has received cleared funds.
- 10.4 All payments payable to the Company under the Contract shall become due immediately on its termination despite any other provision.
- 10.5 The Buyer shall make all payments due under the Contract in full without any deduction whether by way of set-off, counterclaim, discount, abatement or otherwise unless the Buyer has a valid court order requiring an amount equal to such deduction to be paid by the Company to the Buyer.
- 10.6 If the Buyer fails to pay the Company any sum due pursuant to the Contract, the Buyer shall be liable to pay interest to the Company on such sum from the due date for payment at the annual rate of 1.5% per month, accruing on a daily basis until payment is made, whether before or after any judgment.
- 11. QUALITY**
- 11.1 The Company warrants that (subject to the other provisions of these conditions):
- upon delivery, and for a period of five years from the date of delivery the Goods shall
 - be of satisfactory quality within the meaning of the Sale of Goods Act 1979;
 - be reasonably fit for purpose; and
 - the Services shall be performed with reasonable skill and care.
 - This warranty applies to hardware only. Fabric is subject to suppliers' guarantees.
- 11.2 The Company shall not be liable for a breach of any of the warranties in condition 11.1 unless:
- the Buyer gives written notice of the defect to the Company, and, if the defect is as a result of damage in transit to the carrier, within 7 days of the time when the Buyer discovers or ought to have discovered the defect;

- (b) where the contract is for supply only of Goods the Company is given a reasonable opportunity after receiving the notice of examining the Goods and the Buyer (if asked to do so by the Company) returns such Goods to the Company's place of business at the Company's cost for the examination to take place there; and
 - (c) where the Contract is for supply and installation of Goods the Company is given a reasonable opportunity after receiving notice of examining the Goods and their installation on site.
- 11.3 The Company shall not be liable for a breach of any of the warranties in condition 11.1 if:
- (a) the Buyer makes any further use of such Goods after giving such notice; or
 - (b) the defect arises because the Buyer failed to follow the Company's oral or written instructions as to the storage, installation, commissioning, use or maintenance of the Goods or (if there are none) good trade practice; or
 - (c) the Buyer alters or repairs such Goods without the written consent of the Company.
- 11.4 Subject to condition 11.2 and condition 11.3, if any of the Goods and/or Services do not conform with any of the warranties in condition 11.1 the Company shall
- (a) if the Contract is for supply only of Goods, at its option repair or replace such Goods (or the defective part) or refund the price of such Goods at the pro rata Contract rate provided that, if the Company so requests, the Buyer shall, at the Company's expense, return the Goods or the part of such Goods which is defective to the Company;
 - (b) if the Contract includes installation of Goods by the Company, the Services shall be reperformed by the Company on site until such Services are in conformity or at the Company's option it may pay for the Services to be performed again.
- 11.5 If the Company complies with condition 11.4 it shall have no further liability for a breach of any of the warranties in condition 11.1 in respect of such Goods and/or Services.
- 11.6 Any Goods replaced shall belong to the Company and any repaired or replacement Goods shall be guaranteed on these terms for the unexpired portion of the five year period.
- 11.7 The Buyer is responsible for ensuring the suitability of and absence from manufacturing flaws in any fabric supplied by the Buyer and for marking any such flaws. The Company is not responsible for the performance of any fabric supplied by the Buyer, including (without limitation) its adhesive capabilities when attaching bond cloth, shrinkage, matching of patterns and manufacture into roller blinds. The Buyer is responsible for all fabric and labour costs of remedying fabric flaws discovered by the Company in the course of manufacturing the Goods.
- 12. LIMITATION OF LIABILITY**
- 12.1 Subject to condition 4, condition 6 and condition 11, the following provisions set out the entire financial liability of the Company (including any liability for the acts or omissions of its employees, agents and sub-contractors) to the Buyer in respect of:
- (a) any breach of these conditions;
 - (b) any use made or resale by the Buyer of any of the Goods, or of any product incorporating any of the Goods; and
 - (c) any representation, statement or tortious act or omission including negligence arising under or in connection with the Contract.
- 12.2 All warranties, conditions and other terms implied by statute or common law (save for the conditions implied by section 12 of the Sale of Goods Act 1979) are, to the fullest extent permitted by law, excluded from the Contract.
- 12.3 Nothing in these conditions excludes or limits the liability of the Company:
- (a) for death or personal injury caused by the Company's negligence; or
 - (b) under section 2(3), Consumer Protection Act 1987; or
 - (c) for any matter which it would be illegal for the Company to exclude or attempt to exclude its liability; or
 - (d) for fraud or fraudulent misrepresentation.
- 12.4 Subject to condition 12.2 and condition 12.3:
- (a) the Company's total liability in contract, tort (including negligence or breach of statutory duty), misrepresentation, restitution or otherwise, arising in connection with the performance or contemplated performance of the Contract shall be limited to the Contract price; and

- (b) the Company shall not be liable to the Buyer for any pure economic loss, loss of profit, loss of business, depletion of goodwill or otherwise, in each case whether direct, indirect or consequential, or any claims for consequential compensation whatsoever (howsoever caused) which arise out of or in connection with the Contract.
- 13. ASSIGNMENT**
- 13.1 The Company may assign the Contract or any part of it to any person, firm or company.
- 13.2 The Buyer shall not be entitled to assign the Contract or any part of it without the prior written consent of the Company.
- 14. FORCE MAJEURE**
- The Company reserves the right to defer the date of delivery or to cancel the Contract or reduce the volume of the Goods ordered by the Buyer (without liability to the Buyer) if it is prevented from or delayed in the carrying on of its business due to circumstances beyond the reasonable control of the Company including, without limitation, acts of God, governmental actions, war or national emergency, acts of terrorism, protests, riot, civil commotion, fire, explosion, flood, epidemic, lock-outs, strikes or other labour disputes (whether or not relating to either party's workforce), or restraints or delays affecting carriers or inability or delay in obtaining supplies of adequate or suitable materials, provided that, if the event in question continues for a continuous period in excess of 60 days, the Buyer shall be entitled to give notice in writing to the Company to terminate the Contract.
- 15. GENERAL**
- 15.1 Each right or remedy of the Company under the Contract is without prejudice to any other right or remedy of the Company whether under the Contract or not.
- 15.2 If any provision of the Contract is found by any court, tribunal or administrative body of competent jurisdiction to be wholly or partly illegal, invalid, void, voidable, unenforceable or unreasonable it shall to the extent of such illegality, invalidity, voidness, voidability, unenforceability or unreasonableness be deemed severable and the remaining provisions of the Contract and the remainder of such provision shall continue in full force and effect.
- 15.3 Failure or delay by the Company in enforcing or partially enforcing any provision of the Contract shall not be construed as a waiver of any of its rights under the Contract.
- 15.4 Any waiver by the Company of any breach of, or any default under, any provision of the Contract by the Buyer shall not be deemed a waiver of any subsequent breach or default and shall in no way affect the other terms of the Contract.
- 15.5 The parties to the Contract do not intend that any term of the Contract shall be enforceable by virtue of the Contracts (Rights of Third Parties) Act 1999 by any person that is not a party to it.
- 15.6 The formation, existence, construction, performance, validity and all aspects of the Contract shall be governed by English law and the parties submit to the exclusive jurisdiction of the English courts.
- 16. COMMUNICATIONS**
- 16.1 All communications between the parties about the Contract shall be in writing and delivered by hand or sent by pre-paid first class post or sent by fax:
- (a) (in case of communications to the Company) to its registered office or such changed address as shall be notified to the Buyer by the Company; or
 - (b) (in the case of the communications to the Buyer) to the registered office of the addressee (if it is a company) or (in any other case) to any address of the Buyer set out in any document which forms part of the Contract or such other address as shall be notified to the Company by the Buyer.
- 16.2 Communications shall be deemed to have been received:
- (a) if sent by pre-paid first class post, two days (excluding Saturdays, Sundays and bank and public holidays) after posting (exclusive of the day of posting); or
 - (b) if delivered by hand, on the day of delivery; or
 - (c) if sent by fax on a working day prior to 4.00 pm, at the time of transmission and otherwise on the next working day.
- 16.3 Communications addressed to the Company shall be marked for the attention of the Sales Director.



The Architects of Silence

Silent Gliss is the leading global supplier of premium interior window treatments. Since 1952 we have been tirelessly committed to the development of the worlds' smoothest, quietest systems using state of the art technology.

Driven by customer needs, Silent Gliss offers functional and durable products. Expert technical advice coupled with installation and support services complete the offer. Silent Gliss stands for innovative, sustainable, tailor made solutions, exceptional design and first-class quality.

Supplied by

SG-S | **Silent Gliss Spares**
Silent Gliss Systems

www.sg-s.co.uk email:sales@sg-s.co.uk tel:0330 1272002

Silent Gliss Ltd.

Pyramid Business Park

Poorhole Lane, Broadstairs

Kent CT10 2PT

United Kingdom

T +44 1843 863571

info@silentgliss.co.uk

silentgliss.co.uk