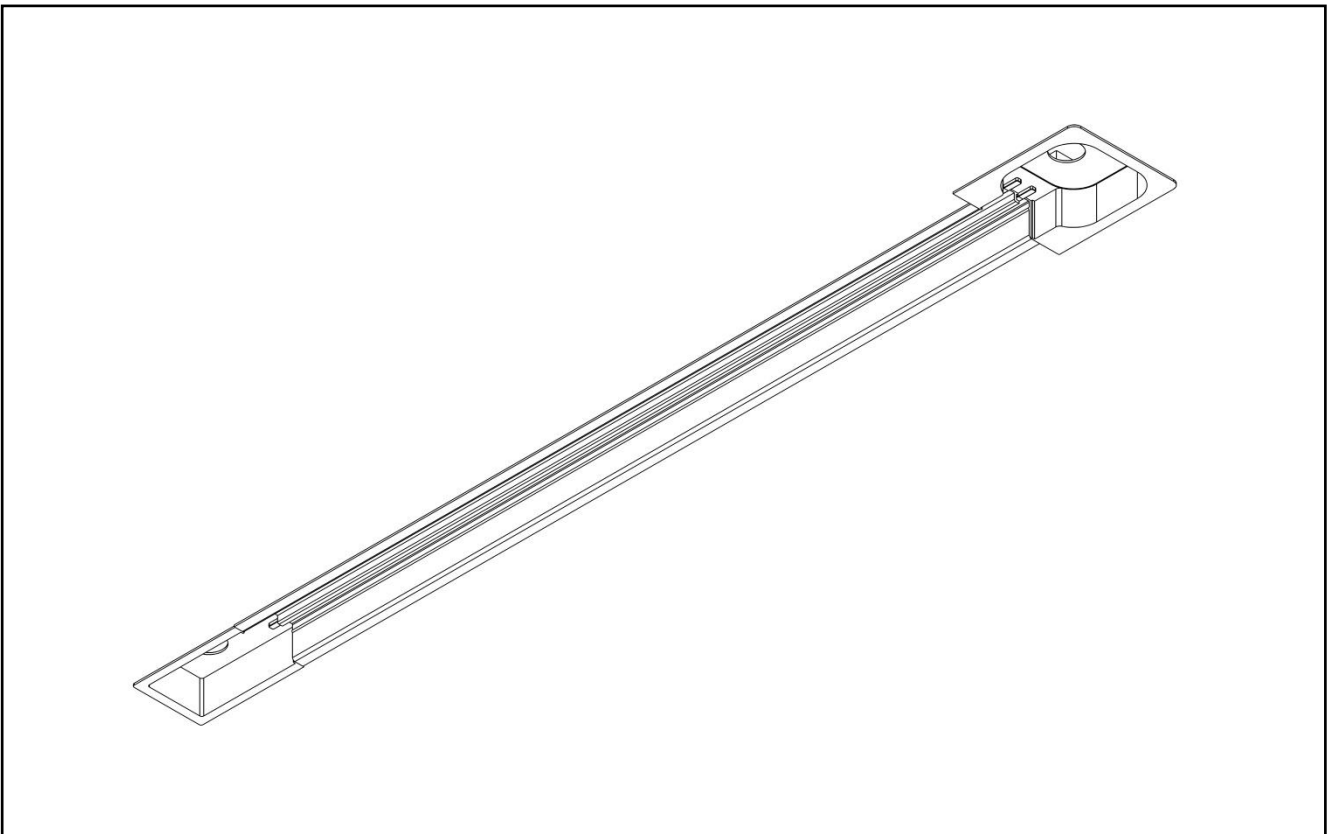


# System Information

June 2021



## Recess Systems

SG 2700, SG 2710, SG 2810, SG 2900, SG 2950,  
SG 3870, SG 3970, SG 5600, SG 6465, SG 6870,  
SG 6970

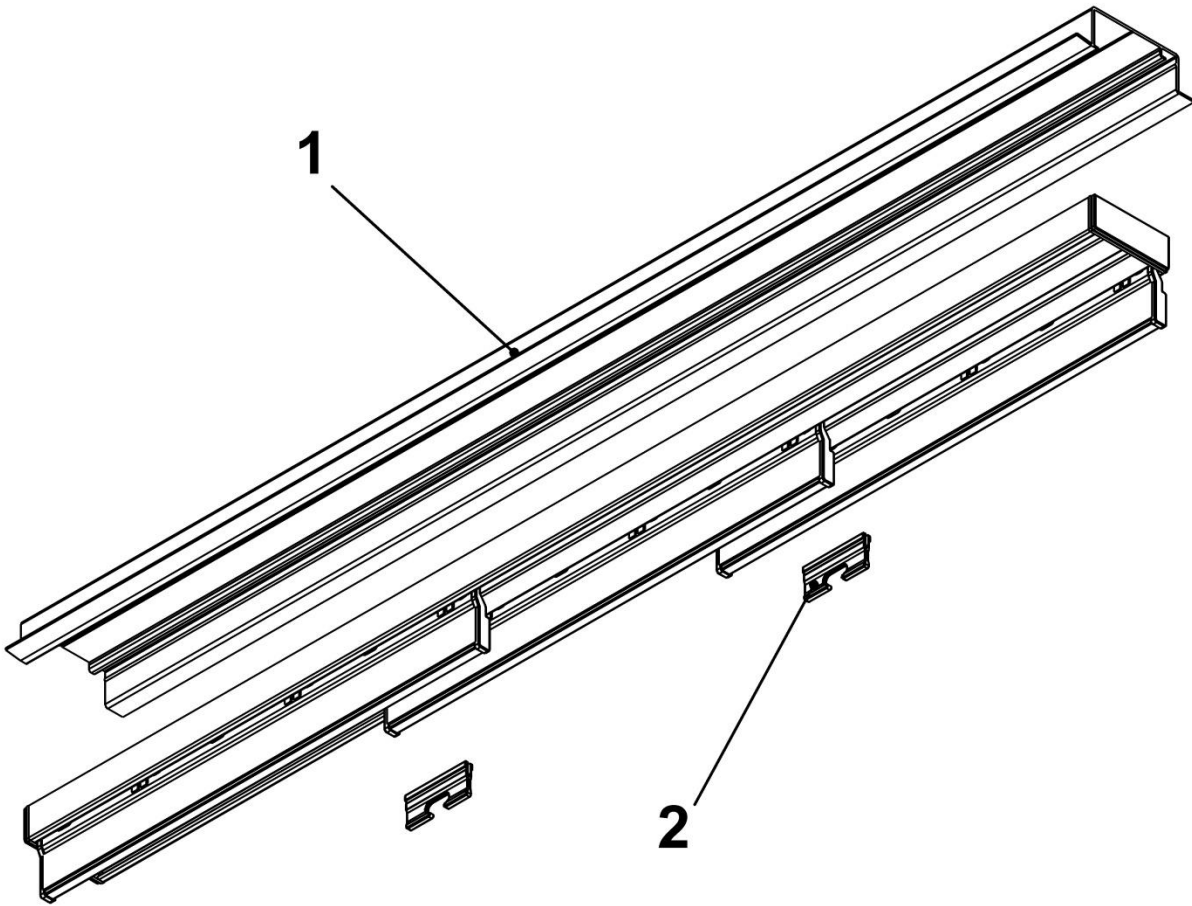
New Version: 5 dated March 2021	Issued and controlled by responsible engineer for development	Signature	Approved by SGHQ	
Replaces Version: 4 Dated March 2021	Date 07.12.2020	Name S. Schoepfer	Date	Name
Copyright© March 2019 by Silent Gliss International Ltd.				

## Content

2	SG 2700 / SG 2710 .....	5
2.1	Parts list SG 2700 / SG 2710 .....	5
2.2	Dimensions SG 2700 / SG 2710 .....	6
2.3	Preparing recess profile .....	8
3	SG 2810.....	9
3.1	Parts list SG 2810 .....	9
3.2	Dimensions SG 2810 .....	10
3.3	Preparing recess profile .....	12
4	SG 2900.....	13
4.1	Parts list SG 2900 .....	13
4.2	Dimensions SG 2900 .....	14
4.3	Preparing recess profile .....	16
5	SG 2950.....	17
5.1	Parts list SG 2950 .....	17
5.2	Dimensions SG 2950 .....	18
5.3	Preparing recess profile .....	20
6	SG 3870.....	21
6.1	Parts list SG 3870 .....	21
6.2	Dimensions SG 3870 .....	22
6.3	Preparing recess profile .....	24
7	SG 3970.....	25
7.1	Parts list SG 3970 .....	25
7.2	Dimensions SG 3970 .....	26
7.3	Preparing recess profile .....	28
8	SG 5600.....	29
8.1	Parts list SG 5600 .....	29
8.2	Dimensions SG 5600 .....	30
8.3	Preparing recess profile .....	32
9	SG 6465.....	33
9.1	Parts list SG 6465 .....	33
9.2	Dimensions SG 6465 .....	34
9.3	Preparing recess profile .....	36
9.4	Parts list SG 6465 optional (without covers) .....	37
9.5	Dimensions SG 6465 optional (without covers) .....	38
9.6	Preparing recess profile .....	40
10	SG 6870.....	41
10.1	Parts list SG 6870 standard .....	41
10.2	Dimensions SG 6870 standard .....	42
10.3	Preparing recess profile .....	44
10.4	Parts list SG 6870 optional (without covers) .....	45
10.5	Dimensions SG 6870 optional (without covers) .....	46
10.6	Preparing recess profile .....	48
11	SG 6970.....	49
11.1	Parts list SG 6970 .....	49
11.2	Dimensions SG 6970 .....	50
11.3	Preparing recess profile .....	52

11.4	Parts list SG 6970 optional (without covers) .....	53
11.5	Dimensions SG 6970 optional (without covers) .....	54
11.6	Preparing recess profile .....	56

**2 SG 2700 / SG 2710**  
 2.1 Parts list SG 2700 / SG 2710



3-channel:

2	Clamp	101015700	
1	Profile	101017303	1
Pos. Pos.	Titel Title	Teilenummer part number	Stück Piece

2-channel:

2	Clamp	101015700	
1	Profile	101017203	1
Pos. Pos.	Titel Title	Teilenummer part number	Stück Piece

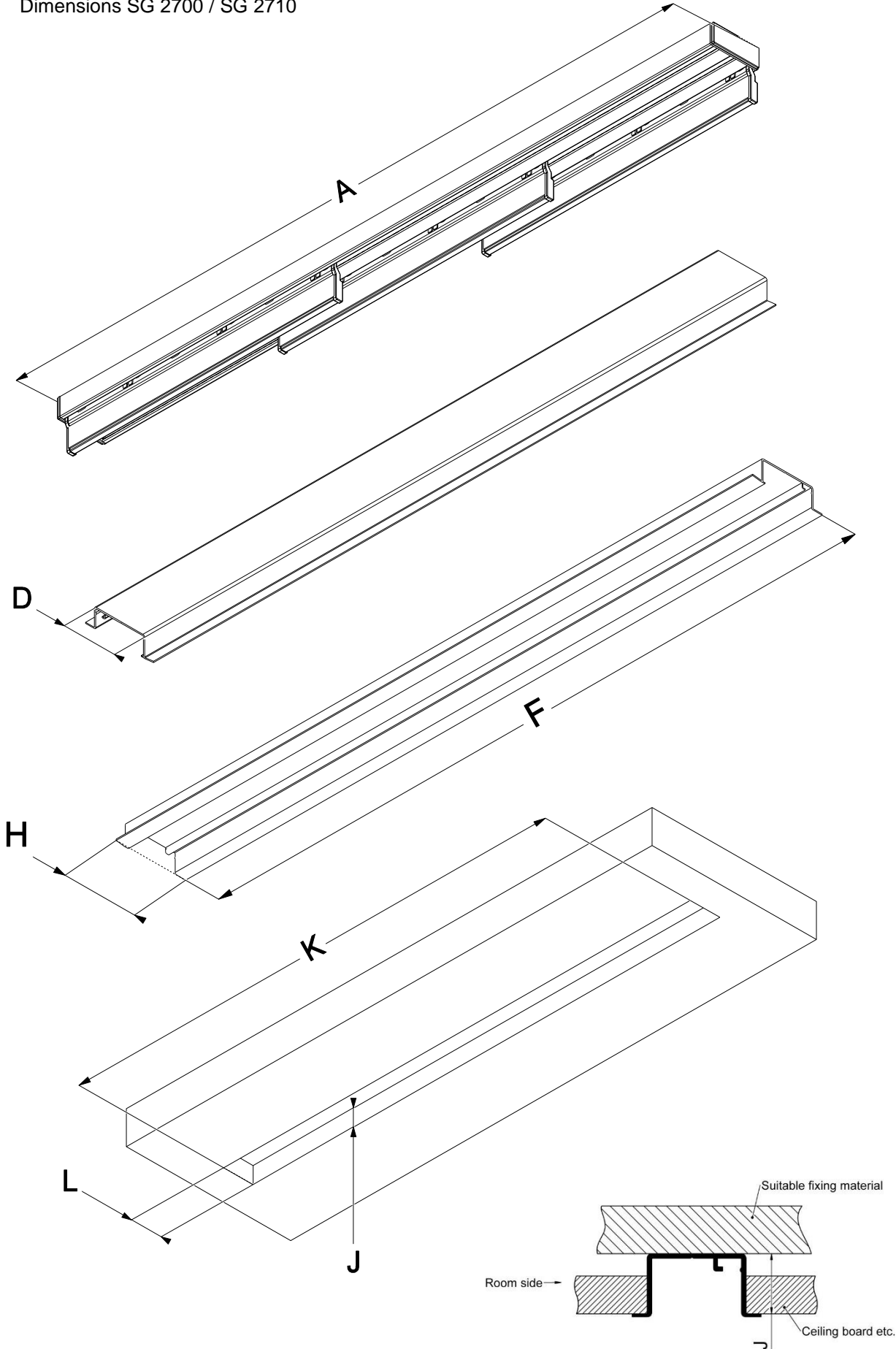
4-channel:

2	Clamp	101015700	
1	Profile	101017403	1
Pos. Pos.	Titel Title	Teilenummer part number	Stück Piece

5-channel:

2	Clamp	101015700	
1	Profile	101017503	1
Pos. Pos.	Titel Title	Teilenummer part number	Stück Piece

2.2 Dimensions SG 2700 / SG 2710



### 3-channel

Lettering	Meaning	Dimension	Example
A	System length	A	2000m
D	Recess Profile wide	56.5mm	56.5mm
F	Recess Profile length	A + 2mm	2002mm
H	Total Recess Profile wide	76.5mm	76.5mm
J	Recess depth	20.5mm	20.5mm
K	Recess length	Min: A + 3mm	Min: 2003mm
L	Recess wide	Min: 57mm Max: 65mm	Min: 57mm Max: 65mm

### 2-channel

A	System length	A
D	Recess Profile wide	38.5mm
F	Recess Profile length	A + 2mm
H	Total Recess Profile wide	58.5mm
J	Recess depth	20.5mm
K	Recess length	Min: A + 3mm
L	Recess wide	Min: 39mm Max: 47mm

### 4-channel

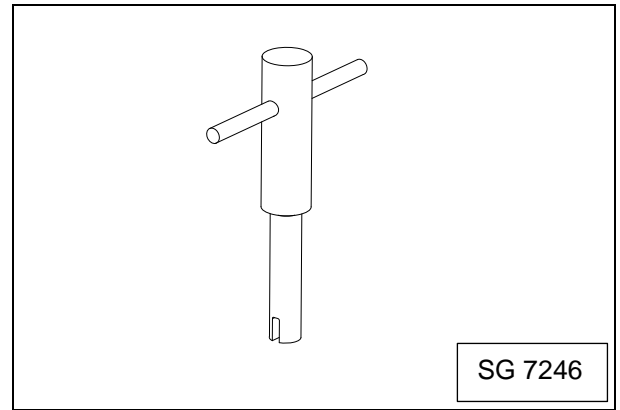
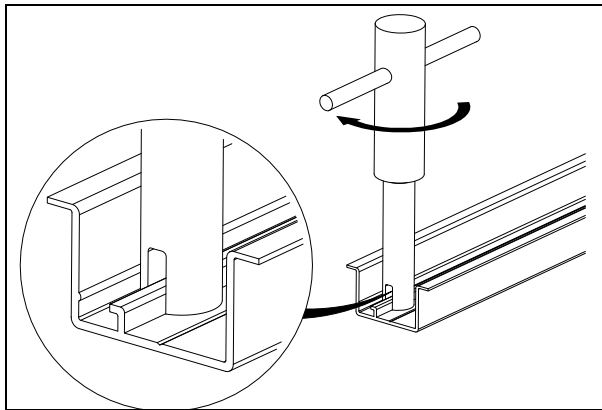
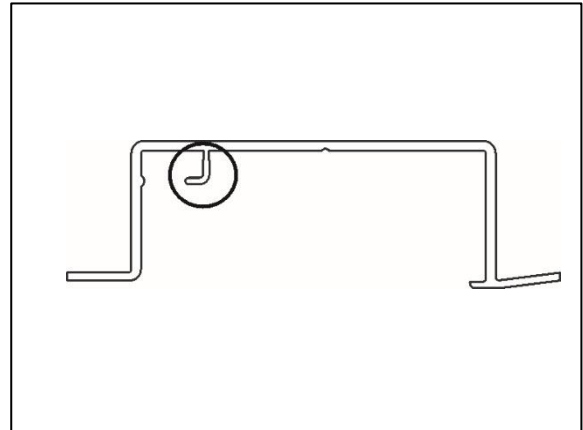
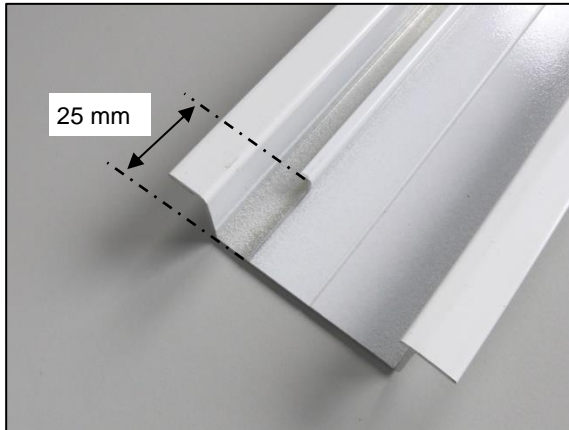
A	System length	A
D	Recess Profile wide	75mm
F	Recess Profile length	A + 2
H	Total Recess Profile wide	95mm
J	Recess depth	20.5mm
K	Recess length	Min: A + 3mm
L	Recess wide	Min: 76mm Max: 84mm

### 5-channel

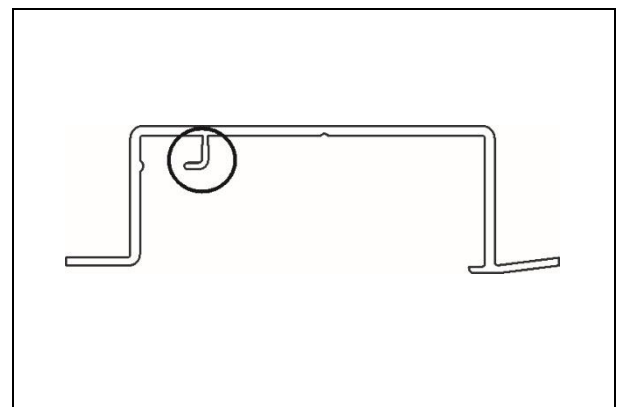
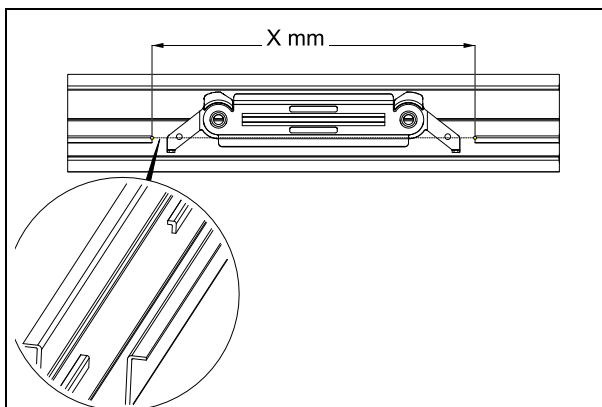
A	System length	A
D	Recess Profile wide	93mm
F	Recess Profile length	A + 2mm
H	Total Recess Profile wide	113mm
J	Recess depth	20.5mm
K	Recess length	Min: A + 3mm
L	Recess wide	Min: 94mm Max: 102mm

## 2.3 Preparing recess profile

### 2.3.1 Cut off the recess profile hook on both sides.



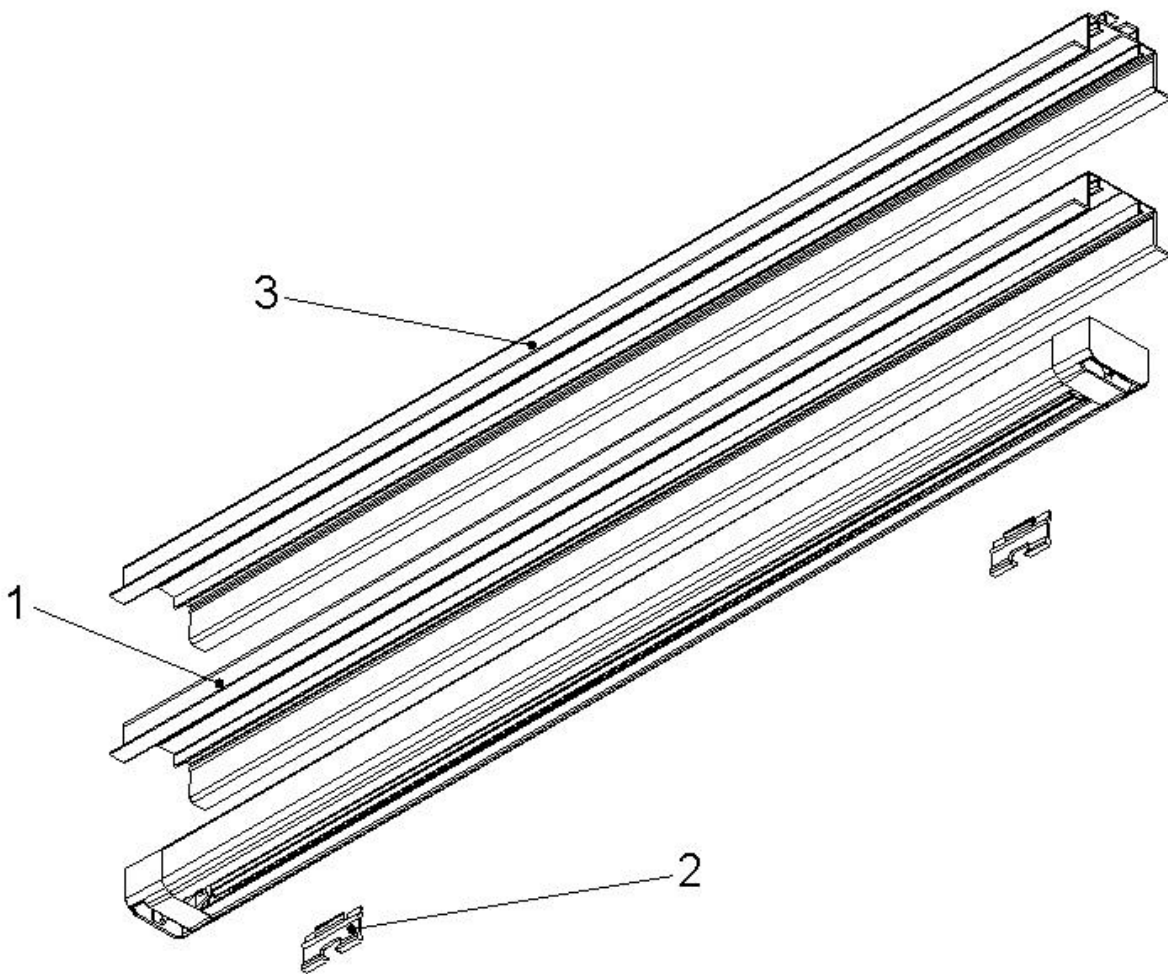
### 2.3.2 Cut off the recess profile hook if a connecting bridge is used.



X = min 150mm

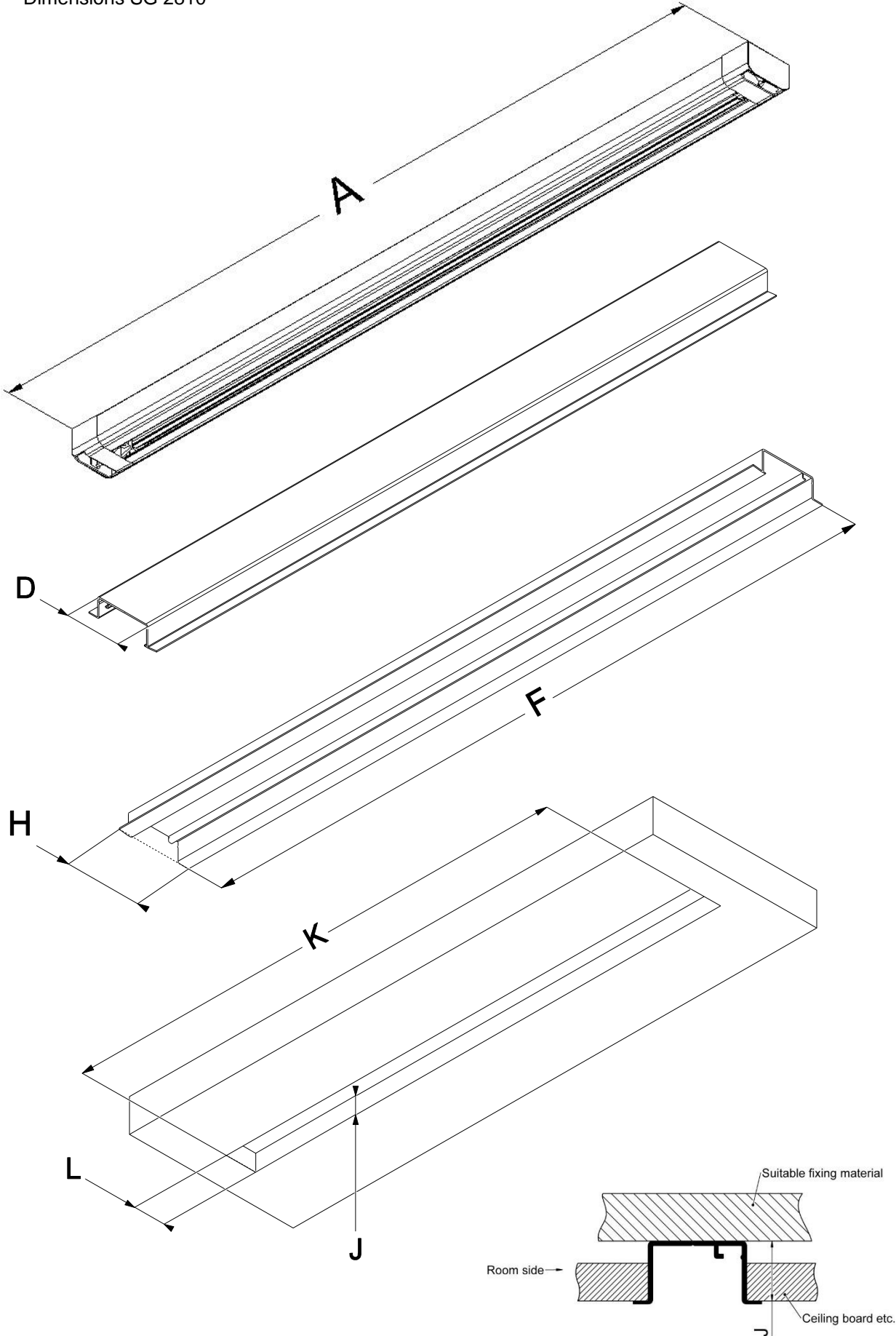


**3 SG 2810**  
 3.1 Parts list SG 2810



(3)	Recess profile white	100261403	(1)
2	Wedge	100511800	
1	Recess profile white	100261503	1
Pos.	Titel	Teilenummer	Stück
Pos.	Title	part number	Piece

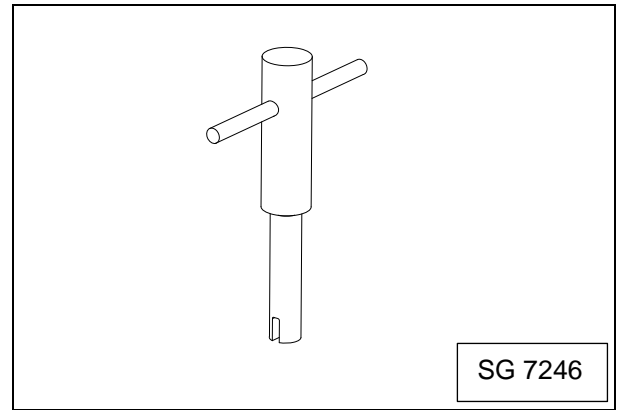
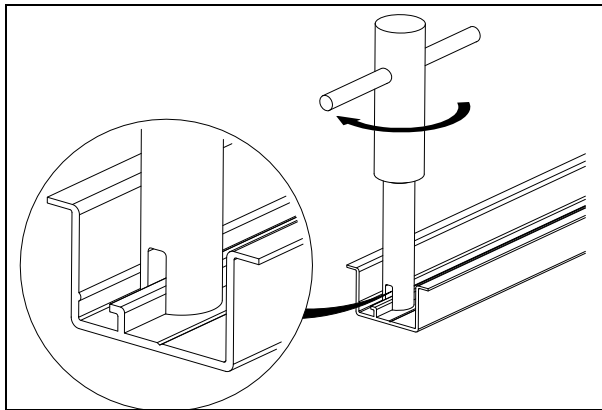
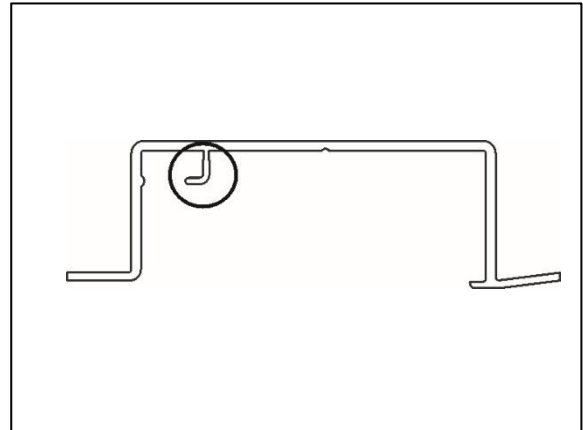
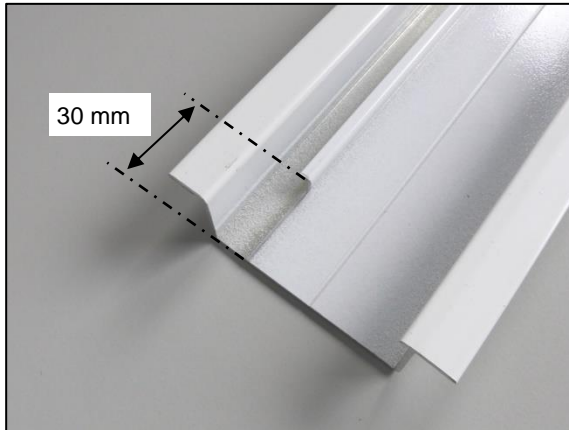
3.2 Dimensions SG 2810



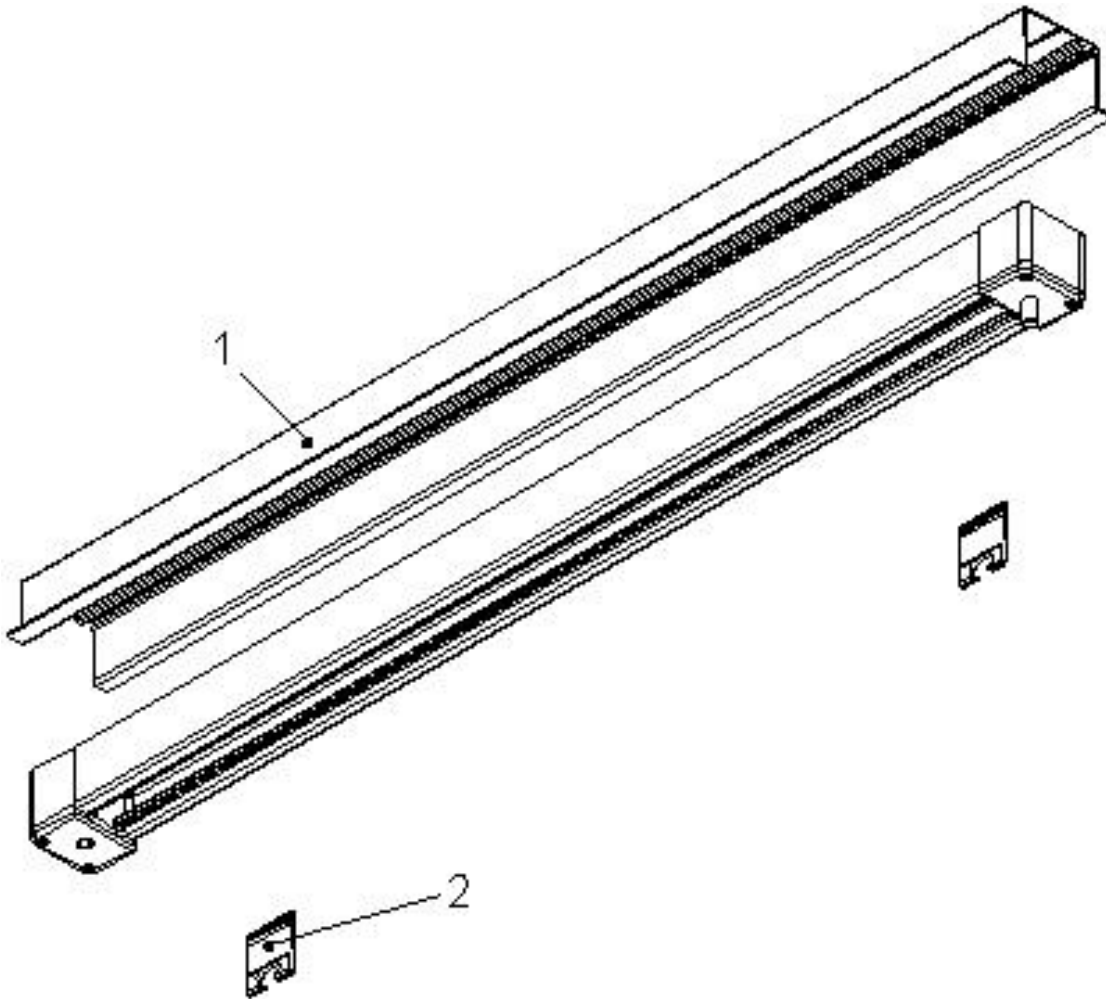
Lettering	Meaning	Dimension	Example
A	System length	A	2000m
D	Recess Profile wide	50mm	50mm
F	Recess Profile length	A + 2mm	2002mm
H	Total Recess Profile wide	70mm	70mm
J	Recess depth	23mm	23mm
K	Recess length	Min: A + 3mm	Min: 2003mm
L	Recess wide	Min: 52mm Max: 55mm	Min: 52mm Max: 55mm

### 3.3 Preparing recess profile

#### 3.3.1 Cut off the recess profile hook on both sides.

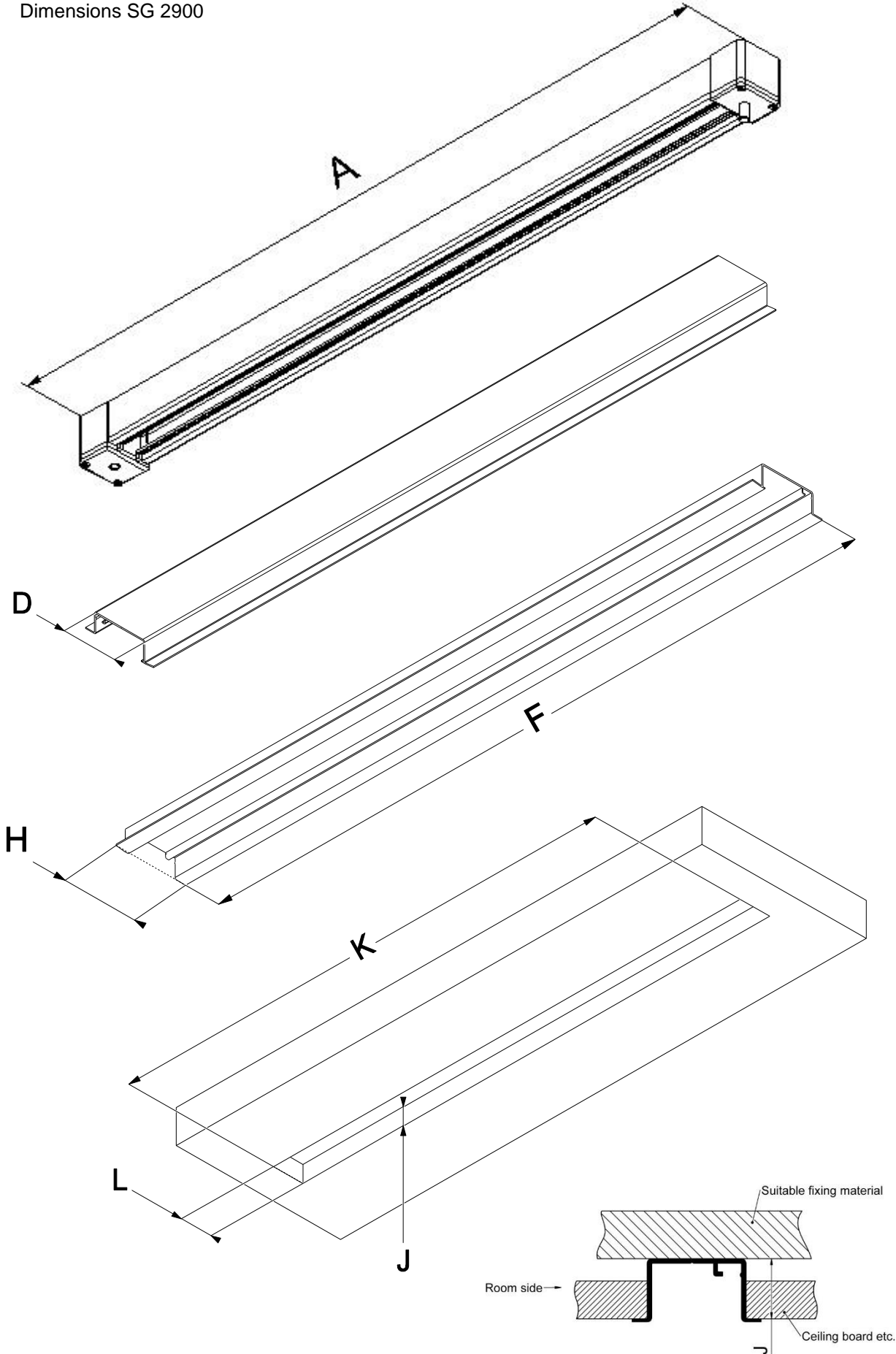


**4 SG 2900**  
 4.1 Parts list SG 2900



2	Wedge	100294100	
1	Recess profile white	100293203	1
Pos. Pos.	Titel Title	Teilenummer part number	Stück Piece

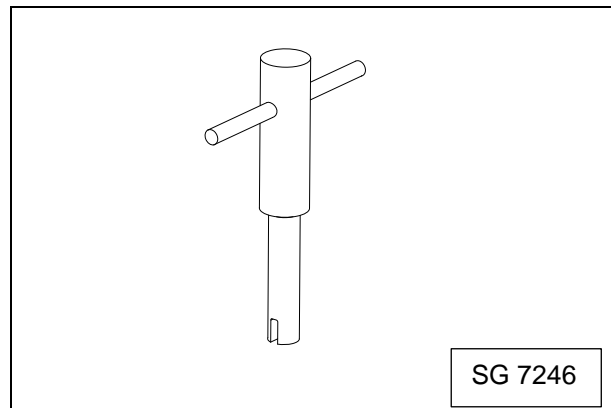
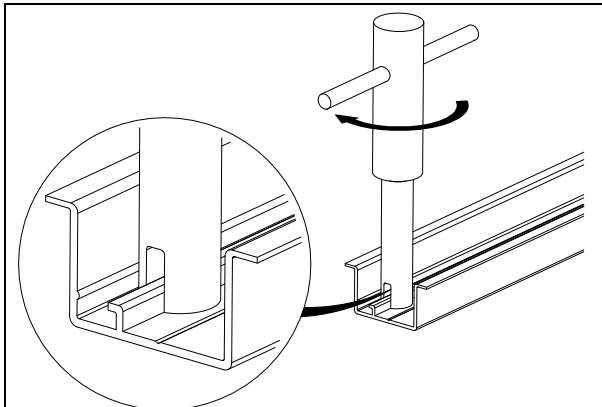
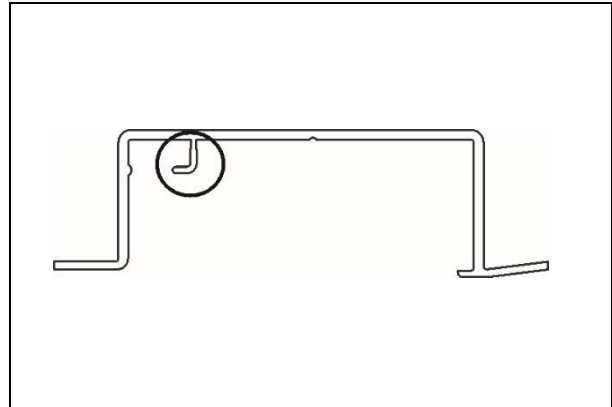
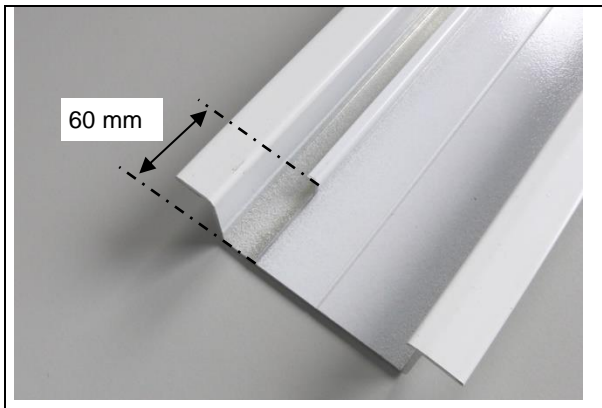
4.2 Dimensions SG 2900



Lettering	Meaning	Dimension	Example
A	System length without end covers	A	2000mm
D	Recess Profile wide without lips	51mm	51mm
F	Recess Profile length	A + 2mm	2002mm
H	Total Recess Profile wide incl. lips	71mm	71mm
J	Recess depth	37mm	37mm
K	Recess length	Min: A + 3mm	Min: 2003mm
L	Recess wide	Min: 52mm Max: 59mm	Min: 52mm Max: 59mm

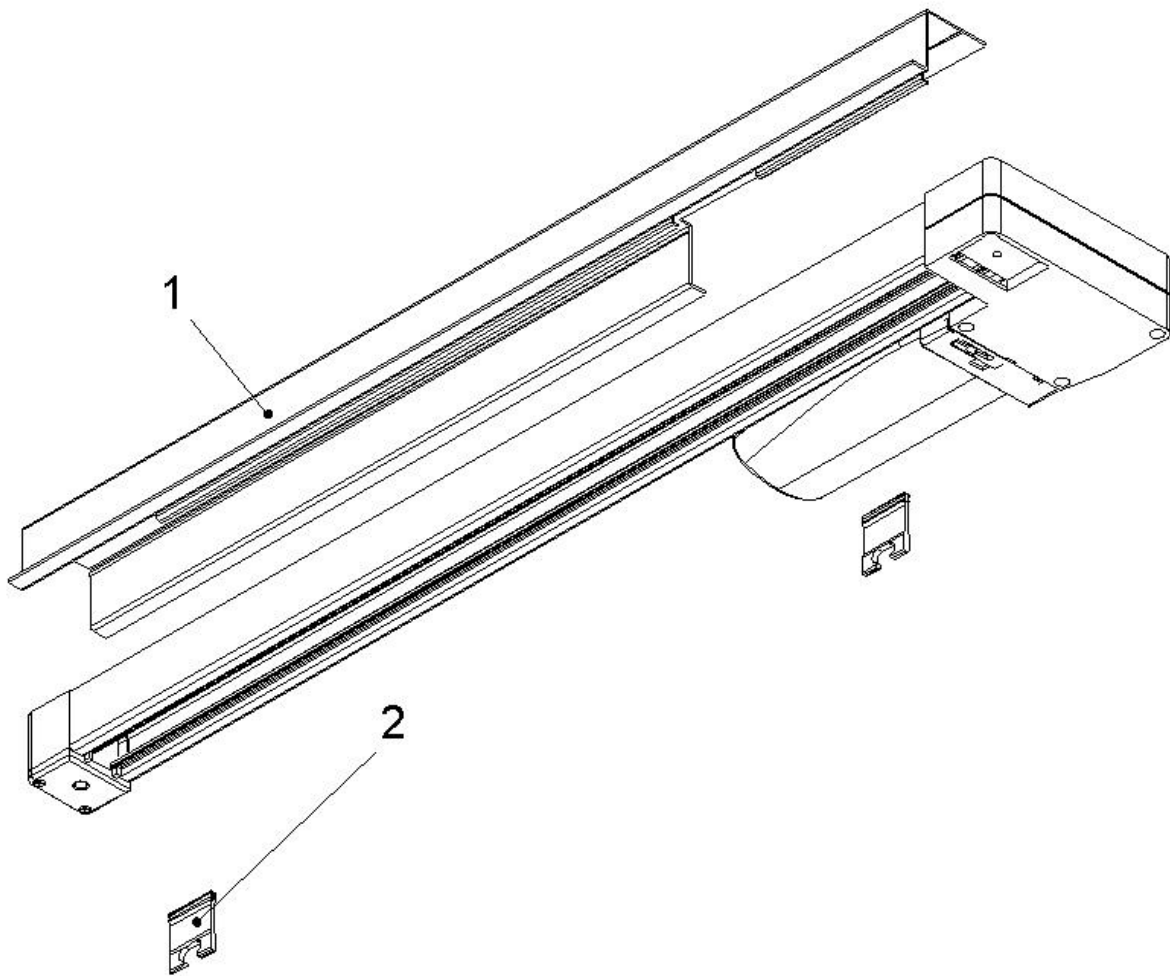
### 4.3 Preparing recess profile

#### 4.3.1 Cut off the recess profile hook according to drawing



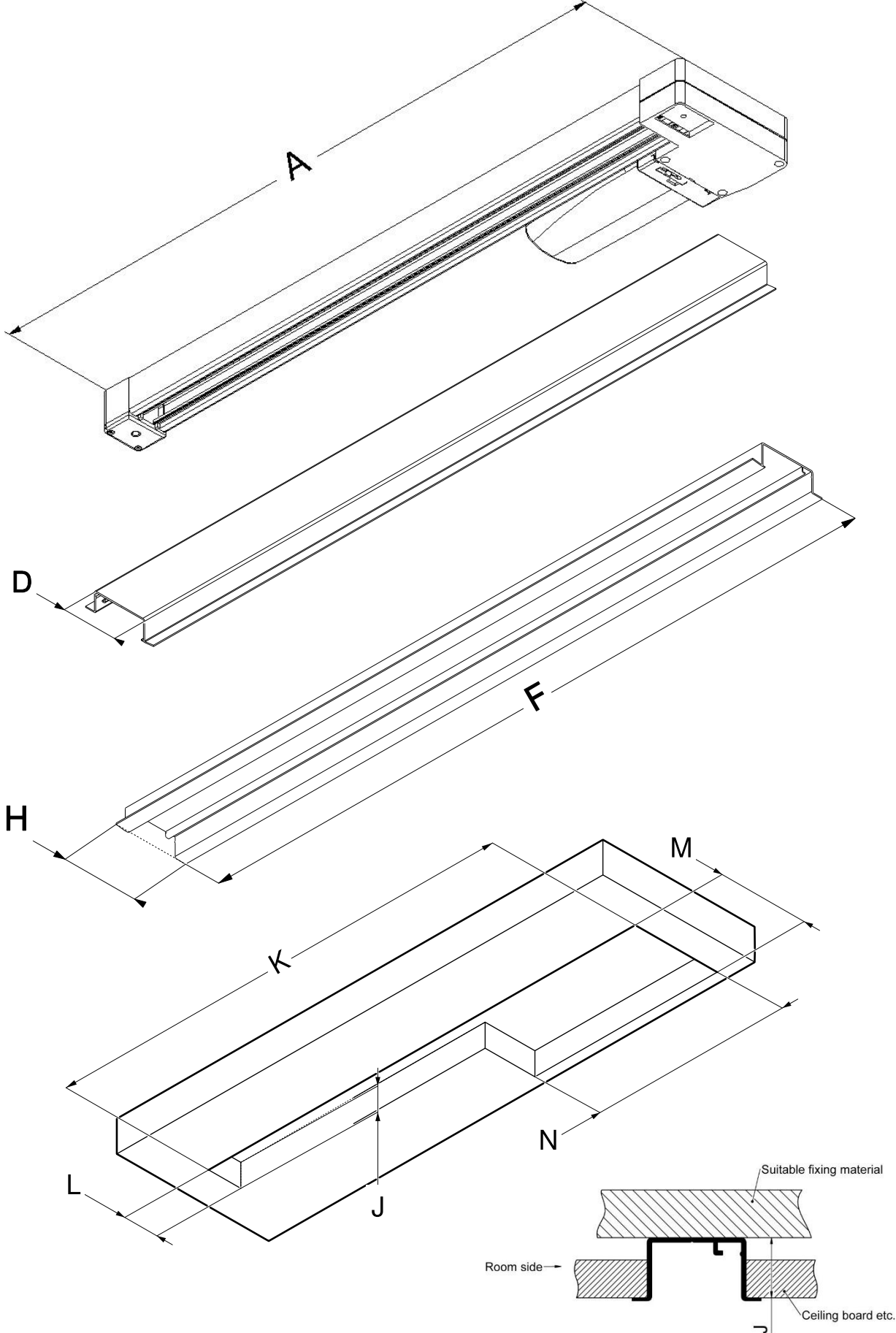


**5 SG 2950**  
 5.1 Parts list SG 2950



2	Wedge	100294100	
1	Recess profile white	100293203	1
Pos. Pos.	Titel Title	Teilenummer part number	Stück Piece

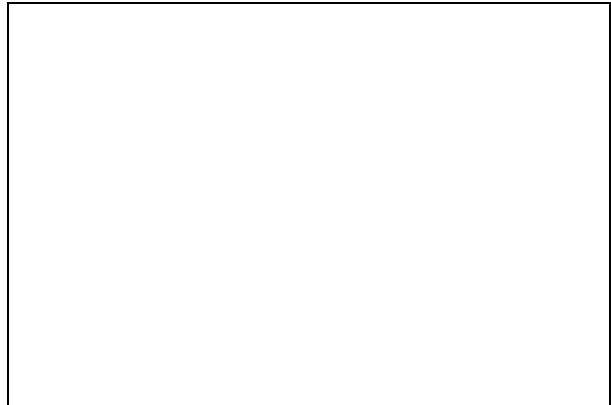
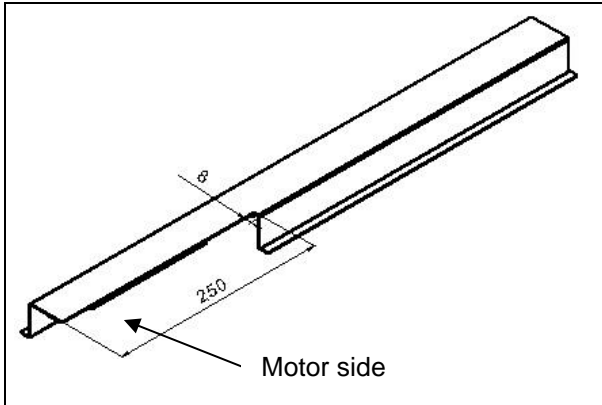
5.2 Dimensions SG 2950



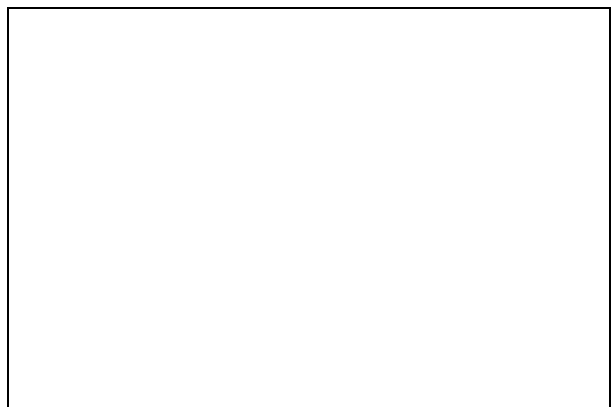
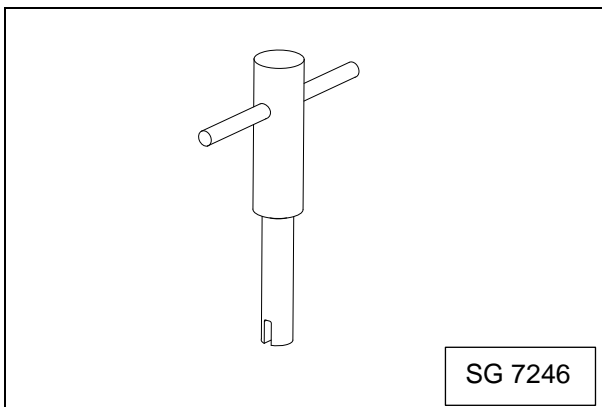
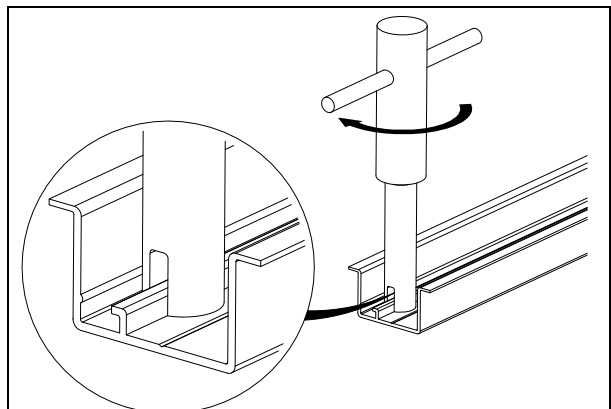
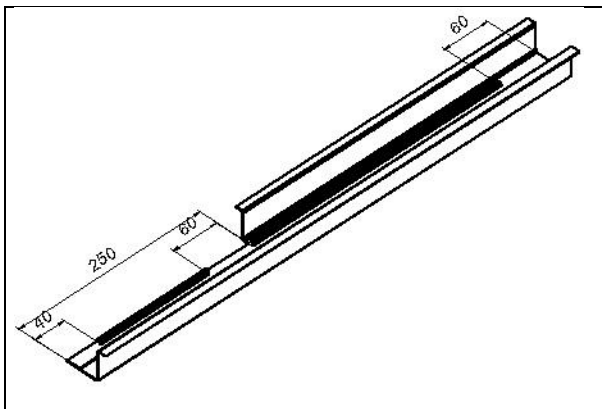
Lettering	Meaning	Dimension	Example
A	System length	A	2000mm
D	Recess Profile wide without lips	51mm	51mm
F	Recess Profile length	A – 48mm	1952mm
H	Total Recess Profile wide incl. lips	71mm	71mm
J	Recess depth	37mm	37mm
K	Recess length	Min: A + 3mm	Min: 2003mm
L	Recess wide	Min: 52mm Max: 59mm	Min: 52mm Max: 59mm
M	Recess wide Motor side	Min: 133mm	Min: 133mm
N	Recess length motor side	Min: 299mm	Min: 299mm

### 5.3 Preparing recess profile

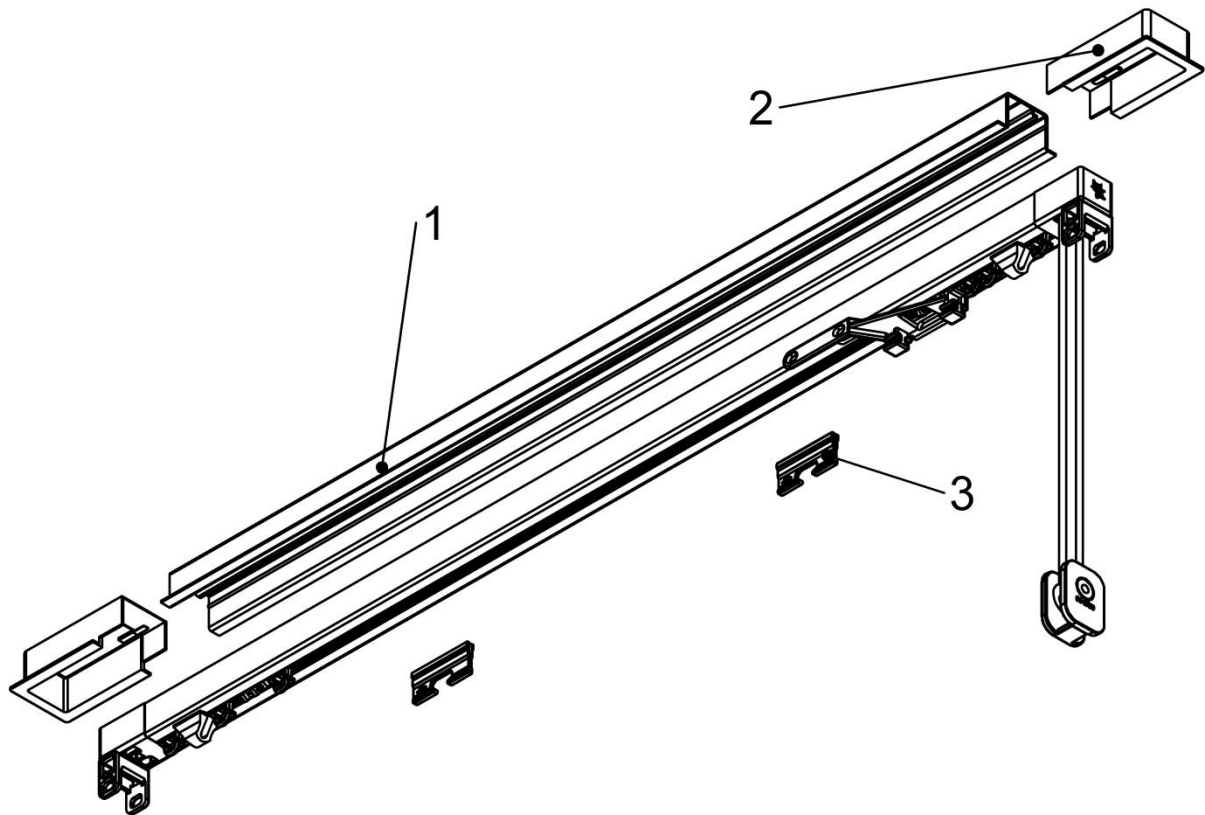
#### 5.3.1 Cut out the recess profile



#### 5.3.2 Cut off the recess profile hook according to drawing

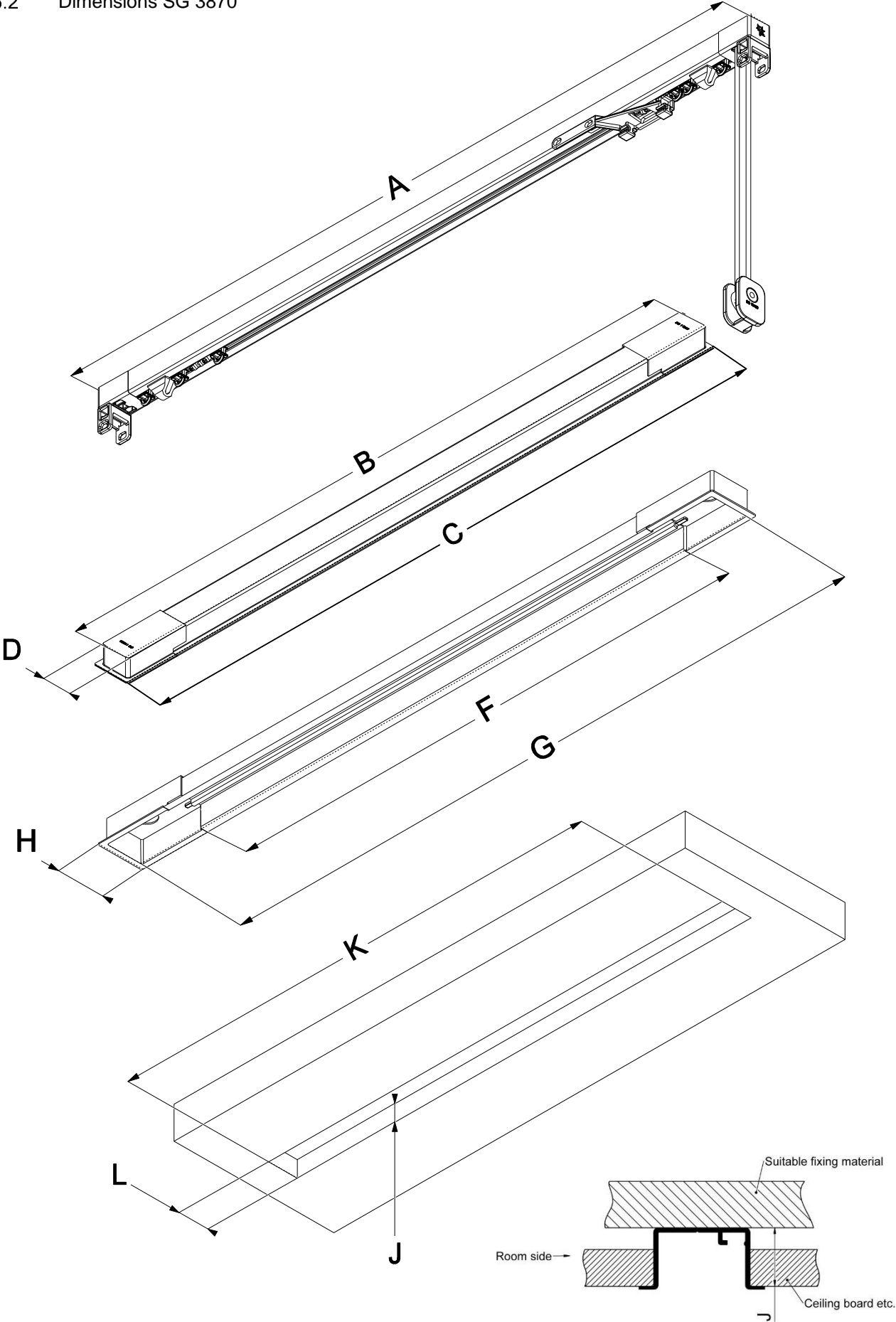


**6 SG 3870**  
6.1 Parts list SG 3870



3	Clamp	101015700	
2	Recess mask	101123800	2
1	Recess profile white	101123000	1
Pos. Pos.	Titel Title	Teilenummer part number	Stück Piece

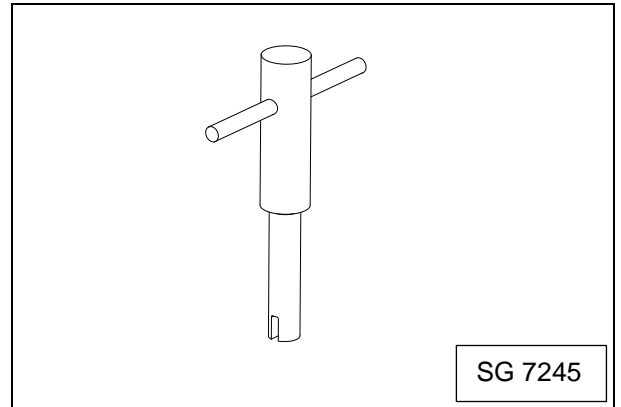
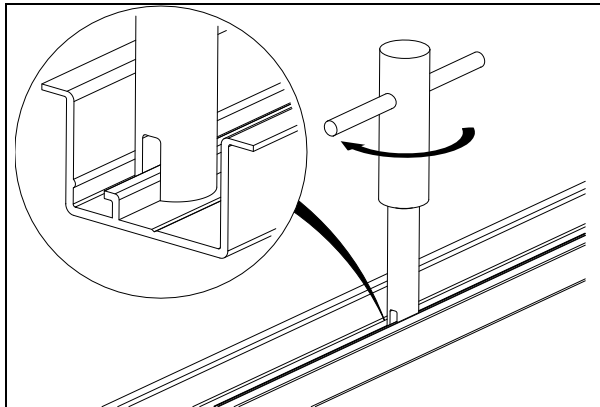
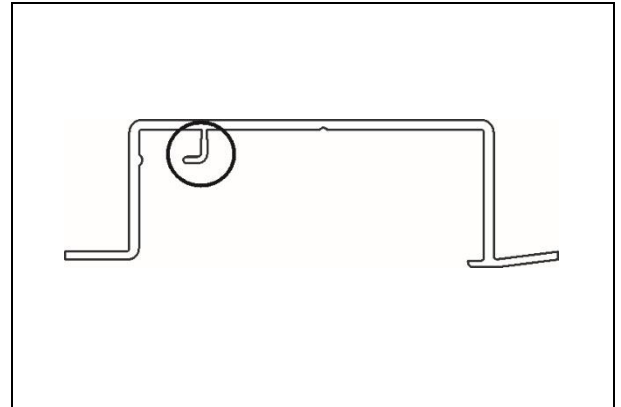
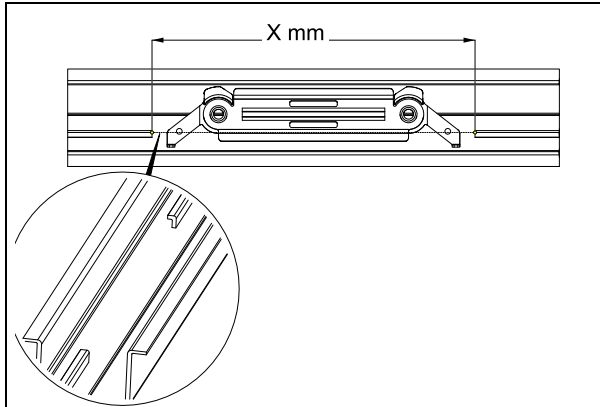
6.2 Dimensions SG 3870



Lettering	Meaning	Dimension	Example
A	System length incl. end caps	A	2000mm
B	Recess Profile length without lips	A + 6mm	2006mm
C	Total recess Profile length incl. lips	A + 15mm	2015mm
D	Recess Profile wide without lips	32mm	32mm
F	Recess Profile length	A – 104mm	1896mm
G	Recess Profile inside length	A + 4	2004mm
H	Total Recess Profile wide incl. lips	41mm	41mm
J	Recess depth	21.5mm	21.5mm
K	Recess length	Min: A + 7mm Max: A + 10mm	Min: 2007mm Max: 2010mm
L	Recess wide	Min: 33mm Max: 36mm	Min: 33mm Max: 36mm

### 6.3 Preparing recess profile

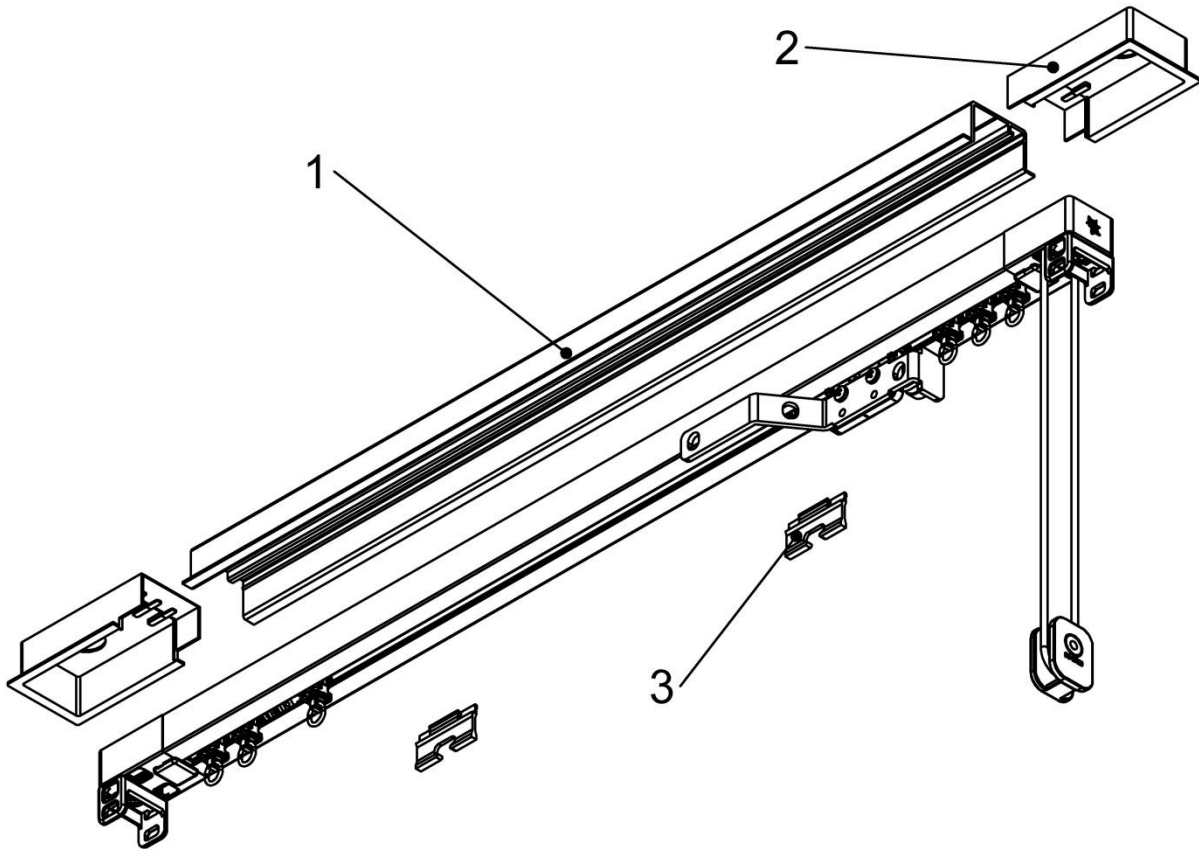
#### 6.3.1 Cut off the recess profile hook if a profile connector is used.



$X = \text{min } 80\text{mm}$

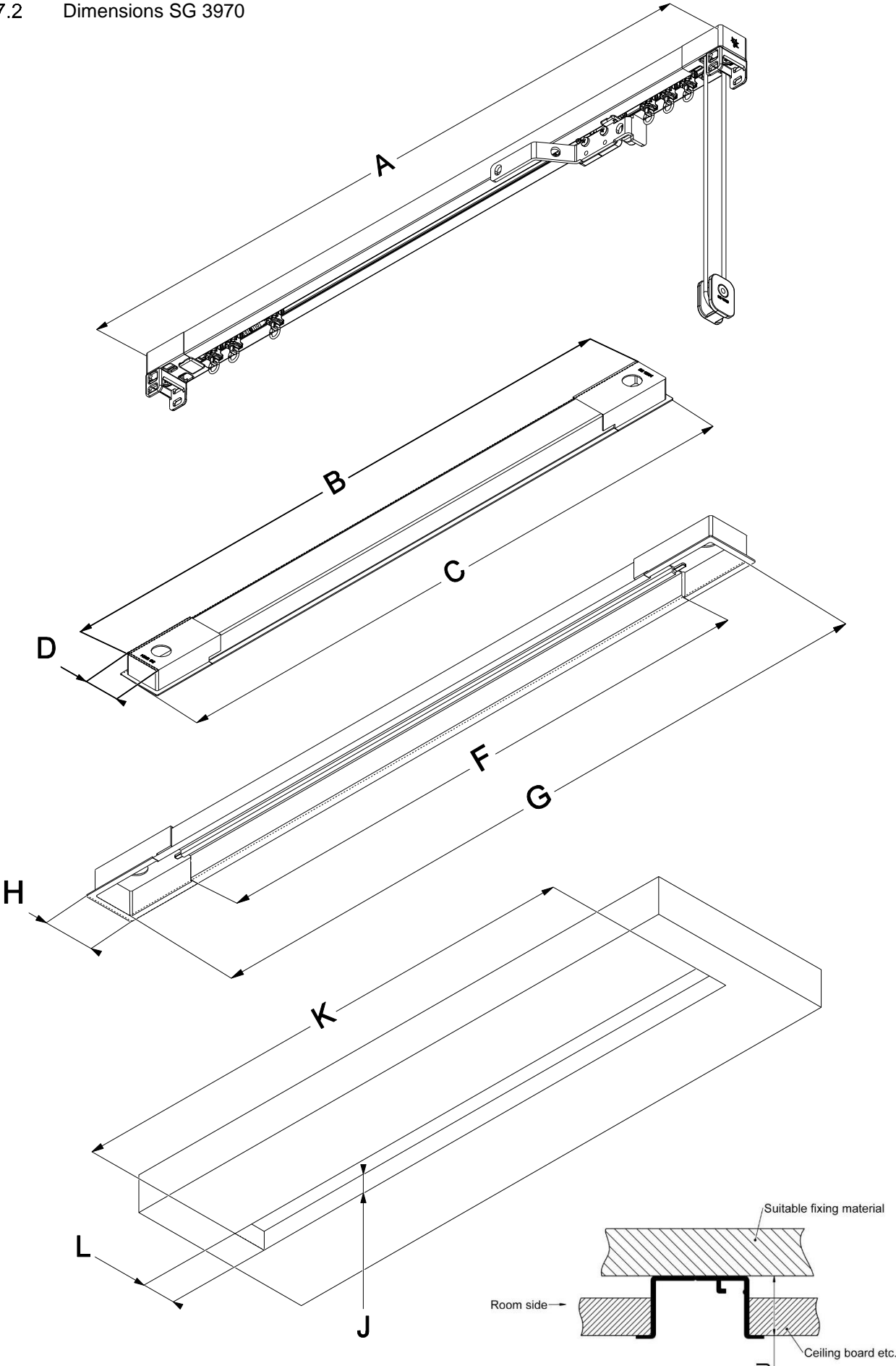


**7 SG 3970**  
7.1 Parts list SG 3970



3	Wedge	100511800	
2	Recess mask belt return	101086400	2
1	Recess profile white	101086200	1
Pos. Pos.	Titel Title	Teilenummer part number	Stück Piece

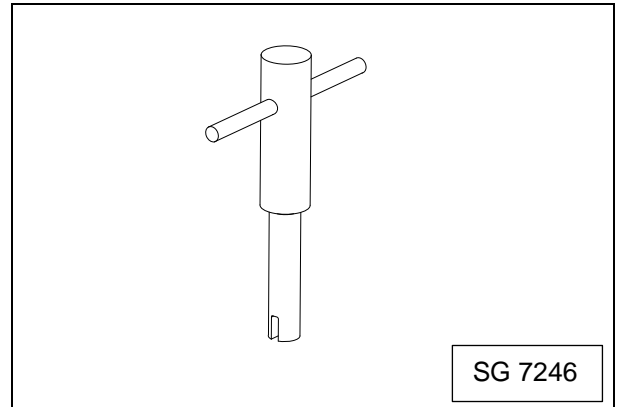
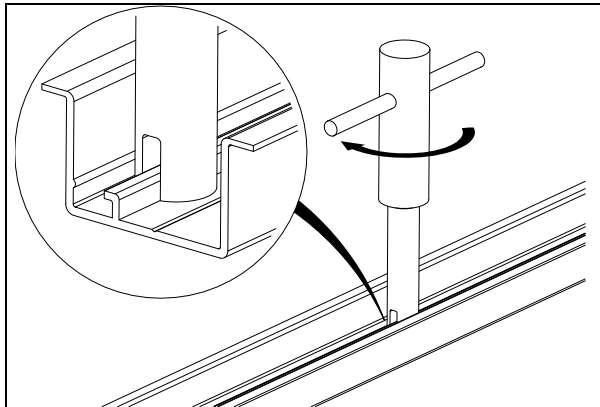
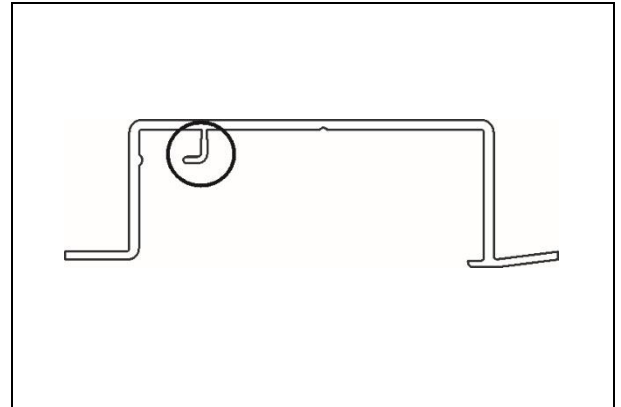
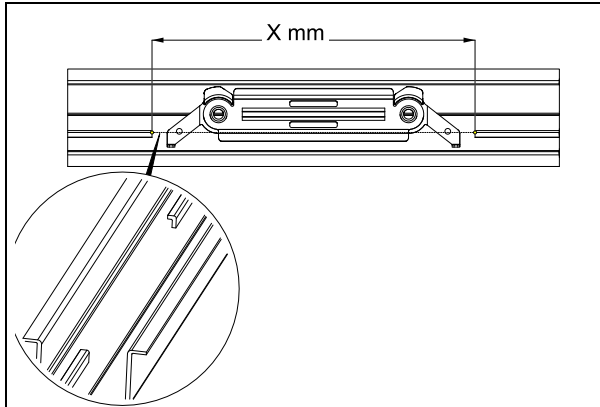
7.2 Dimensions SG 3970



Lettering	Meaning	Dimension	Example
A	System length incl. end caps	A	2000mm
B	Recess Profile length without lips	A + 6mm	2006mm
C	Total recess Profile length incl. lips	A + 15mm	2015mm
D	Recess Profile wide without lips	42mm	42mm
F	Recess Profile length	A – 138mm	1862mm
G	Recess Profile inside length	A + 4	2004mm
H	Total Recess Profile wide incl. lips	51mm	51mm
J	Recess depth	24.5mm	24.5mm
K	Recess length	Min: A + 7mm Max: A + 10mm	Min: 2007mm Max: 2010mm
L	Recess wide	Min: 43mm Max: 46mm	Min: 43mm Max: 46mm

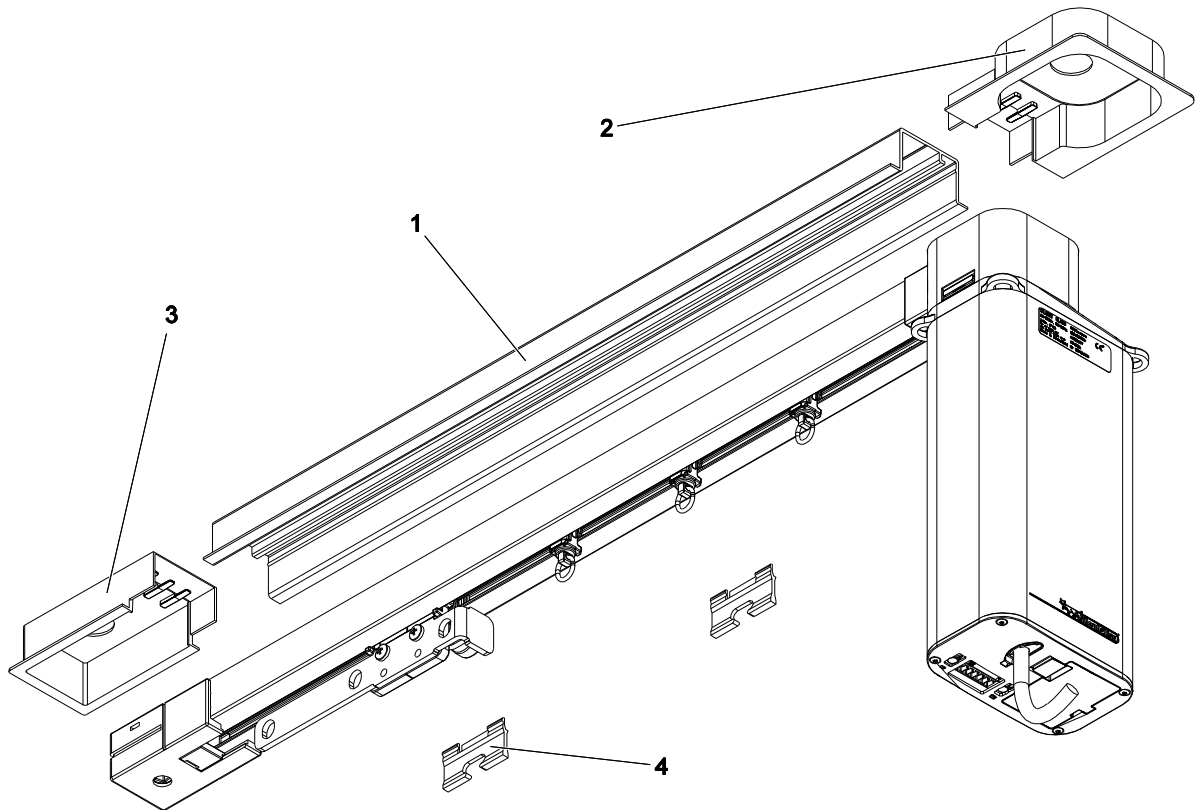
### 7.3 Preparing recess profile

#### 7.3.1 Cut off the recess profile hook if a profile connector is used.



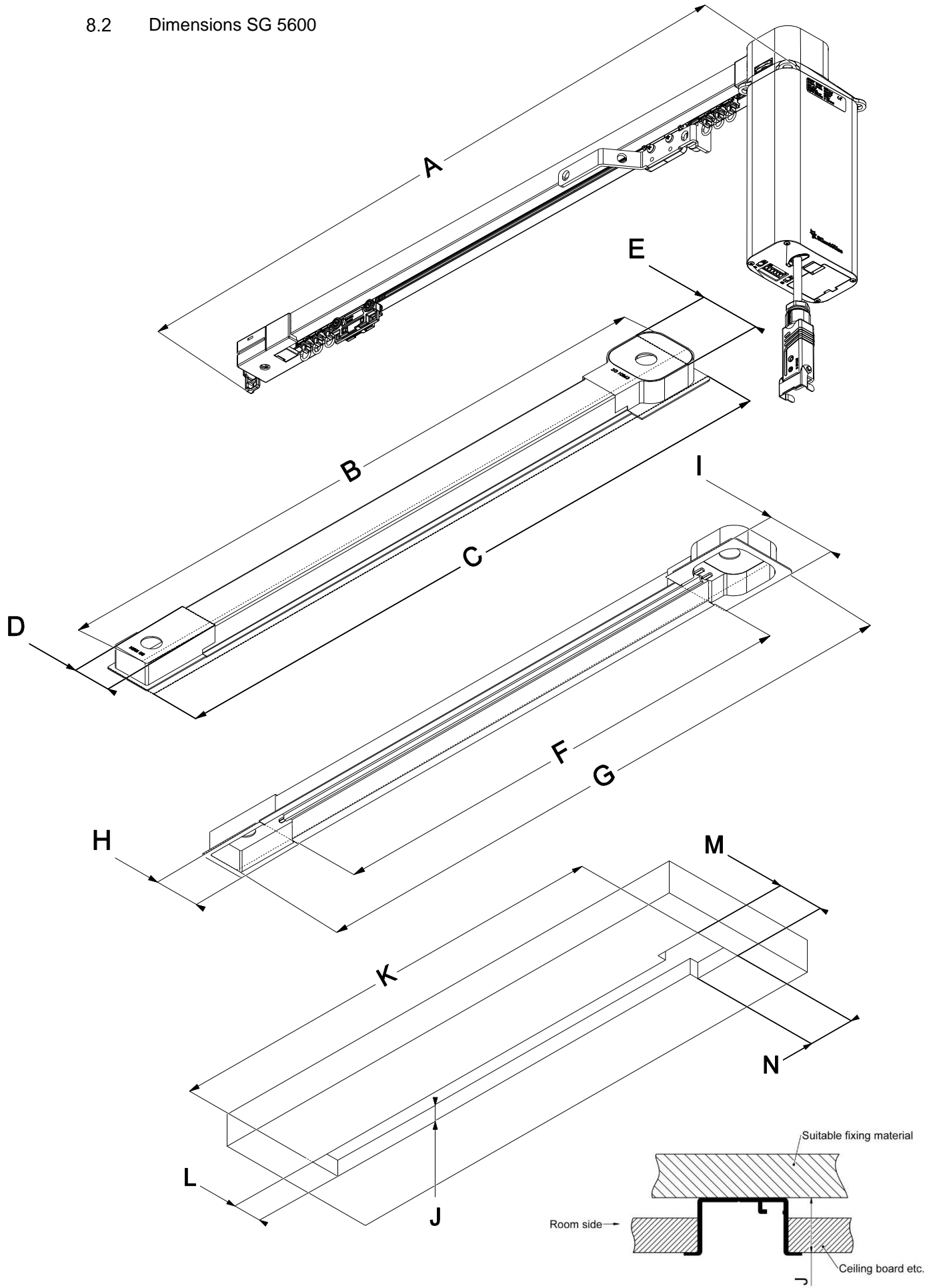
$X = \text{min } 170\text{mm}$

**8 SG 5600**  
8.1 Parts list SG 5600



4	Wedge	100511800	
3	Recess mask	101086400	1
2	Recess mask motor	101086300	1
1	Recess profile white	101086200	1
Pos. Pos.	Titel Title	Teilenummer part number	Stück Piece

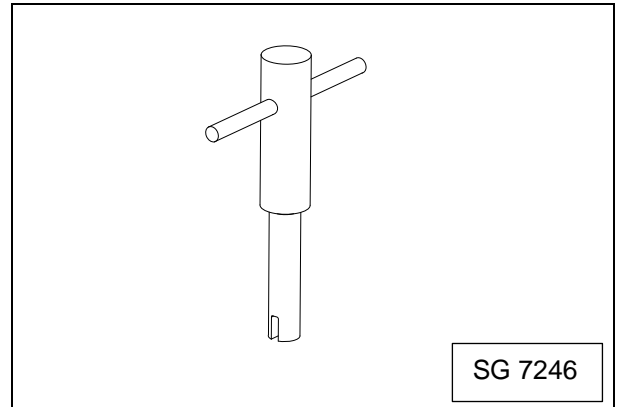
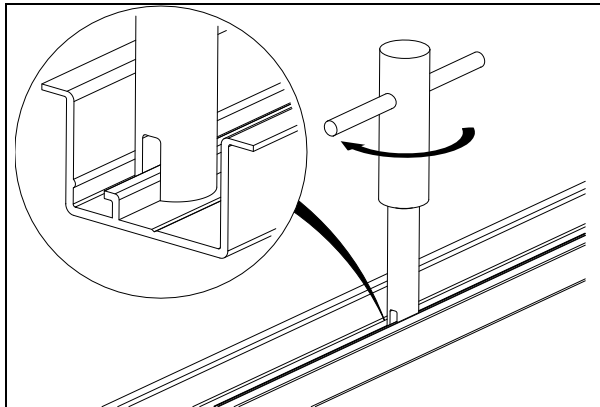
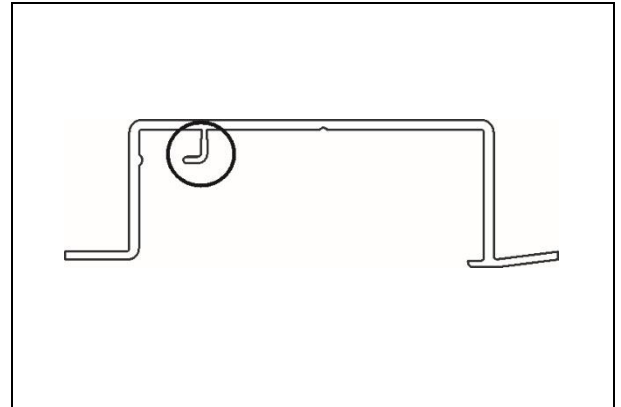
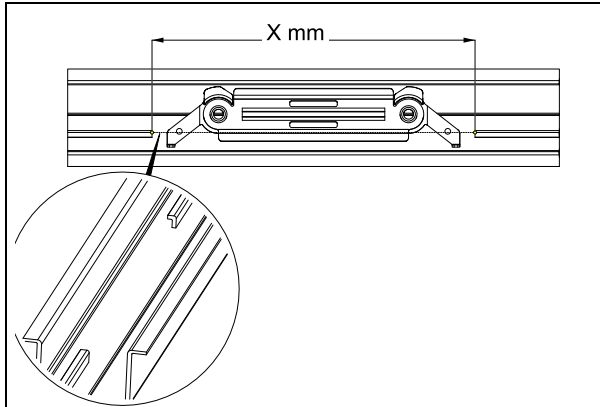
8.2 Dimensions SG 5600



Lettering	Meaning	Dimension	Example
A	System length incl. end caps	A	2000mm
B	Recess profile length without lips	A + 3mm	2003mm
C	Total recess profile length incl. lips	A + 13mm	2013mm
D	Recess Profile wide without lips	42mm	42mm
E	Recess mask wide Motor side	67mm	67mm
F	Recess Profile length	A – 154mm	1846mm
G	Recess profile inside length	A	2000mm
H	Total Recess Profile wide incl. lips	51mm	51mm
I	Total recess mask wide Motor side	79mm	79mm
J	Recess depth	24.5mm	21.5mm
K	Recess length	Min: A + 3mm Max: A + 6mm	Min: 2003mm Max: 2006mm
L	Recess wide	Min: 43mm Max: 46mm	Min: 43mm Max: 46mm
M	Recess wide Motor side	Min: 68mm Max: 72mm	Min: 68mm Max: 72mm
N	Recess length motor side	Min: 68mm Max: 73mm	Min: 68mm Max: 73mm

### 8.3 Preparing recess profile

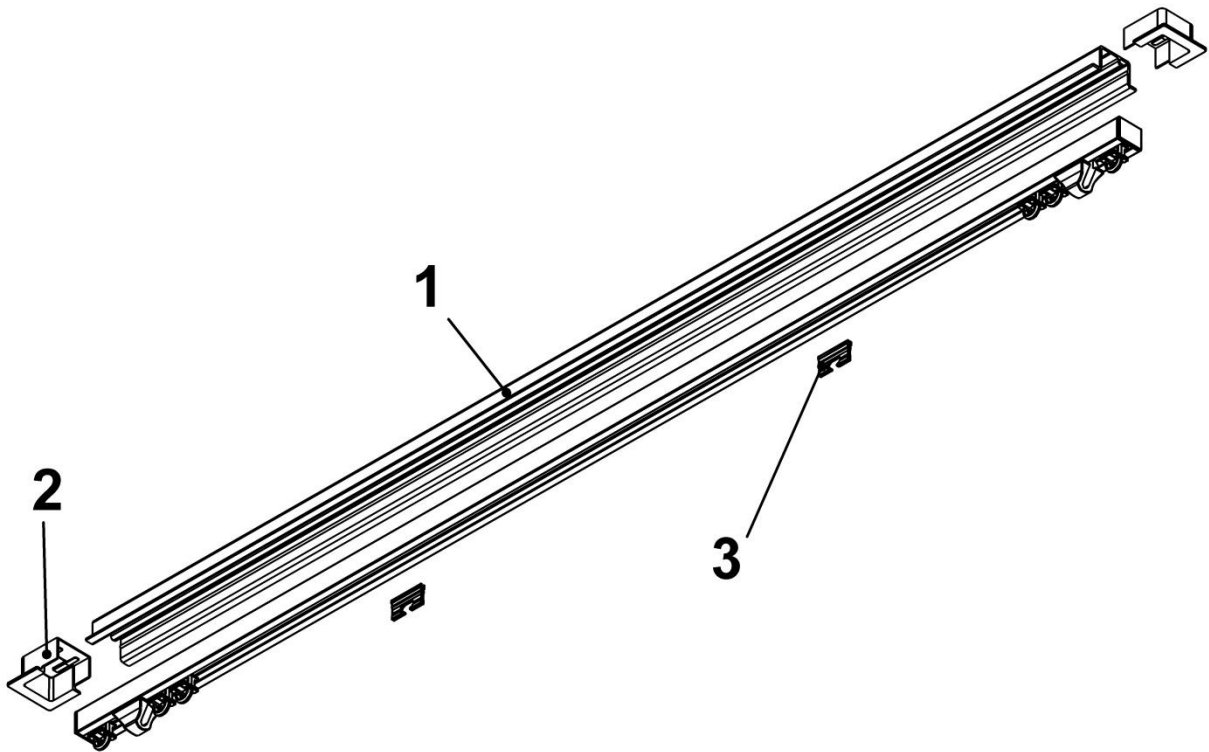
#### 8.3.1 Cut off the recess profile hook if a profile connector is used.



X = min 170mm

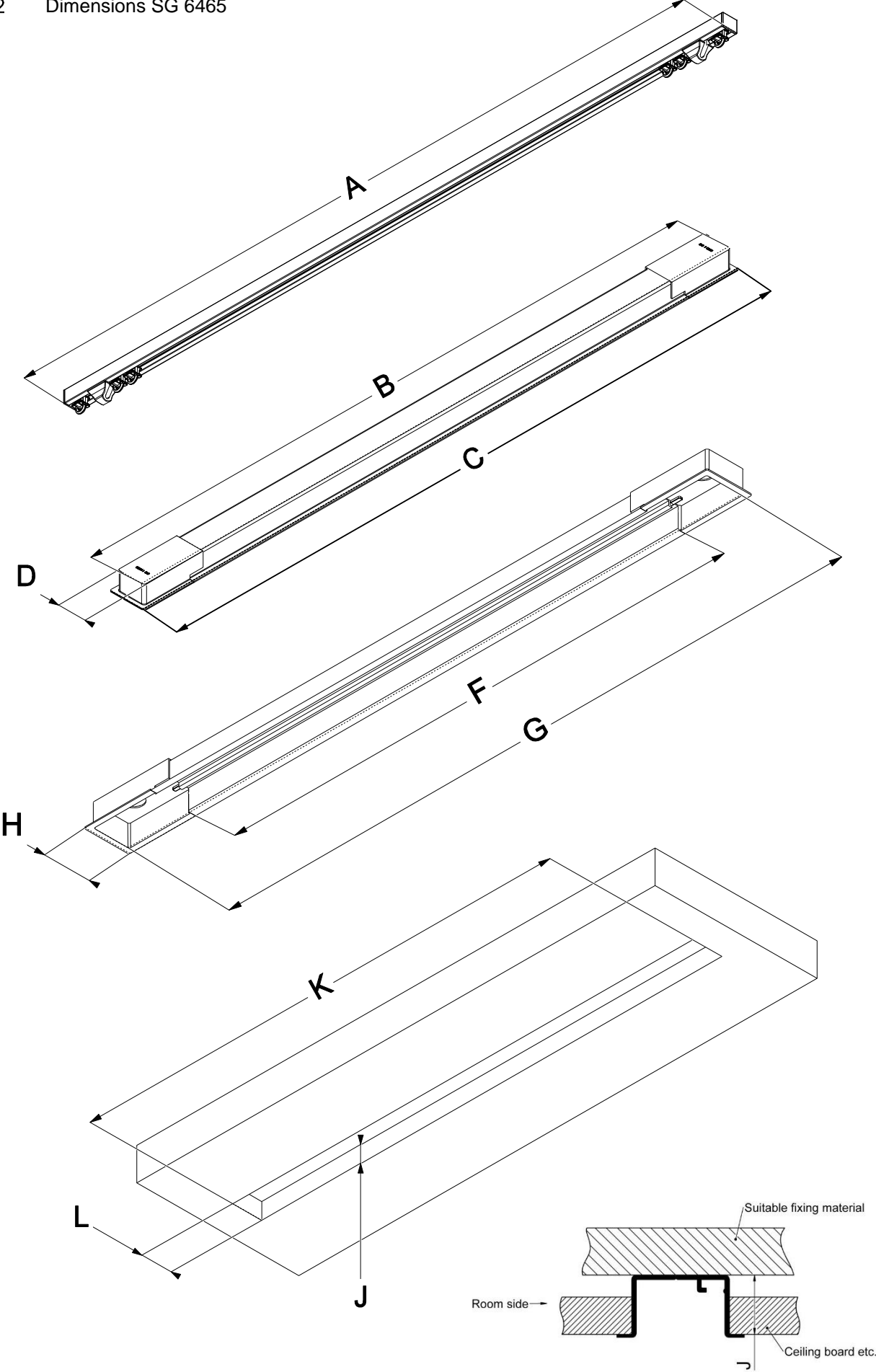


**9 SG 6465**  
 9.1 Parts list SG 6465



3	Wedge white	101123700	
2	Recess mask white	101123900	2
1	Recess profile white	101123100	1
Pos. Pos.	Titel Title	Teilenummer part number	Stück Piece

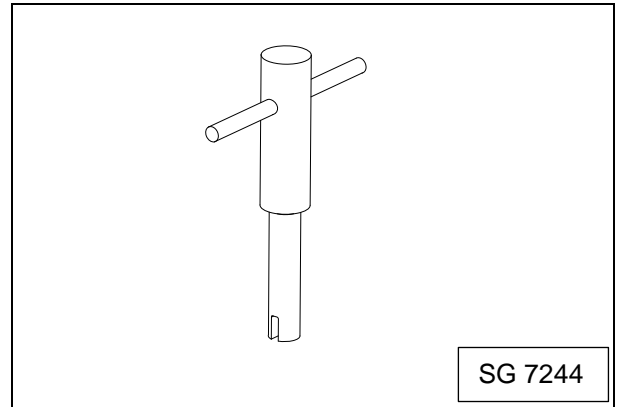
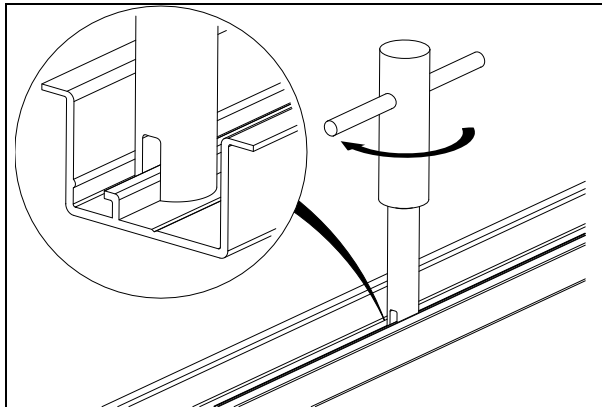
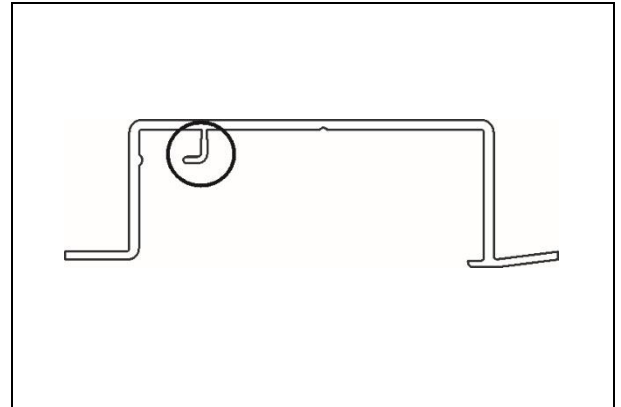
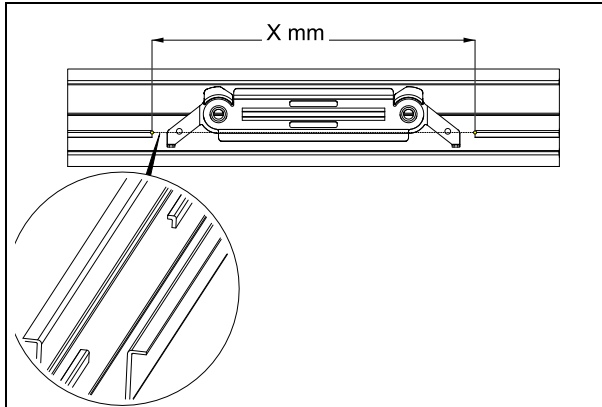
9.2 Dimensions SG 6465



Lettering	Meaning	Dimension	Example
A	System length incl. end covers	A	2000mm
B	Recess Profile length without lips	A + 6mm	2006mm
C	Total recess Profile length incl. lips	A + 16mm	2016mm
D	Recess Profile wide without lips	22mm	22mm
F	Recess Profile length	A – 25mm	1975mm
G	Recess Profile inside length	A + 4mm	2004mm
H	Total Recess Profile wide incl. lips	29mm	29mm
J	Recess depth	14mm	14mm
K	Recess length	Min: A + 7mm Max: A + 10mm	Min: 2007mm Max: 2010mm
L	Recess wide	Min: 23mm Max: 25mm	Min: 23mm Max: 25mm

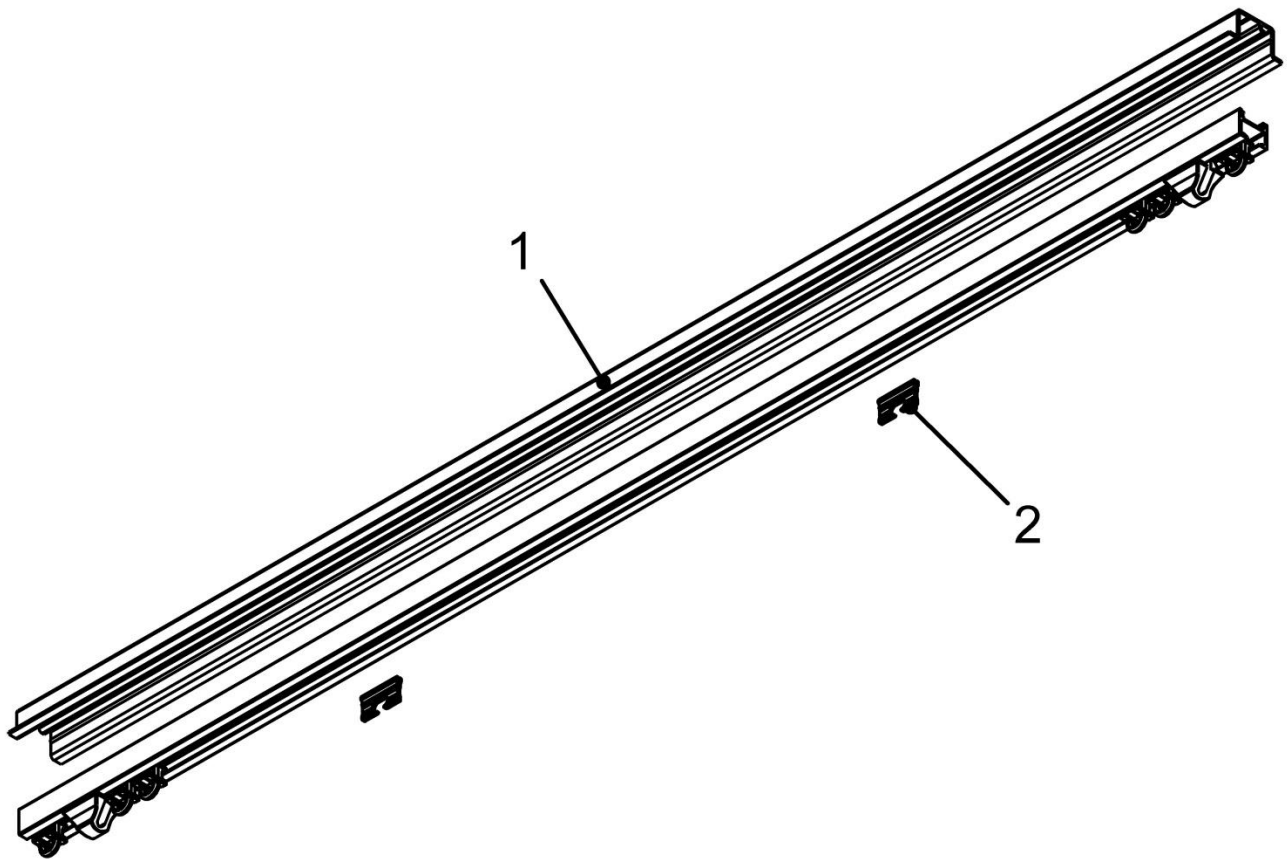
### 9.3 Preparing recess profile

#### 9.3.1 Cut off the recess profile hook if a profile connector is used.



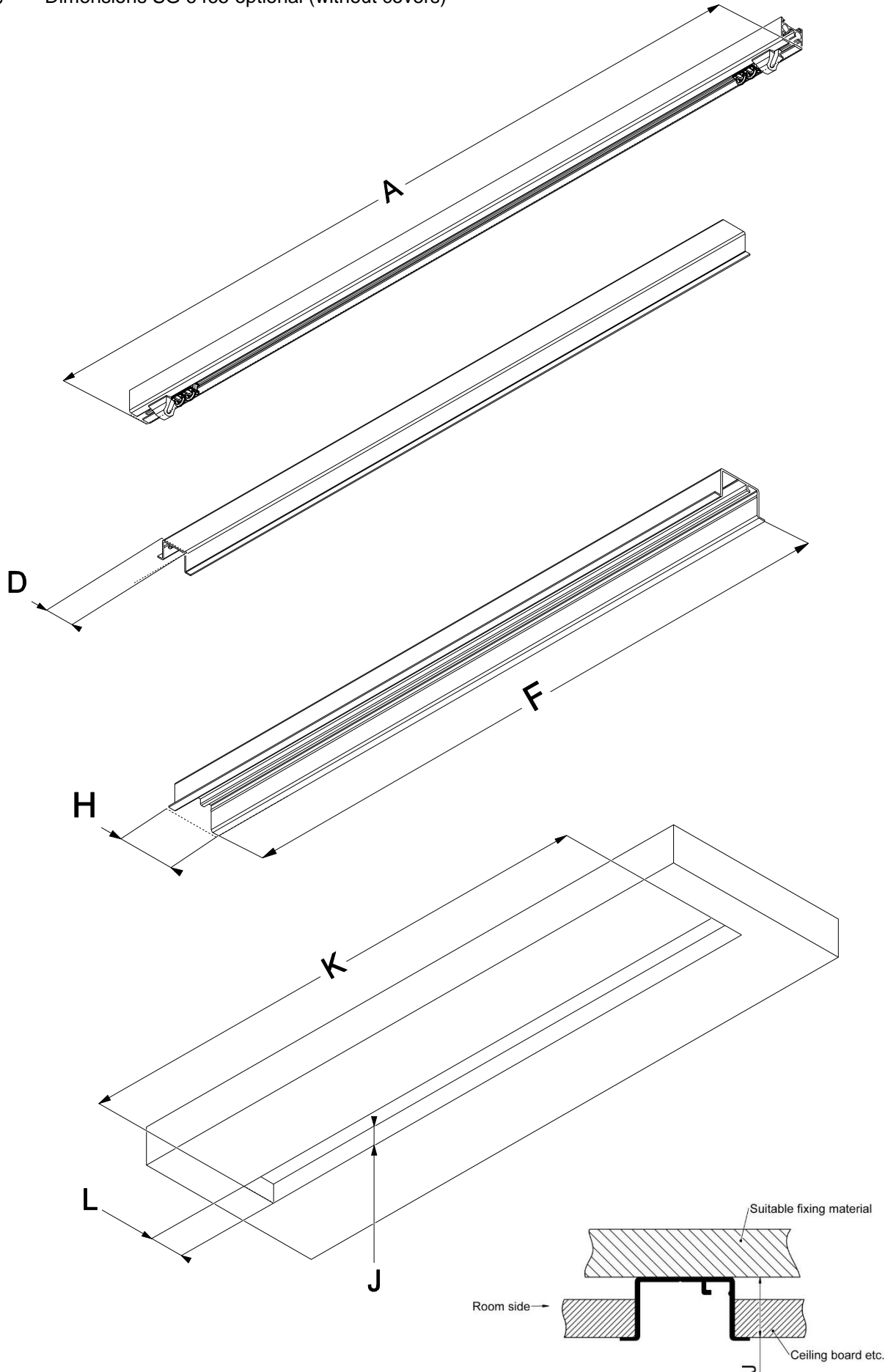
X = min 110mm

9.4 Parts list SG 6465 optional (without covers)



2	Wedge white	101123700	2
1	Recess profile white	101123100	1
Pos. Pos.	Titel Title	Teilenummer part number	Stück Piece

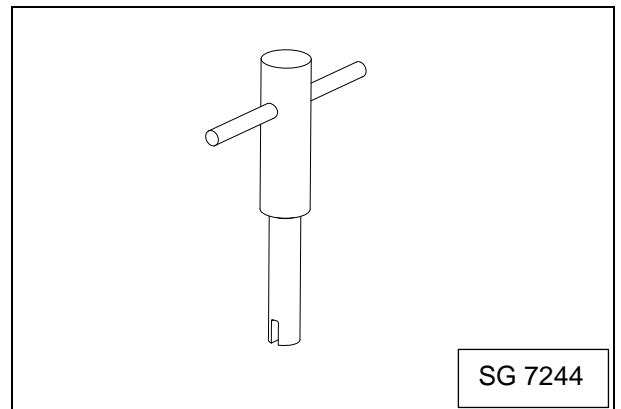
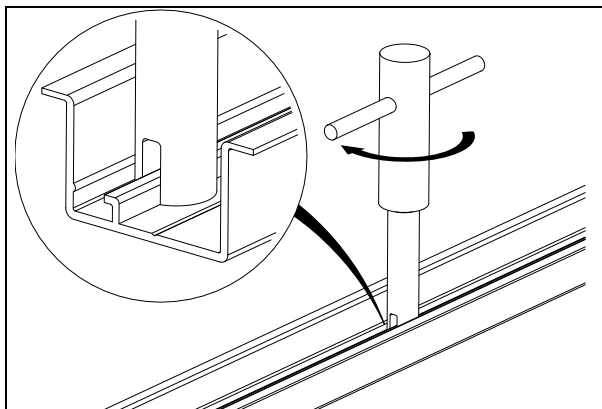
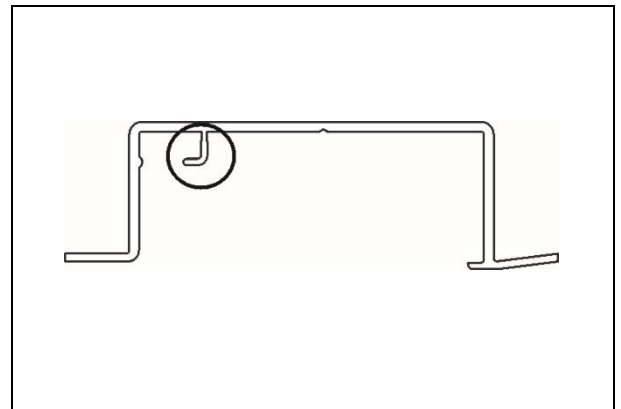
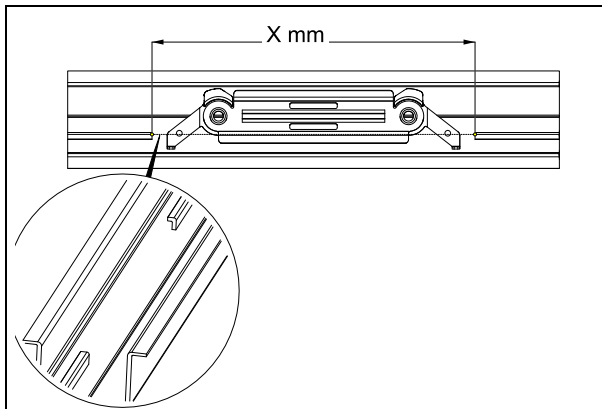
9.5 Dimensions SG 6465 optional (without covers)



Lettering	Meaning	Dimension	Example
A	System length without end covers	A	2000mm
D	Recess Profile wide without lips	22mm	32mm
F	Recess Profile length	A + 2mm	2002mm
H	Total Recess Profile wide incl. lips	29mm	29mm
J	Recess depth	14mm	14mm
K	Recess length	Min: A + 3mm	Min: 2003mm
L	Recess wide	Min: 23mm Max: 25mm	Min: 23mm Max: 25mm

## 9.6 Preparing recess profile

### 9.6.1 Cut off the recess profile hook if a profile connector is used.



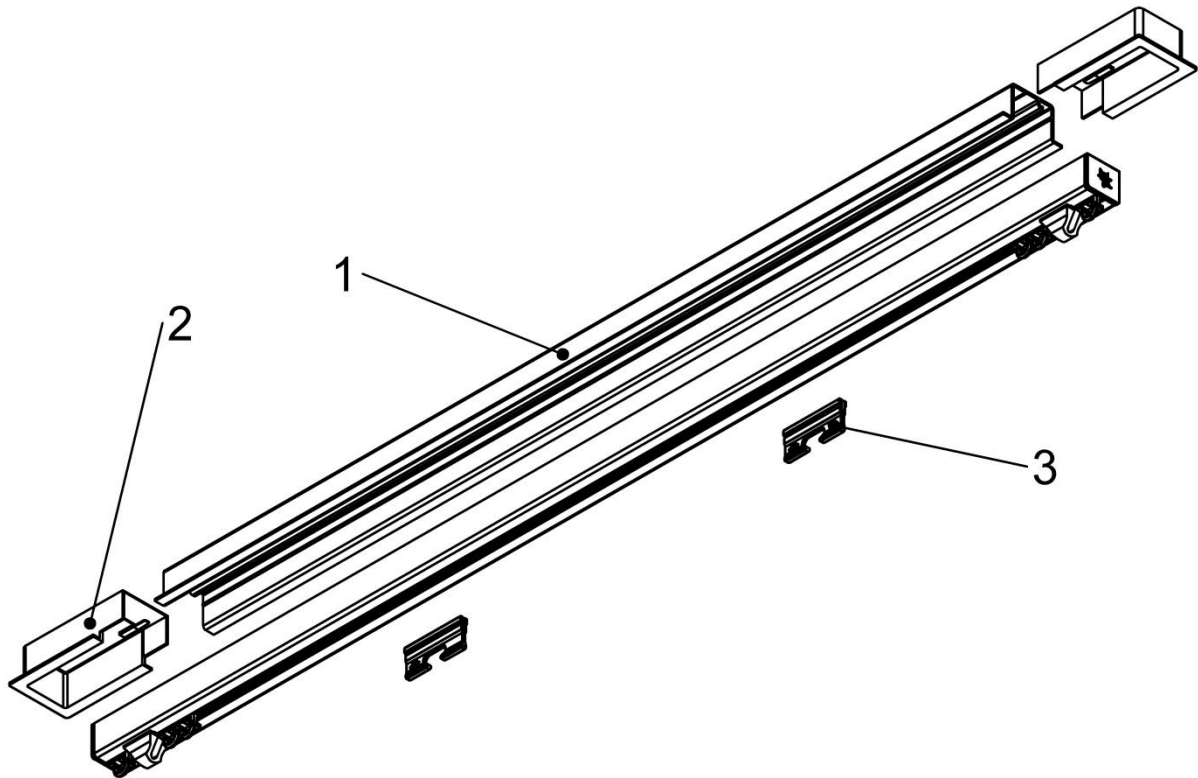
SG 7244

$X = \text{min } 110\text{mm}$



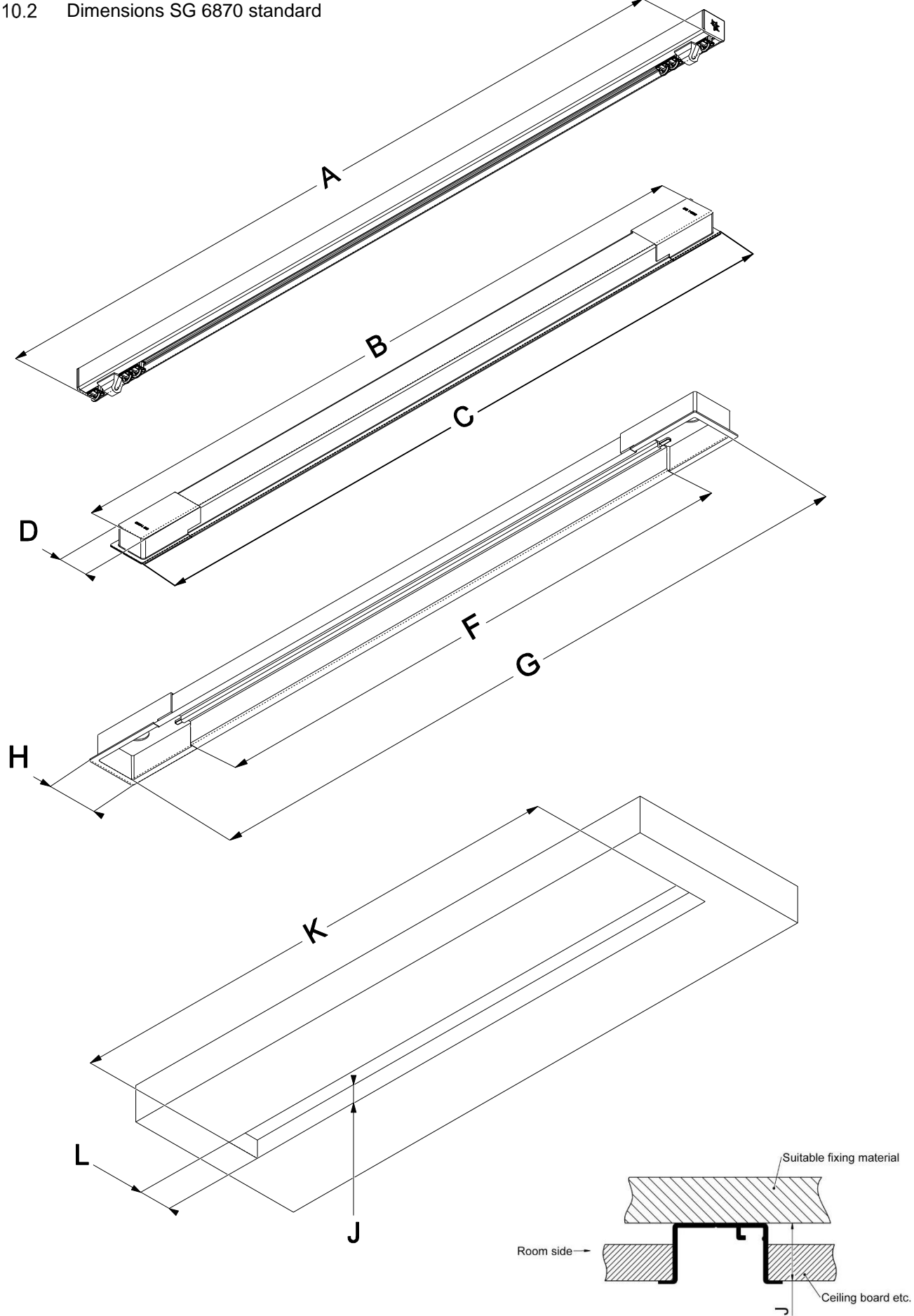
**10 SG 6870**

10.1 Parts list SG 6870 standard



3	Clamp	101015700	
2	Recess mask	101123800	2
1	Recess profile white	101123000	1
Pos. Pos.	Titel Title	Teilenummer part number	Stück Piece

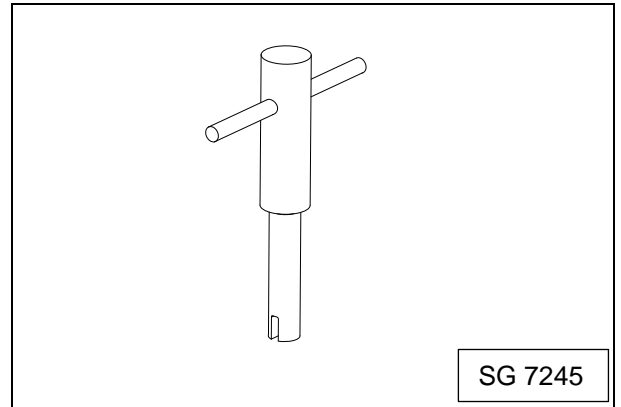
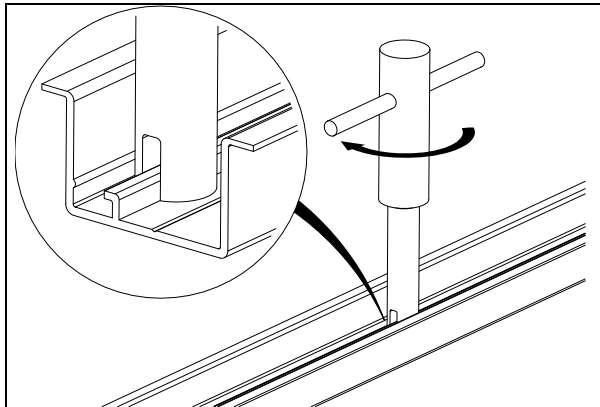
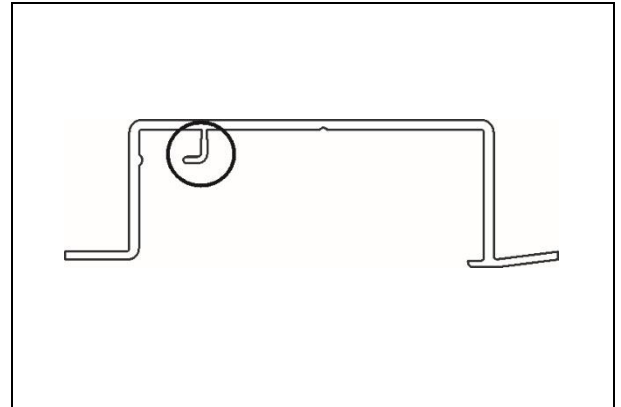
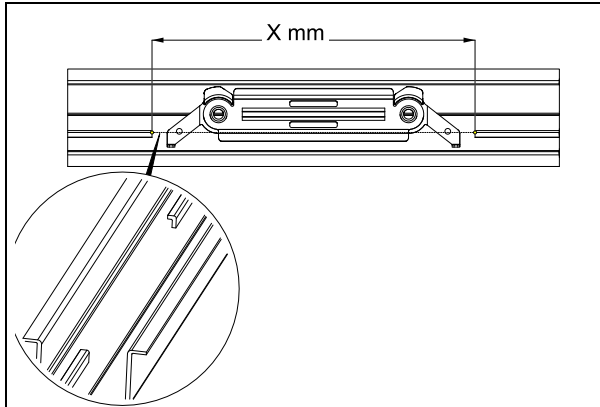
10.2 Dimensions SG 6870 standard



Lettering	Meaning	Dimension	Example
A	System length incl. end covers	A	2000mm
B	Recess Profile length without lips	A + 6mm	2006mm
C	Total recess Profile length incl. lips	A + 15mm	2015mm
D	Recess Profile wide without lips	32mm	32mm
F	Recess Profile length	A – 104mm	1896mm
G	Recess Profile inside length	A + 4	2004mm
H	Total Recess Profile wide incl. lips	41mm	41mm
J	Recess depth	21.5mm	21.5mm
K	Recess length	Min: A + 7mm Max: A + 10mm	Min: 2007mm Max: 2010mm
L	Recess wide	Min: 33mm Max: 36mm	Min: 33mm Max: 36mm

### 10.3 Preparing recess profile

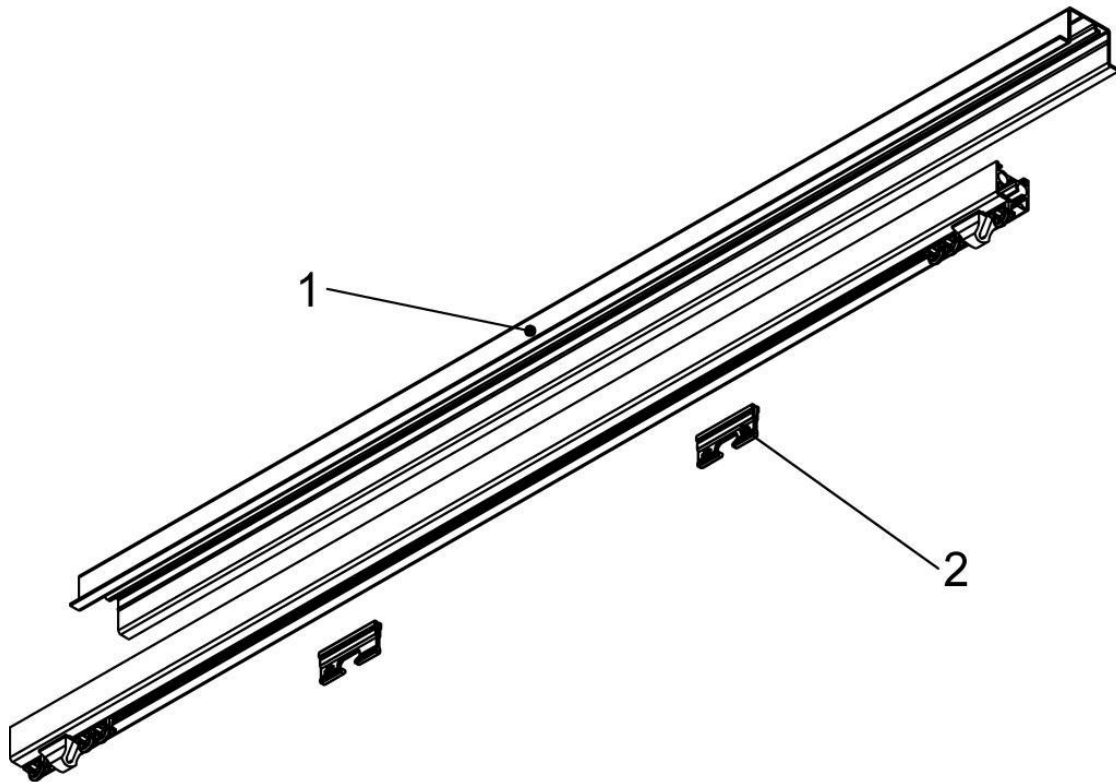
#### 10.3.1 Cut off the recess profile hook if a profile connector is used.



SG 7245

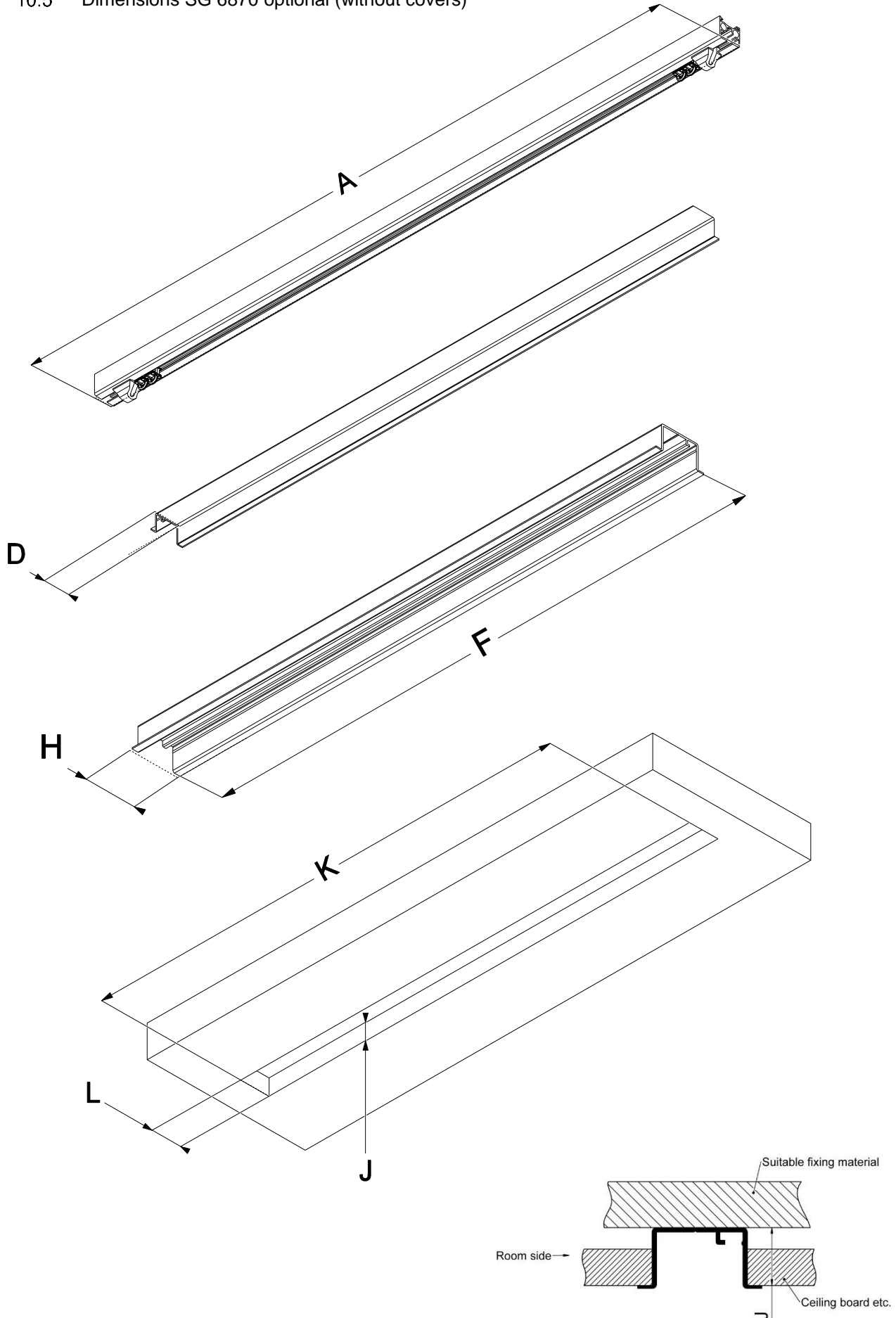
X = min 80mm

## 10.4 Parts list SG 6870 optional (without covers)



2	Clamp	101015700	
1	Recess profile white	101123000	1
Pos. Pos.	Titel Title	Teilenummer part number	Stück Piece

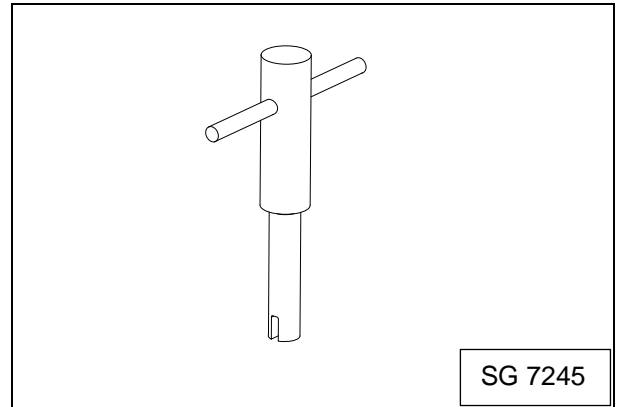
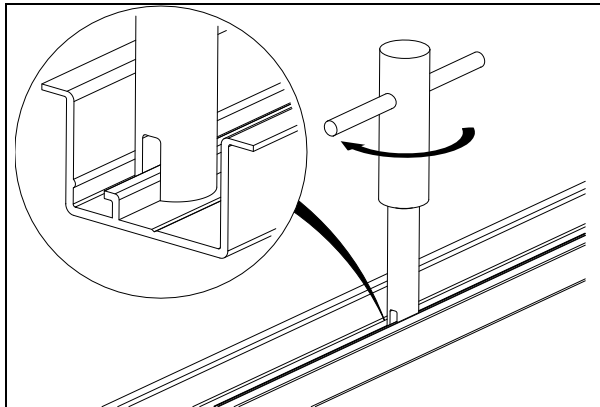
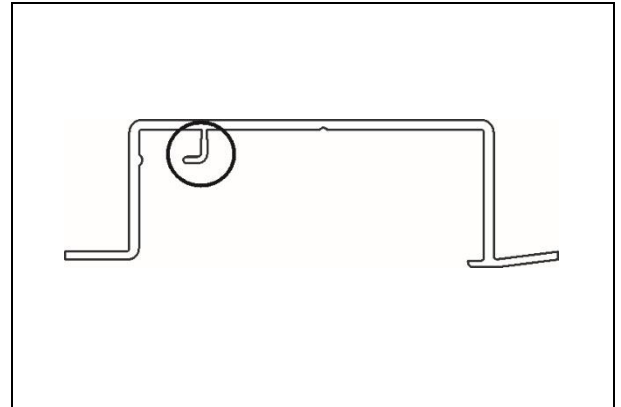
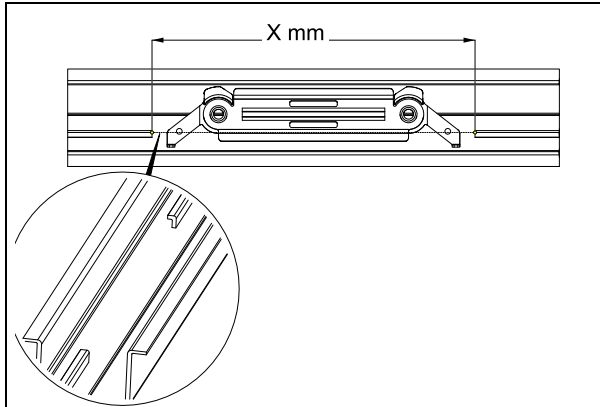
10.5 Dimensions SG 6870 optional (without covers)



Lettering	Meaning	Dimension	Example
A	System length without end covers	A	2000mm
D	Recess Profile wide without lips	32mm	32mm
F	Recess Profile length	A + 2mm	2002mm
H	Total Recess Profile wide incl. lips	41mm	41mm
J	Recess depth	21.5mm	21.5mm
K	Recess length	Min: A + 3mm	Min: 2003mm
L	Recess wide	Min: 33mm Max: 36mm	Min: 33mm Max: 36mm

## 10.6 Preparing recess profile

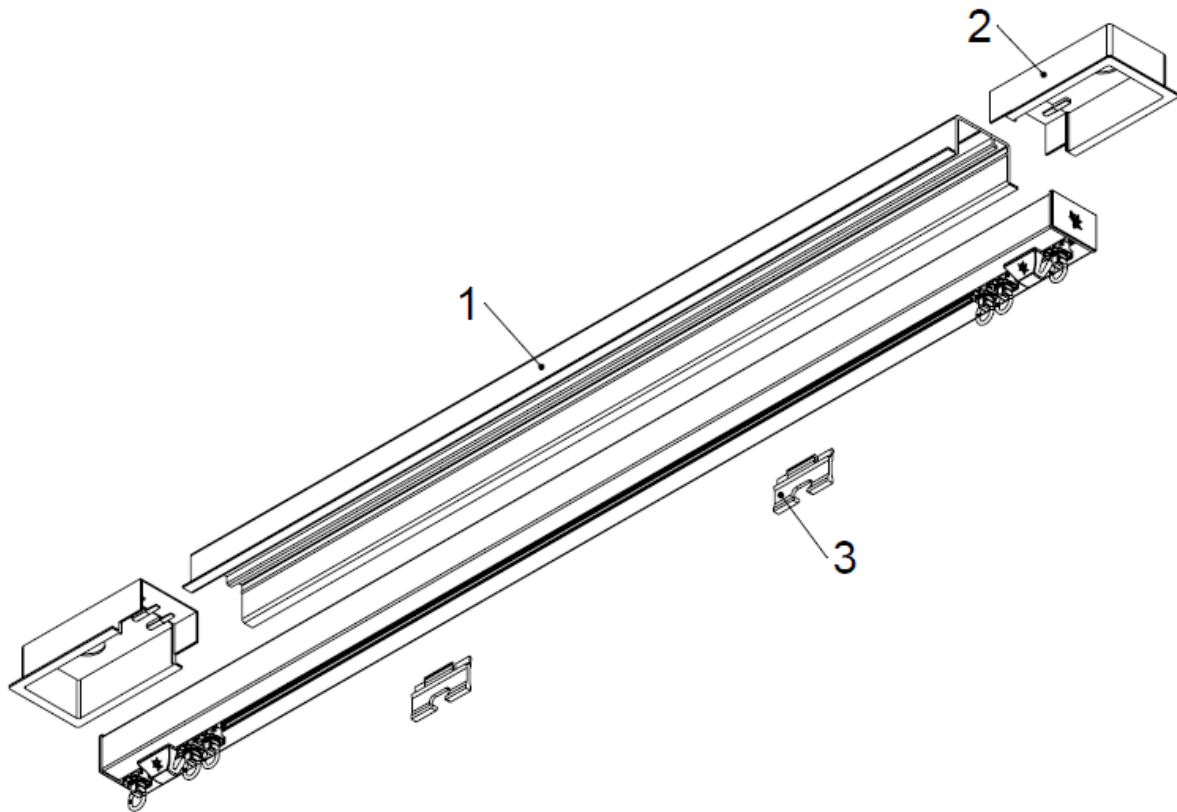
### 10.6.1 Cut off the recess profile hook if a profile connector is used.



$X = \text{min } 80\text{mm}$

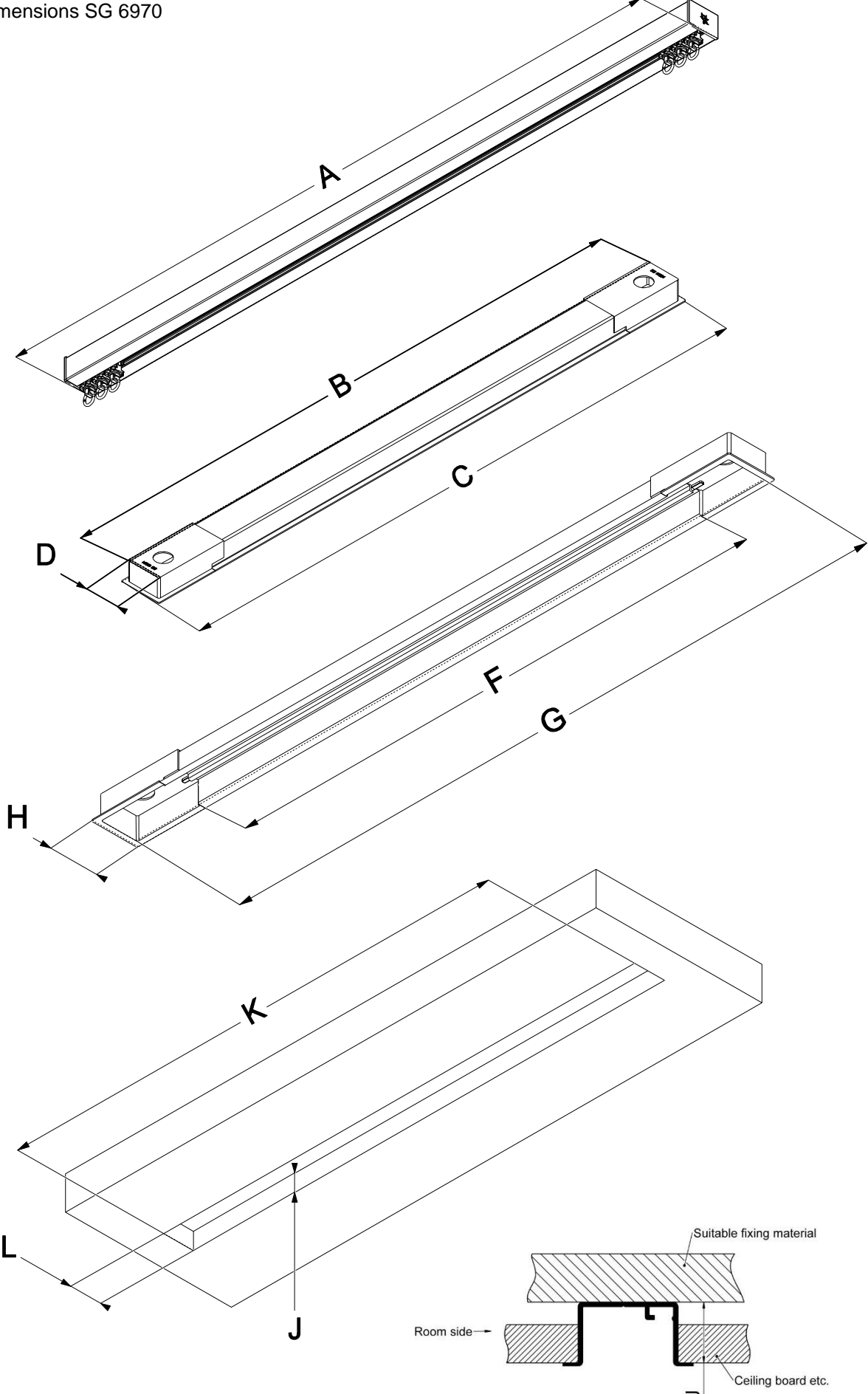


**11 SG 6970**  
 11.1 Parts list SG 6970



3	Wedge	100511800	
2	Recess mask	101086400	2
1	Recess profile white	101086200	1
Pos. Pos.	Titel Title	Teilenummer part number	Stück Piece

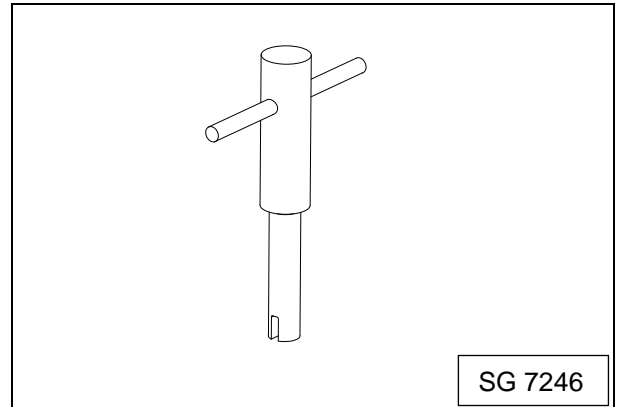
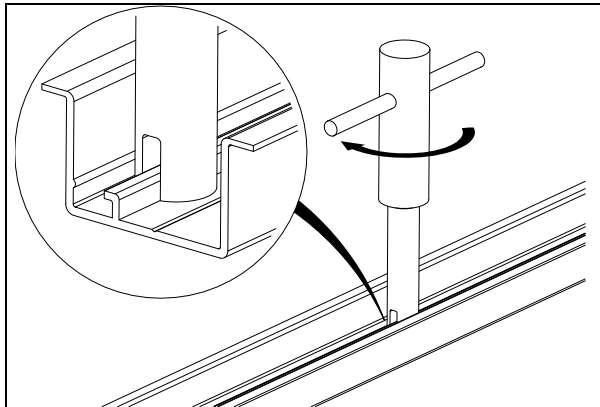
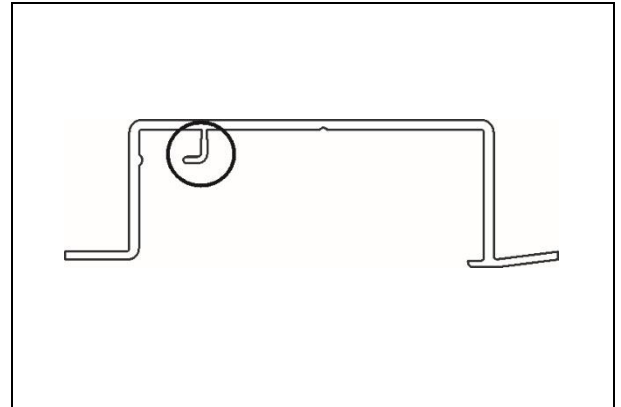
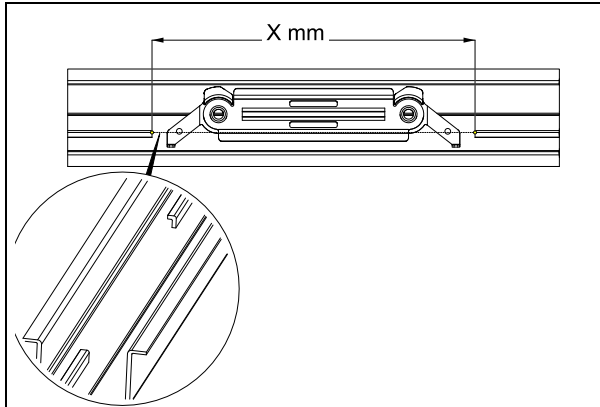
11.2 Dimensions SG 6970



Lettering	Meaning	Dimension	Example
A	System length incl. end covers	A	2000mm
B	Recess Profile length without lips	A + 6mm	2006mm
C	Total recess Profile length incl. lips	A + 15mm	2015mm
D	Recess Profile wide without lips	42mm	42mm
F	Recess Profile length	A – 138mm	1862mm
G	Recess Profile inside length	A + 4	2004mm
H	Total Recess Profile wide incl. lips	51mm	51mm
J	Recess depth	24.5mm	24.5mm
K	Recess length	Min: A + 7mm Max: A + 10mm	Min: 2007mm Max: 2010mm
L	Recess wide	Min: 43mm Max: 46mm	Min: 43mm Max: 46mm

### 11.3 Preparing recess profile

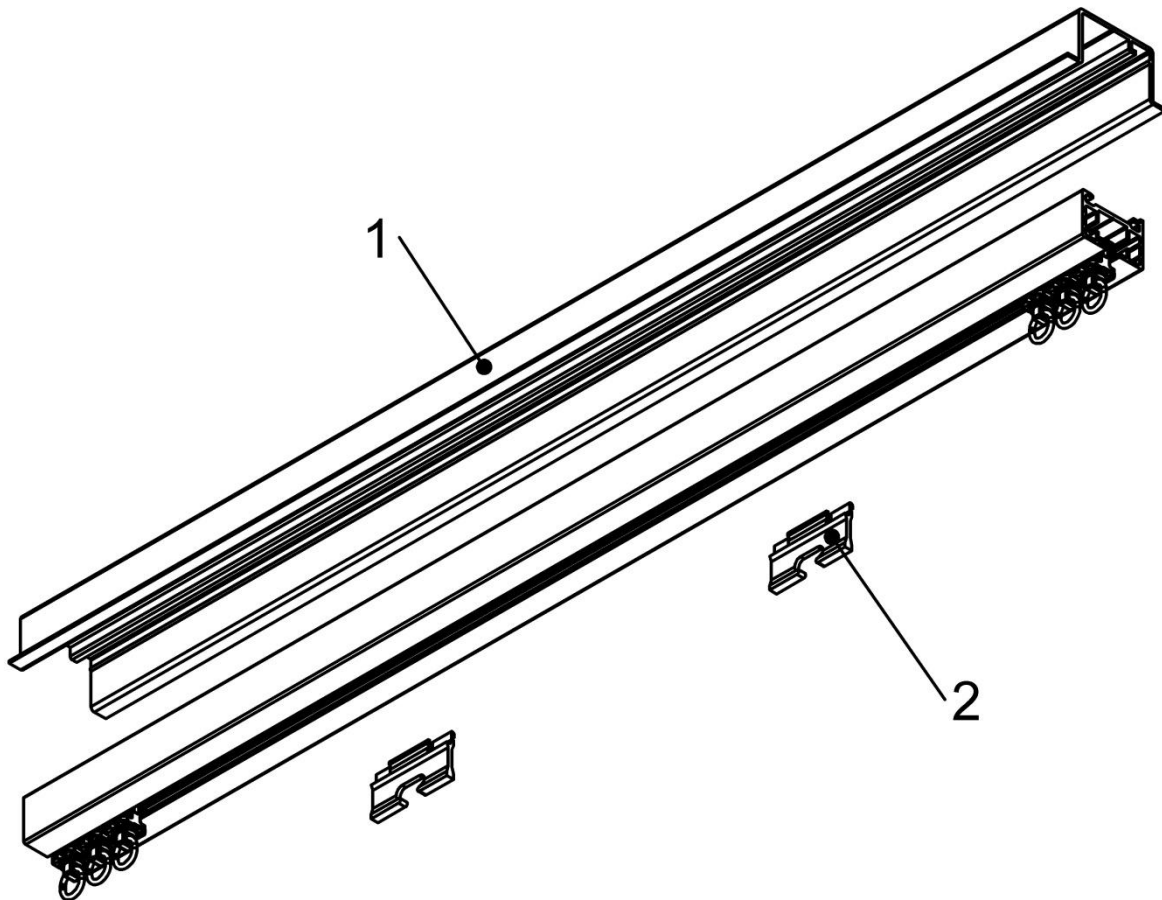
#### 11.3.1 Cut off the recess profile hook if a profile connector is used.



SG 7246

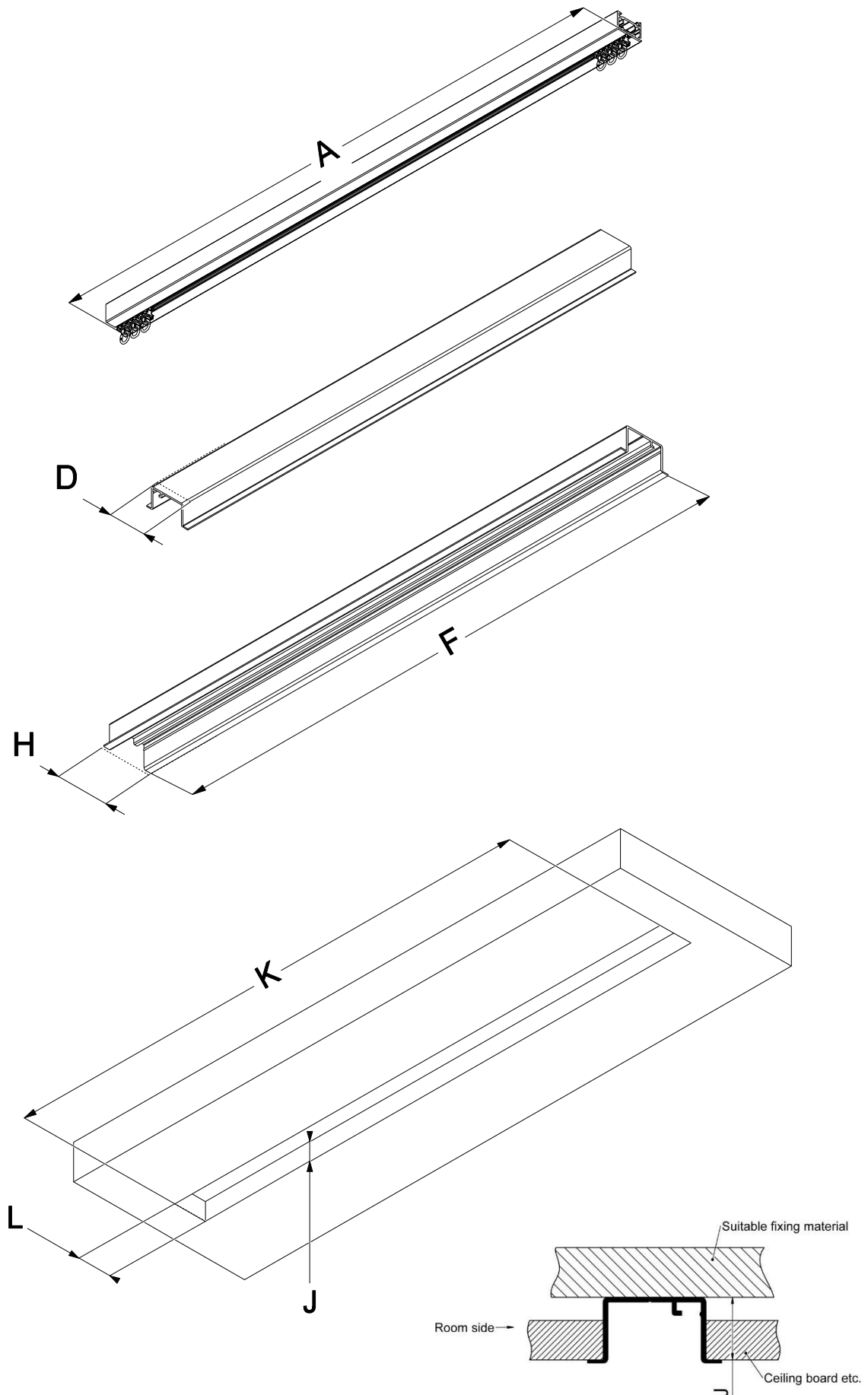
$X = \text{min } 170\text{mm}$

## 11.4 Parts list SG 6970 optional (without covers)



2	Wedge	100511800	2
1	Recess profile white RAL 9016	101086200	1
Pos. Pos.	Titel Title	Teilenummer part number	Stück Piece

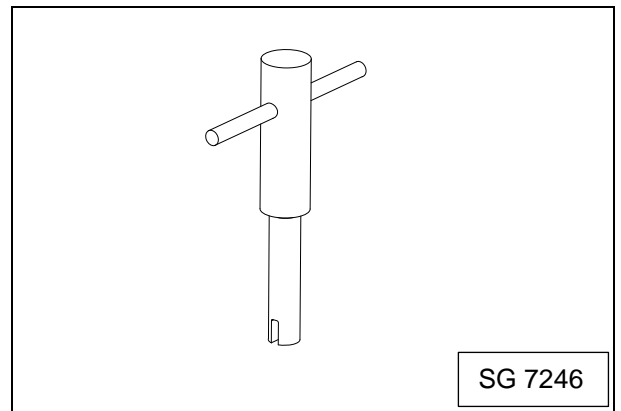
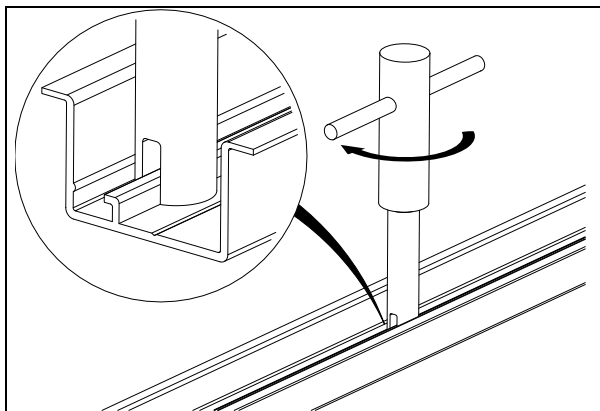
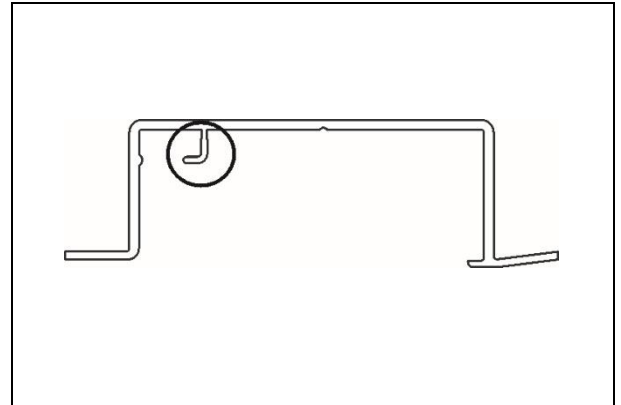
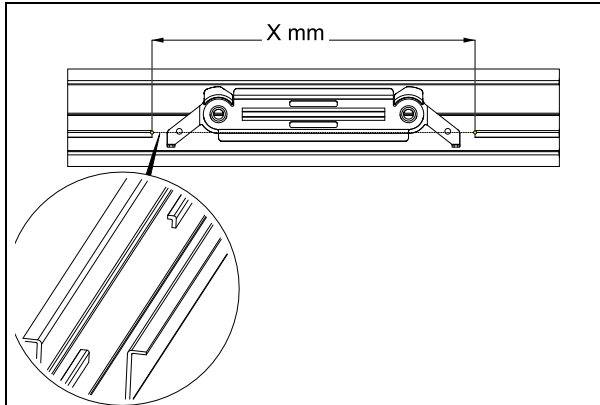
11.5 Dimensions SG 6970 optional (without covers)



Lettering	Meaning	Dimension	Example
A	System length without end covers	A	2000mm
D	Recess Profile wide without lips	42mm	42mm
F	Recess Profile length	A + 2mm	2002mm
H	Total Recess Profile wide incl. lips	51mm	51mm
J	Recess depth	24.5mm	24.5mm
K	Recess length	Min: A + 3mm	Min: 2003mm
L	Recess wide	Min: 43mm Max: 46mm	Min: 43mm Max: 46mm

## 11.6 Preparing recess profile

### 11.6.1 Cut off the recess profile hook if a profile connector is used.



$X = \text{min } 170\text{mm}$









[www.silentgliss.com](http://www.silentgliss.com)